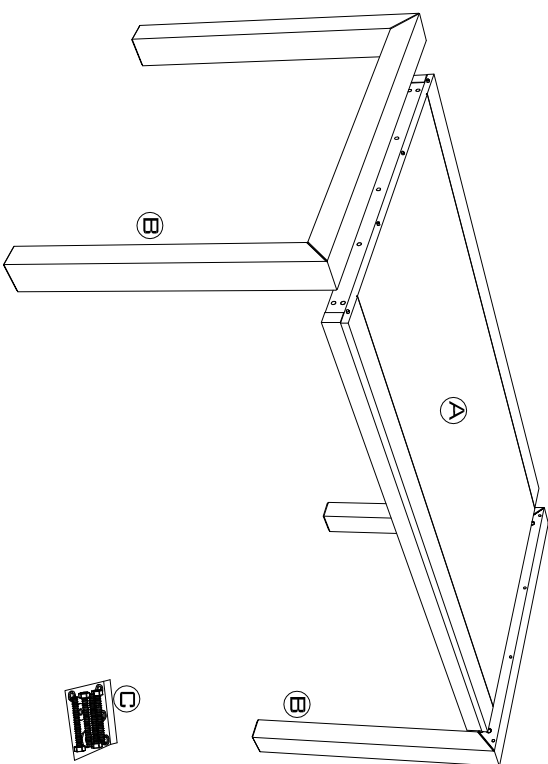
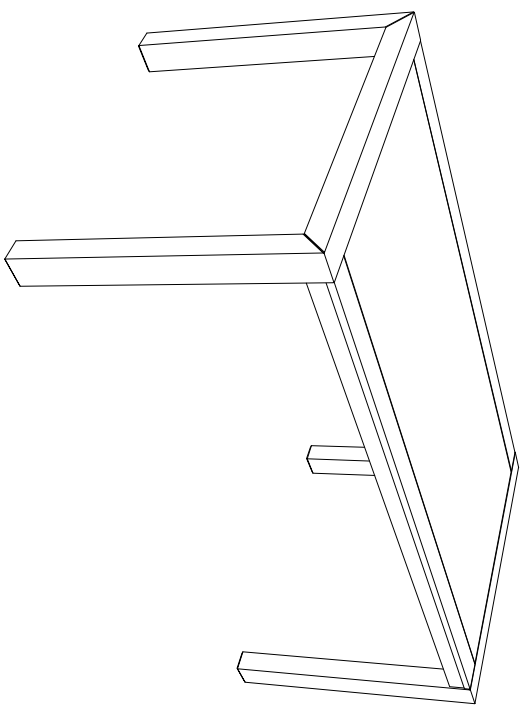






# ASSEMBLY INSTRUCTION

5261 - VDH / VDJ / ODH / ODJ / VOH / VOJ / RAH / RAJ / REH / REJ / RDH / RDJ



PARTS CHECK-LIST		
CODE	COMPONENT	QTY
A	TABLE TOP	X1
B	LEG	X2
C	FITTING PACK	X1

FITTING CHECK-LIST		
CODE	DESCRIPTION	QTY
01		X14
02		X14
03		X14
04		X1

Please do not discard any of the packaging until you have checked all the parts and the packs of fittings.

25052006

