

ASSEMBLY INSTRUCTION

5138 SWAN EXT DINING TABLE




PART CHECK LIST

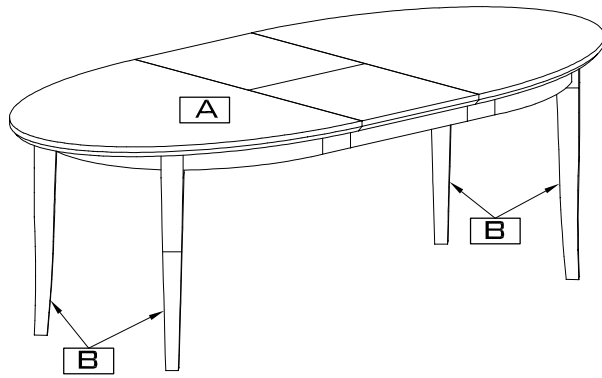
CODE	COMPONENT	QTY
------	-----------	-----

A	TABLE TOP	1
B	LEG	4

FITTING CHECK LIST

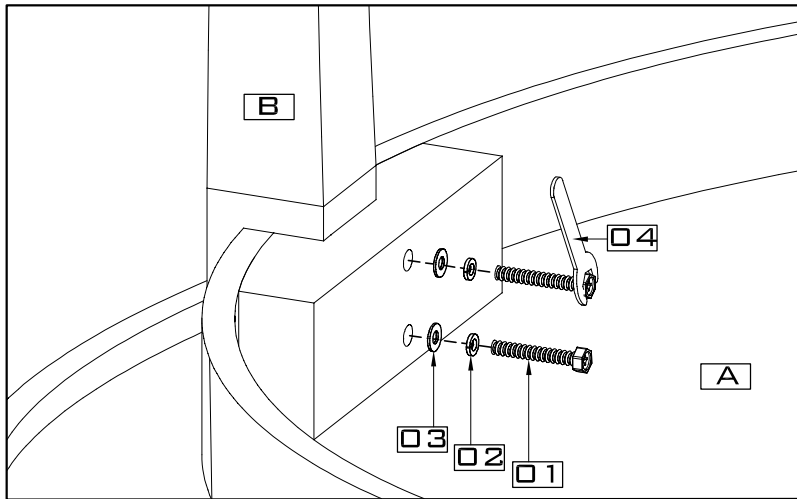
CODE	COMPONENT	QTY
------	-----------	-----

01	HEXAGON		8
02	SPRINGWASHER		8
03	FLAT WASHER		8
04	SPANNER		1



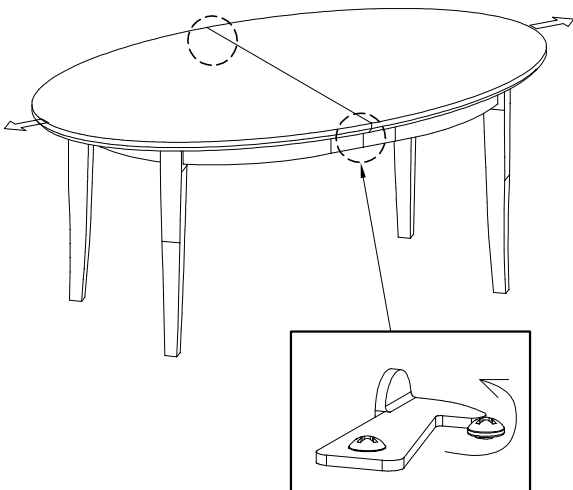
Please do not discard any of the packaging until you have checked all the parts and the packs of fittings.

1

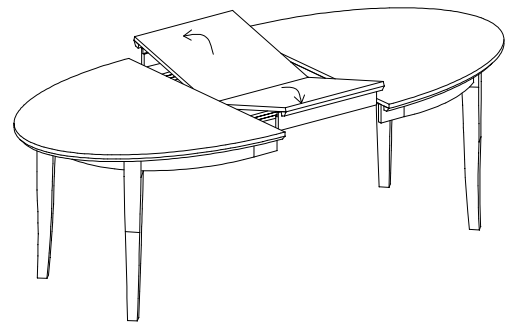


2 EXTENDING THE TABLE

I) First, unlock the level
Pull both end of table.



II) Flip open the extension table.



III) Push both the end of table
then unlock the level

