

Assembly Instruction

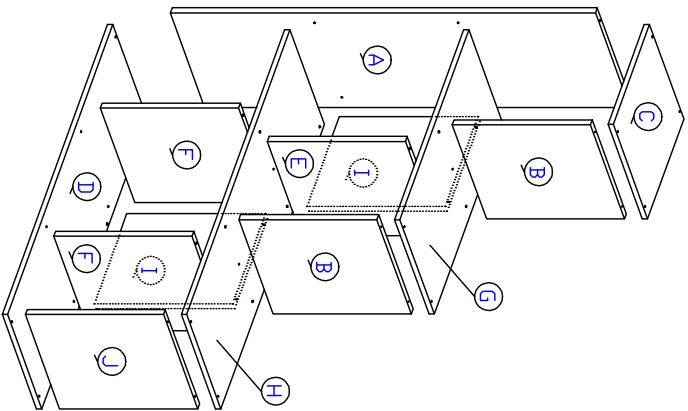


Model : IS - 1

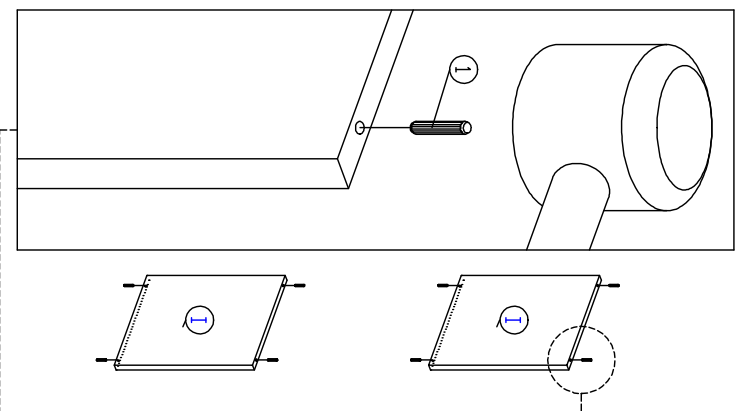
	<input checked="" type="checkbox"/>		<input checked="" type="checkbox"/>		<input checked="" type="checkbox"/>		<input checked="" type="checkbox"/>		<input checked="" type="checkbox"/>		<input checked="" type="checkbox"/>
--	-------------------------------------	--	-------------------------------------	--	-------------------------------------	--	-------------------------------------	--	-------------------------------------	--	-------------------------------------

1		2		3		4		5	
----------	--	----------	--	----------	--	----------	--	----------	--

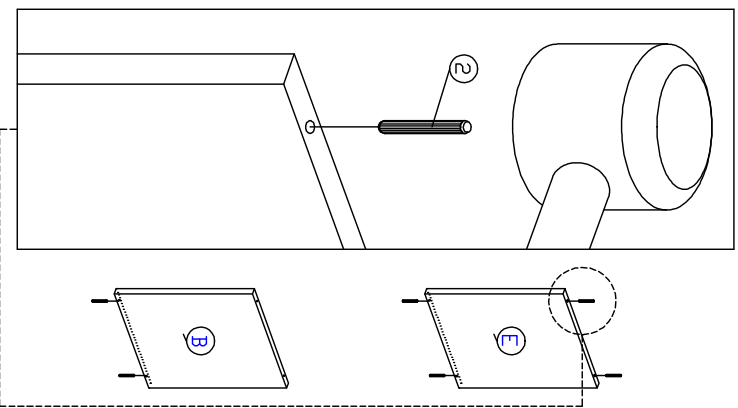
PART LIST



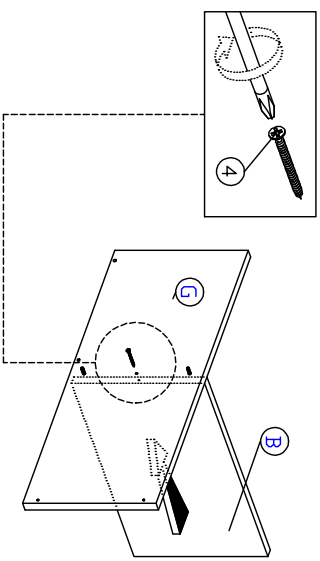
Step 1



Step 2



Step 3



Step 4

