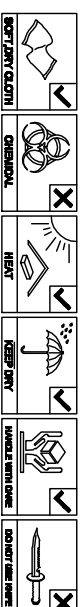






Assembly Instruction

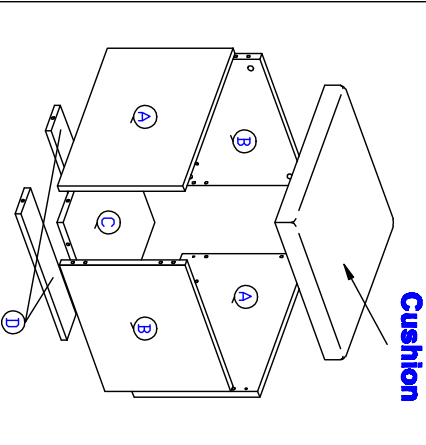


Model : CTS - 1190

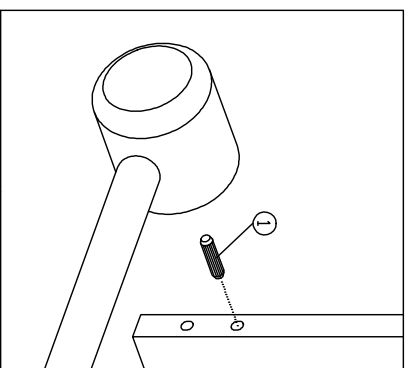


1		2		3		4	
	8 x 25mm		3.5 x 15mm		3 a 3 b		
	1X16		1X16		12 Sets		
							1X4

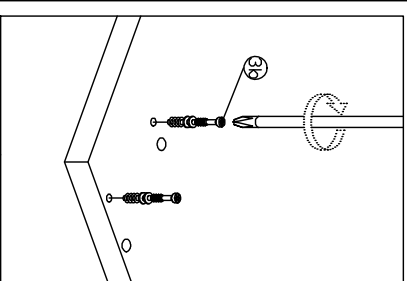
PART LIST



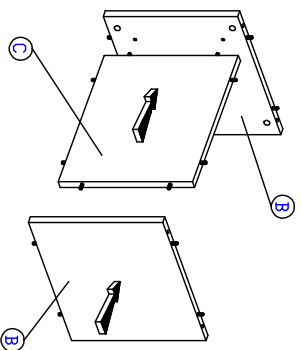
Step 1



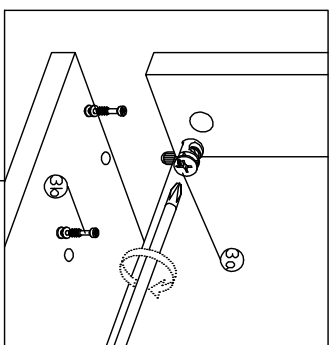
Step 2



Step 3



Step 4



Step 5

