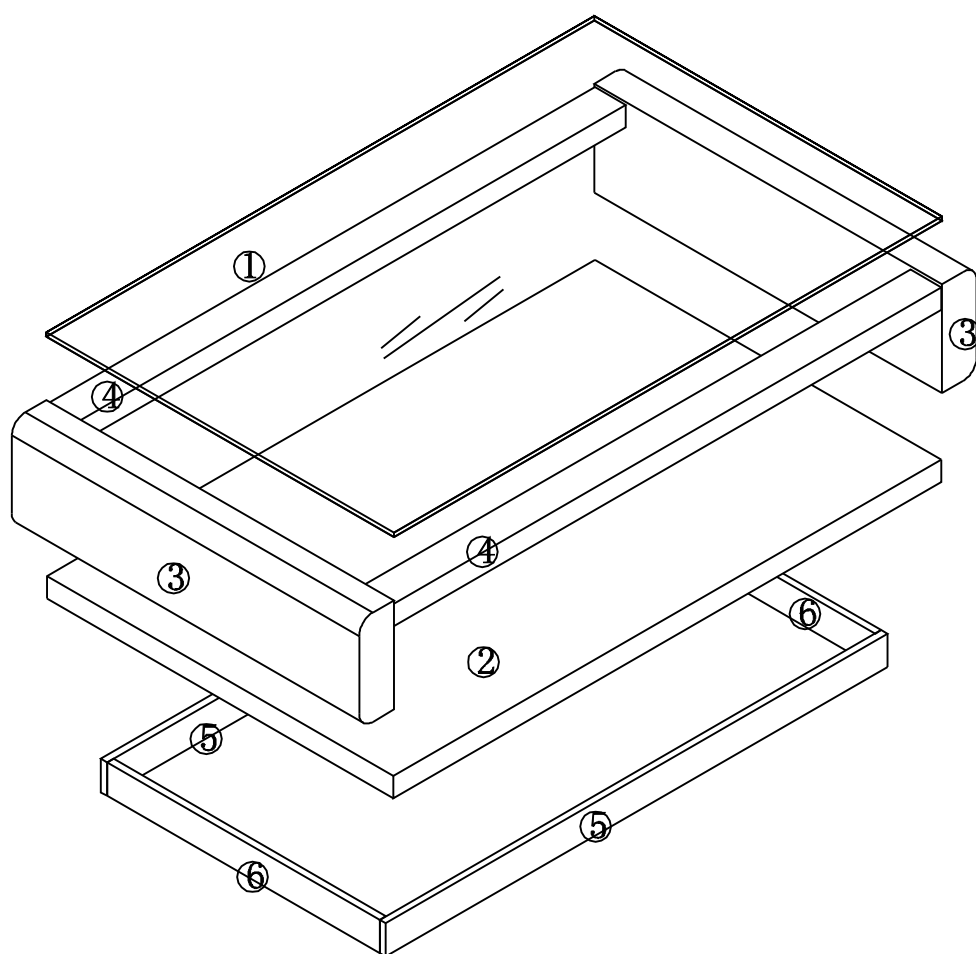
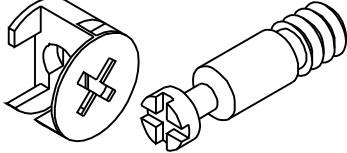
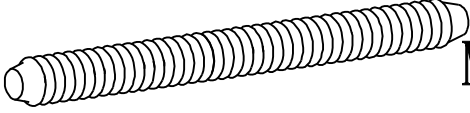
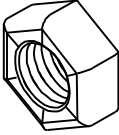
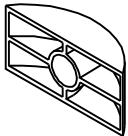
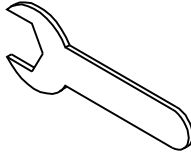
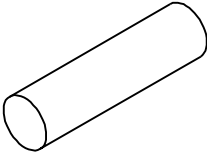
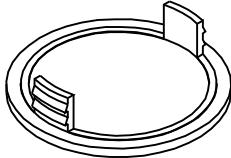


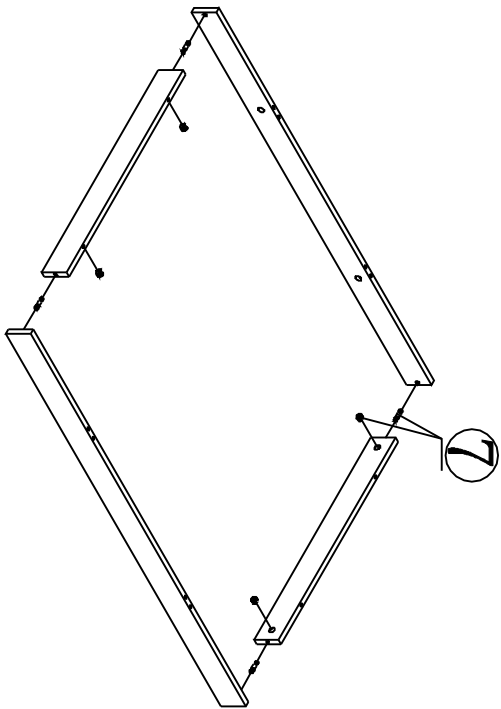
673A1.2



⑦		$\phi 15$	X8
⑧		M8X95	X8
⑨		M8	X8
⑩			X8
⑪		14mm	X1
⑫		$\phi 8X30$	X14
⑬		$\phi 38$	X4

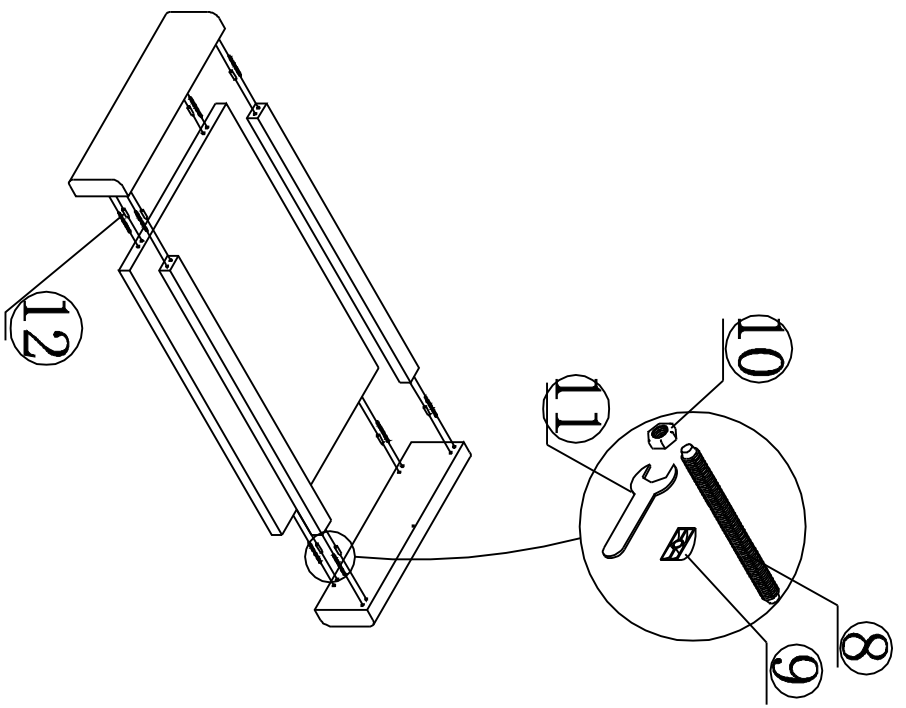






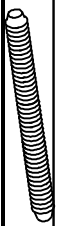
1



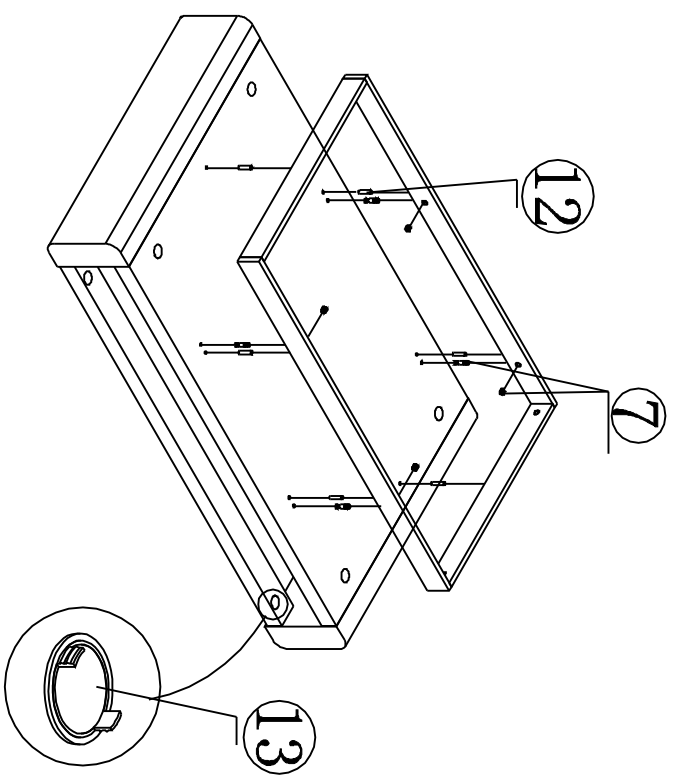
7  X4

2



- | | | |
|----|---|----|
| 12 |  | X8 |
| 11 |  | X1 |
| 10 |  | X8 |
| 9 |  | X8 |
| 8 |  | X8 |

3



13		X4
12		X6
7		X4

4

