

ASSEMBLY INSTRUCTIONS

Read this instruction carefully. See hardware and furniture part list for guidance. Be sure all parts are complete, before you assemble. Place all wooden furniture parts on a clean and flat soft surface to prevent from being scratched. Follow the figure to start assembling.

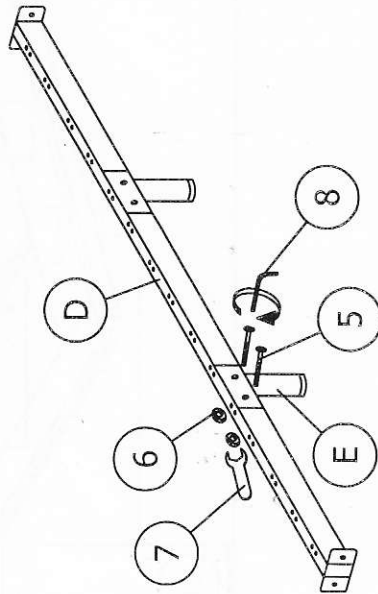
- CAUTIONS :**
1. Do not FULLY - TIGHTEN the nut or bolt until all nut or bolt is ready assembled.
 2. Do not OVER - TIGHTEN the nut or bolt to avoid causing damages to the thread.
 3. Keep all hardware parts out of reach of children.

NOTE : THE LIST AND QUANTITY SHOWN ARE FOR 1 UNIT ASSEMBLY.

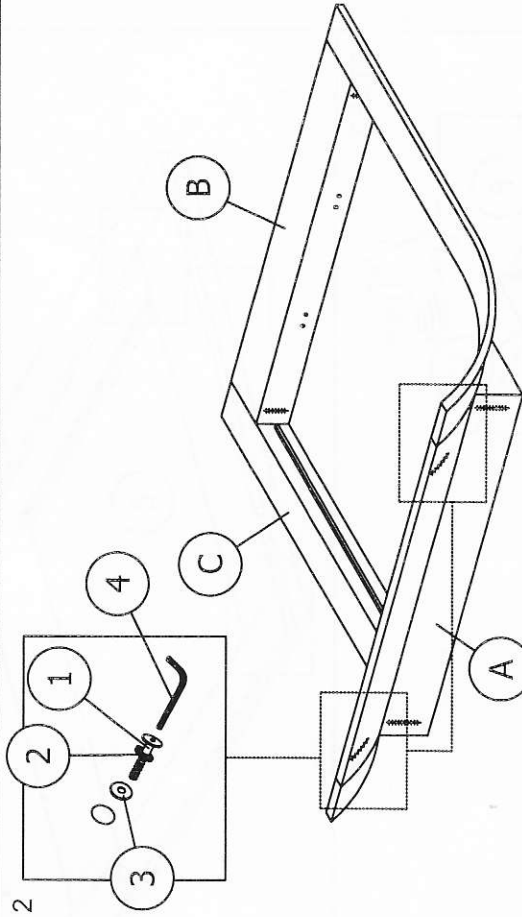
PART LIST		
ITEM	DESCRIPTION	QTY
A	HEADBOARD	1 PC
B	FOOTBOARD	1 PC
C	SIDE RAIL	2 PCS
D	CENTER RAIL	2 PCS
E	CENTER SUPPORT LEG	4 PCS
F	BED SLAT	39 PCS

PART LIST		
ITEM	DESCRIPTION	QTY
1	JCBB BOLT M8 x 50mm	12 PCS
2	5/16" SPRING WASHER	12 PCS
3	5/16" FLAT WASHER	12 PCS
4	M5 ALLEN KEY	1 PC
5	JCBC BOLT M6 x 40mm	8 PCS
6	M6 HEX NUT	8 PCS
7	SPANNER (10mm)	1 PC
8	M4 ALLEN KEY	1 PC
9	JCBC BOLT M6 x 20mm	8 PCS
10	M6 SPRING WASHER	8 PCS
11	BED SLAT SIDE FITTER	26 PCS
12	BED SLAT CENTER FITTER	26 PCS

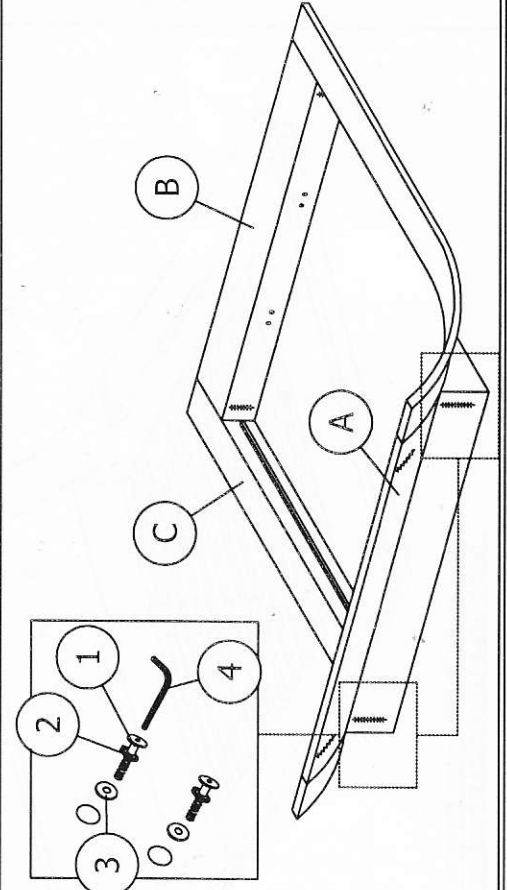
STEP 1



STEP 2



STEP 3



STEP 4

