

Read this instruction carefully. See hardware and furniture part list for guidance. Be sure all parts are complete, before you assemble. Place all wooden furniture parts on a clean and flat soft surface to prevent from being scratched. Follow the figure to start assembling.

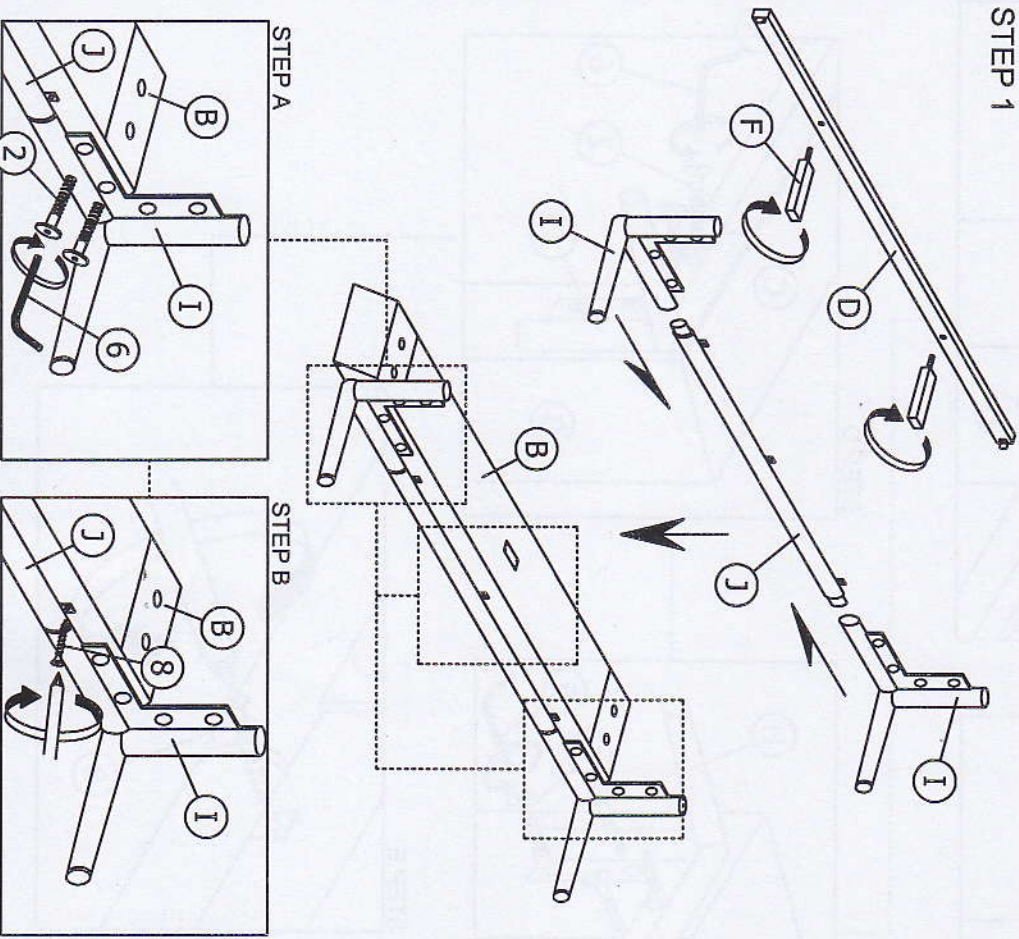
- CAUTIONS :**
1. Do not FULLY - TIGHTEN the nut or nut bolt until all nut or bolt is ready assembled.
  2. Do not OVER - TIGHTEN the nut or bolt to avoid causing damages to the thread.
  3. Keep all hardware parts out of reach of children.

**NOTE : THE LIST AND QUANTITY SHOWN ARE FOR 1 UNIT ASSEMBLY.**

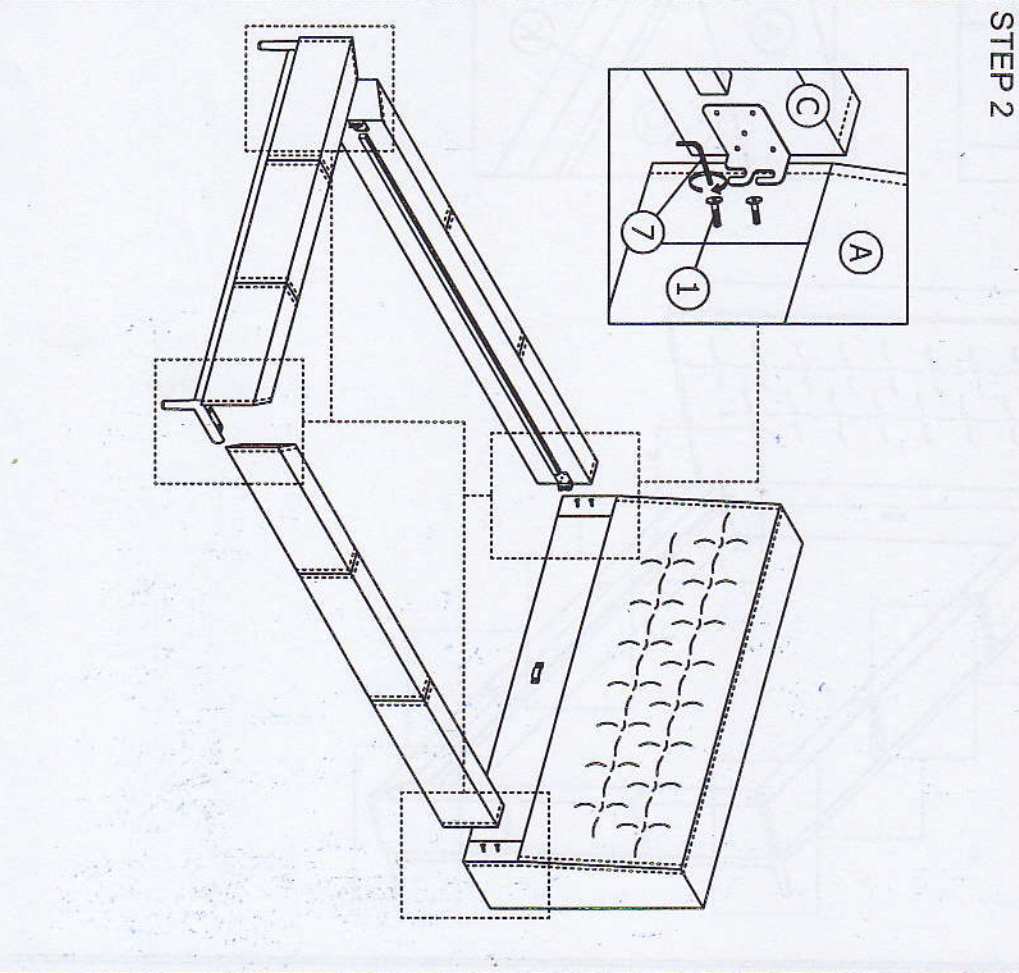
PART LIST		
ITEM	DESCRIPTION	QTY
A	HEADBOARD	1 PC
B	FOOTBOARD	1 PC
C	SIDE RAIL	2 PCS
D	CENTER RAIL	1 PC
E	CENTER SUPPORT	2 PCS
F	CENTER SUPPORT LEG	2 PCS
G	BED SLAT	26 PCS
H	HEADBOARD BED LEG	2 PCS
I	FOOTBOARD BED LEG	2 PCS
J	FB METAL SUPPORT (1355mm)	1 PC
K	SR METAL SUPPORT (1960mm)	2 PCS

PART LIST		
ITEM	DESCRIPTION	QTY
1	JCBB BOLT M8 x 30mm	8 PCS
2	JCBC BOLT M6 x 20mm	16 PCS
3	BED SLAT SIDE FITTER	26 PCS
4	BED SLAT CENTER FITTER	13 PCS
5	WOOD SCREW M3.5 x 16mm	8 PCS
6	M4 ALLEN KEY	1 PC
7	M5 ALLEN KEY	1 PC
8	WOOD SCREW M4 x 25mm	9 PCS

**STEP 1**

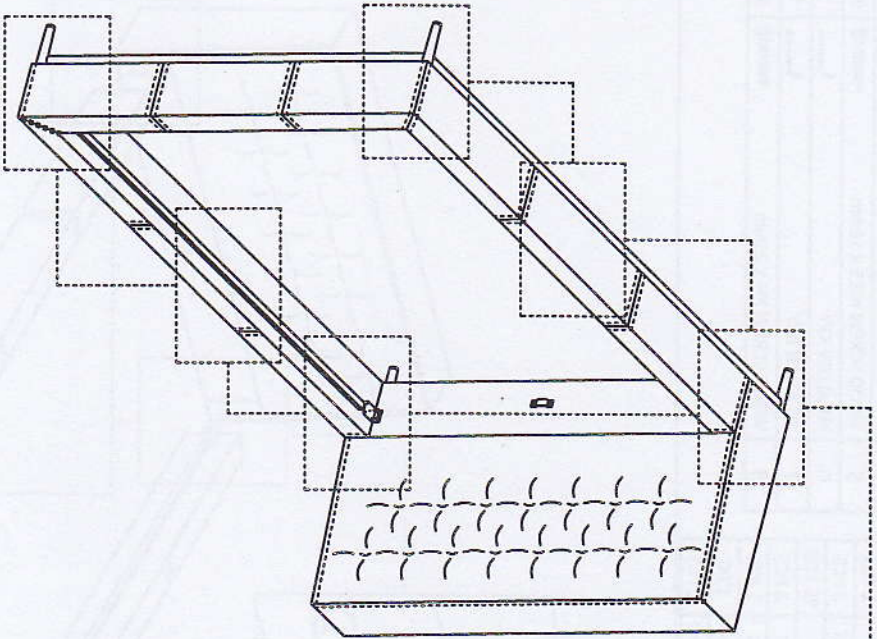


**STEP 2**

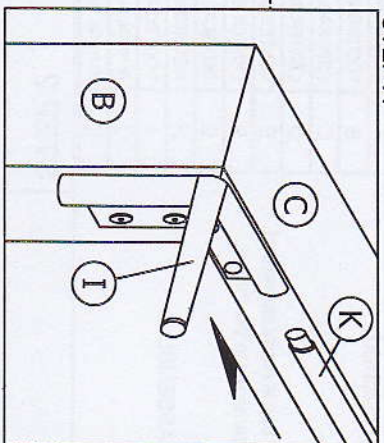


# ASSEMBLY INSTRUCTIONS

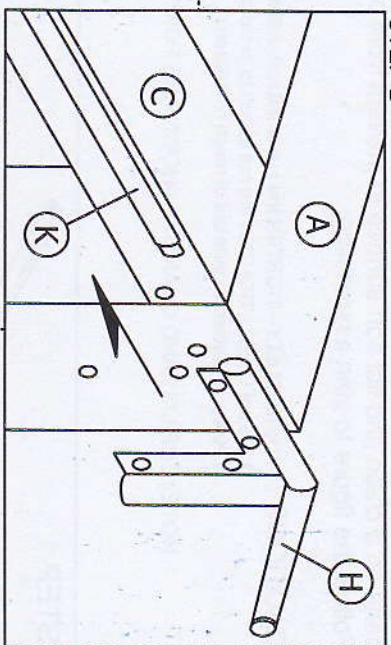
## STEP 3



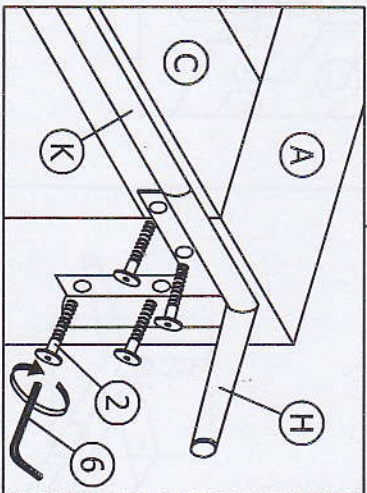
### STEP A



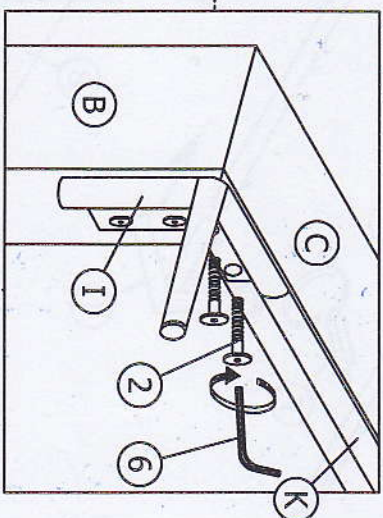
### STEP B



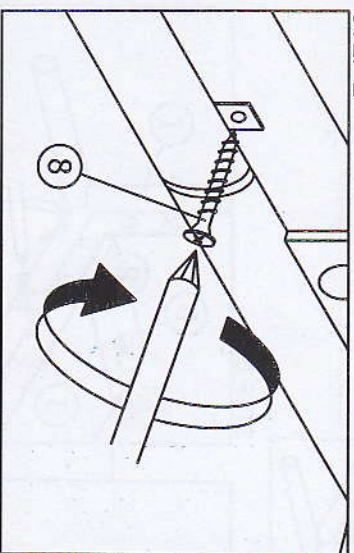
### STEP C



### STEP D

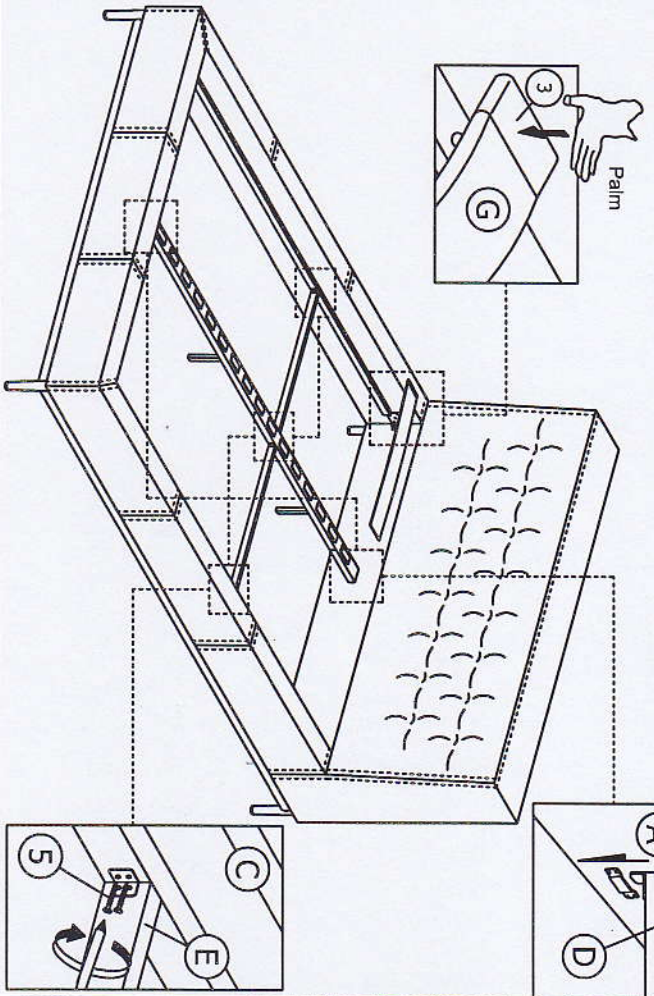


### STEP E

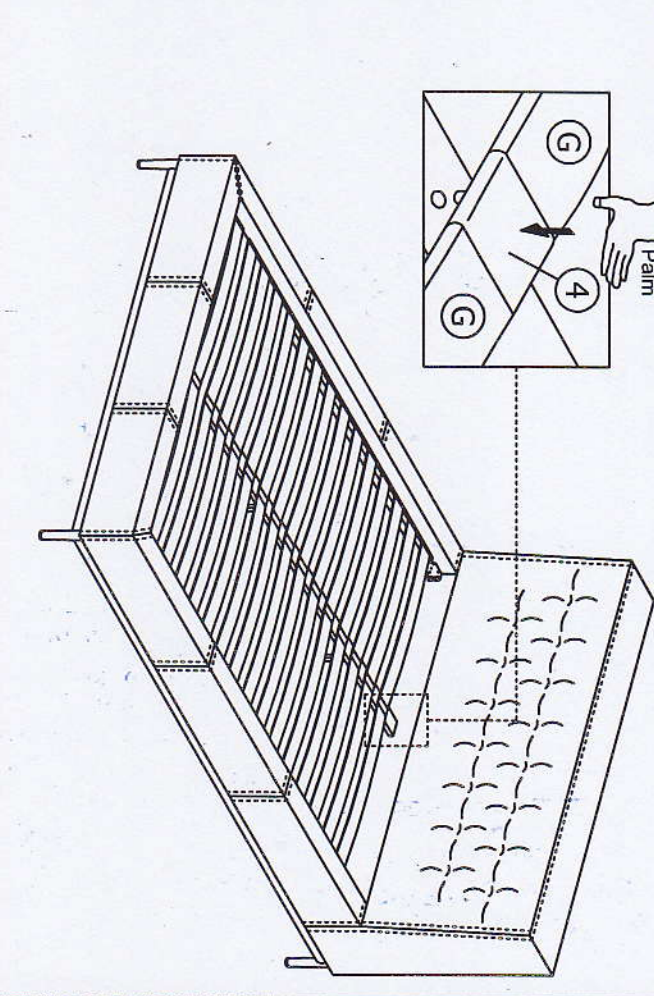


# ASSEMBLY INSTRUCTIONS

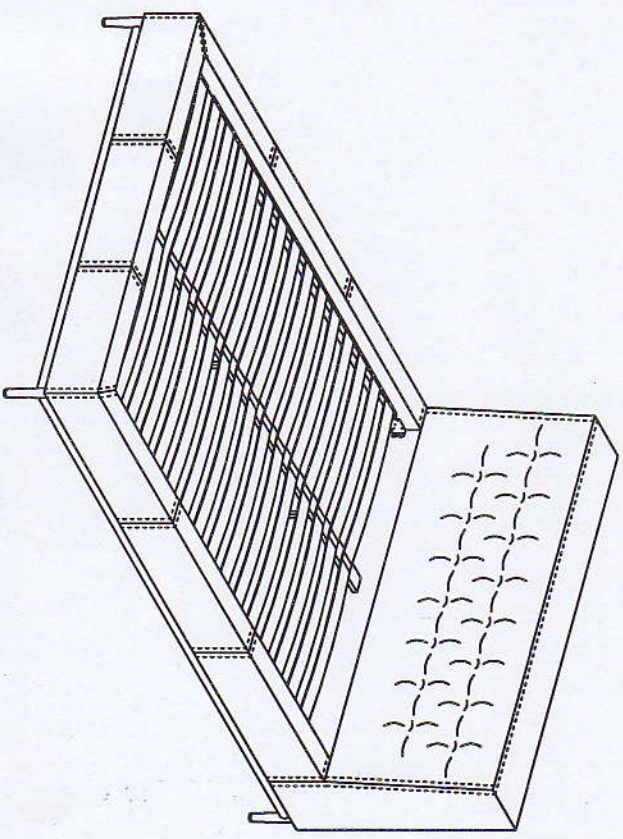
STEP 4



STEP 5



STEP 6



\* When moving the bed position, the center support legs must be adjust to be straight to avoid any broken problem.