

MODEL : BBT6323 6' BED

ASSEMBLY INSTRUCTIONS

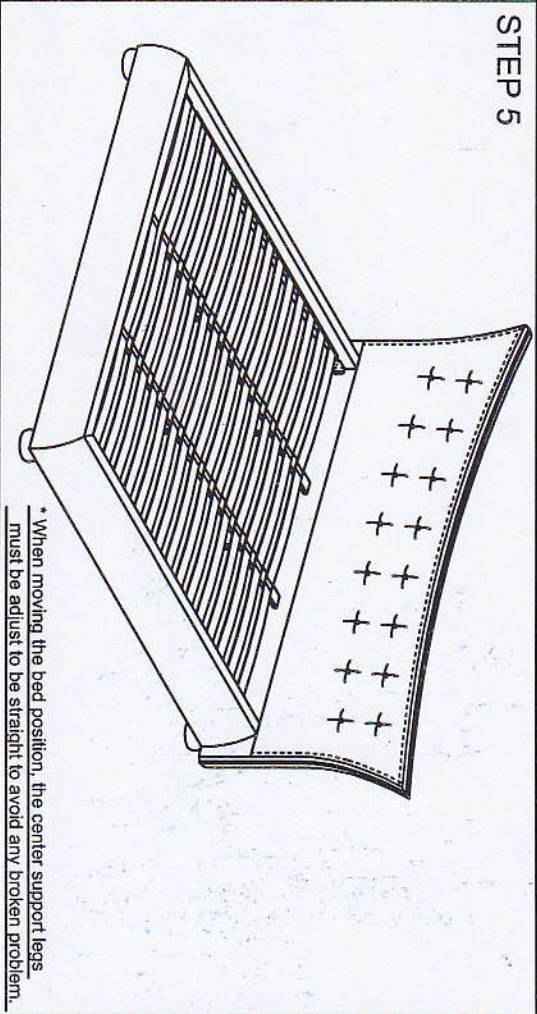
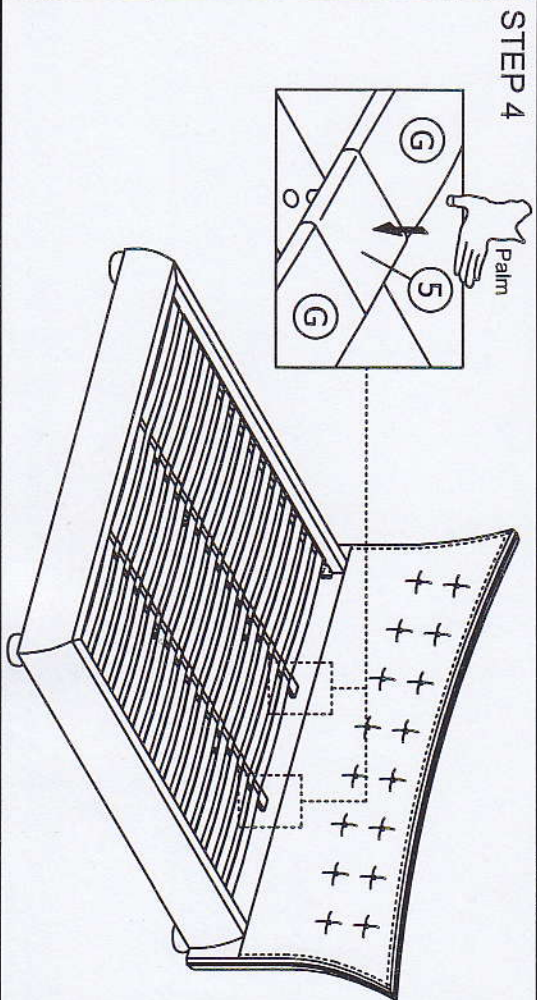
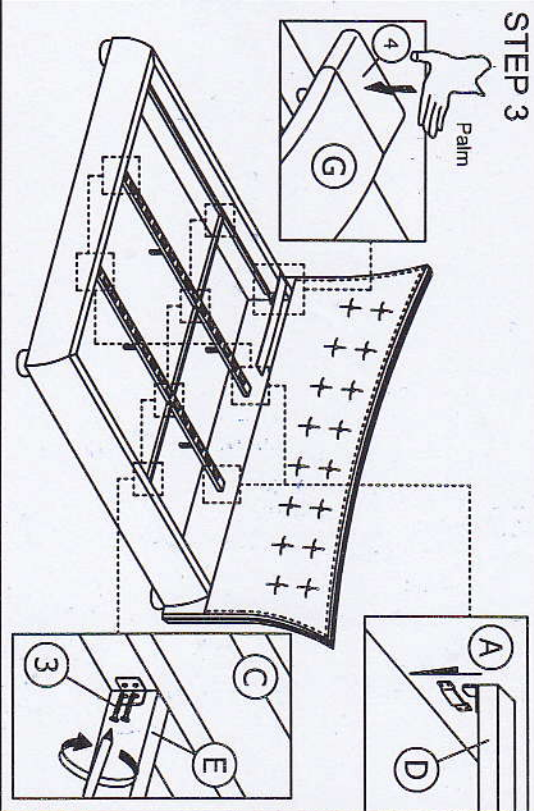
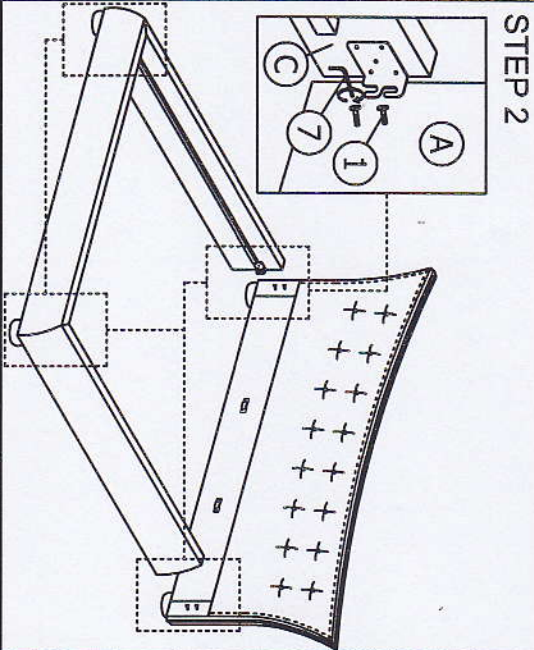
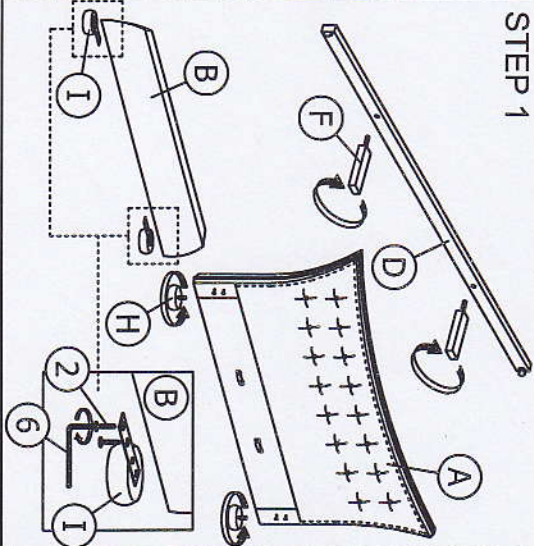
Read this instruction carefully. See hardware and furniture part list for guidance. Be sure all parts are complete, before you assemble. Place all wooden furniture parts on a clean and flat soft surface to prevent from being scratched. Follow the figure to start assembling.

- CAUTIONS :**
1. Do not FULLY - TIGHTEN the nut or nut bolt until all nut or bolt is ready assembled.
 2. Do not OVER - TIGHTEN the nut or bolt to avoid causing damages to the thread.
 3. Keep all hardware parts out of reach of children.

NOTE : THE LIST AND QUANTITY SHOWN ARE FOR 1 UNIT ASSEMBLY.

PART LIST		
ITEM	DESCRIPTION	QTY
A	HEADBOARD	1 PC
B	FOOTBOARD	1 PC
C	SIDE RAIL	2 PCS
D	CENTER RAIL	2 PCS
E	CENTER SUPPORT	3 PCS
F	CENTER SUPPORT LEG	4 PCS
G	BED SLAT	39 PCS
H	HEADBOARD BED LEG	2 PCS
I	FOOTBOARD BED LEG	2 PCS

PART LIST		
ITEM	DESCRIPTION	QTY
1	JCB8 BOLT M8 x 40mm	8 PCS
2	JCB6 BOLT M6 x 20mm	4 PCS
3	WOOD SCREW M3.5 x 16mm	12 PCS
4	BED SLAT SIDE FITTER	26 PCS
5	BED SLAT CENTER FITTER	26 PCS
6	M4 ALLEN KEY	1 PC
7	M5 ALLEN KEY	1 PC



*When moving the bed position, the center support legs must be adjust to be straight to avoid any broken problem.