

ASSEMBLY INSTRUCTIONS

MODEL : BBT5070.11 TUB CHAIR

Read this instruction carefully. See hardware and furniture part list for guidance. Be sure all parts are complete, before you assemble. Place all wooden furniture parts on a clean and flat soft surface to prevent from being scratched. Follow the figure to start assembling.

CAUTIONS :

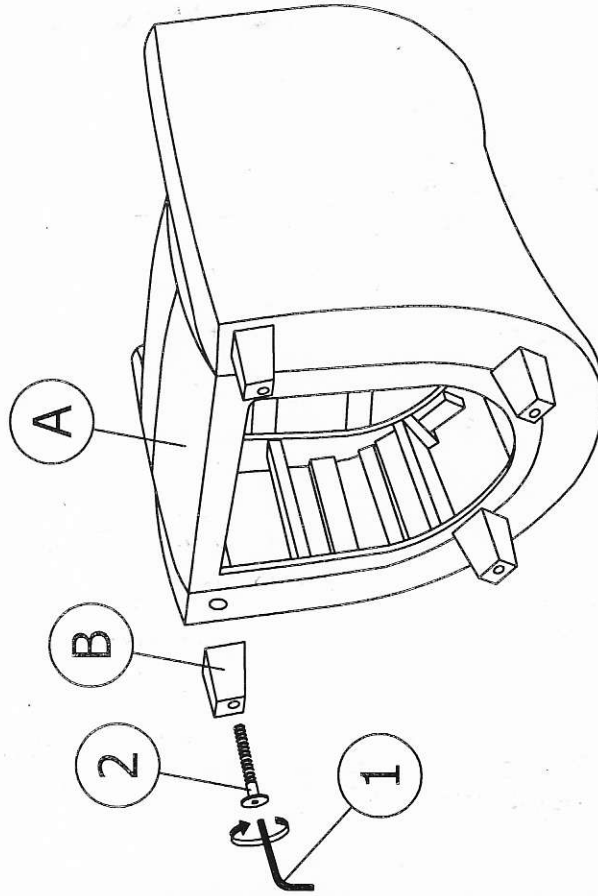
1. Do not FULLY - TIGHTEN the nut or bolt until all nut or bolt is ready assembled.
2. Do not OVER - TIGHTEN the nut or bolt to avoid causing damages to the thread.
3. Keep all hardware parts out of reach of children.

NOTE : THE LIST AND QUANTITY SHOWN ARE FOR 1 UNIT ASSEMBLY.

PART LIST		
ITEM	DESCRIPTION	QTY
A	CHAIR	1 PC
B	CHAIR LEG	4 PCS

PART LIST		
ITEM	DESCRIPTION	QTY
1	M5 ALLEN KEY	1 PC
2	JCBB Bolt M8 x 70mm	4 PCS

STEP 1



STEP 2

