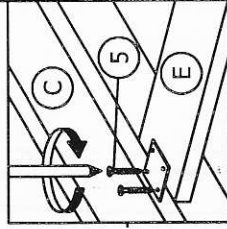
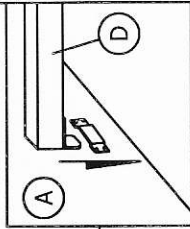
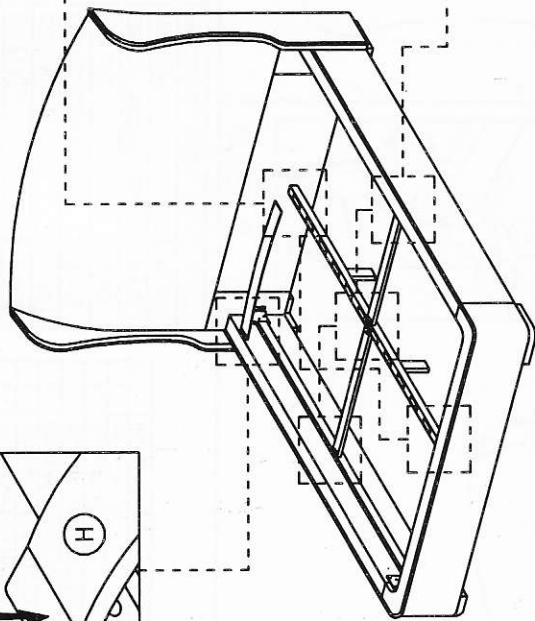
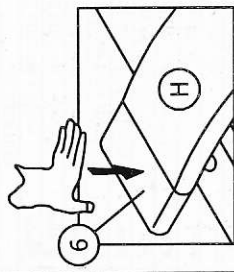
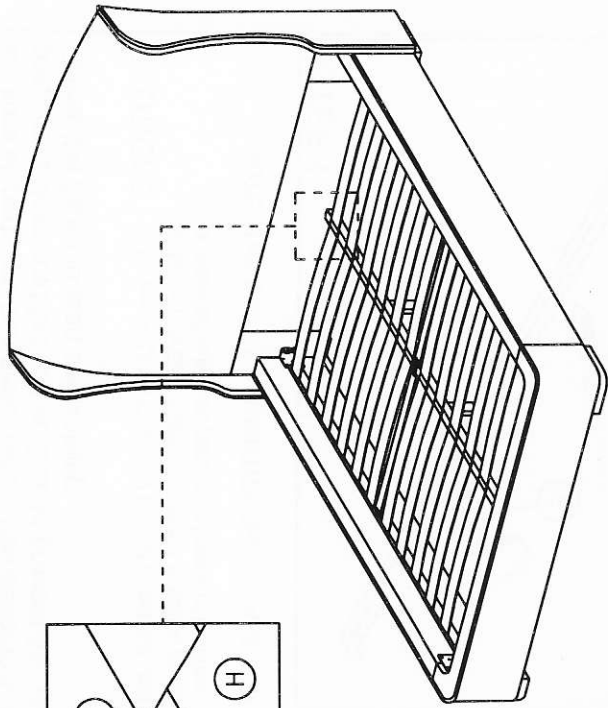
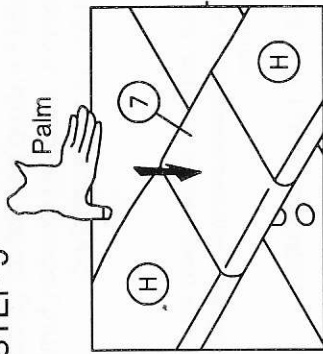


# ASSEMBLY INSTRUCTIONS

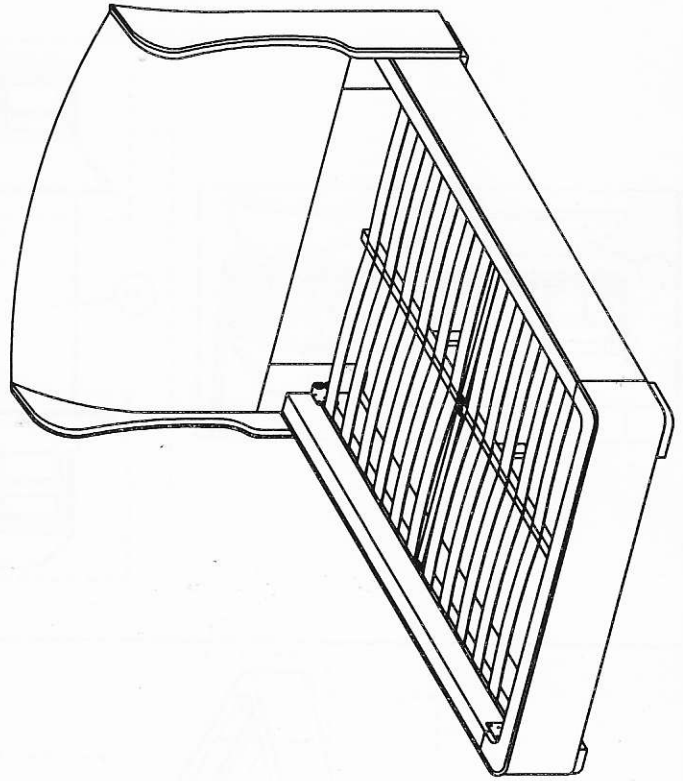
STEP 4



STEP 5



STEP 6



\* When moving the bed position, the center support legs must be adjusted to avoid any broken problem.