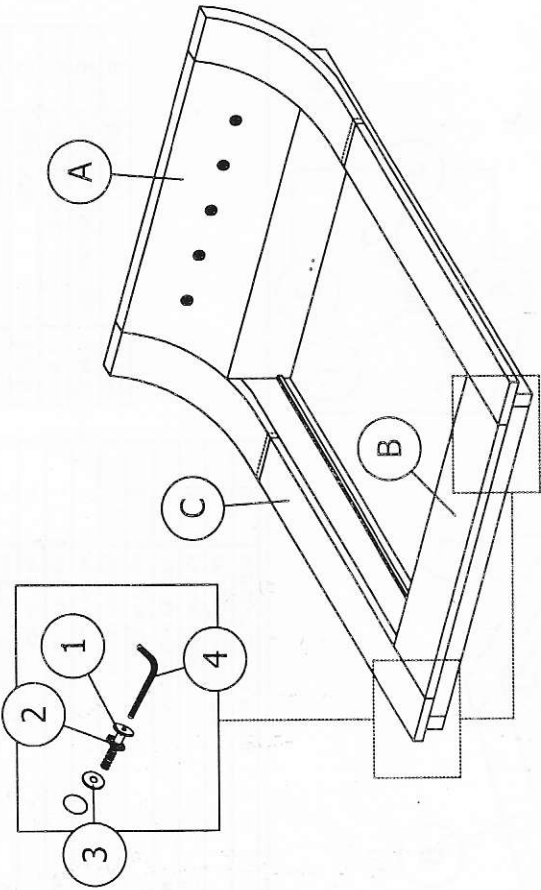
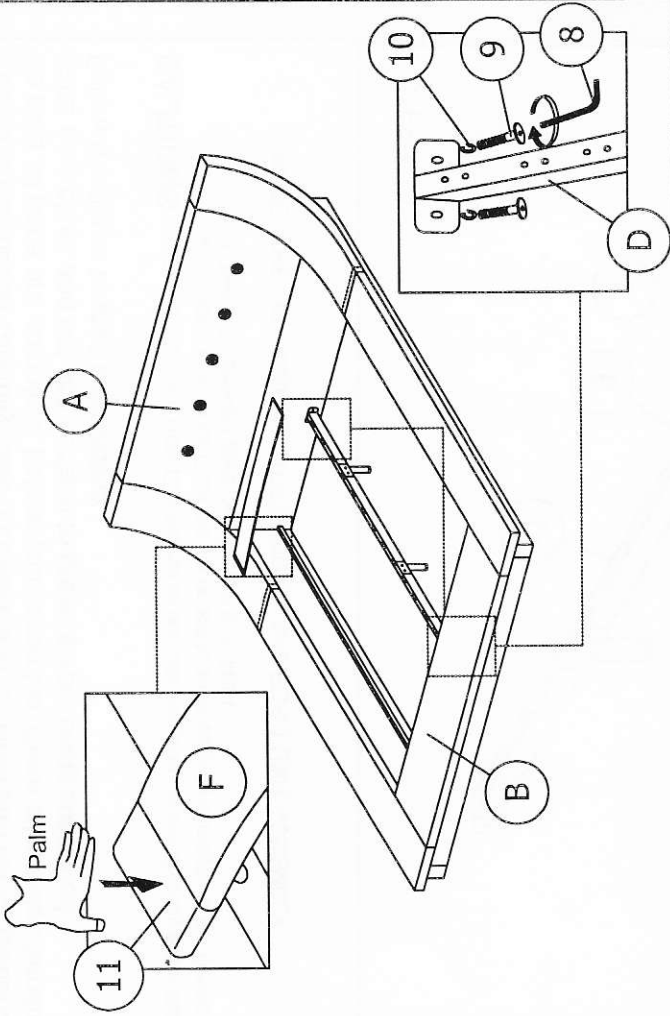


# ASSEMBLY INSTRUCTIONS

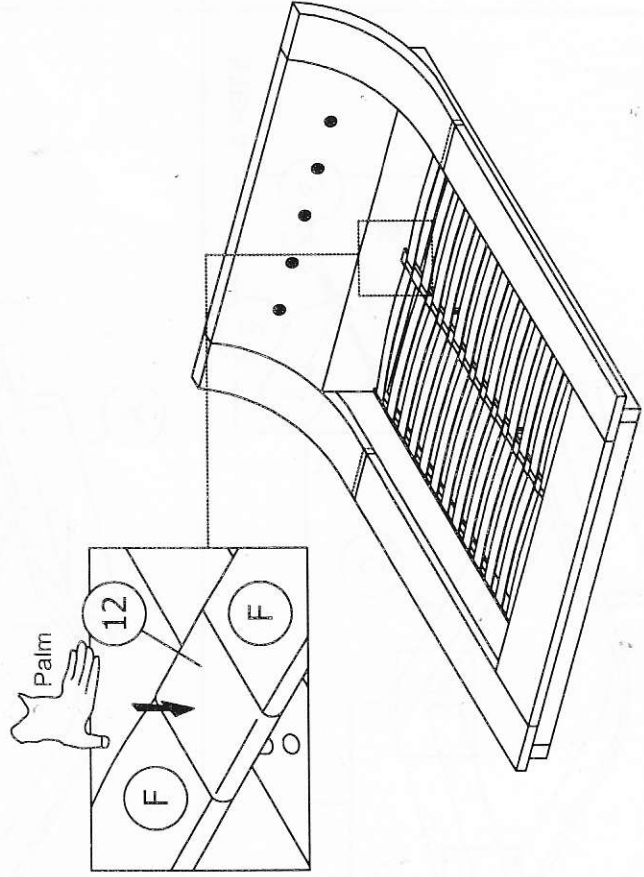
STEP 5



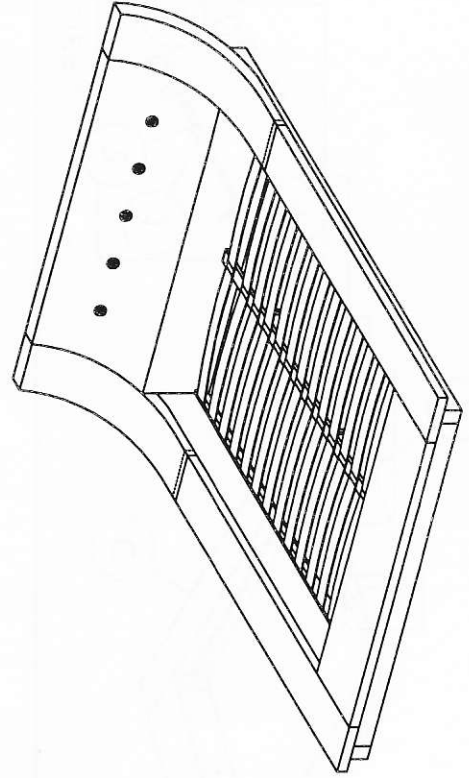
STEP 6



STEP 7



STEP 8



\* When moving the bed position, the center support legs must be adjusted to be straight to avoid any broken problem.