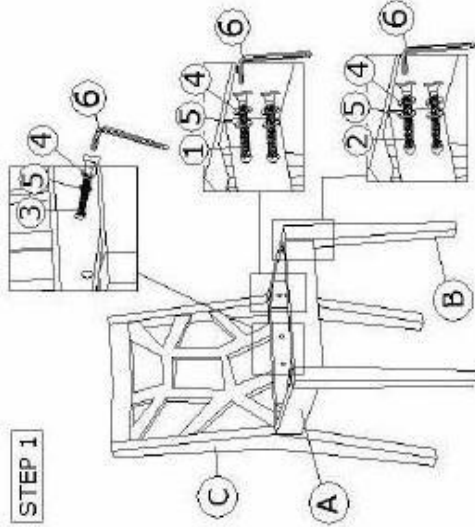


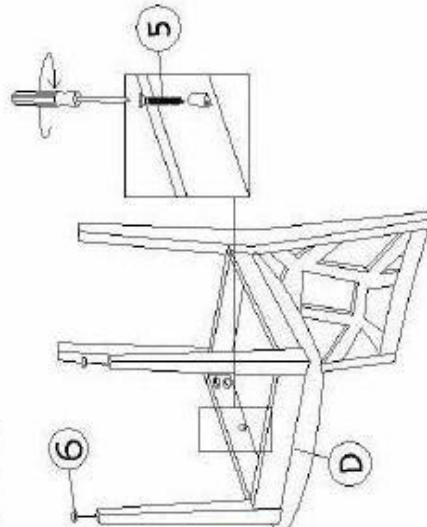
# JENIFER



STEP 1



STEP 2



## PRODUCT DESCRIPTION

Read instruction carefully. Remove all wrapping material, staples and straps from the carton. See Hardware and Furniture Part List for guidance. Be sure you have all parts before you start assembling. Place all wooden furniture part a clean and flat soft surface, such as carpet or rug to prevent from being scratched.

**CAUTION**  
KEEP ALL HARDWARE PART OUT OF REACH OF CHILDREN

| HARDWARE LIST |                           |        |
|---------------|---------------------------|--------|
| ITEM          | DESCRIPTION               | QTY    |
| 1             | JCBC BOLT M6 X 80MM       | 4 PCS  |
| 2             | JCBC BOLT M6 X 60MM       | 4 PCS  |
| 3             | JCBC BOLT M6 X 40MM       | 2 PCS  |
| 4             | SPRING WASHER M6          | 10 PCS |
| 5             | FLAT WASHER               | 10 PCS |
| 6             | ALLEN KEY M4 (BALL SHAPE) | 1 PC   |
| 7             | PH SCREW #8 X 32MM        | 3 PCS  |
| 8             | PROTECTION PADS           | 4 PCS  |

| PART LIST |             |       |
|-----------|-------------|-------|
| ITEM      | DESCRIPTION | QTY   |
| A         | FRAME SEAT  | 1 PC  |
| B         | FRONT LEG   | 2 PCS |
| C         | CHAIR BACK  | 1 PC  |
| D         | CHAIR SEAT  | 1 PC  |

**HINLIM**  
SINCE 1971

[www.hinlim.com](http://www.hinlim.com)



ISO 9001:2000  
Certificate No. 2502

