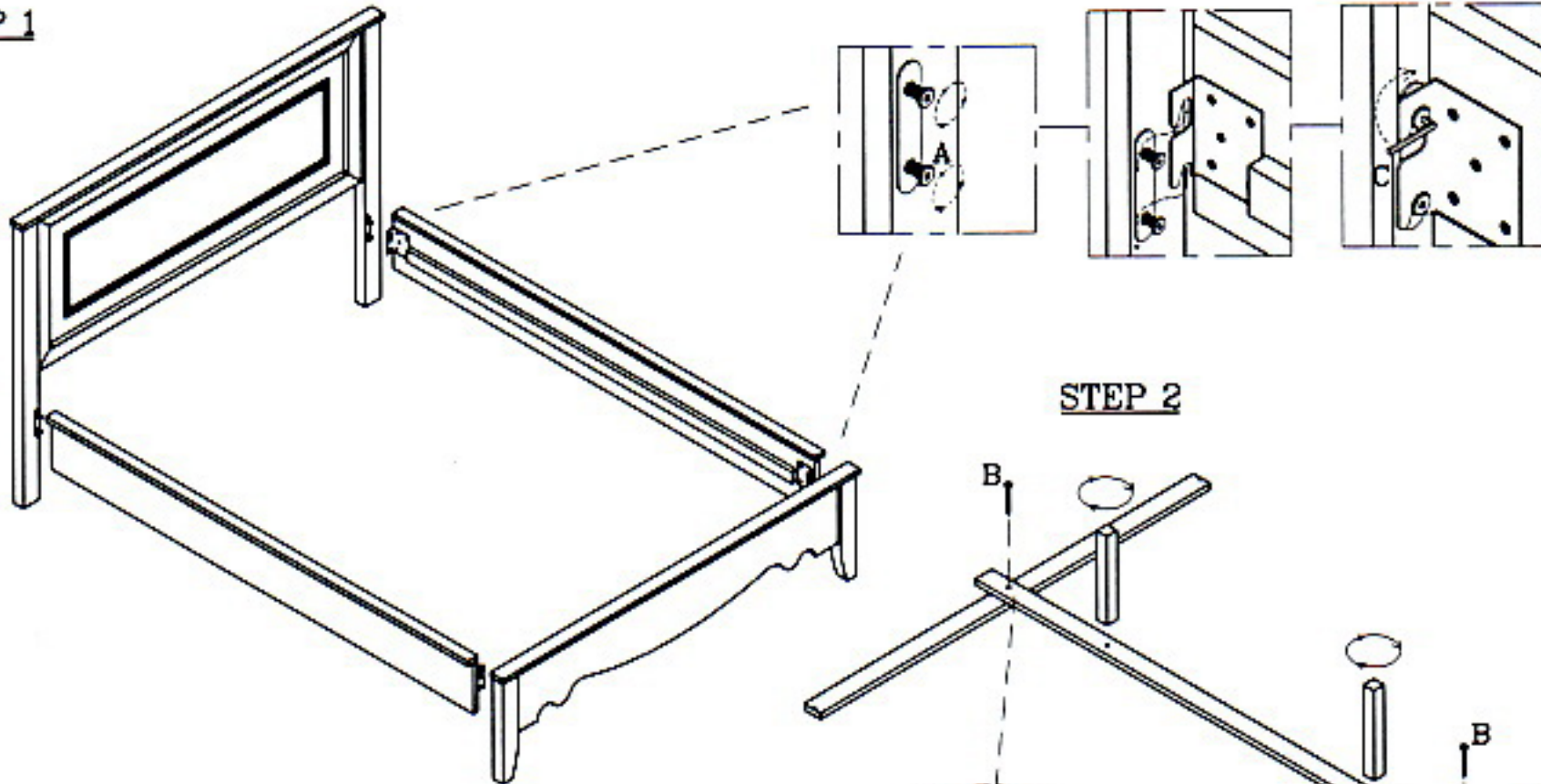


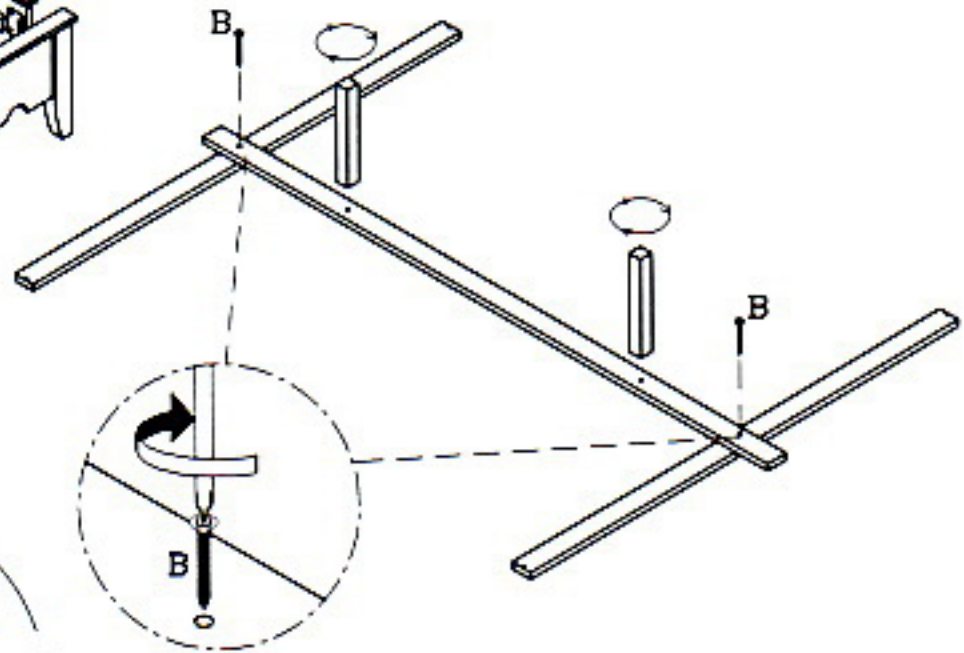
HARDWARE LIST

A  JCBB M8X16mm (8Pcs)	B  CHIPBOARD SCREW M4X32mm (26Pcs)	C  ALLEN KEY M5 (1Pc)
---	--	--

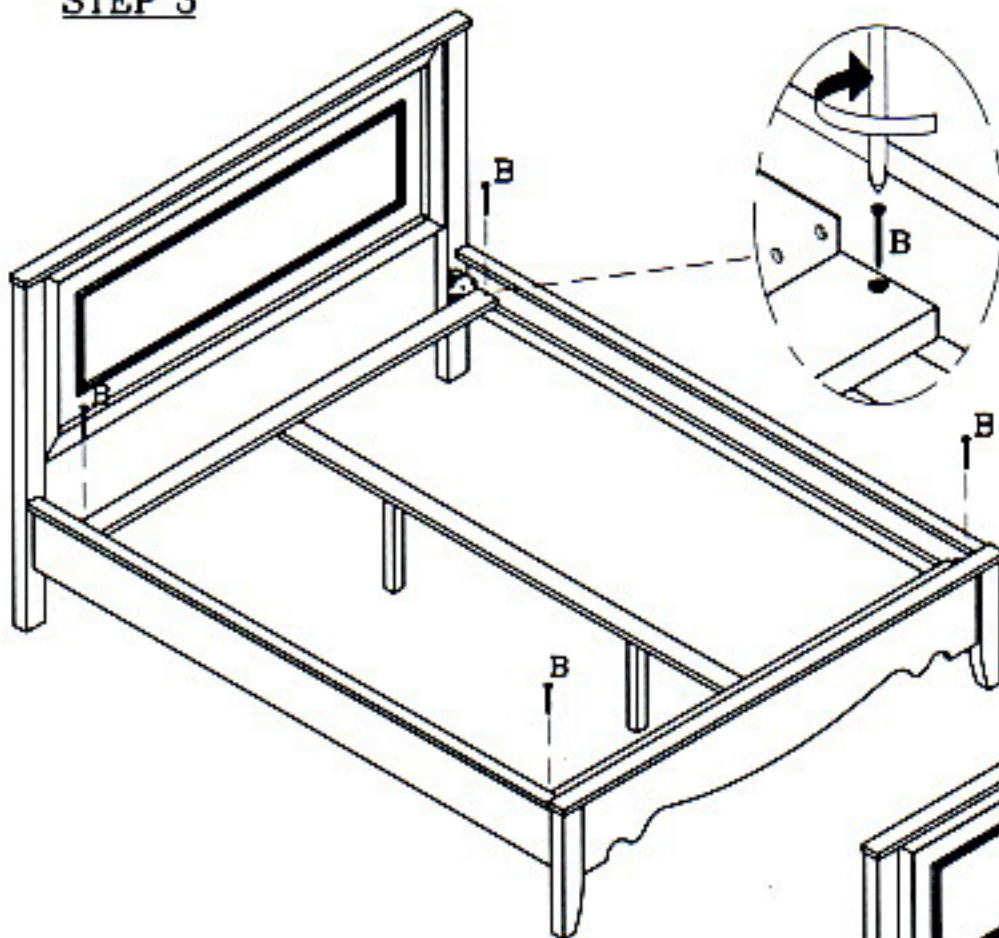
STEP 1



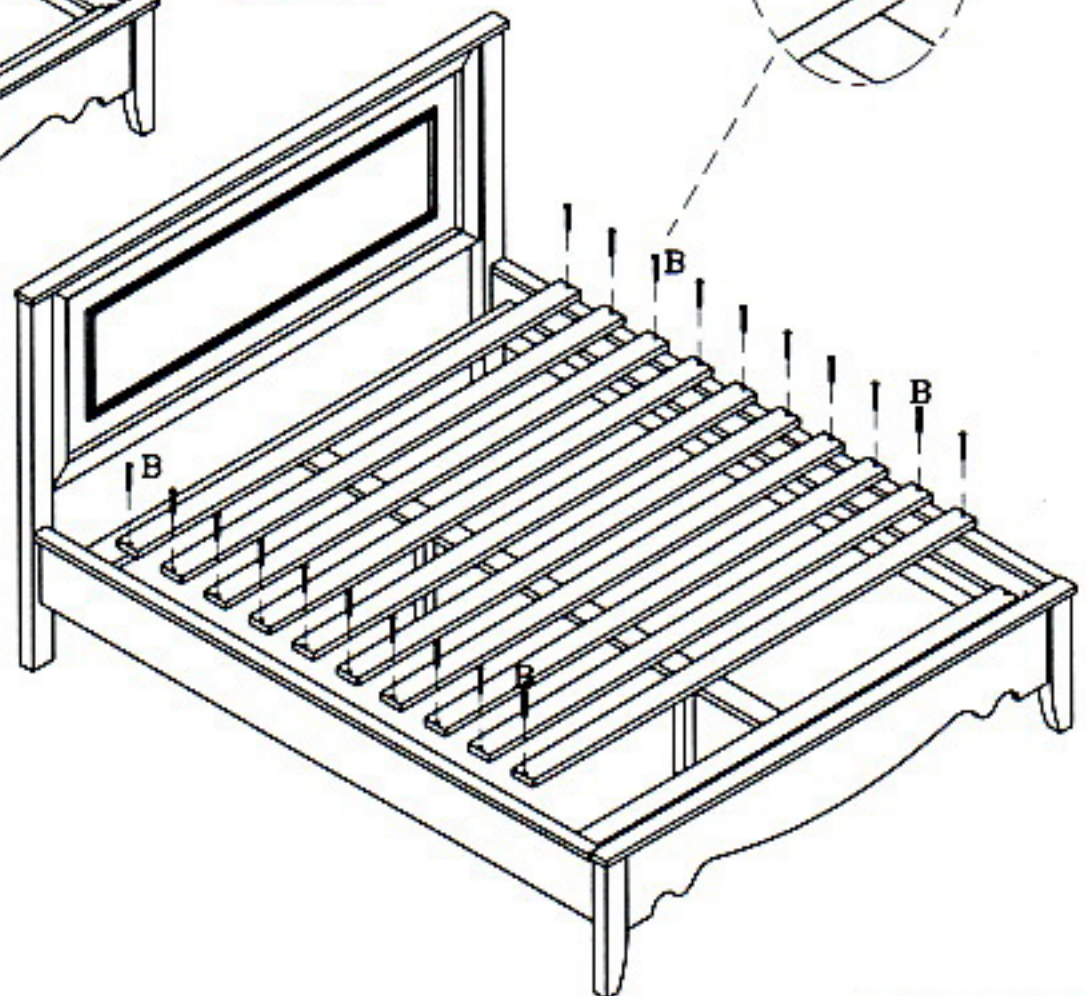
STEP 2



STEP 3



STEP 4



-THE UNIT SHOULD BE ASSEMBLED BY 2 OR MORE PEOPLE
-EXTRA HARDWARE INCLUDED