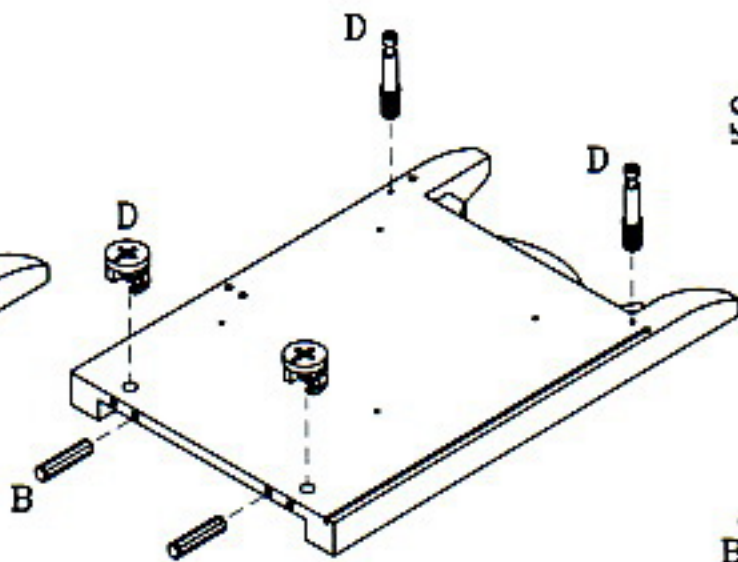
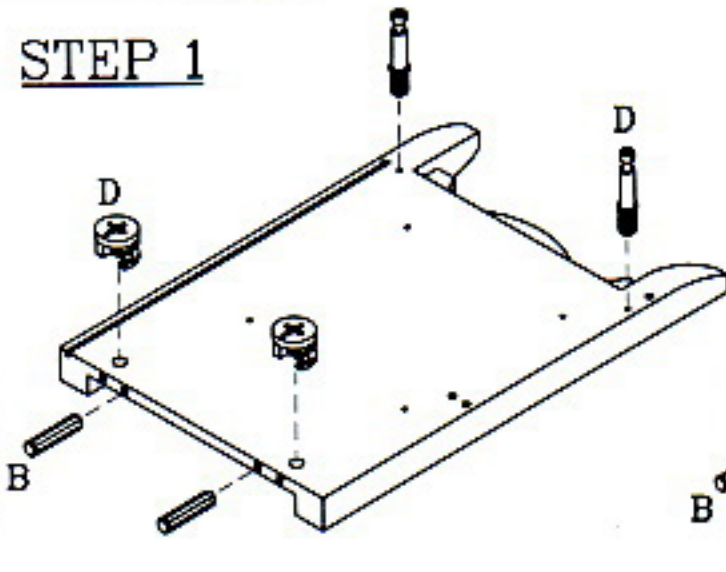


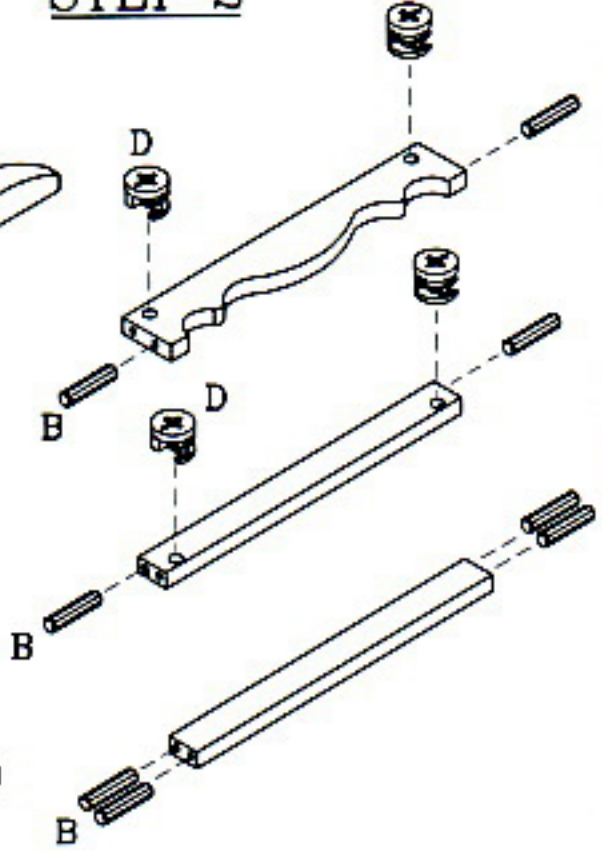
HARDWARE LIST

<p><b>A</b></p>  <p>CHIPBOARD SCREW M4X32mm (4Pcs)</p>	<p><b>B</b></p>  <p>WOOD DOWEL M8X35mm (12Pcs)</p>	<p><b>C</b></p>  <p>CHIPBOARD SCREW M4X16mm (16Pcs)</p>	<p><b>D</b></p>  <p>CAM LOCK &amp; CAM BOLT (12Sets)</p>	<p><b>E</b></p>  <p>WOOD DOWEL M6X30mm (24Pcs)</p>	<p><b>F</b></p>  <p>RUNNER 300mm (2Sets)</p>	<p><b>G</b></p>  <p>HANDEL (2Pcs)</p>	<p><b>H</b></p>  <p>PANHEAD SCREW M4X20mm (2Pcs)</p>	<p><b>I</b></p>  <p>CAM LOCK COVER (12Pcs)</p>
---	---	--	---	--	---	--	---	---

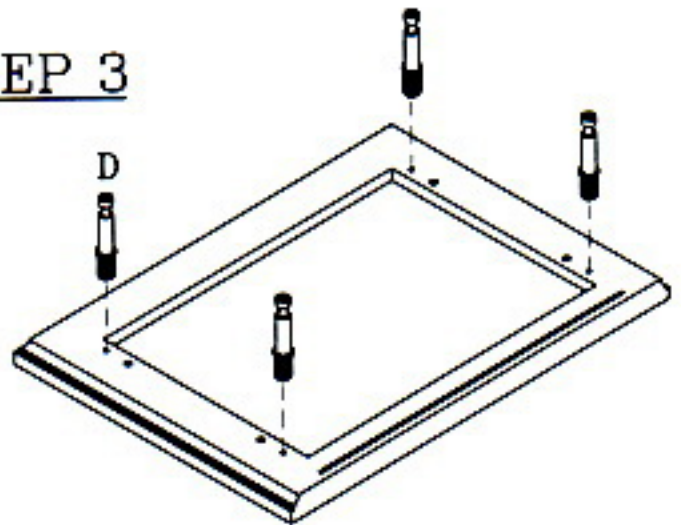
STEP 1



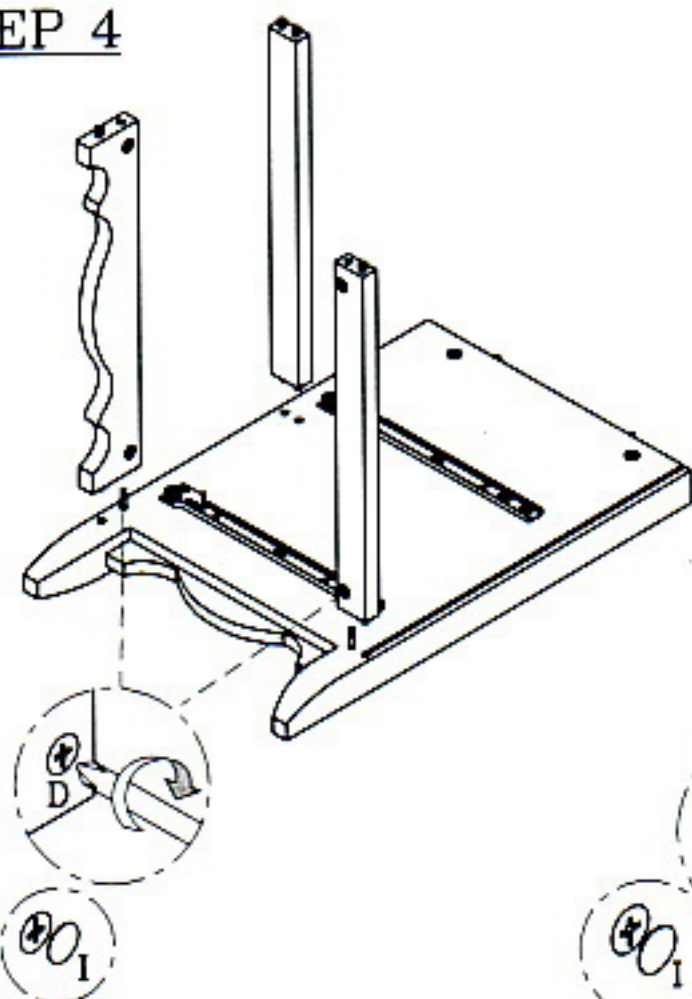
STEP 2



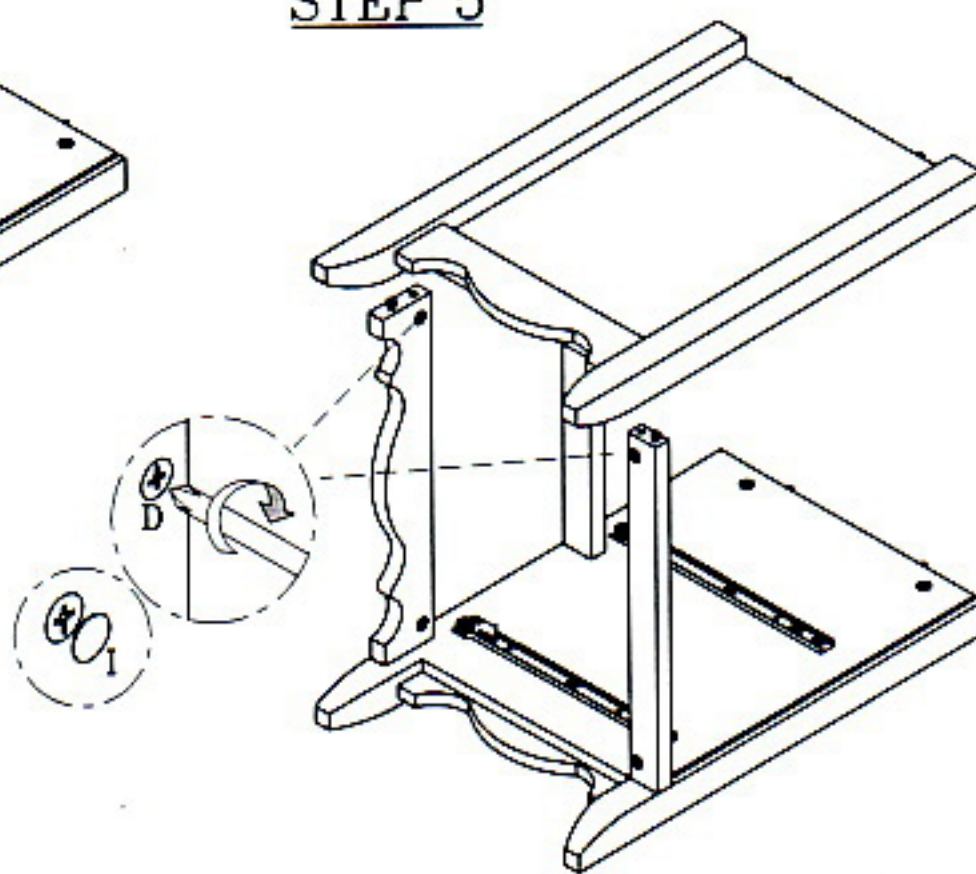
STEP 3



STEP 4

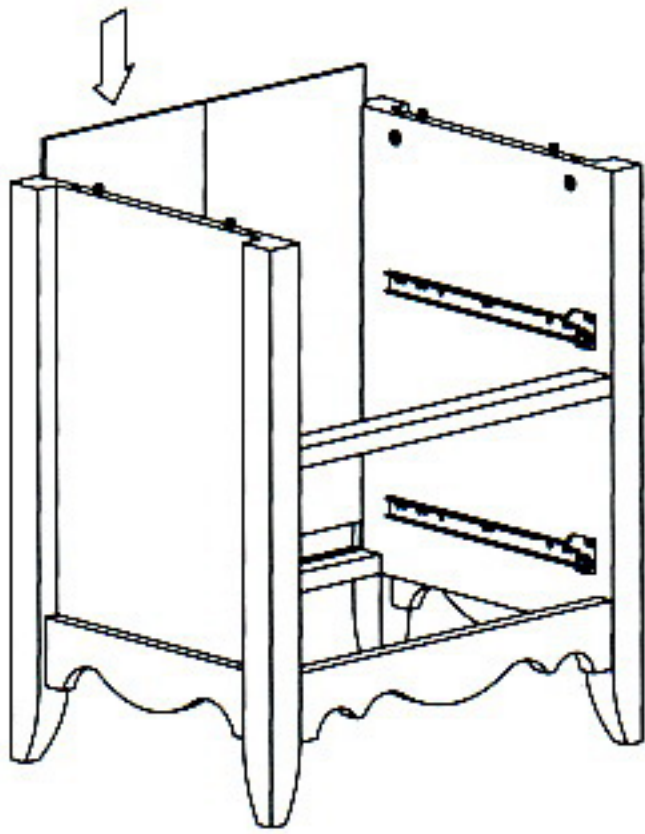


STEP 5

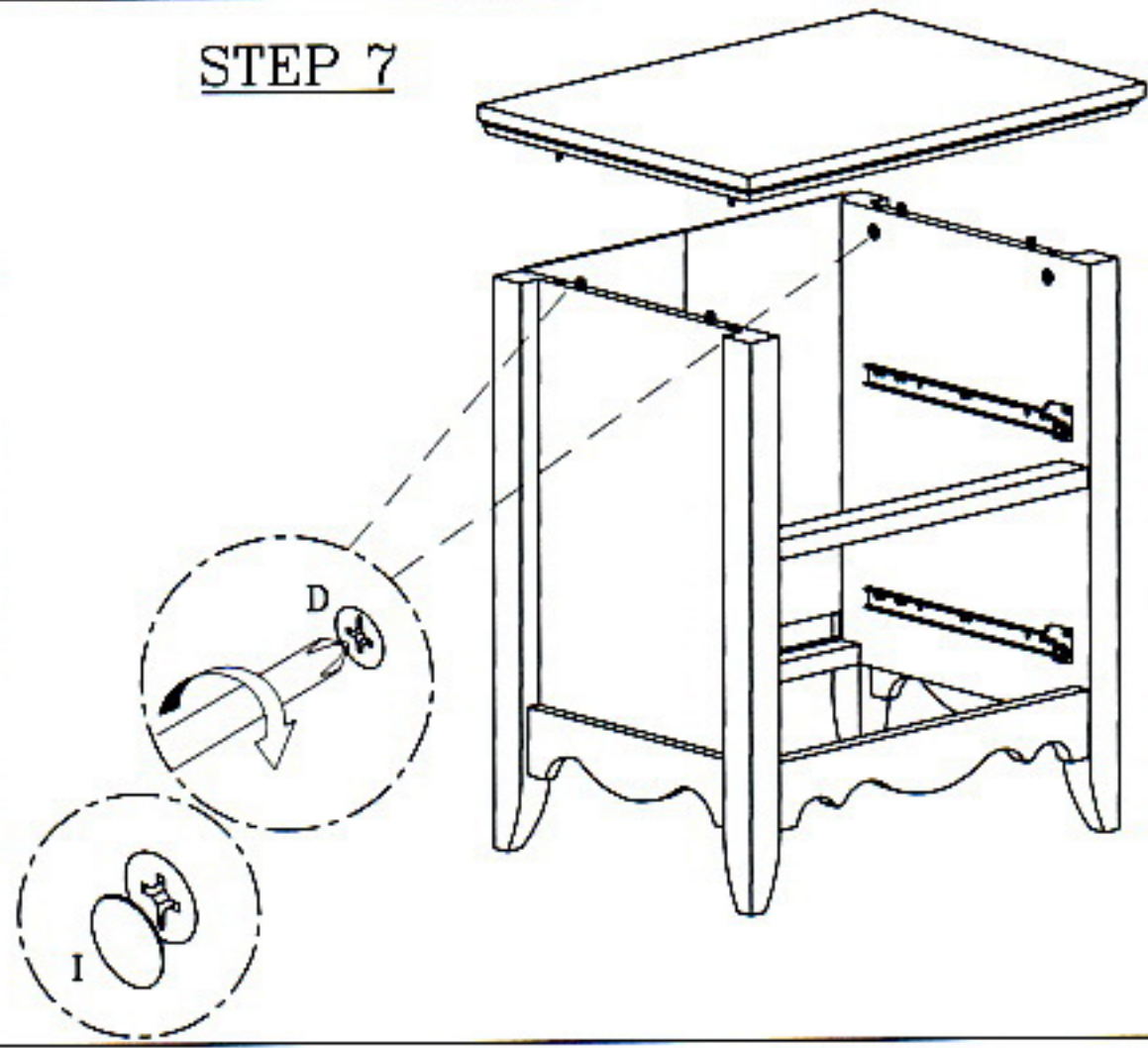


-THE UNIT SHOULD BE ASSEMBLED BY 2 OR MORE PEOPLE  
 -EXTRA HARDWARE INCLUDED

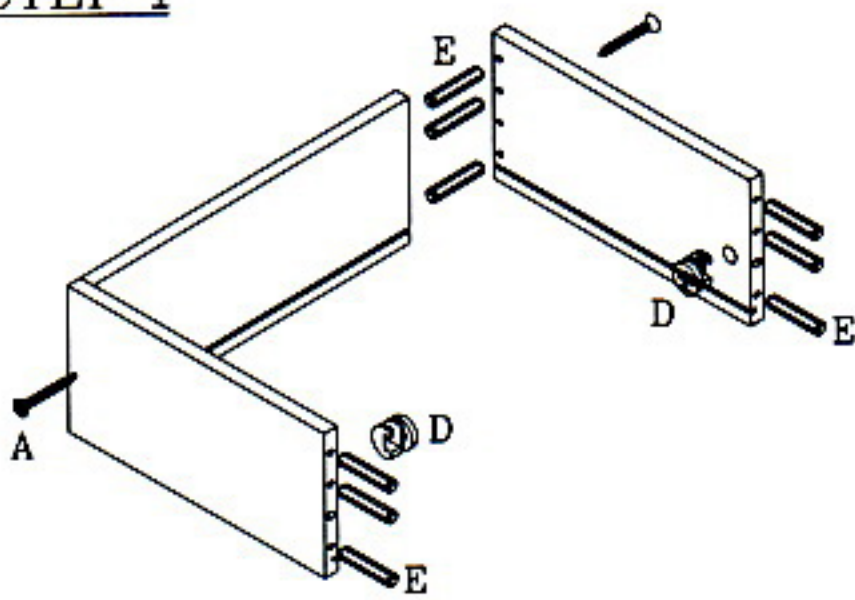
STEP 6



STEP 7

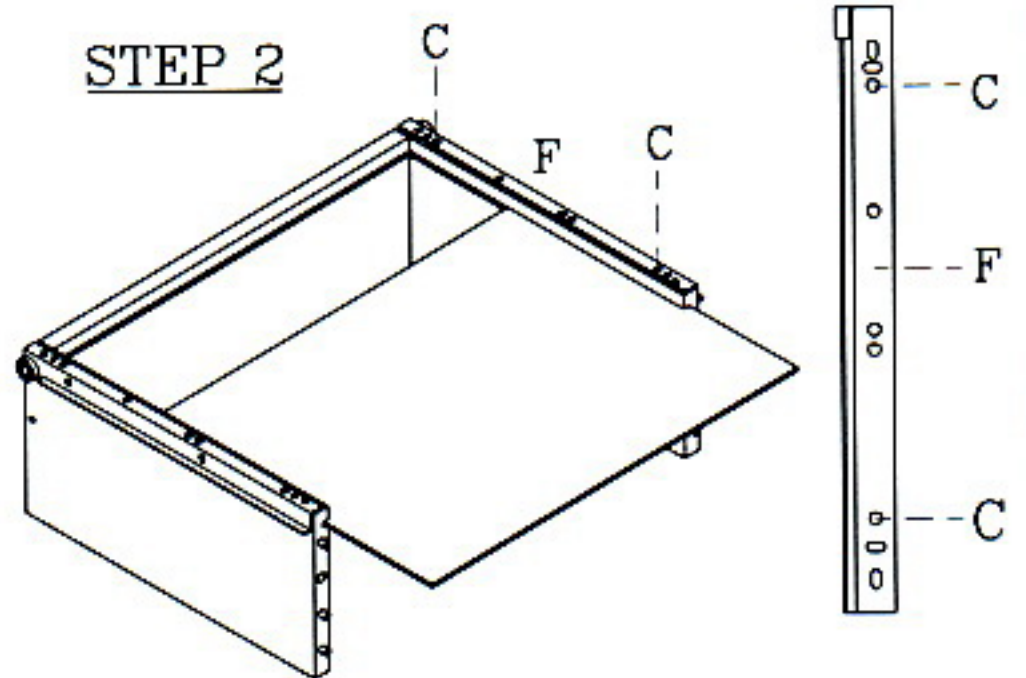


STEP 1

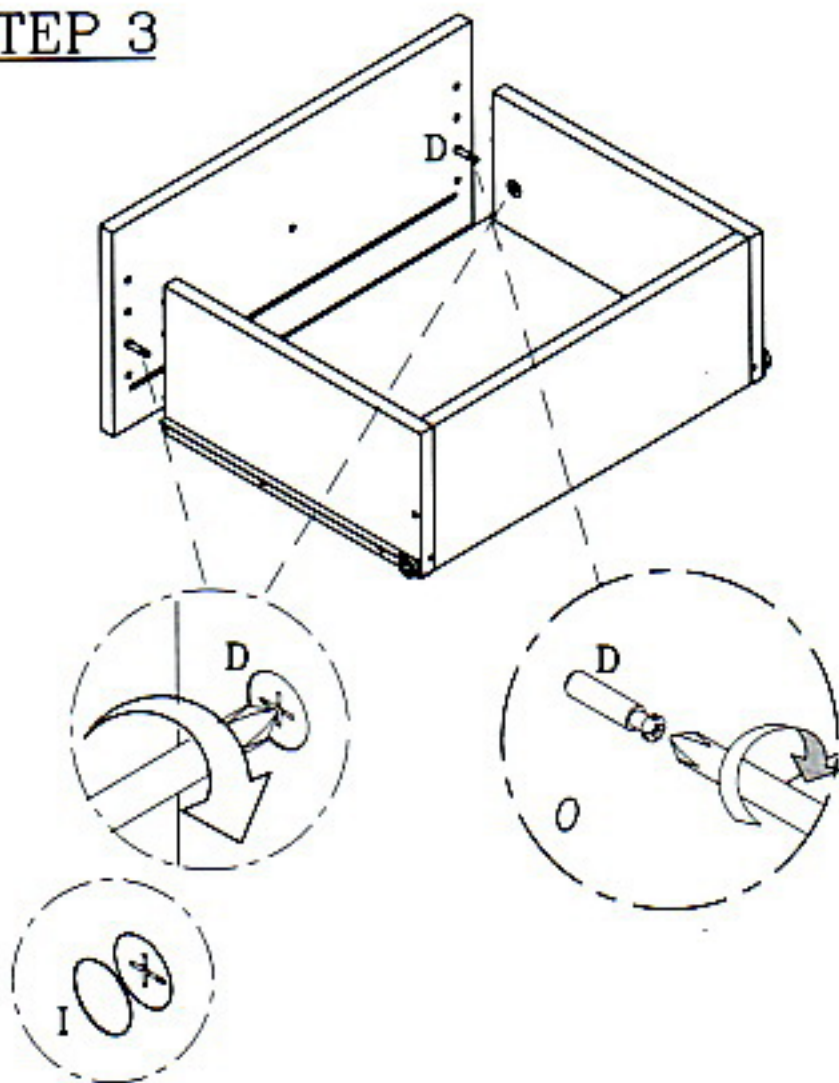


Notes: Turned Over Drawer Box Before Attached Runner

STEP 2



STEP 3



STEP 4

