








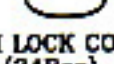
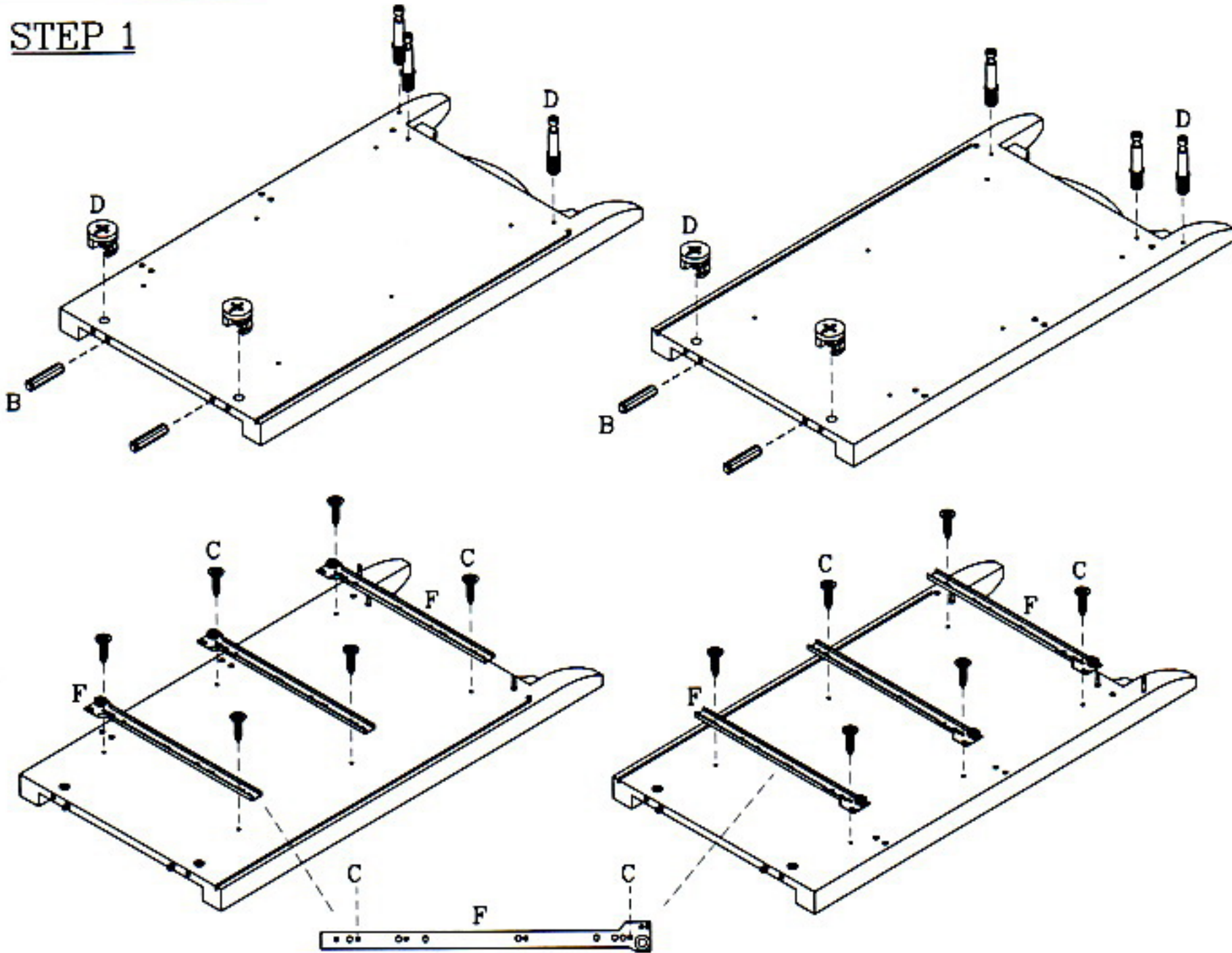


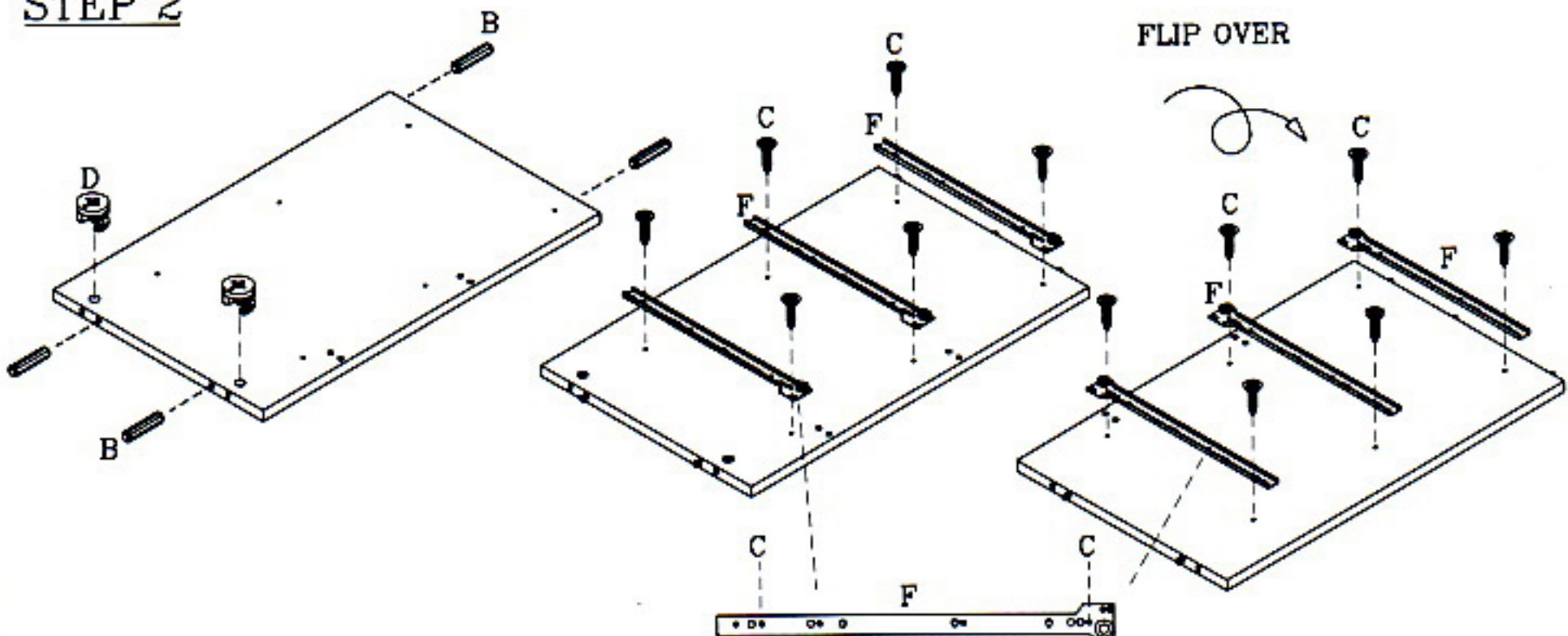
HARDWARE LIST

<p>A</p>  <p>CHIPBOARD SCREW M4X32mm (12Pcs)</p>	<p>B</p>  <p>WOOD DOWEL M6X35mm (28Pcs)</p>	<p>C</p>  <p>CHIPBOARD SCREW M4X18mm (52Pcs)</p>	<p>D</p>  <p>CAM LOCK & CAM BOLT (24Sets)</p>	<p>E</p>  <p>WOOD DOWEL M6X30mm (80Pcs)</p>	<p>F</p>  <p>RUNNER 350mm (6Sets)</p>	<p>G</p>  <p>HANDEL (12Pcs)</p>	<p>H</p>  <p>PANHEAD SCREW M4X20mm (12Pcs)</p>
<p>I</p>  <p>CHIPBOARD SCREW M4X38mm (2Pcs)</p>	<p>J</p>  <p>CAM LOCK COVER (24Pcs)</p>						

STEP 1

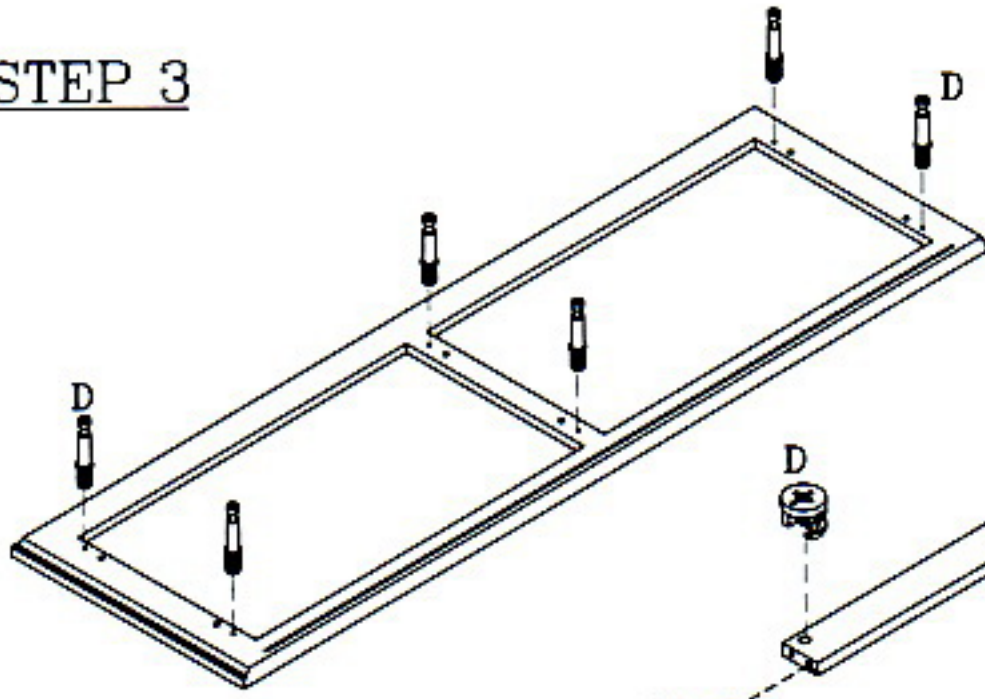


STEP 2

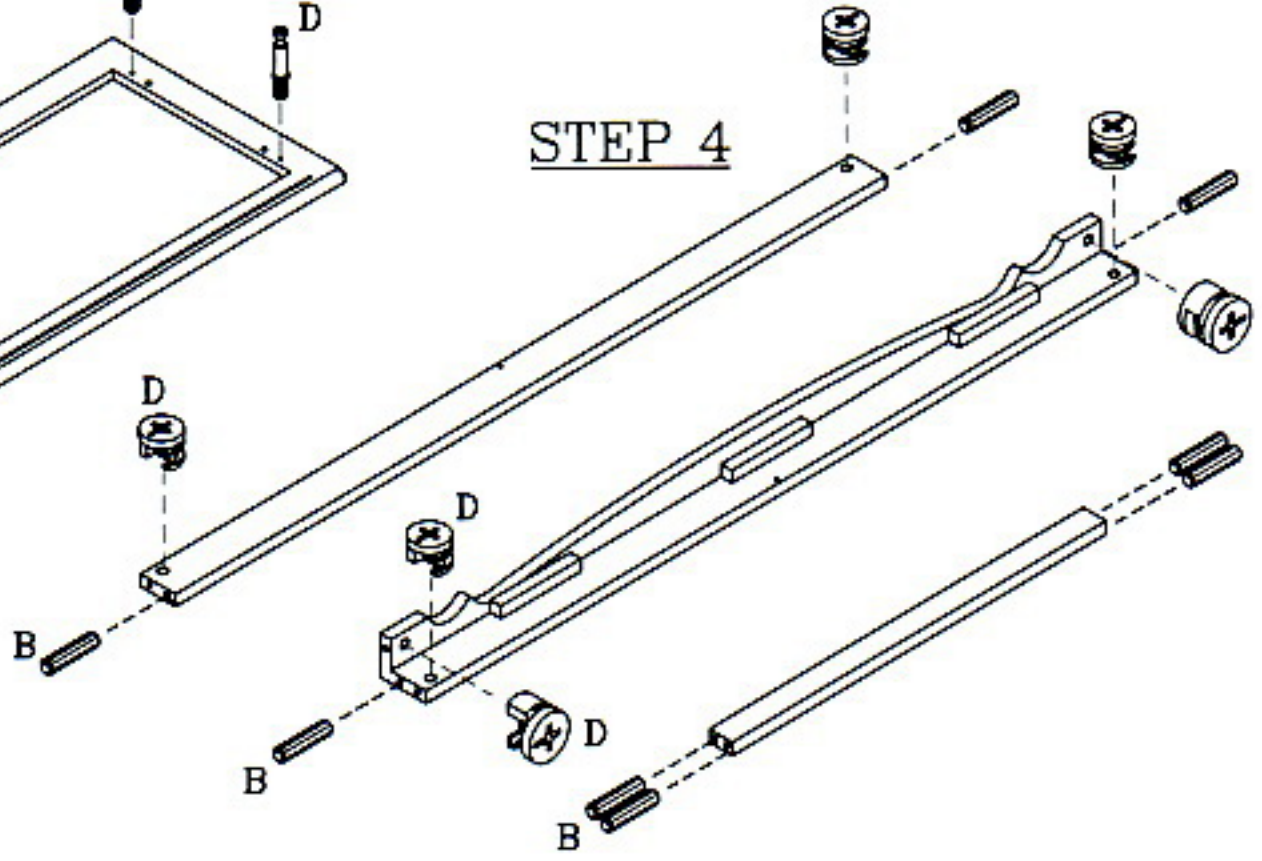


-THE UNIT SHOULD BE ASSEMBLED BY 2 OR MORE PEOPLE
 -EXTRA HARDWARE INCLUDED

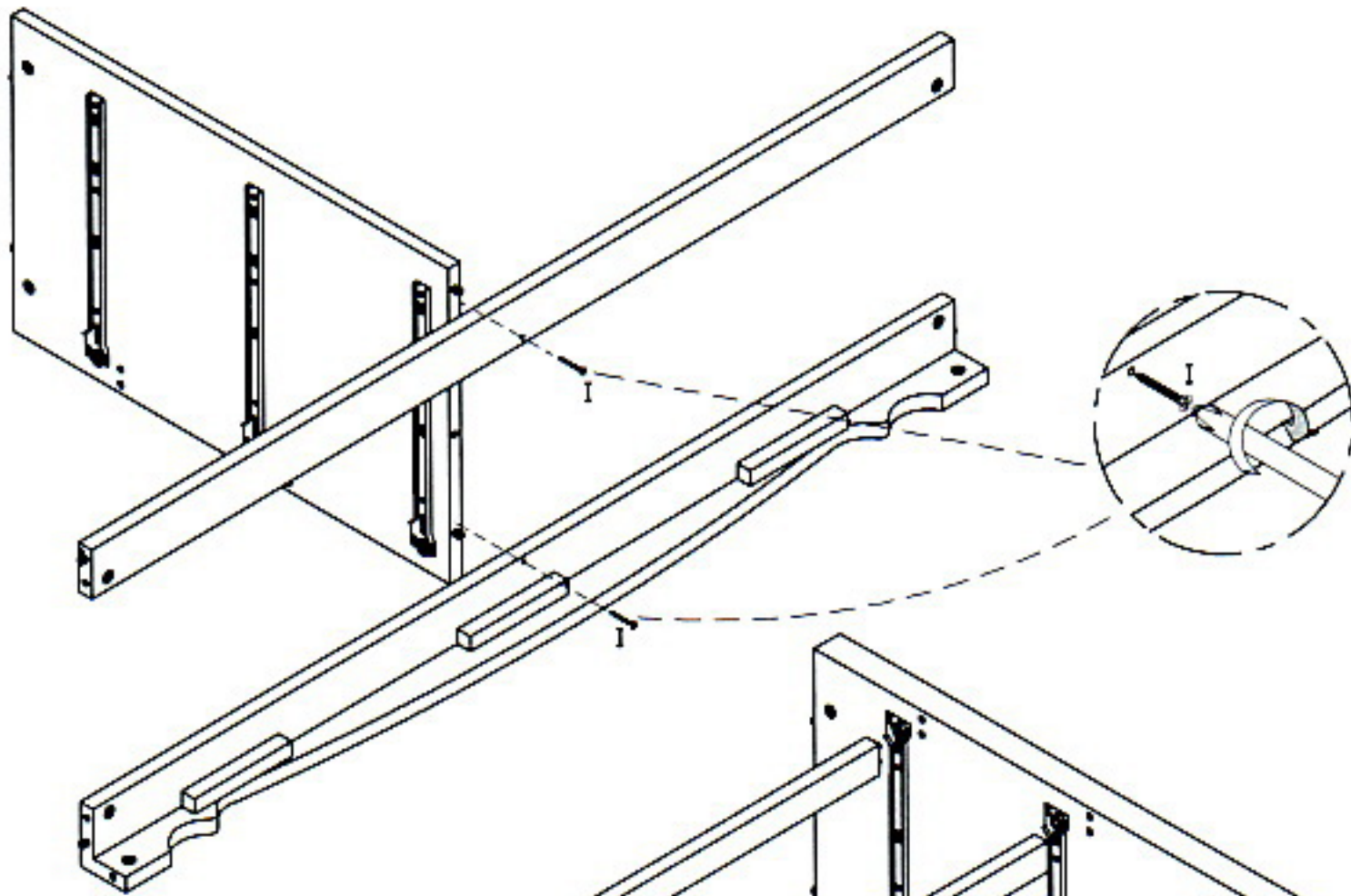
STEP 3



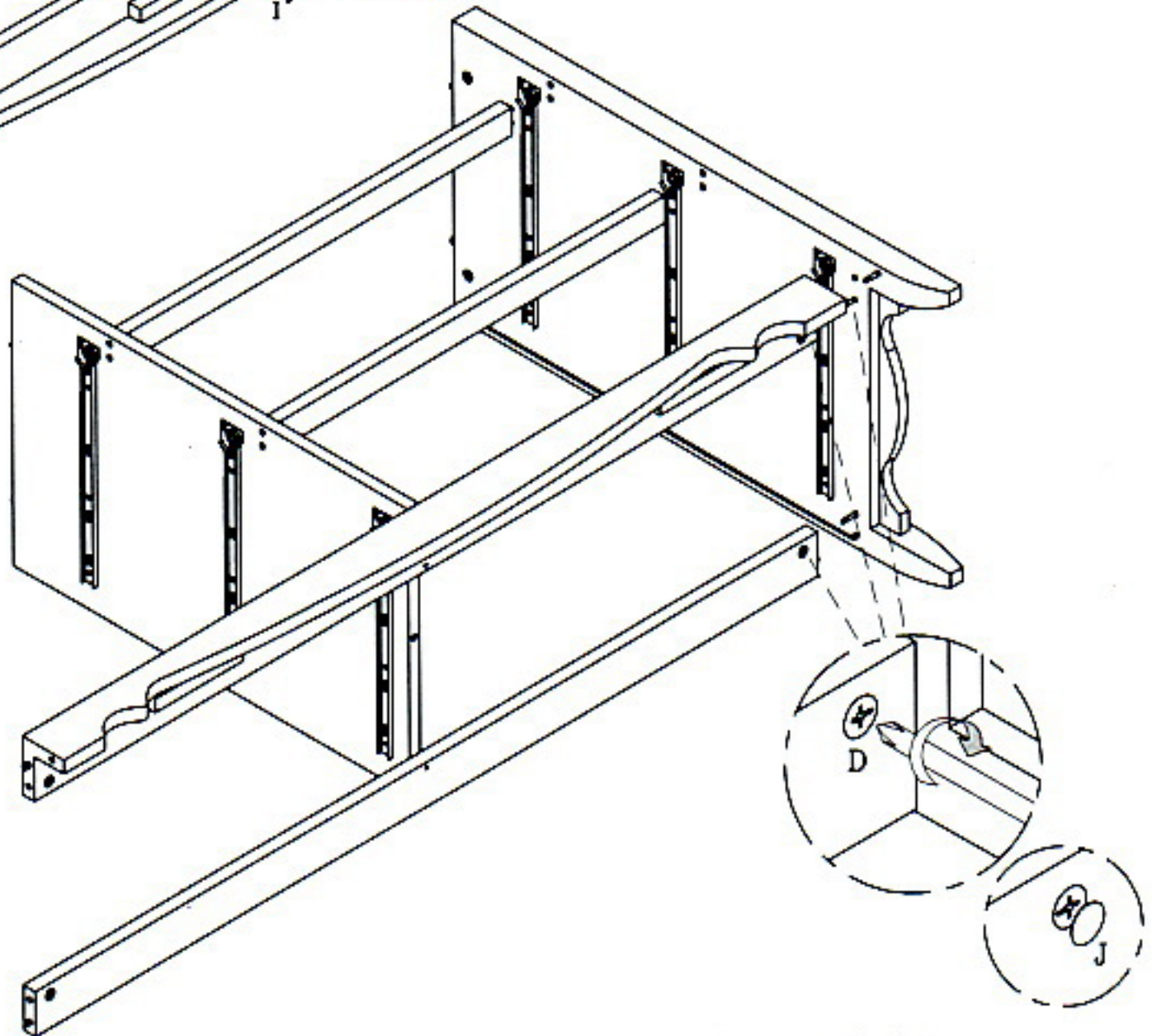
STEP 4



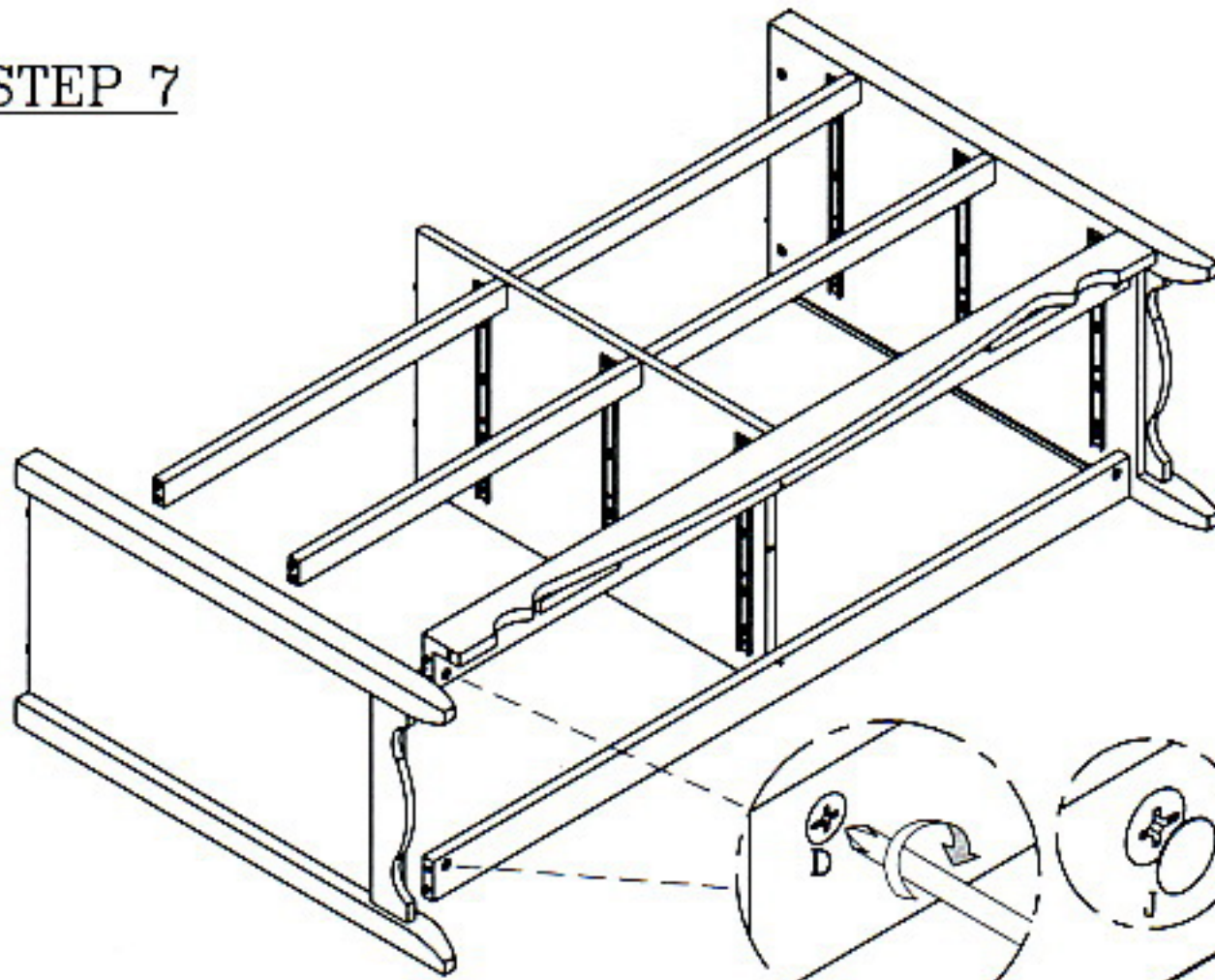
STEP 5



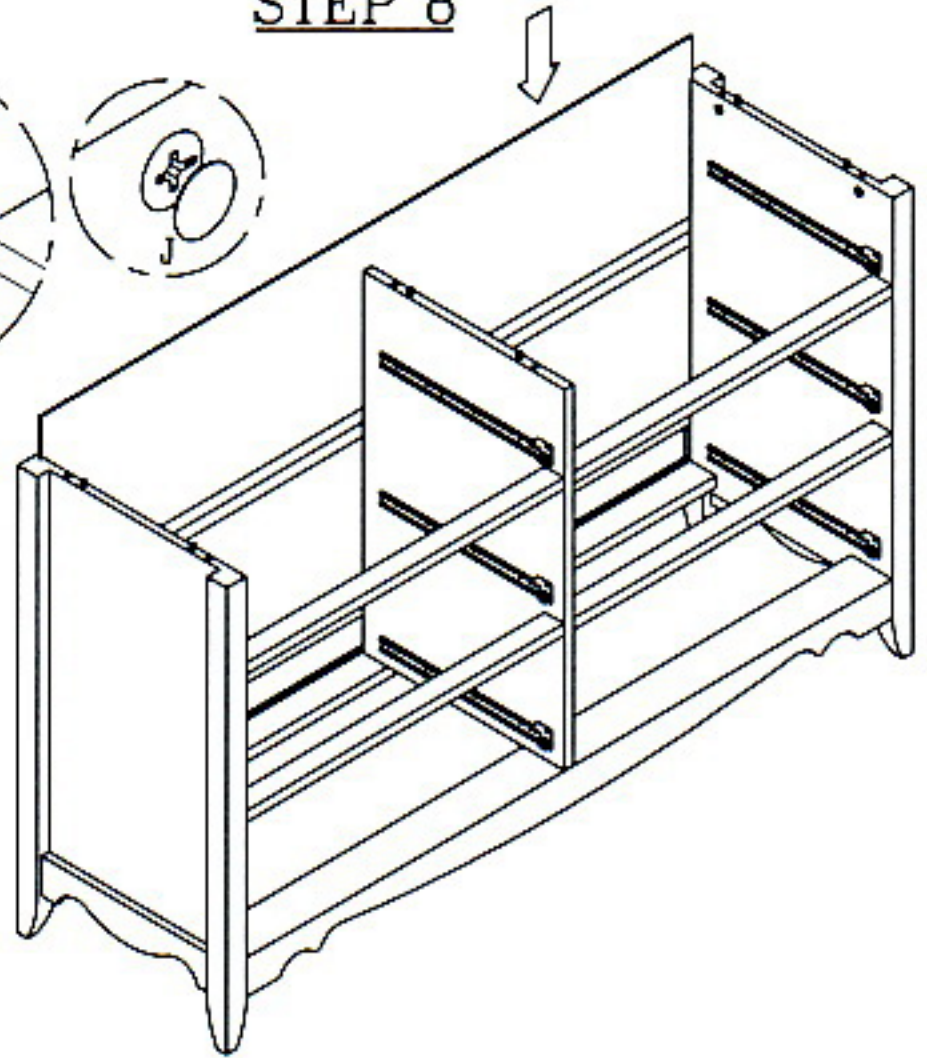
STEP 6



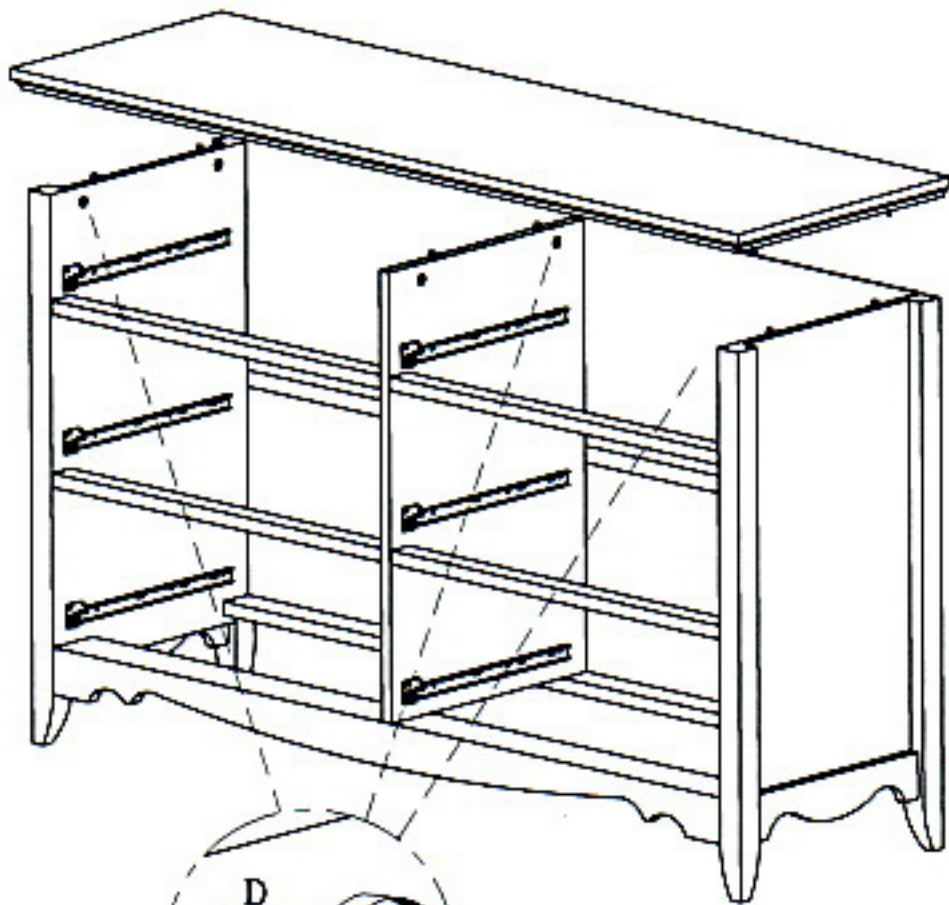
STEP 7



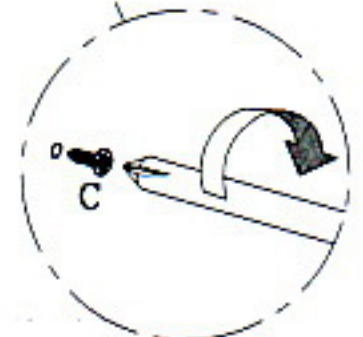
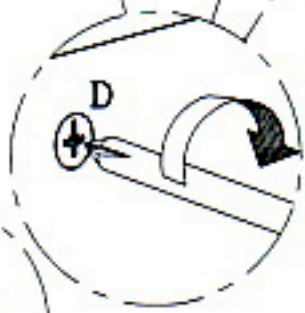
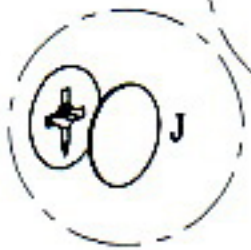
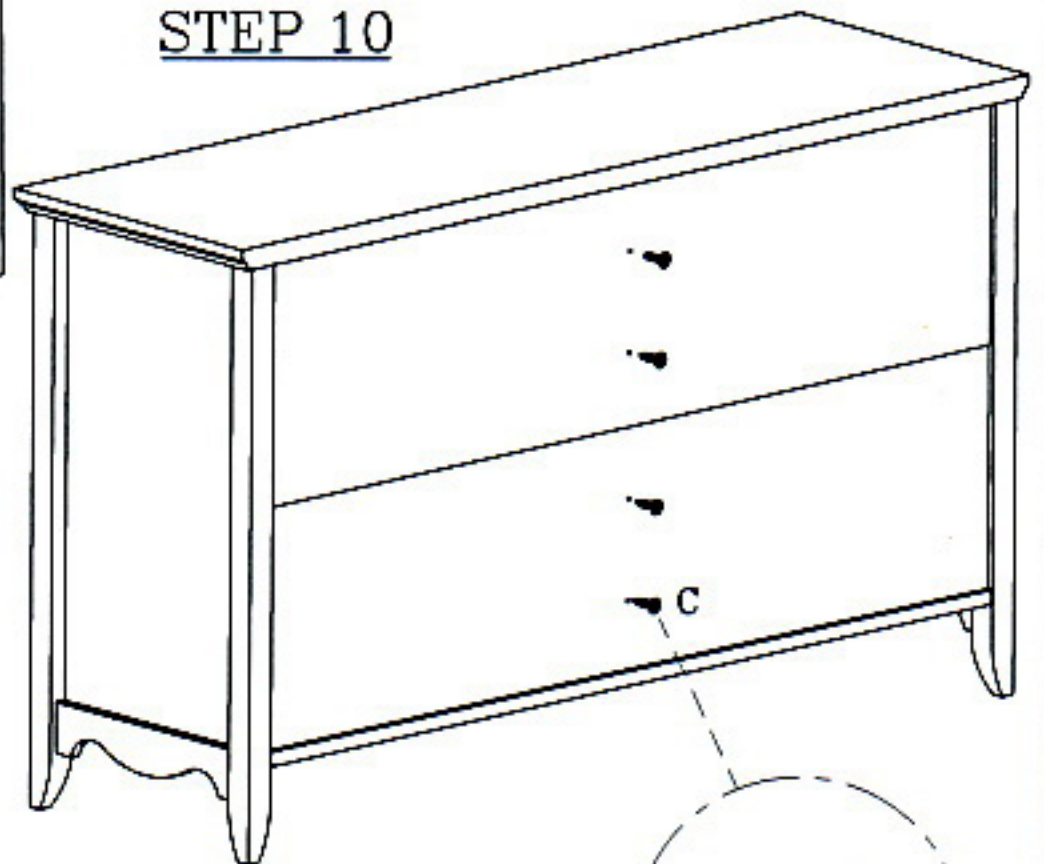
STEP 8



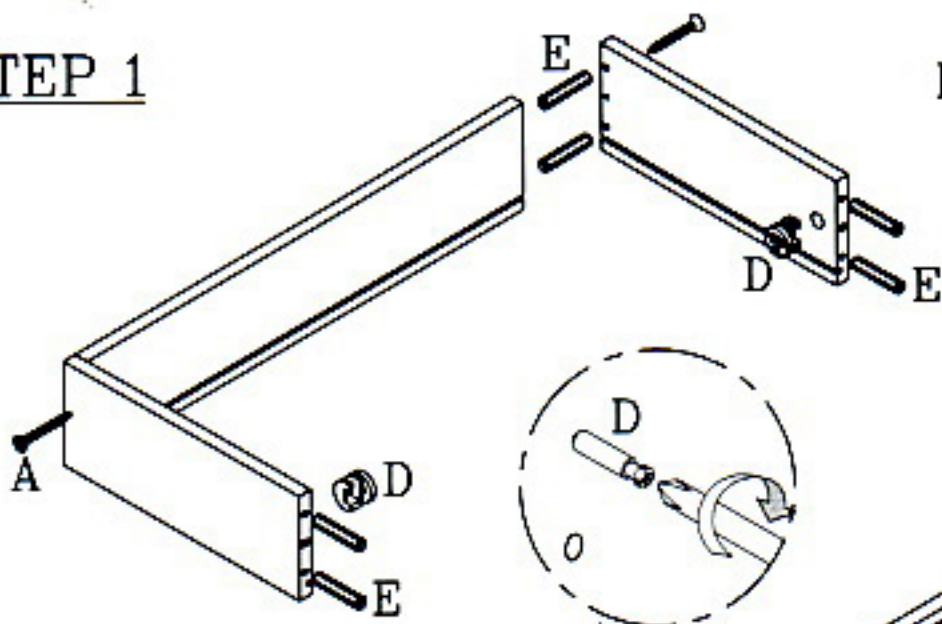
STEP 9



STEP 10

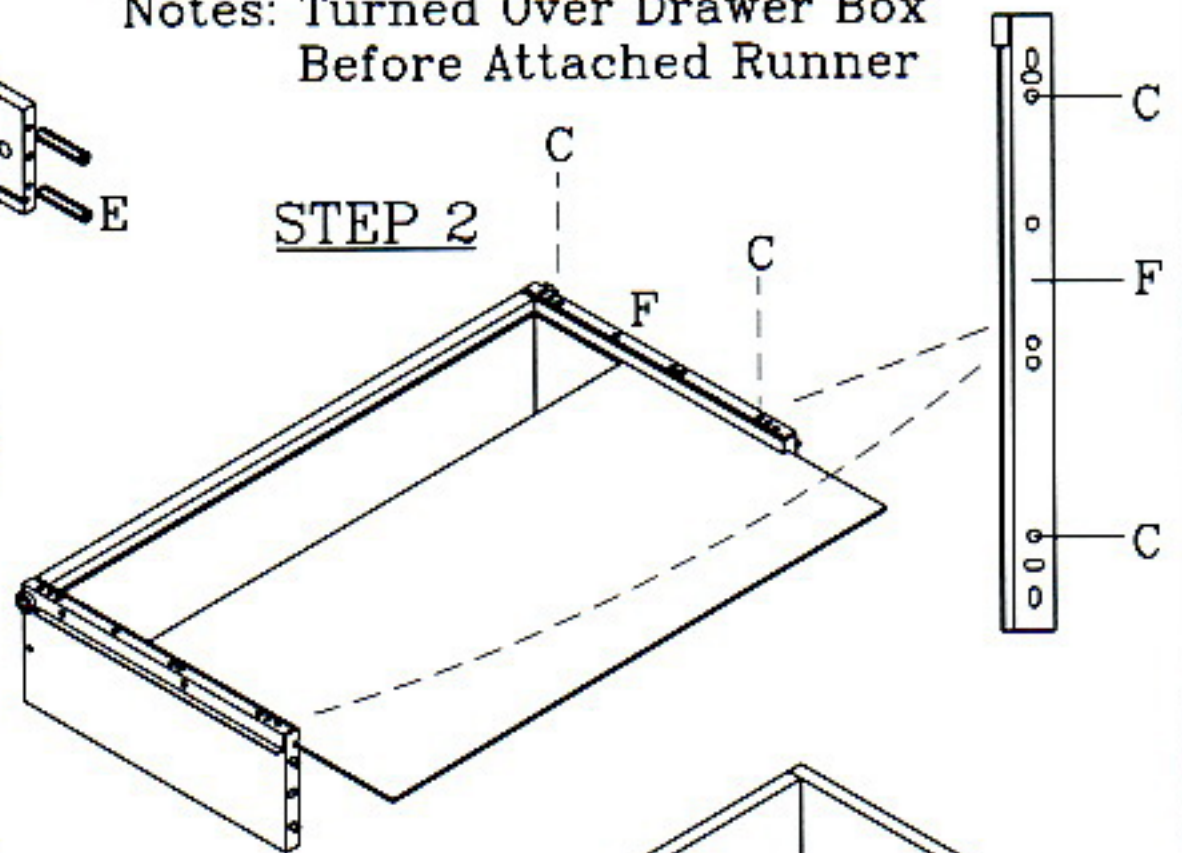


STEP 1

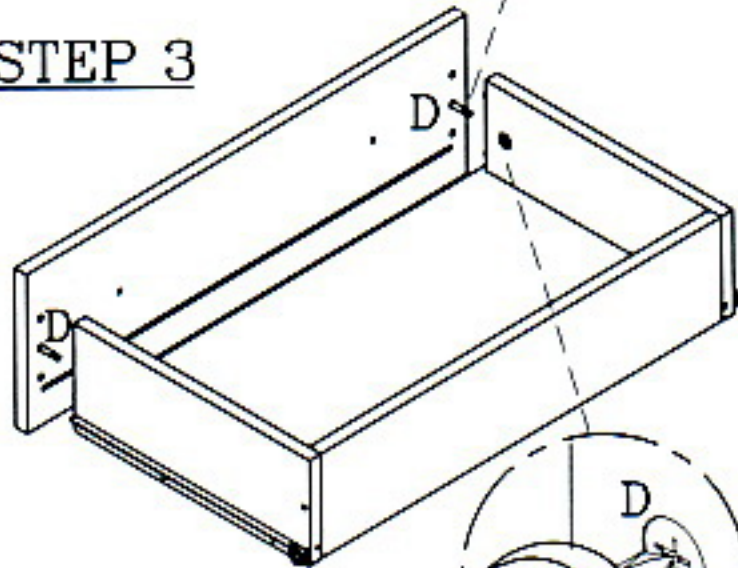


Notes: Turned Over Drawer Box Before Attached Runner

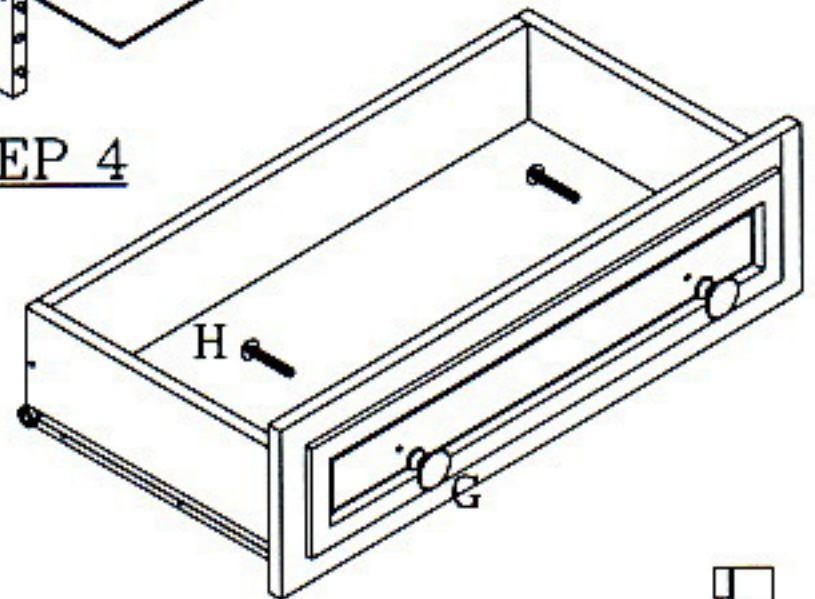
STEP 2



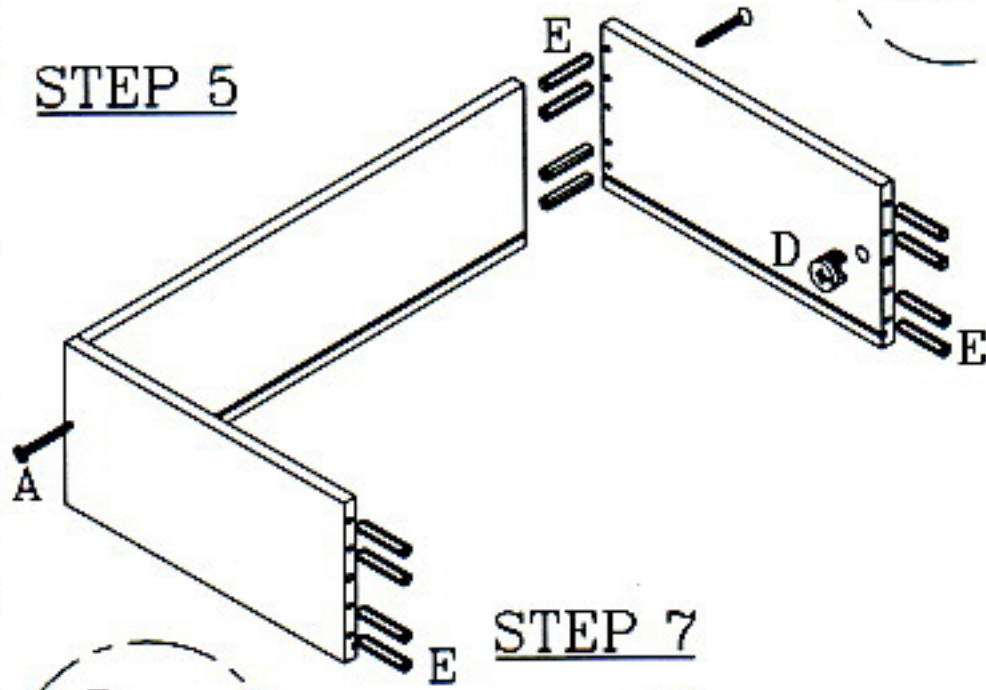
STEP 3



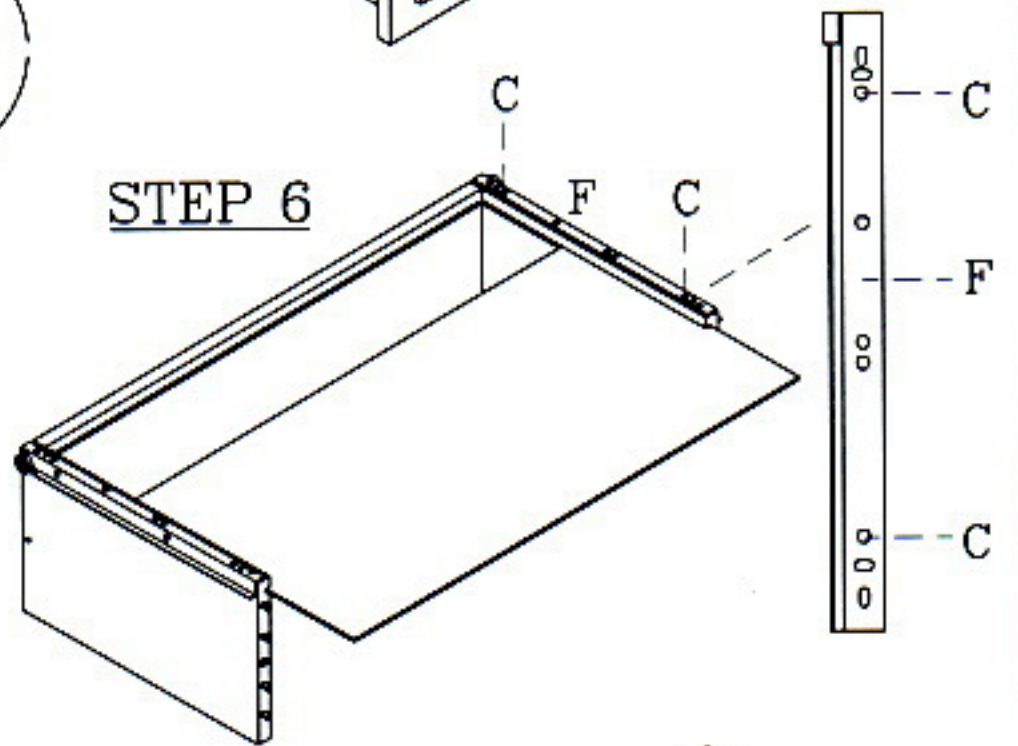
STEP 4



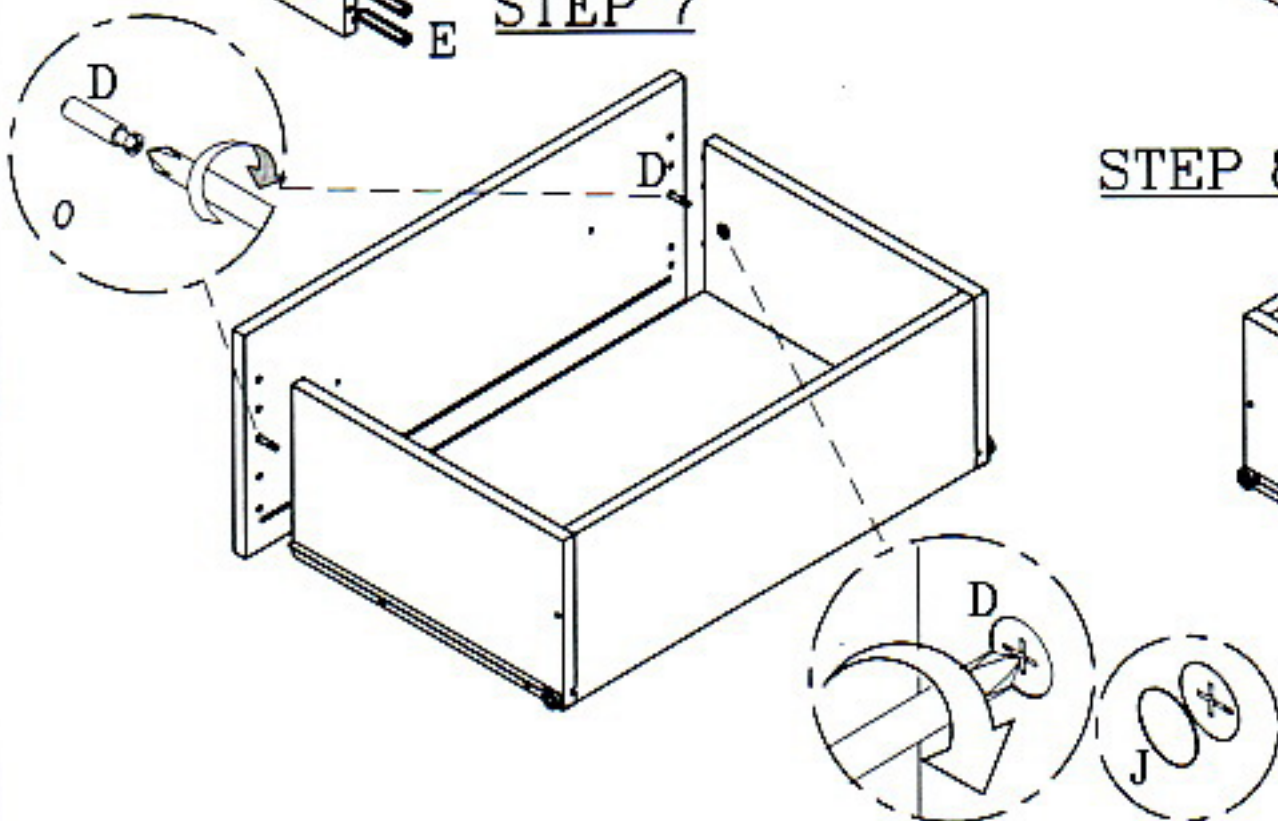
STEP 5



STEP 6



STEP 7



STEP 8

