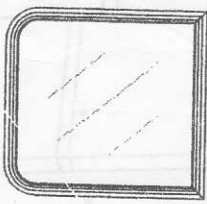
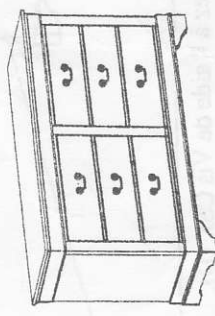


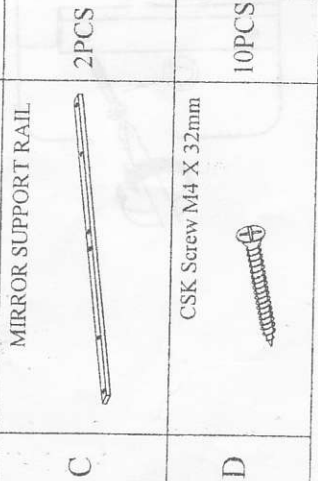
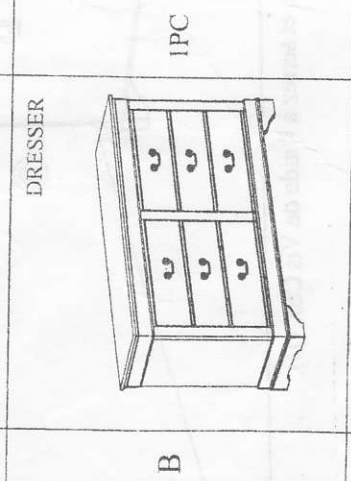
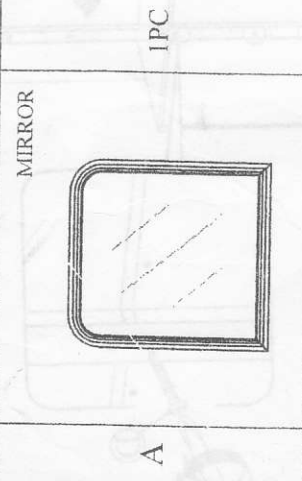


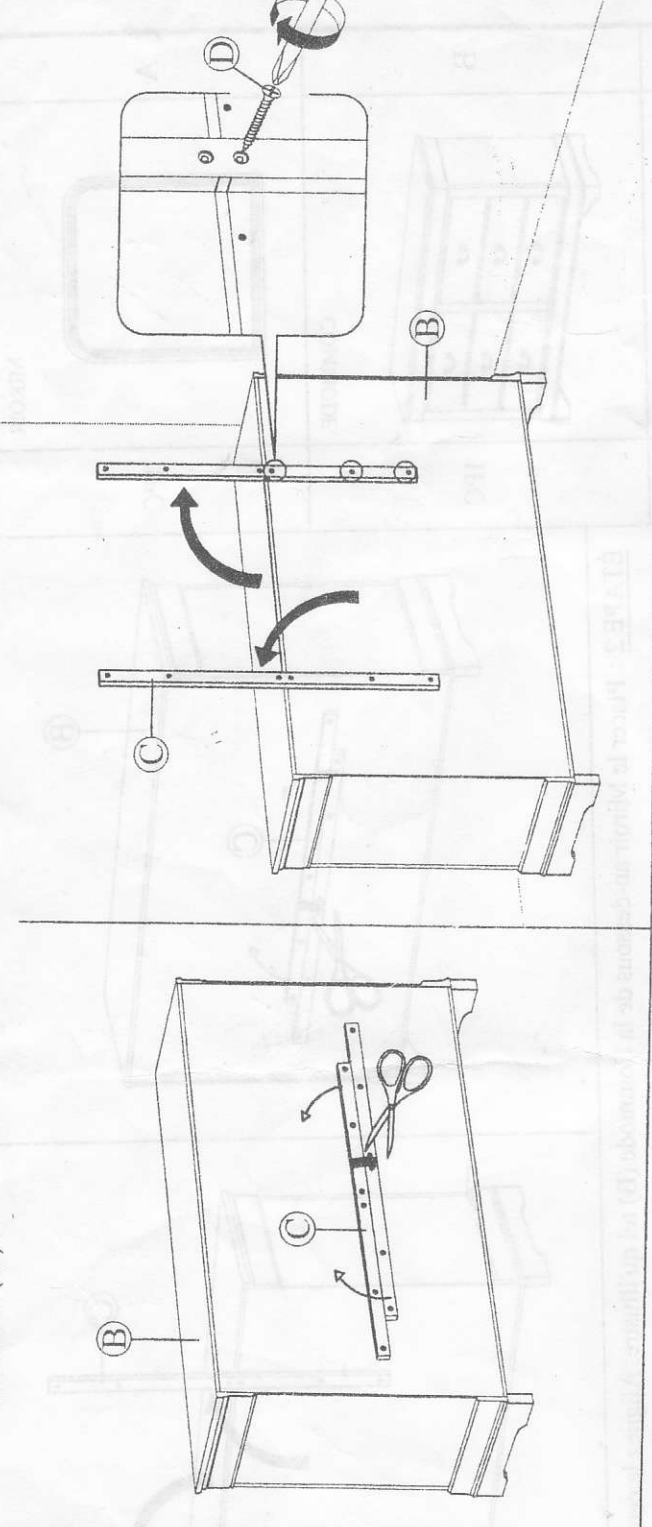
# ASSEMBLY INSTRUCTIONS

Model : LOUIS PHILIPS MIRROR

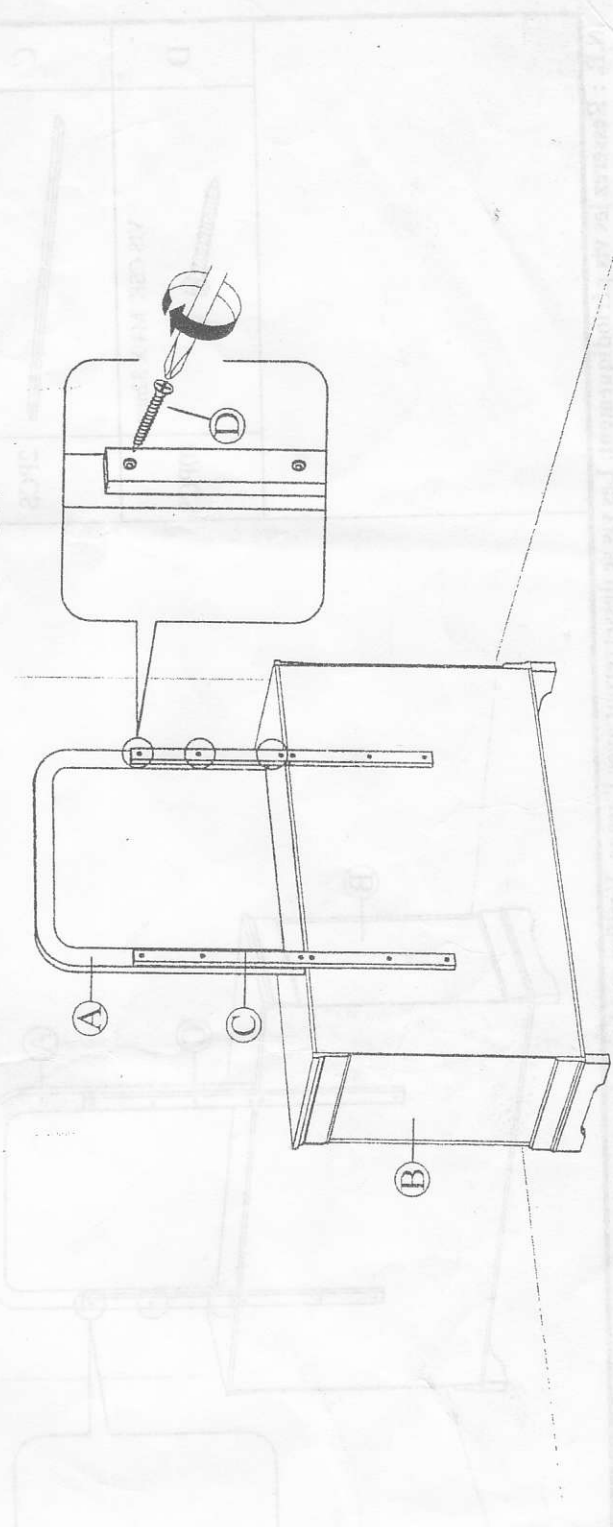
NO.	PARTS LIST	QTY.
A	MIRROR 	1PC
B	DRESSER 	1PC
C	MIRROR SUPPORT RAIL 	2PCS
D	CSK Screw M4 X 32mm 	10PCS



STEP 1 : Cut of the raffia string from the back of Dresser (B) .Turn the Mirror Support Rail (C) upward at the back of Dresser (B), then tighten with CSK Screw (D) .



STEP 2 : Place the Mirror ( A ) on the top of Dresser ( B ) as shown and tighten with CSK Screw ( D ) .



NOTE : MUST TIGHTEN SCREWS PERIODICALLY WITH USE SCREW WILL BECOME LOOSE CHECK TIGHTNESS OF ALL SCREW EVERY 6-8 WEEKS.