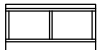
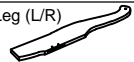

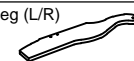
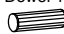
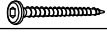





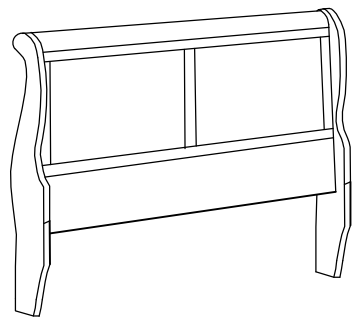
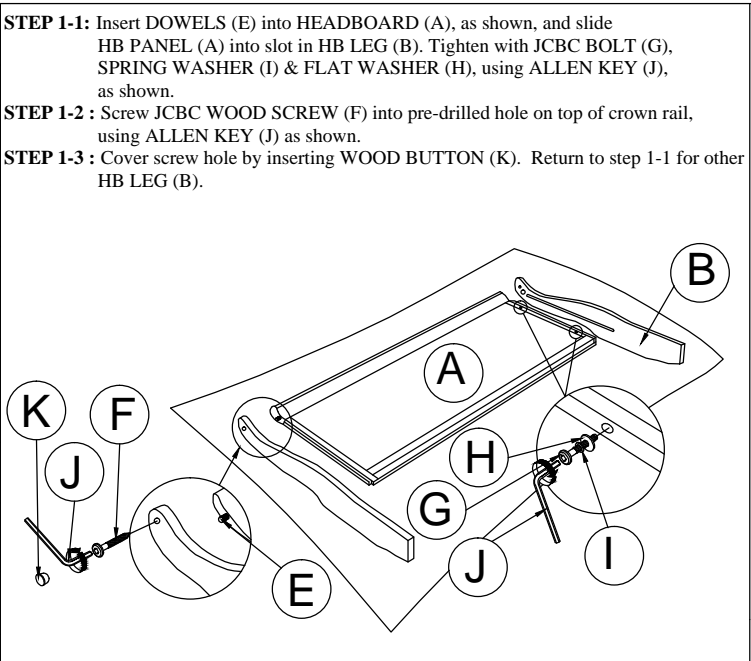
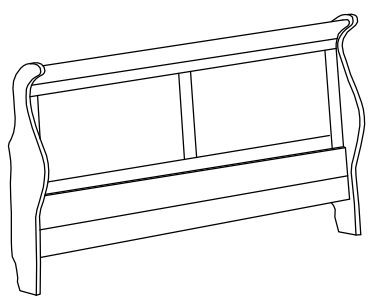
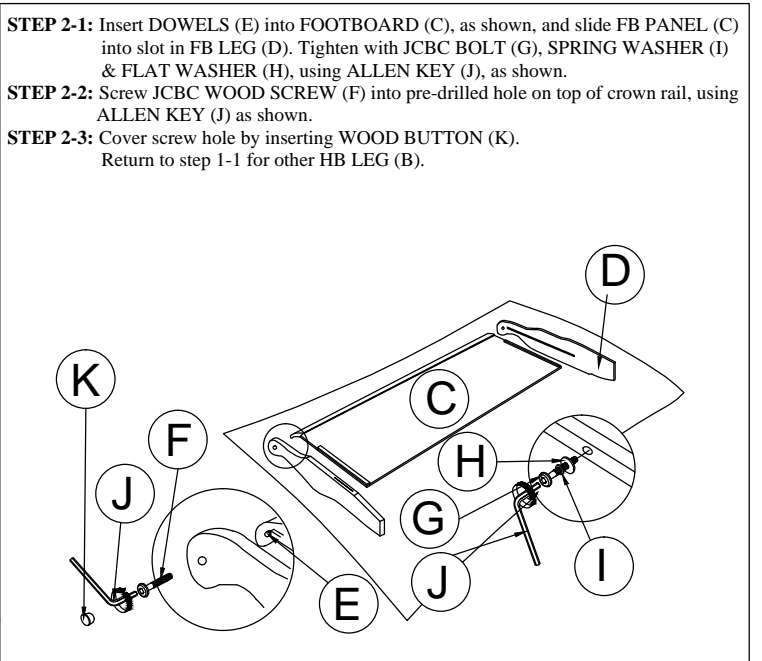


ASSEMBLY INSTRUCTIONS

| MODEL : 5933K/5938/5934 (QUEEN / KING / TWIN / FULL BED) | | |
|---|---|-------|
| NO. | PART LIST | QTY |
| A | Head Board  | 1 PC |
| B | HB Leg (L/R)  | 2 PCS |
| C | Foot Board  | 1 PC |
| D | FB Leg (L/R)  | 2 PCS |
| NO. | HARDWARE LIST | QTY |
| E | Wooden Dowel 10 x 40mm  | 4 PCS |
| F | JCBC-W M7 x 40mm  | 4 PCS |
| G | JCBC Bolt M6 x 35mm  | 8 PCS |
| H | Flat Washer  | 8 PCS |
| I | Spring Washer  | 8 PCS |
| J | Allen Key - M4  | 1 PC |
| K | Wood Button  | 4 PCS |



ASSEMBLY COMPLETED !!!



ASSEMBLY COMPLETED !!!

NOTE : SCREWS LOOSEN WITH USE. CHECK FOR LOOSE SCREWS AND TIGHTEN EVERY 6-8 WEEKS.