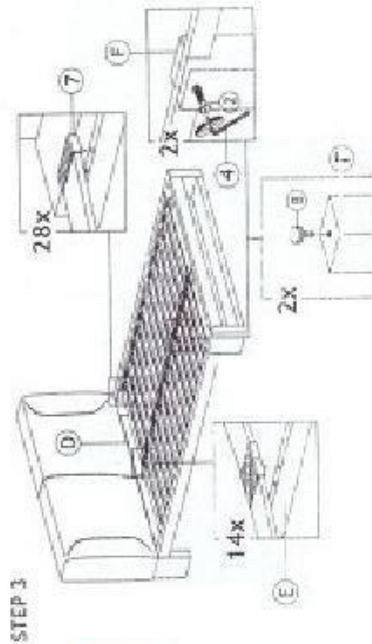
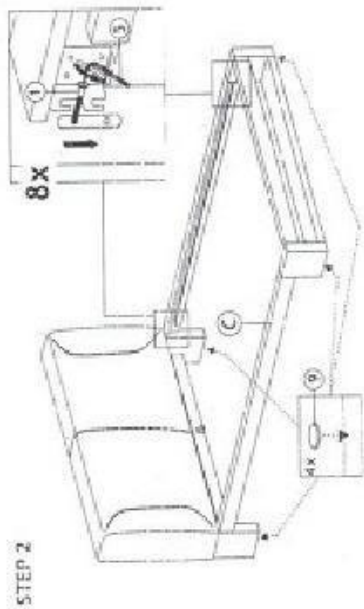
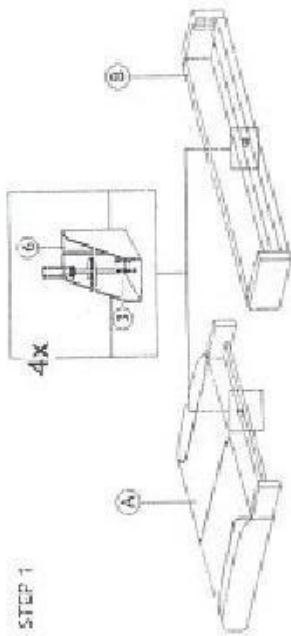


FELTON



PRODUCT DESCRIPTION

Read instruction carefully. Remove all wrapping material staples and straps from the carton see hardware and furniture part list for guidance. Be sure you have all parts before you start assembling. Place all wooden furniture part a clean and flat soft surface, such as carpet or to prevent from scratched.

CAUTION:

KEEP ALL HARDWARE PART OUT OF REACH OF CHILDREN.

| HARDWARE LIST | | |
|---------------|----------------------|---------|
| ITEM | DESCRIPTION | QTY |
| 1 | JCBB SCREW M8 x 50MM | 8 PCS |
| 2 | JCBC SCREW M6 x 50MM | 2 PCS |
| 3 | CSK 3.5MM x 16MM | 4 PCS |
| 4 | ALLEN KEY M4 | 1 PC |
| 5 | ALLEN KEY M5 | 1 PC |
| 6 | L BRACKET | 2 PCS |
| 7 | CAP | 14 SETS |
| 8 | ADJUSTABLE SCREW | 2 PCS |
| 9 | PROTECTIVE DISC | 4 PCS |

| PART LIST | | |
|-----------|----------------|--------|
| ITEM | DESCRIPTION | QTY |
| A | HEADBOARD | 1 PC |
| B | FOOTBOARD | 1 PC |
| C | SIDE RAIL | 2 PCS |
| D | SLAT VENEER | 28 PCS |
| E | CENTRE SUPPORT | 1 PC |
| F | LEG SUPPORT | 2 PCS |



www.hinlim.com



ISO 9001:2000
Certificate No. 2502