









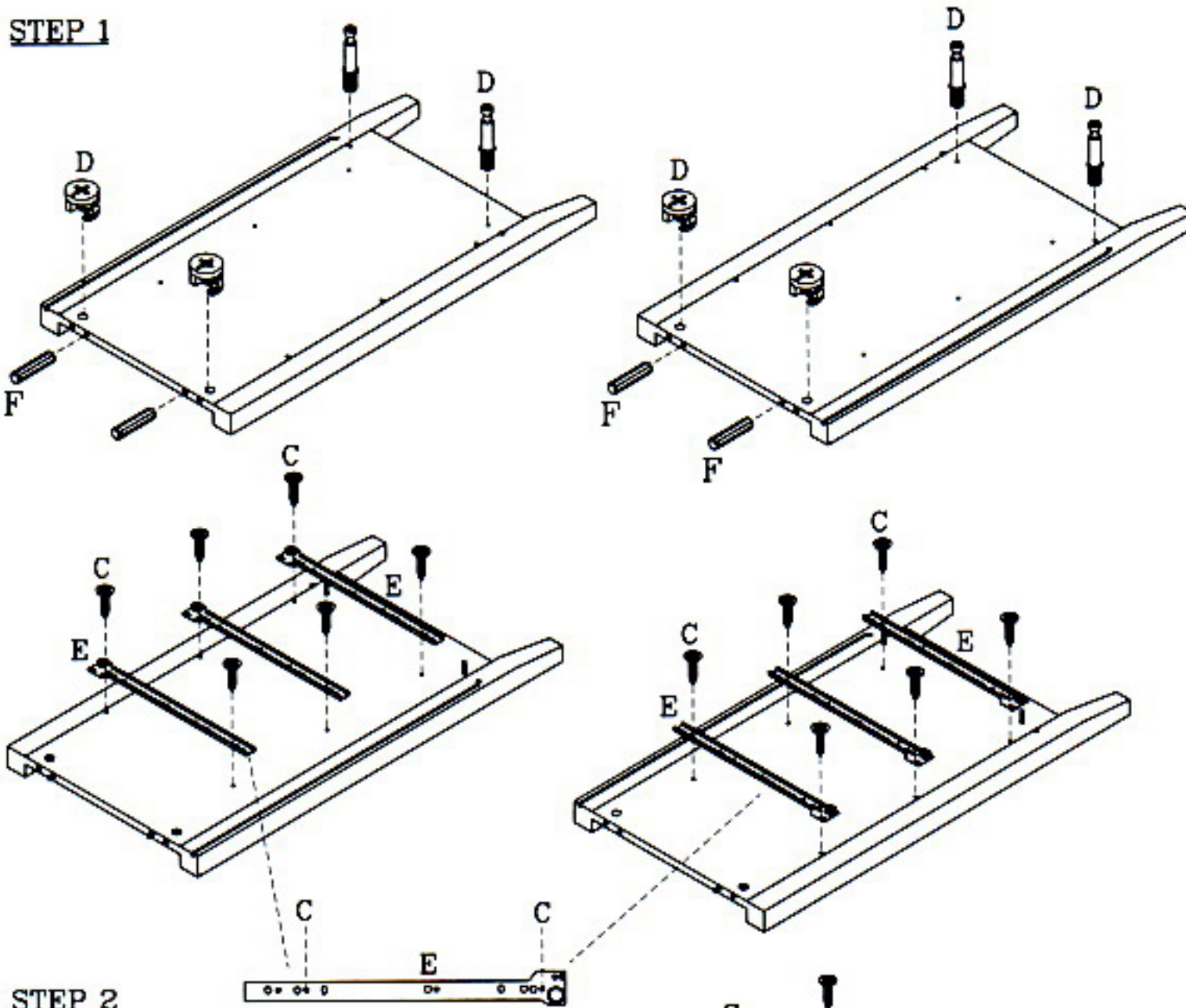


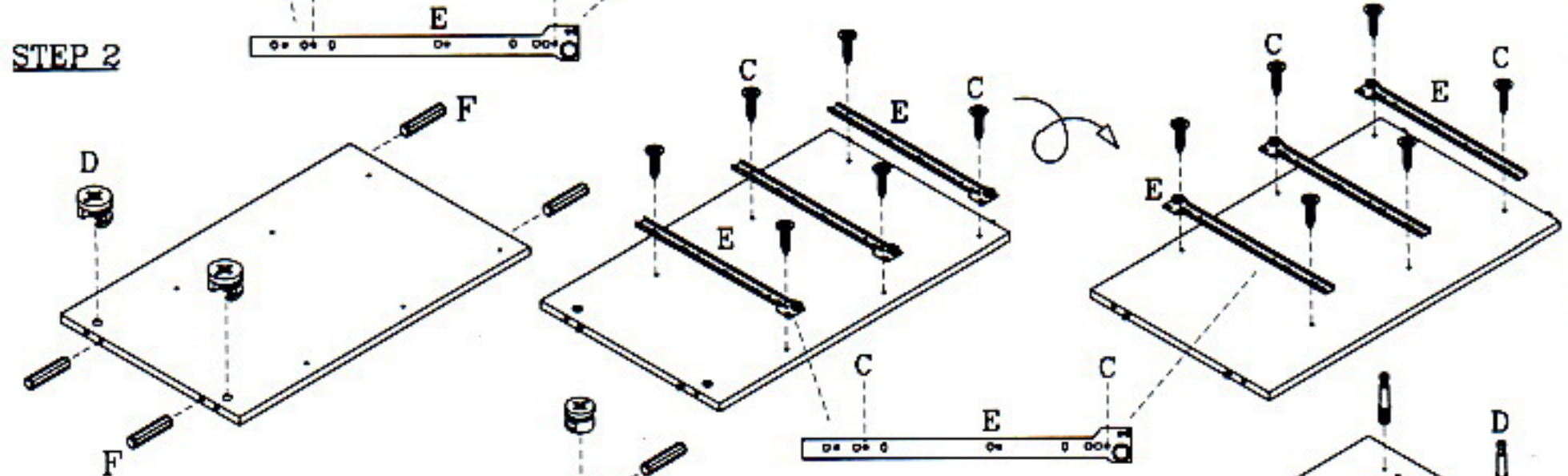
HARDWARE LIST

<p>A</p>  <p>WOODEN KNOB (12Pcs)</p>	<p>B</p>  <p>CHIPBOARD SCREW M4X32mm (12Pcs)</p>	<p>C</p>  <p>CHIPBOARD SCREW M4X16mm (52Pcs)</p>	<p>D</p>  <p>CAM LOCK & CAM BOLT (22Sets)</p>	<p>E</p>  <p>RUNNER 350mm (8Sets)</p>	<p>F</p>  <p>WOOD DOWEL M6X35mm (12Pcs)</p>	<p>G</p>  <p>WOOD DOWEL M6X30mm (72Pcs)</p>	<p>H</p>  <p>PANHEAD SCREW M4X25mm (12Pcs)</p>
<p>I</p>  <p>CAM LOCK COVER (22Pcs)</p>	<p>J</p>  <p>CHIPBOARD SCREW M4X38mm (2Pcs)</p>						

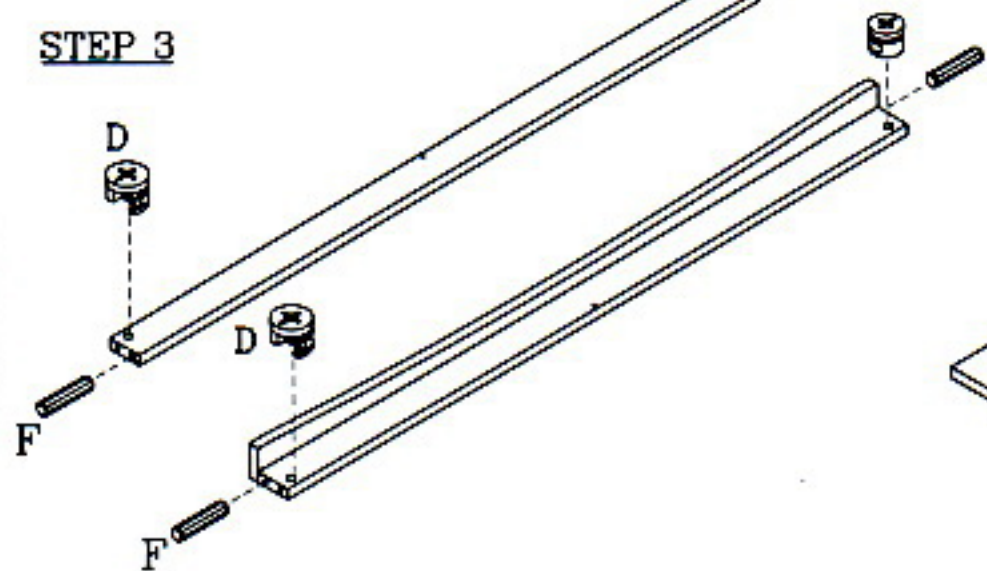
STEP 1



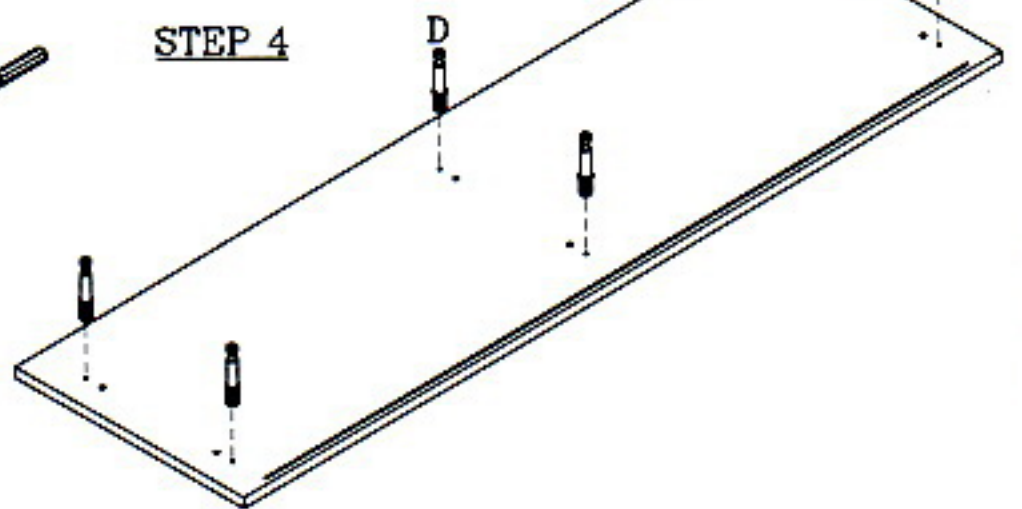
STEP 2



STEP 3

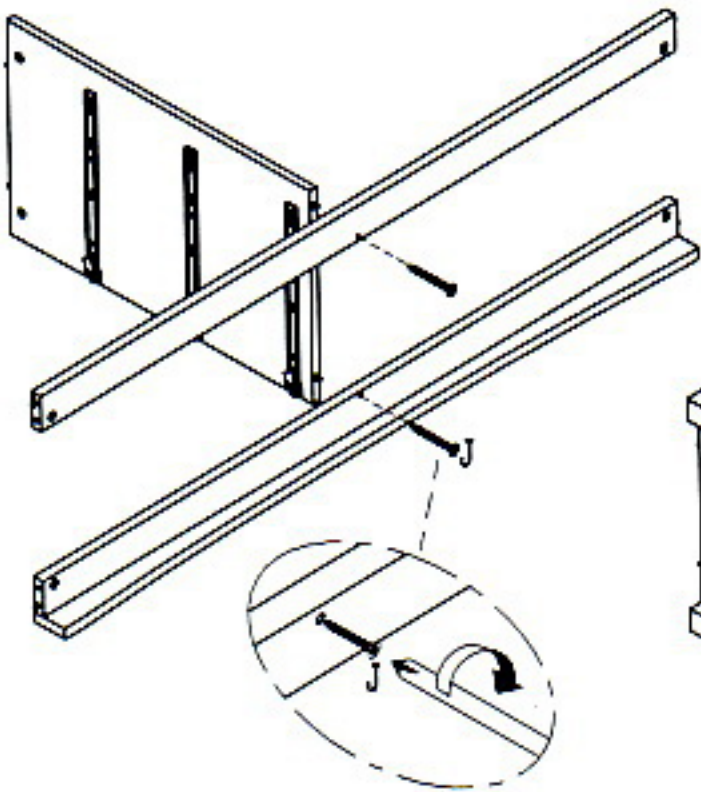


STEP 4

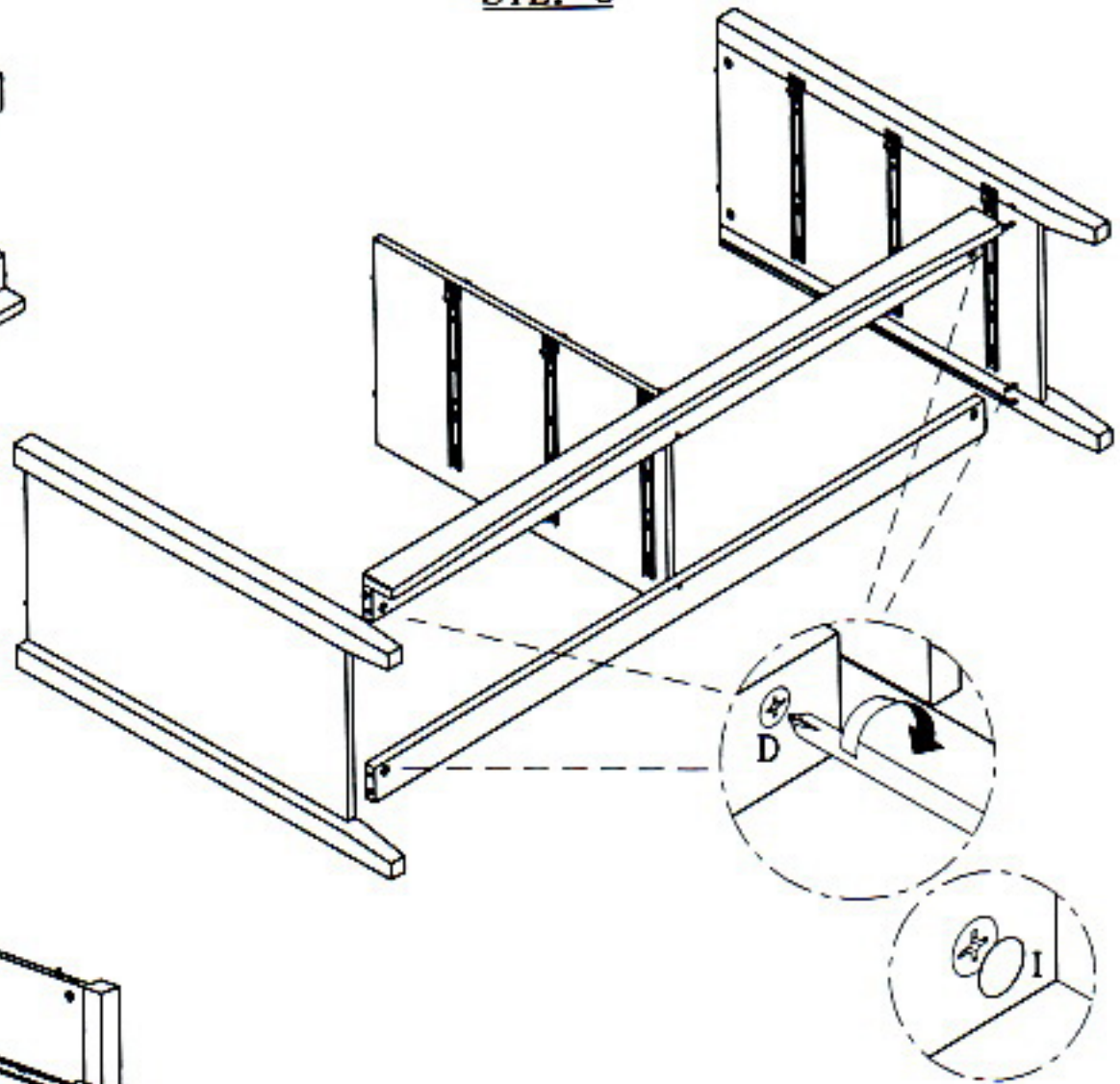


-THE UNIT SHOULD BE ASSEMBLED BY 2 OR MORE PEOPLE
-EXTRA HARDWARE INCLUDED

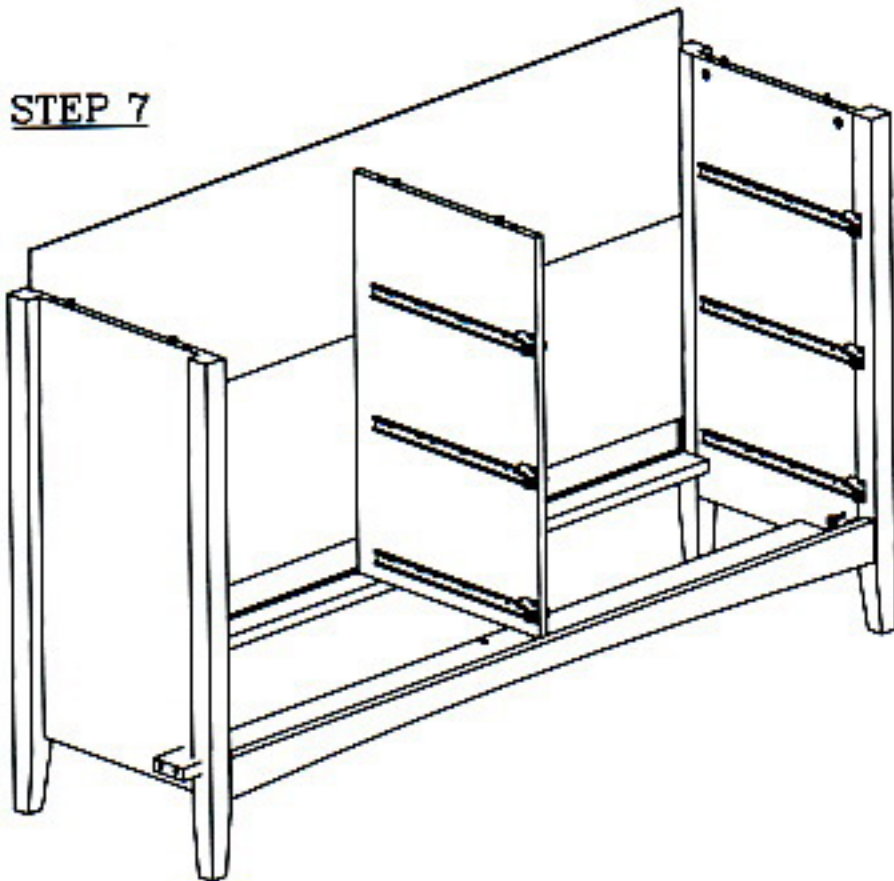
STEP 5



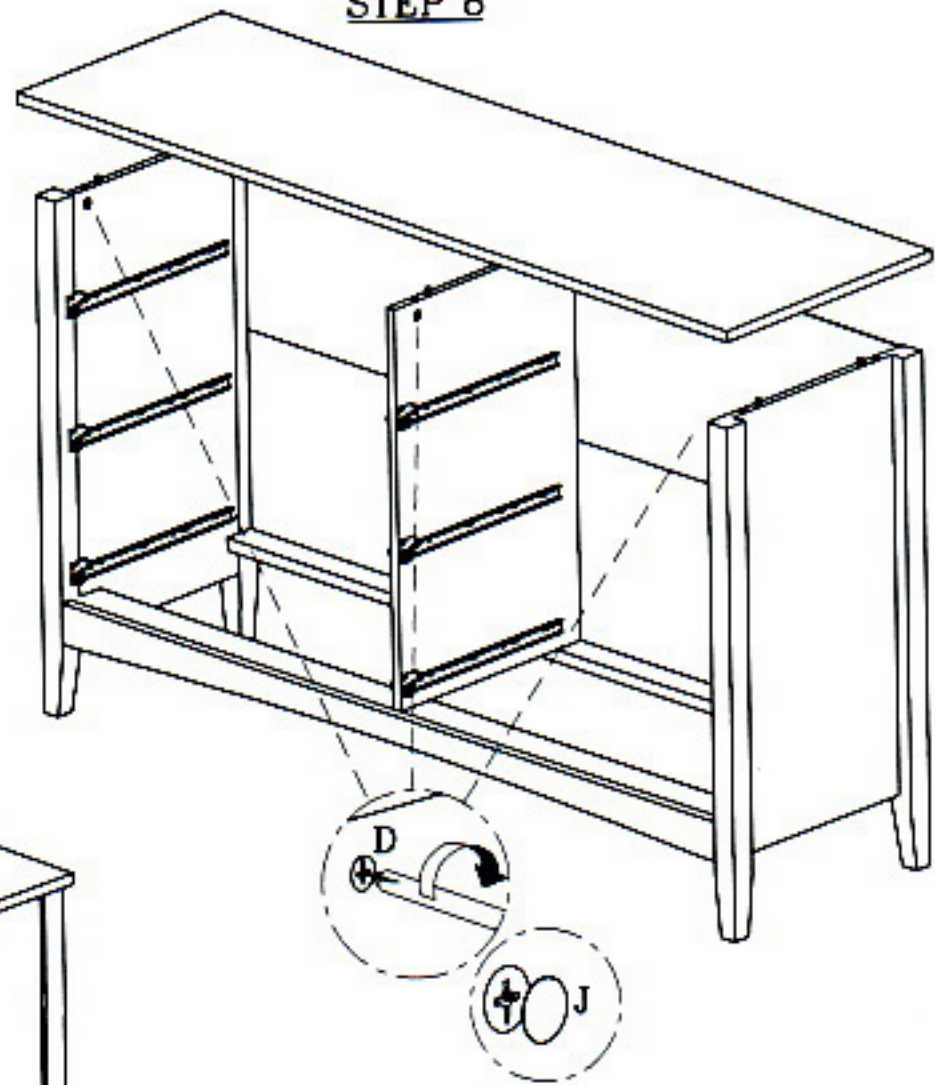
STEP 6



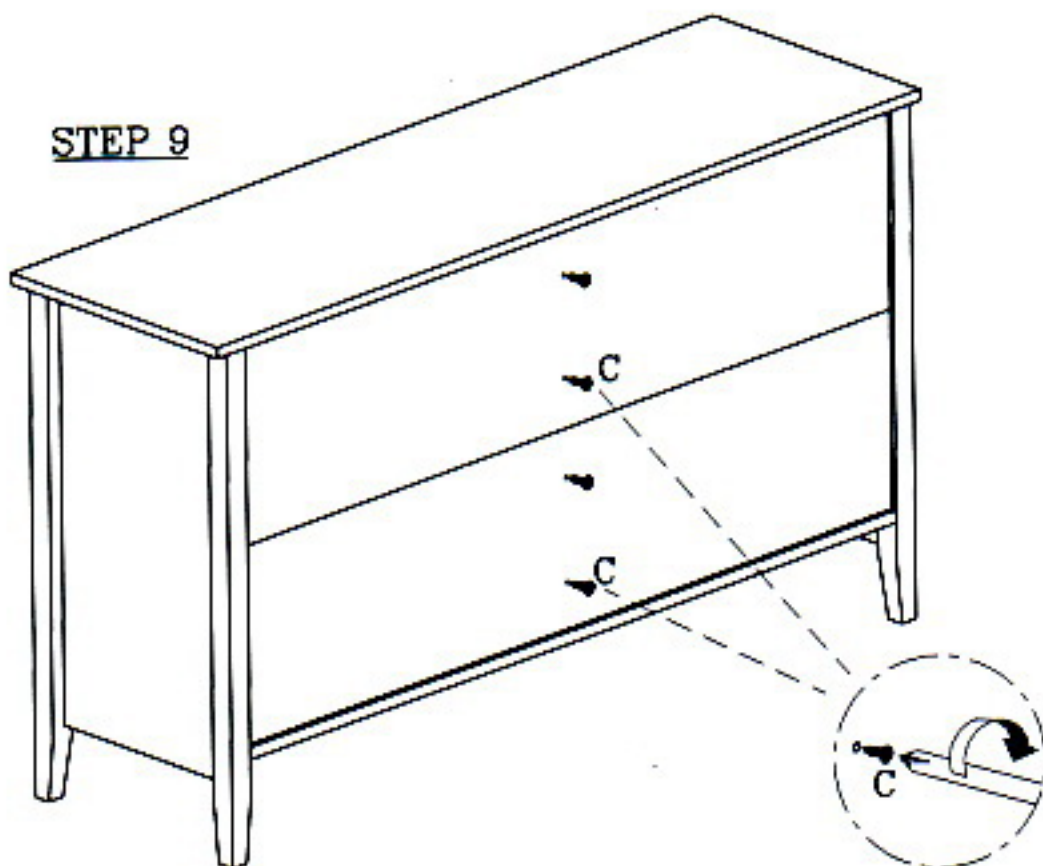
STEP 7



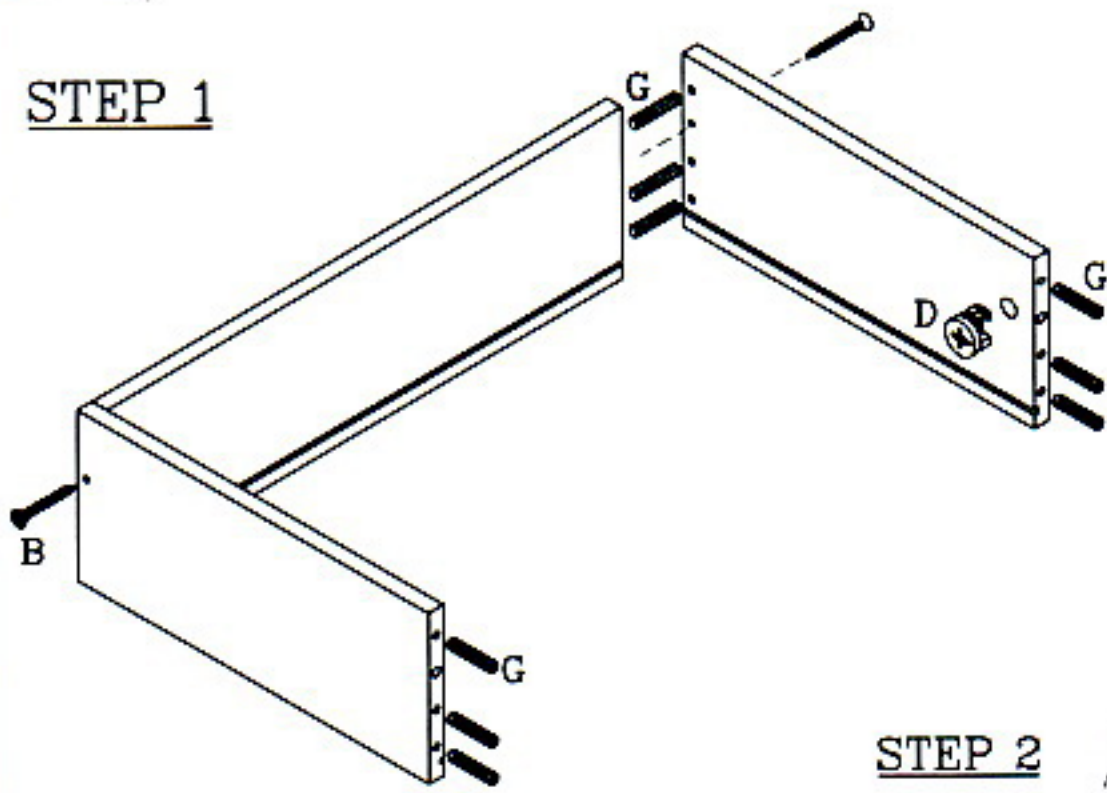
STEP 8



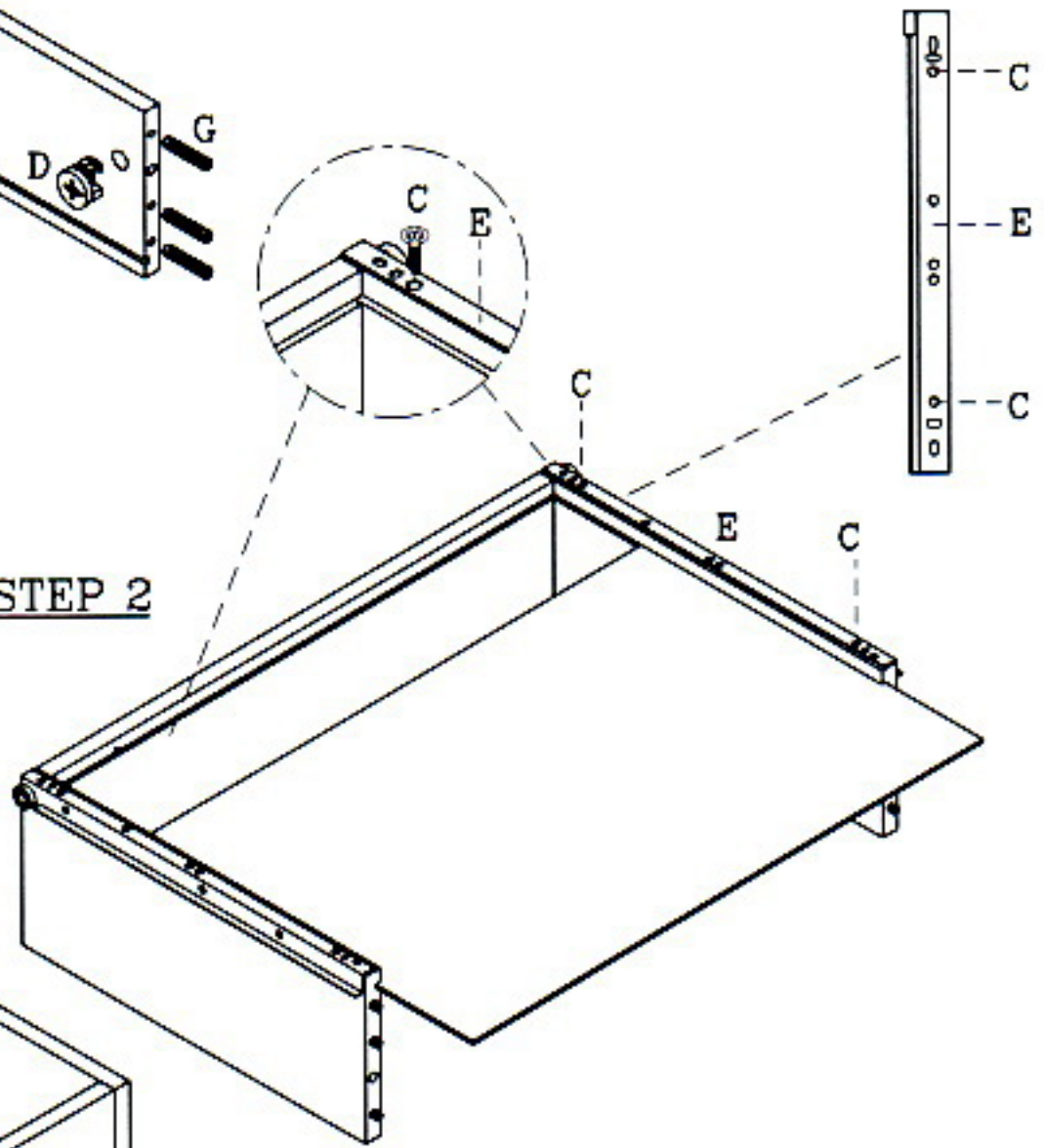
STEP 9



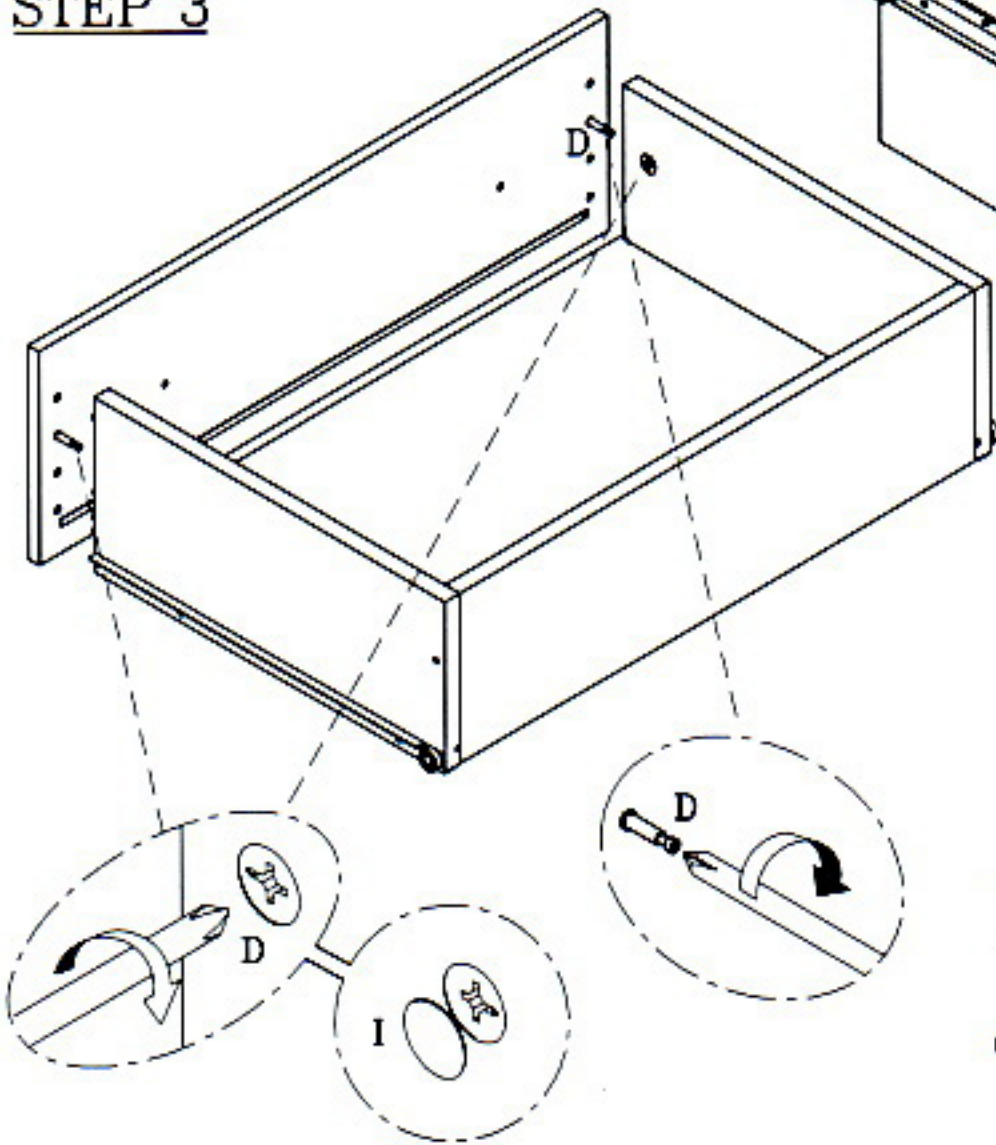
STEP 1



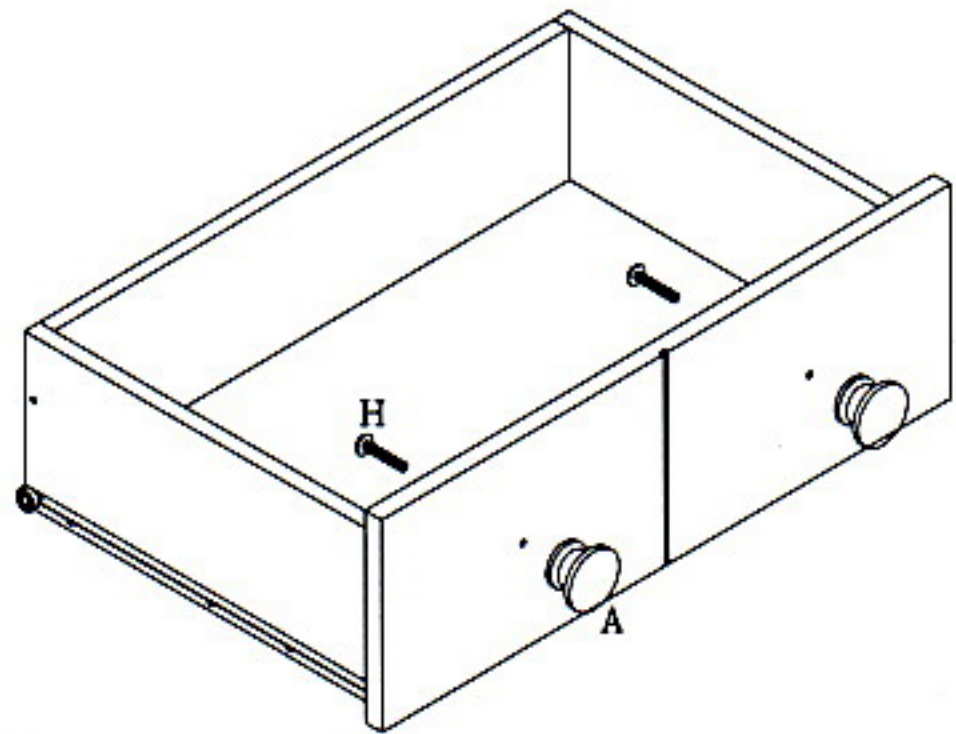
STEP 2



STEP 3



STEP 4



STEP 5

