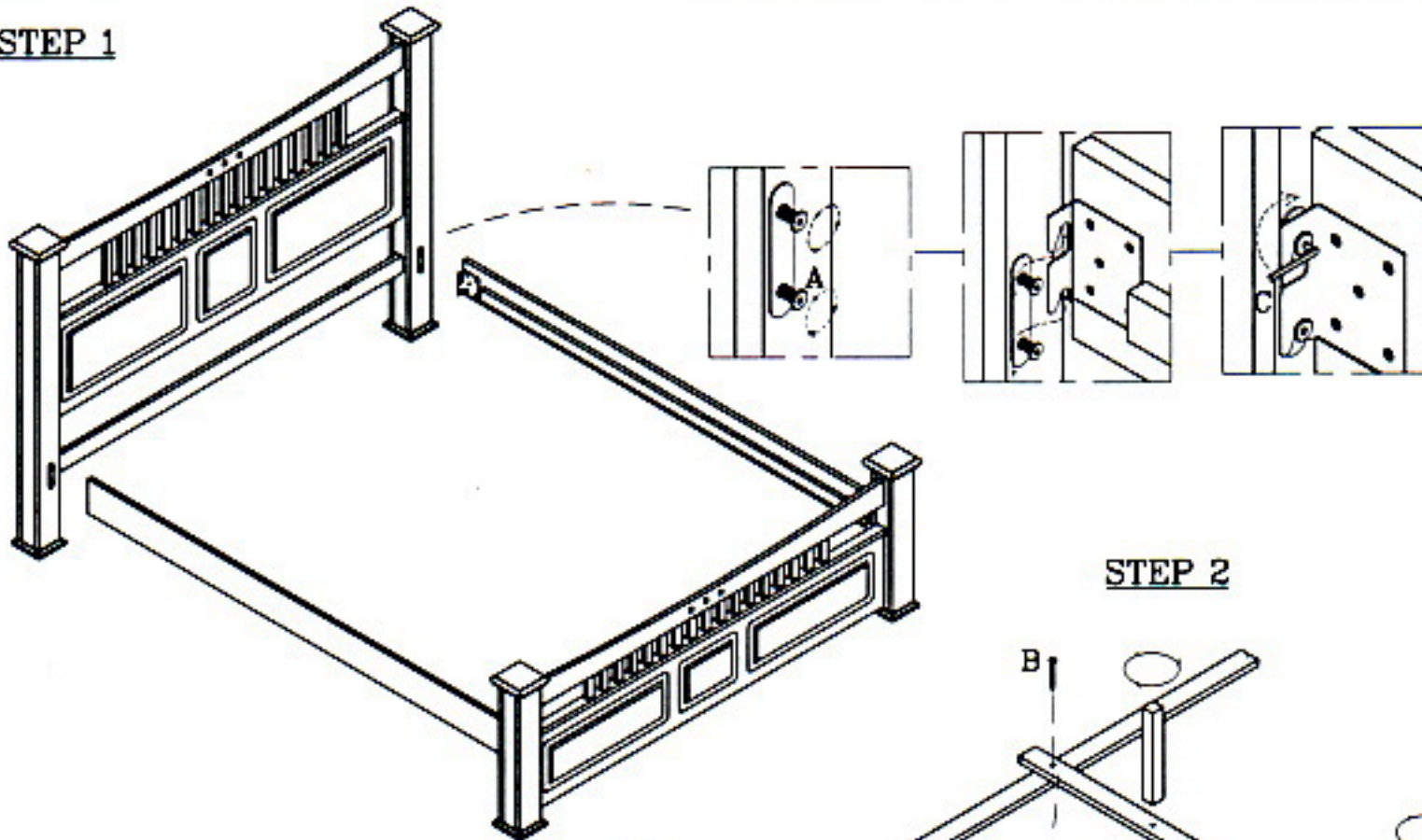


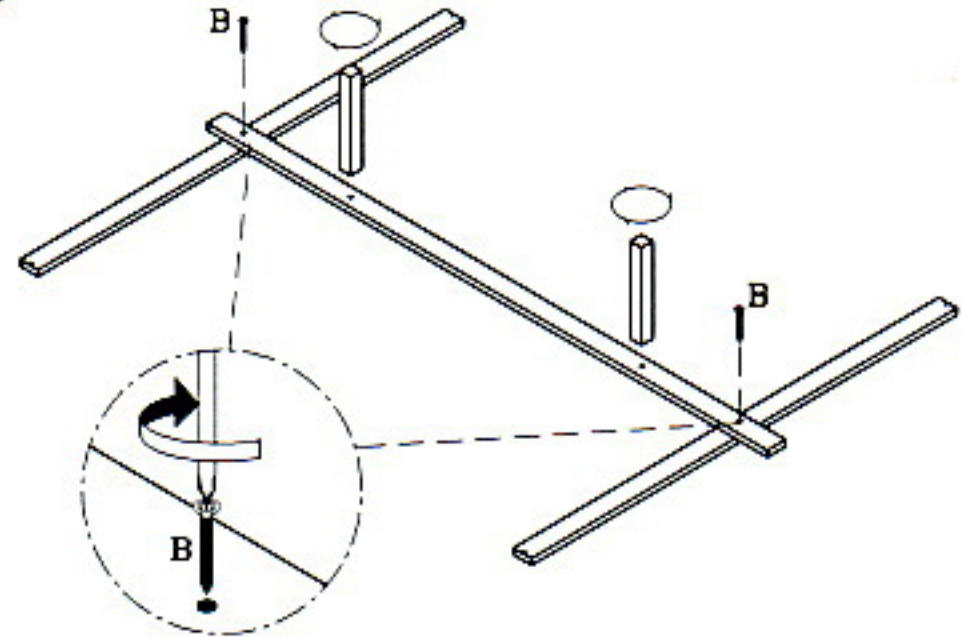
HARDWARE LIST

<p>A</p>  <p>JCBB M8X16mm (8Pcs)</p>	<p>B</p>  <p>CHIPBOARD SCREW M4X32mm (26Pcs)</p>	<p>C</p>  <p>ALLEN KEY M6 (1Pc)</p>
--	--	---

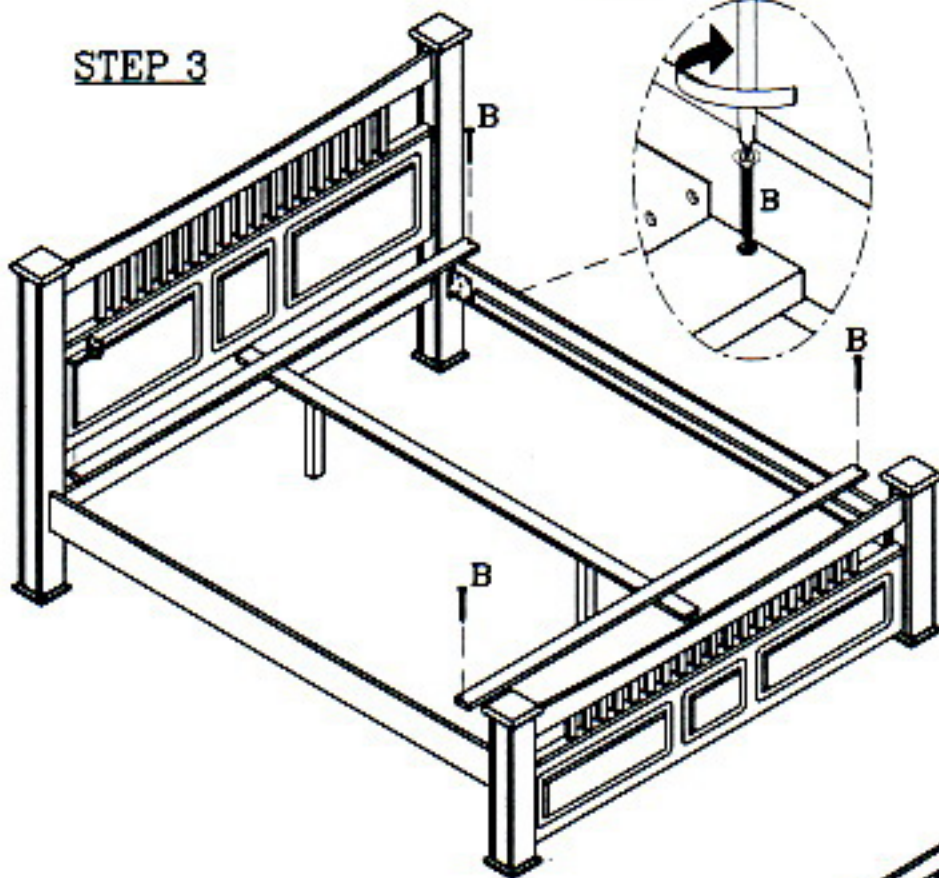
STEP 1



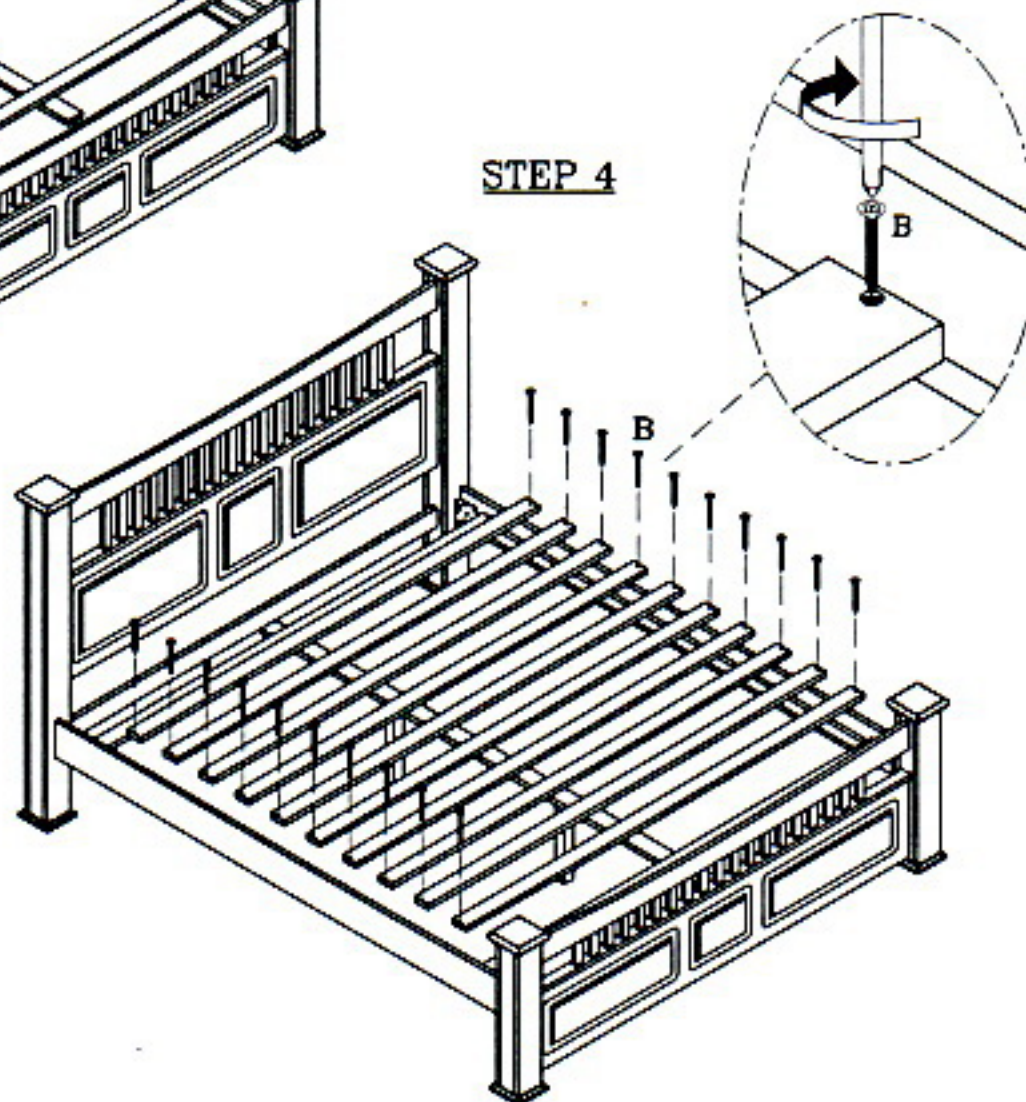
STEP 2



STEP 3



STEP 4



-THE UNIT SHOULD BE ASSEMBLED BY 2 OR MORE PEOPLE
-EXTRA HARDWARE INCLUDED