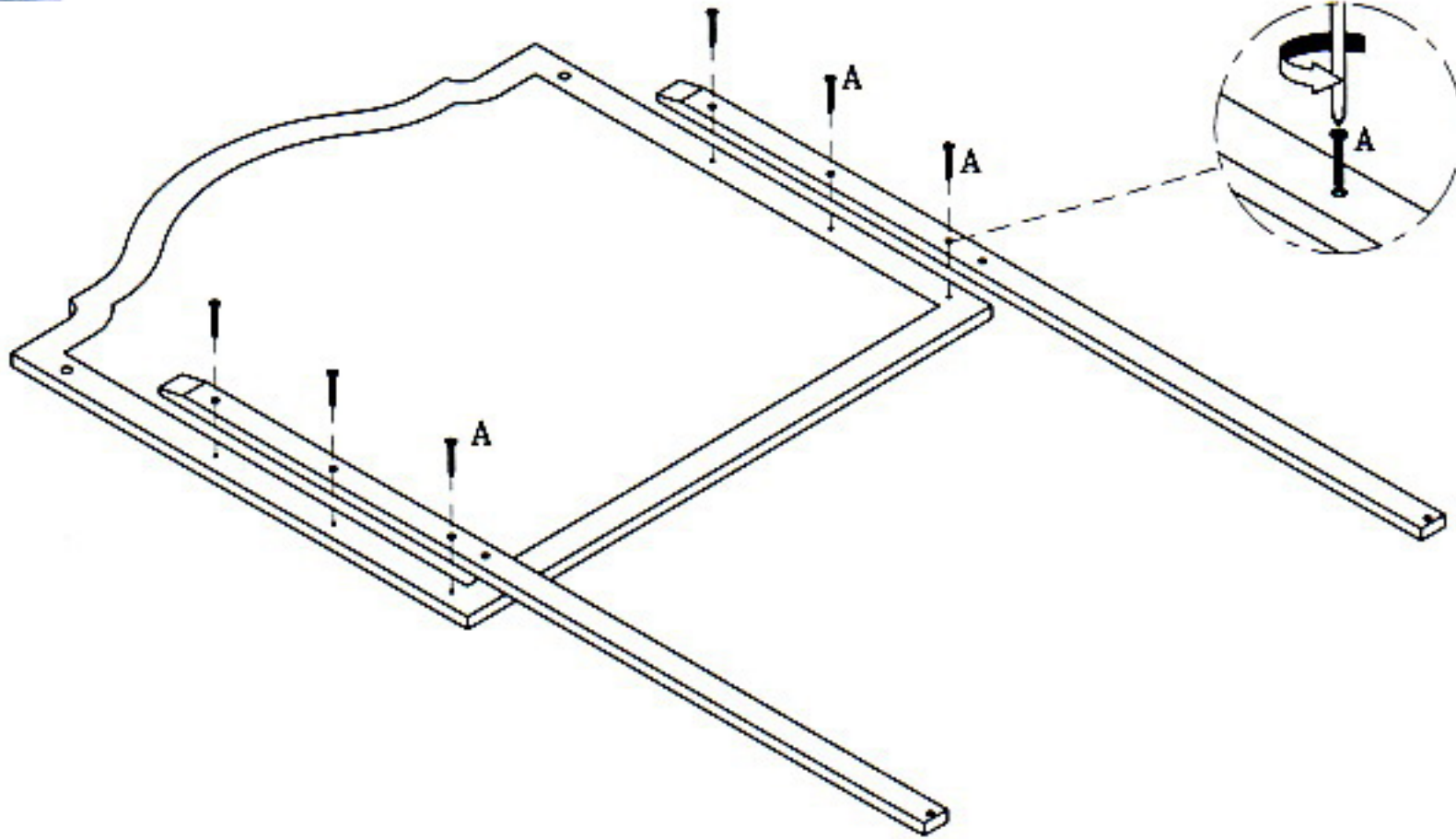


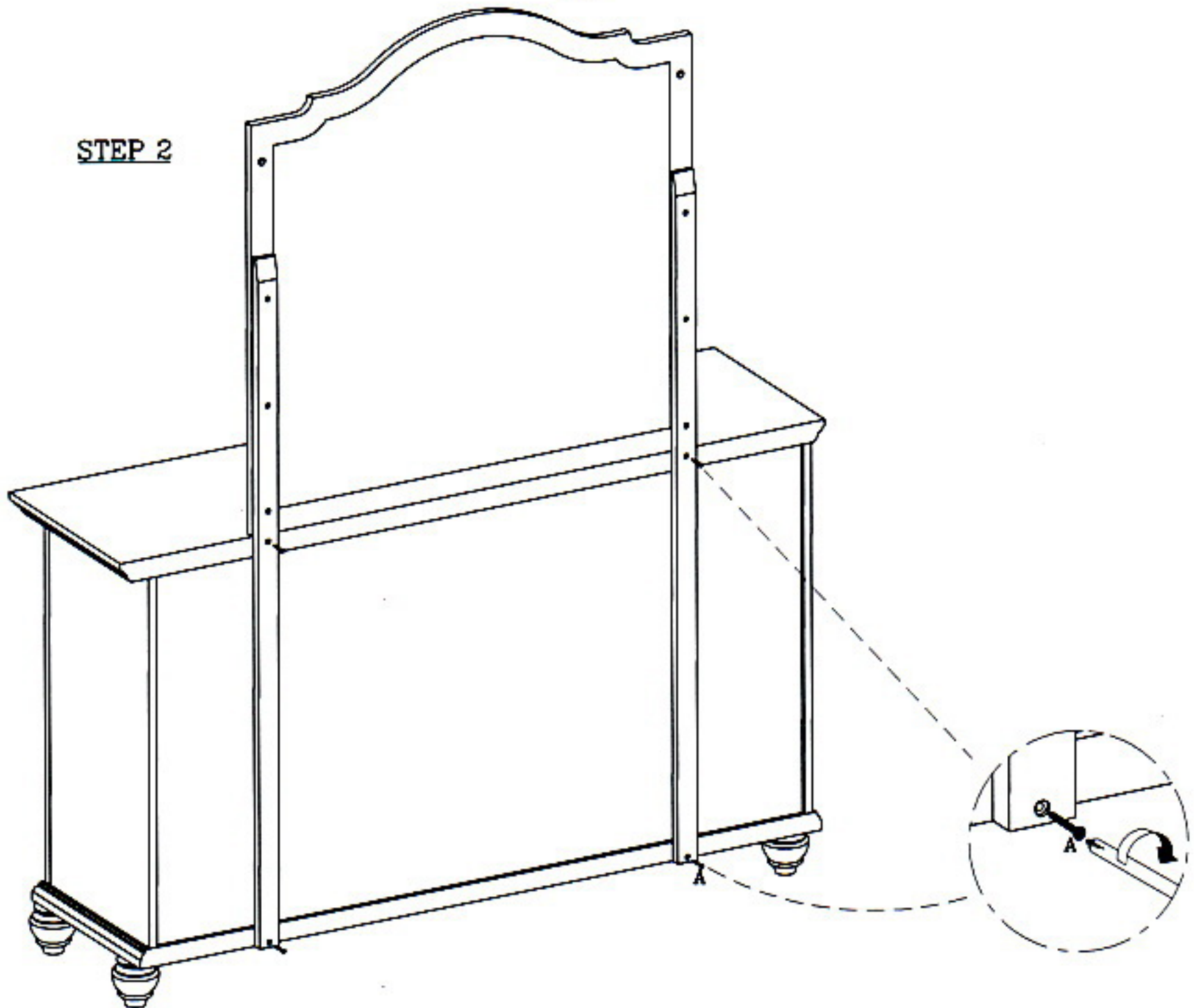
HARDWARE LIST

A   
CHIPBOARD SCREW  
M4X32mm  
(10Pcs)

STEP 1



STEP 2



-THE UNIT SHOULD BE ASSEMBLED BY 2 OR MORE PEOPLE  
-EXTRA HARDWARE INCLUDED