



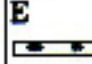
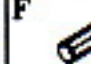




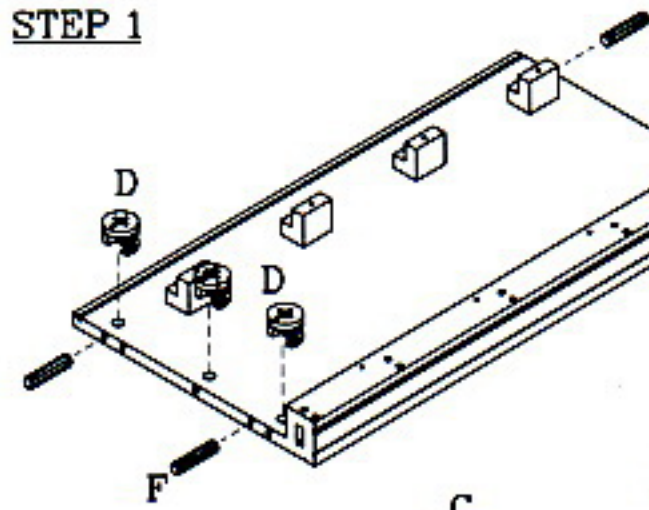


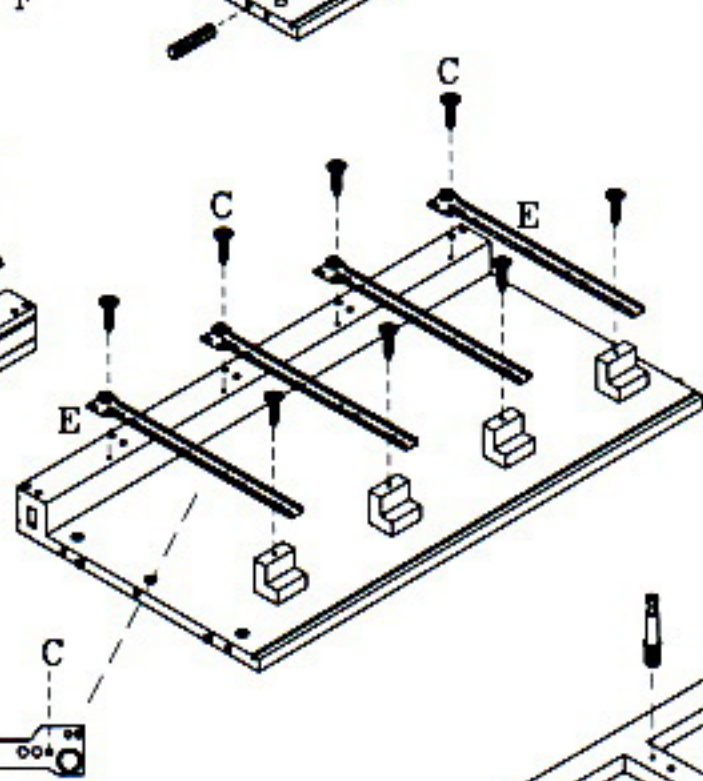
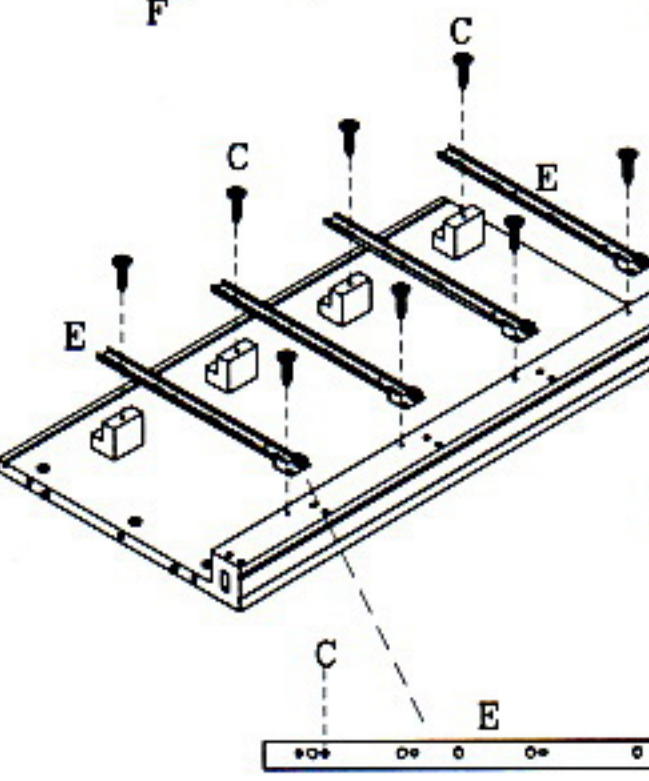
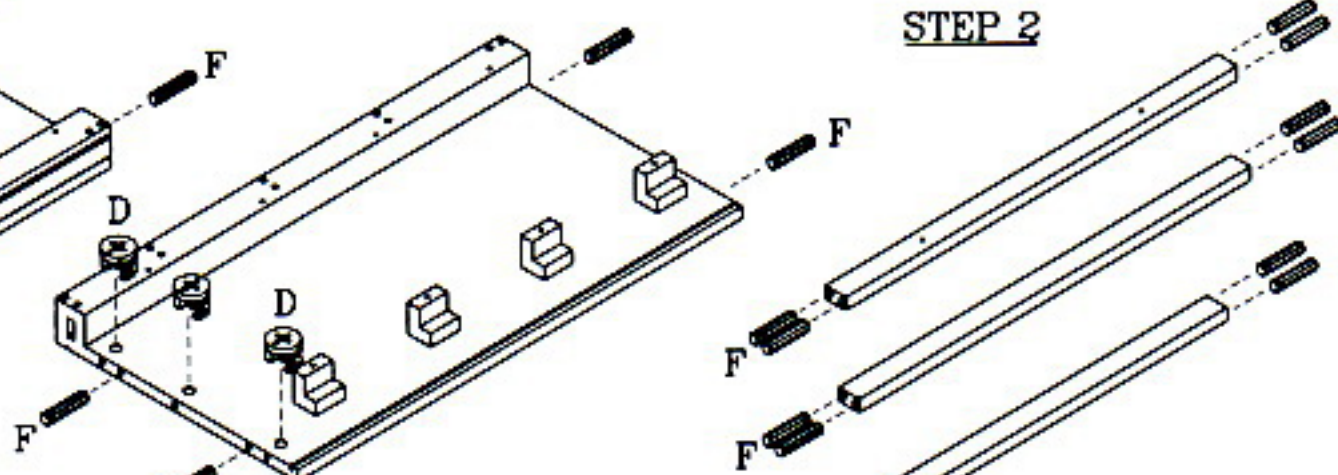
**HARDWARE LIST**

<p><b>A</b></p>  <p>CHIPBOARD SCREW M4X38mm (6Pcs)</p>	<p><b>B</b></p>  <p>CHIPBOARD SCREW M4X32mm (20Pcs)</p>	<p><b>C</b></p>  <p>CHIPBOARD SCREW M4X16mm (68Pcs)</p>	<p><b>D</b></p>  <p>CAM LOCK &amp; CAM BOLT (24Sets)</p>	<p><b>E</b></p>  <p>RUNNER 350mm (8Sets)</p>	<p><b>F</b></p>  <p>WOOD DOWEL M8X35mm (52Pcs)</p>	<p><b>G</b></p>  <p>WOOD DOWEL M6X30mm (80Pcs)</p>
<p><b>H</b></p>  <p>PANHEAD SCREW M4X22mm (16Pcs)</p>	<p><b>I</b></p>  <p>HANDLE (16Pcs)</p>	<p><b>J</b></p>  <p>CAM LOCK COVER (24Pcs)</p>				

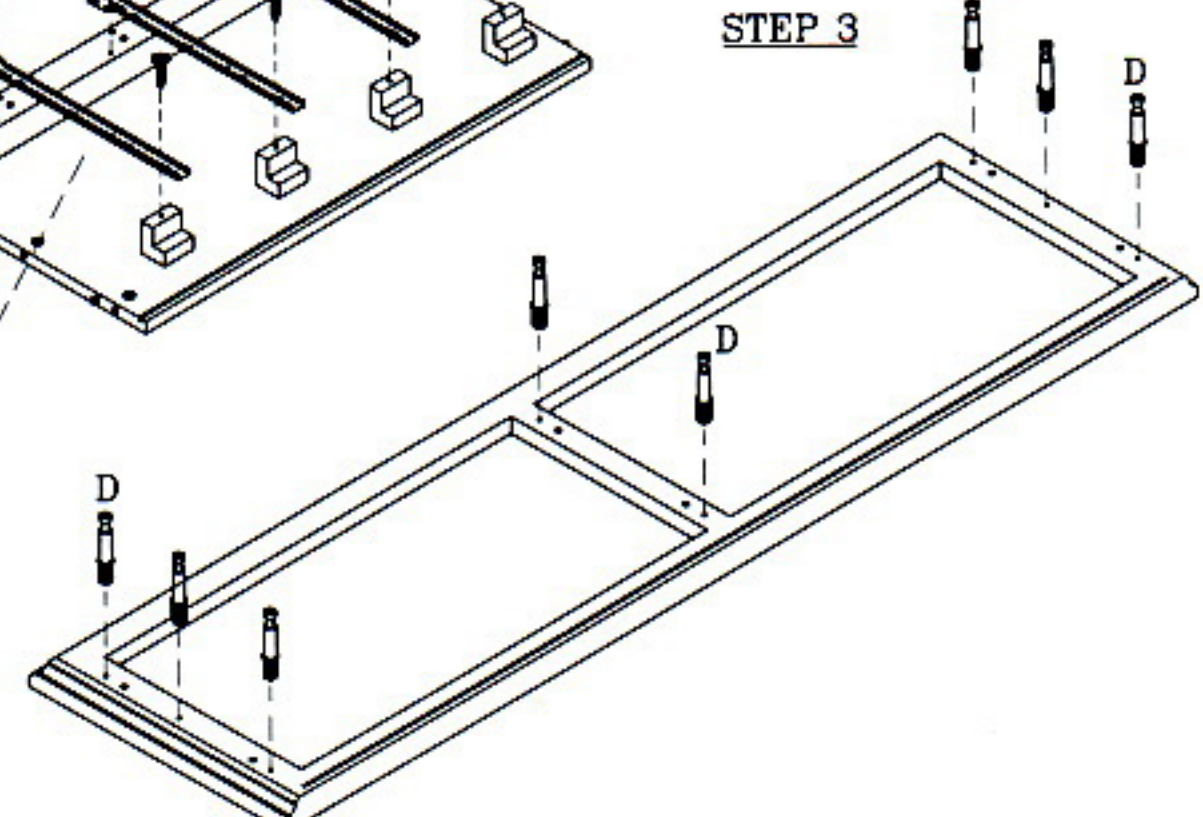
**STEP 1**



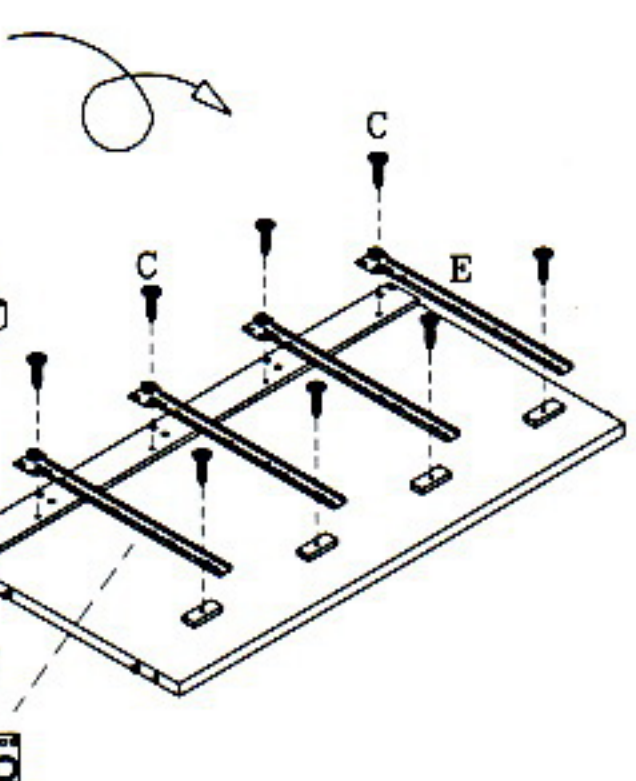
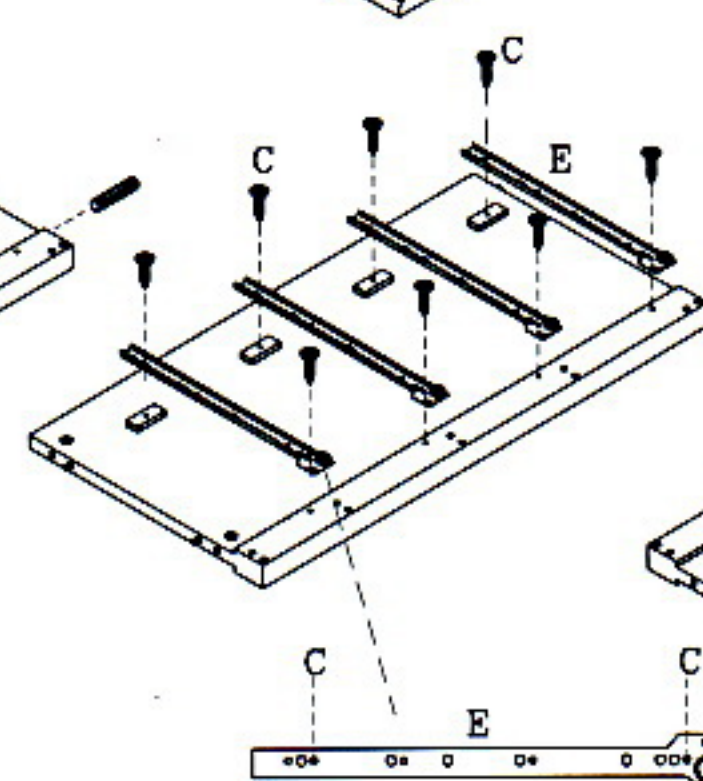
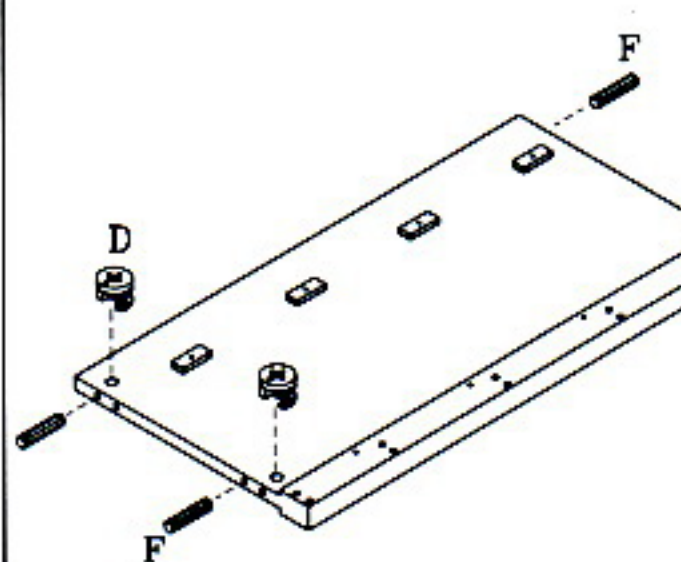
**STEP 2**



**STEP 3**

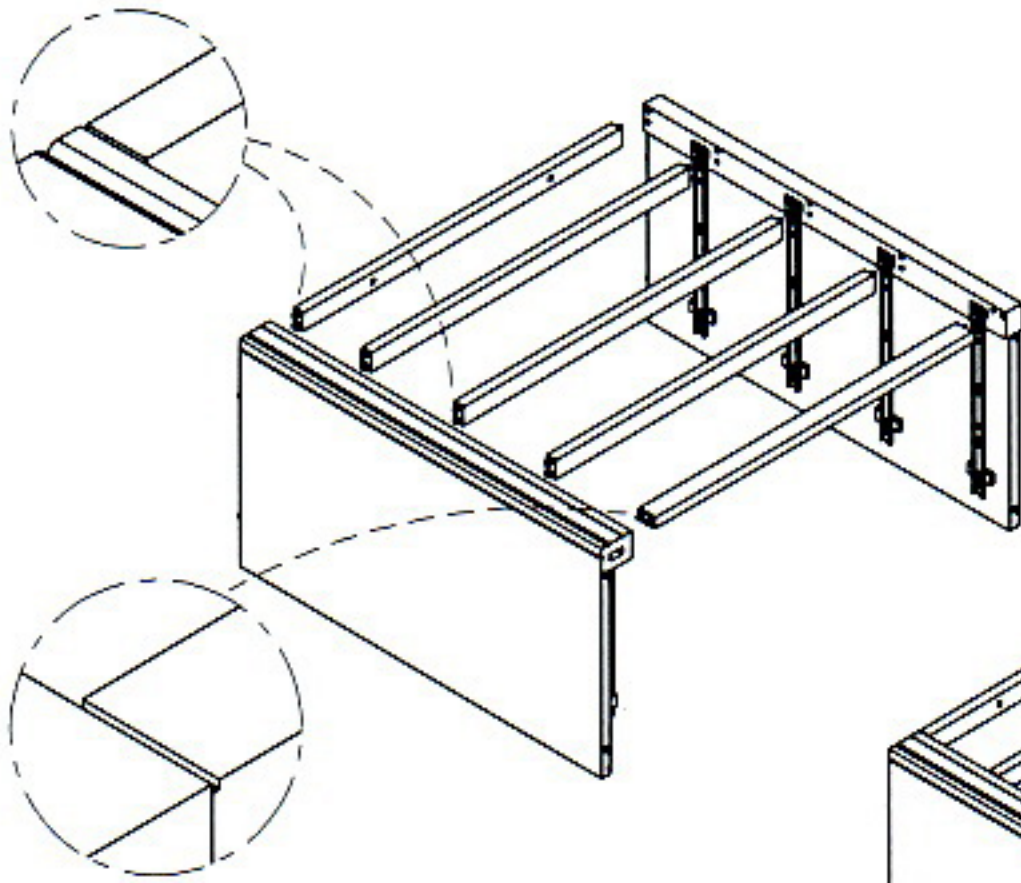


**STEP 4**

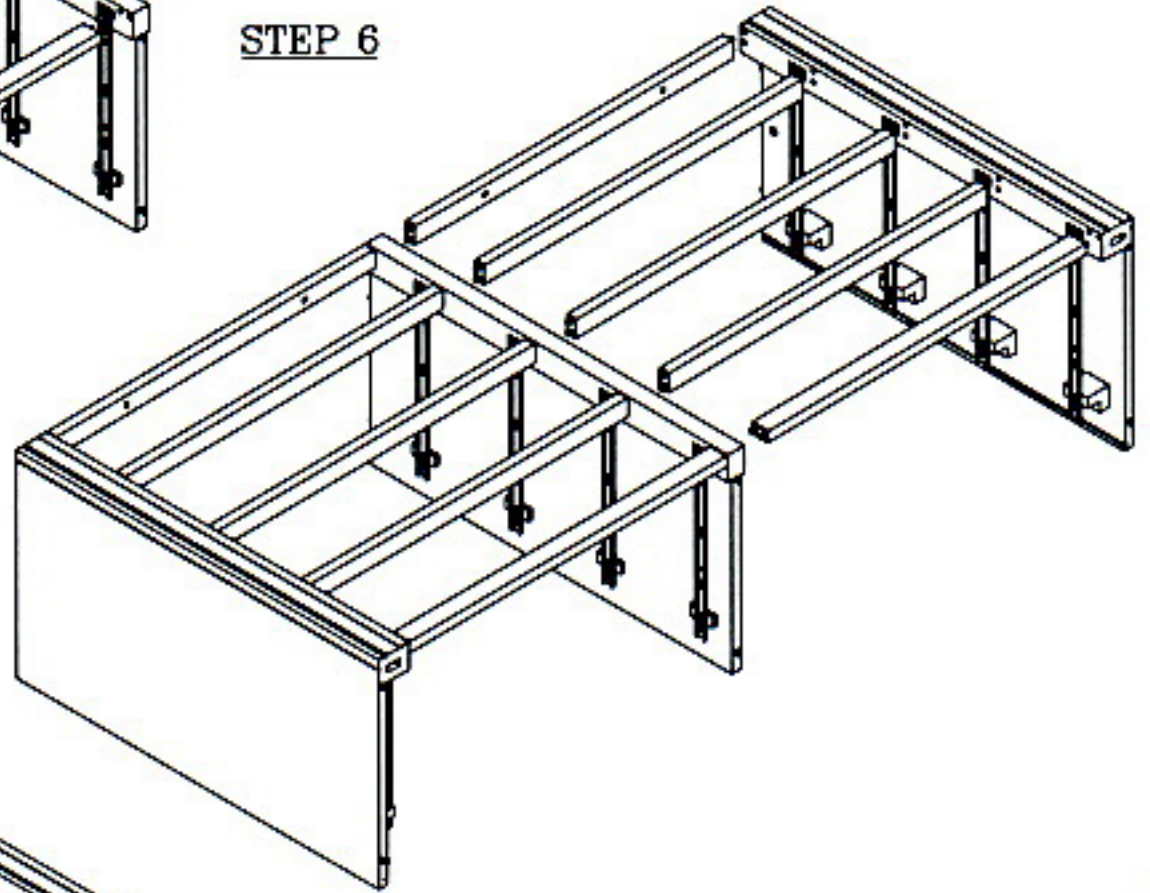


-THE UNIT SHOULD BE ASSEMBLED BY 2 OR MORE PEOPLE  
-EXTRA HARDWARE INCLUDED

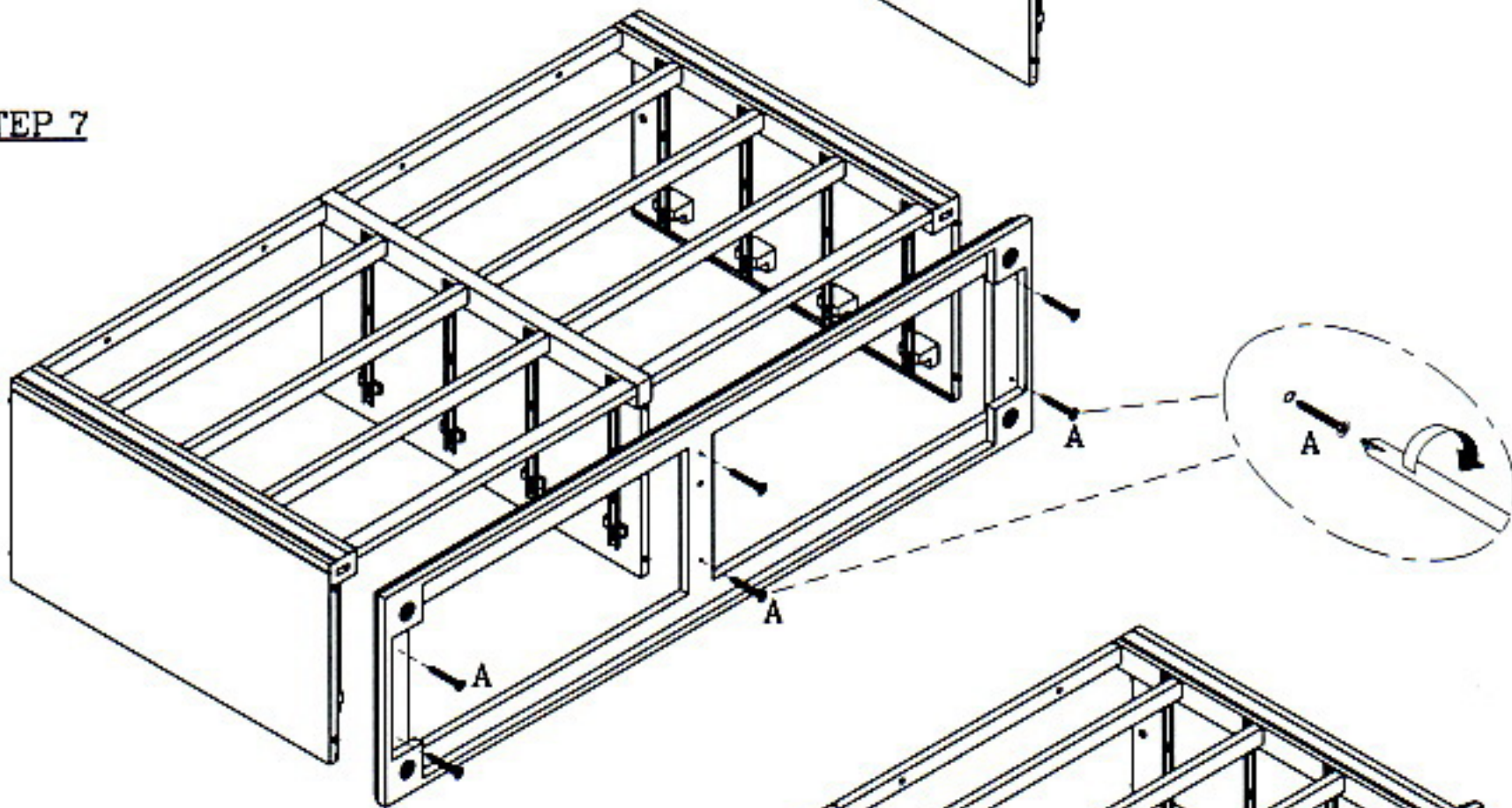
**STEP 5**



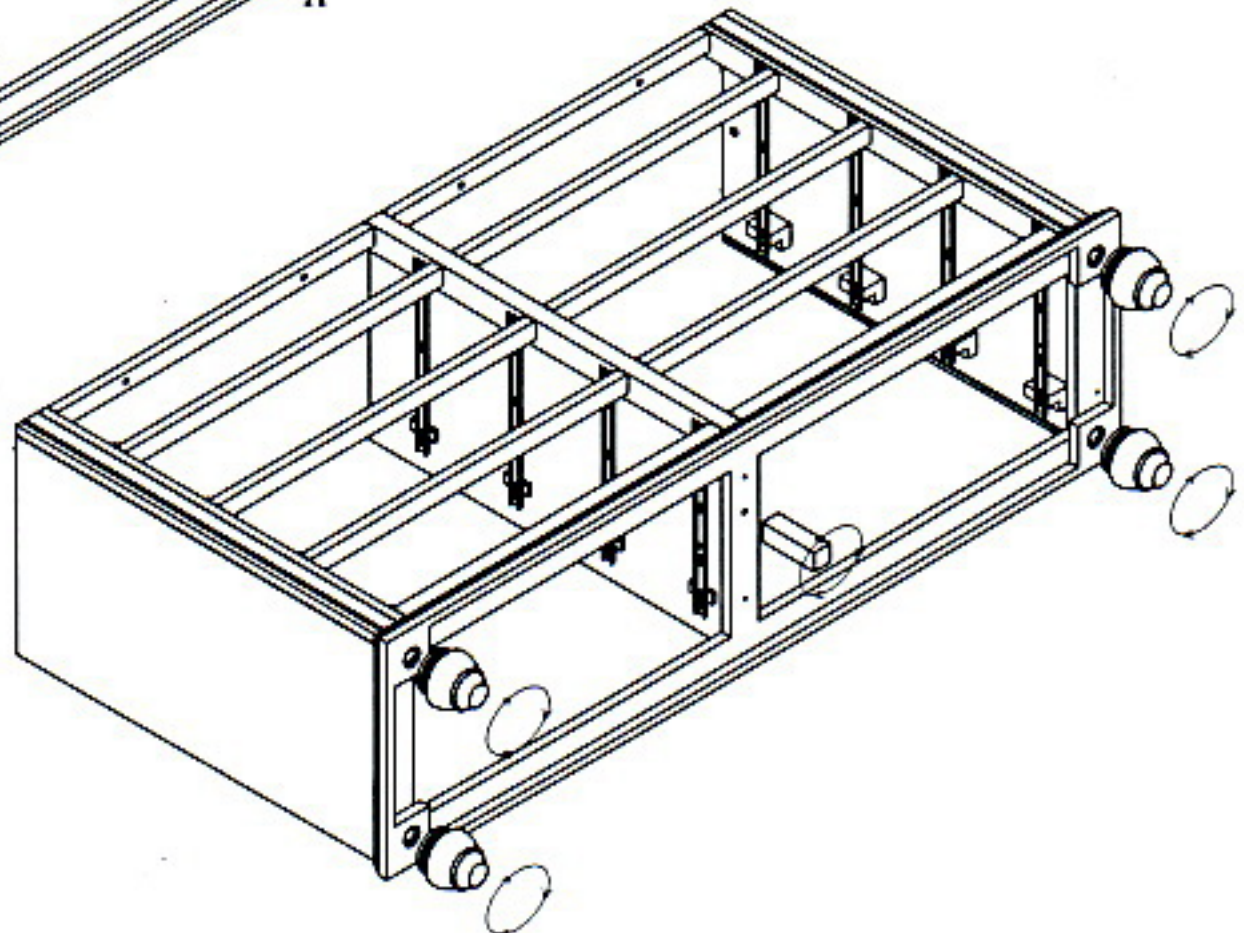
**STEP 6**



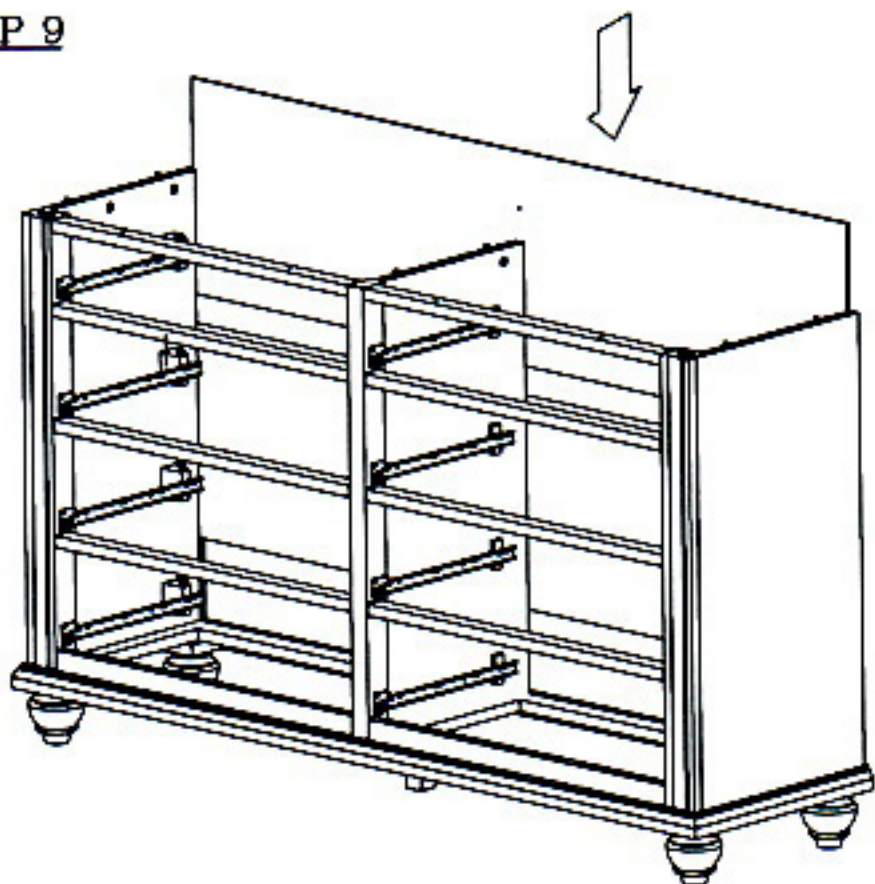
**STEP 7**



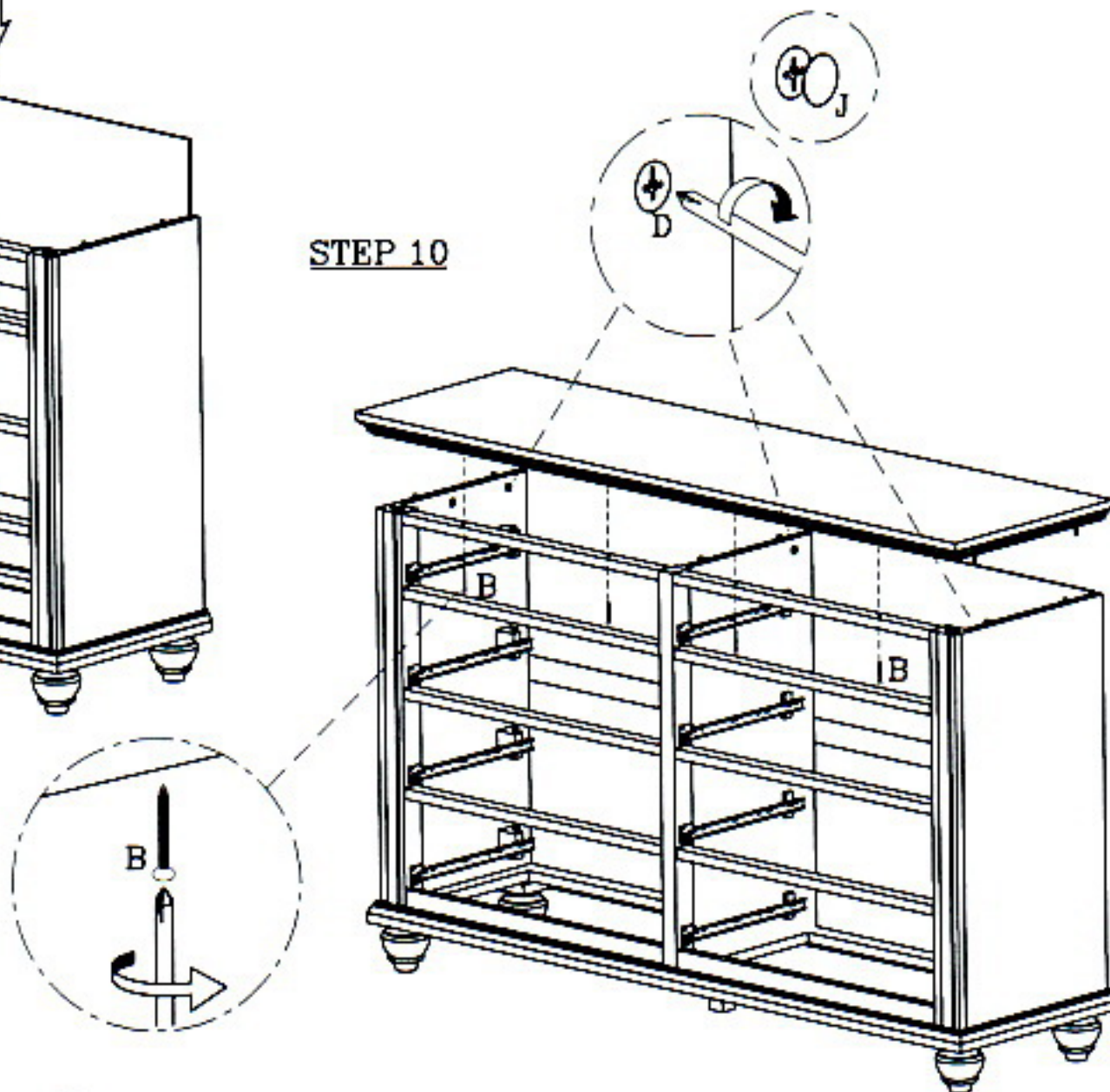
**STEP 8**



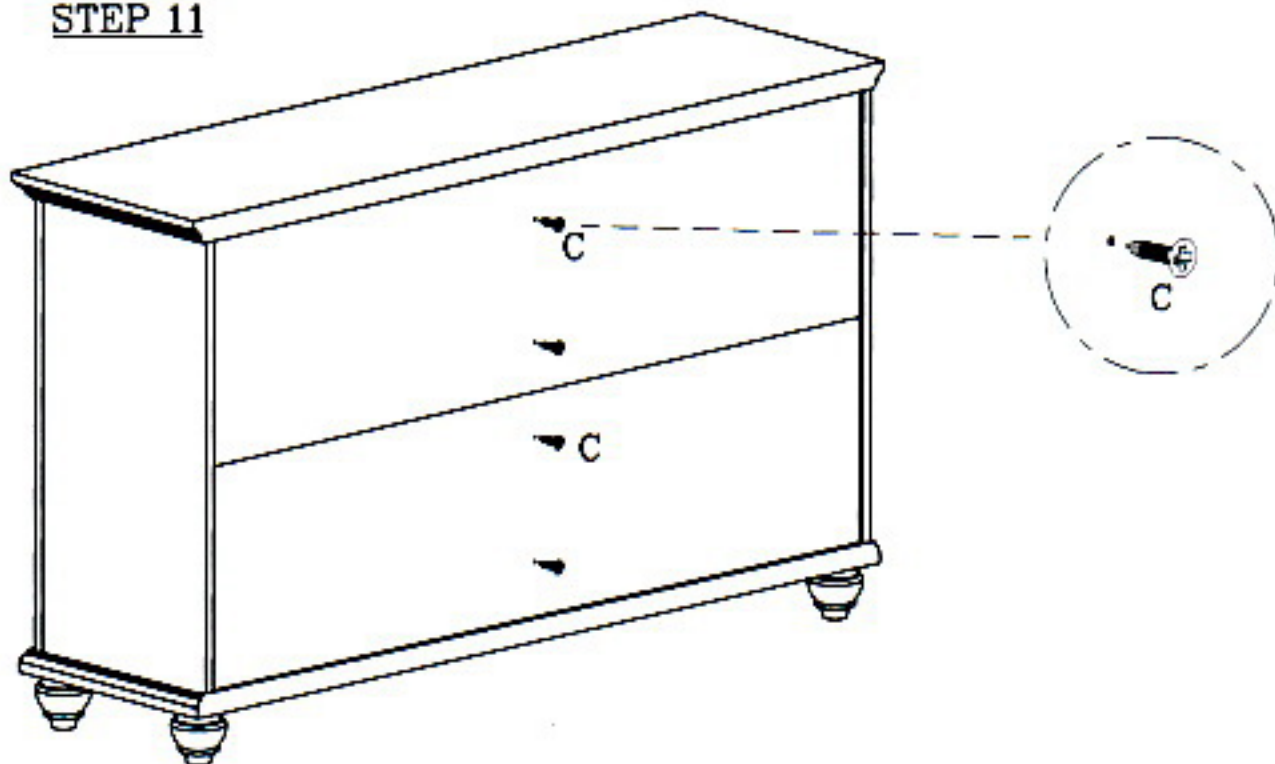
**STEP 9**



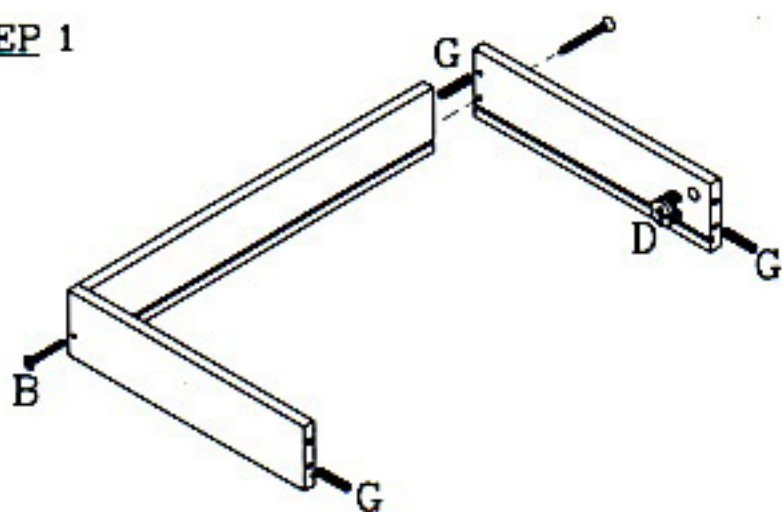
**STEP 10**



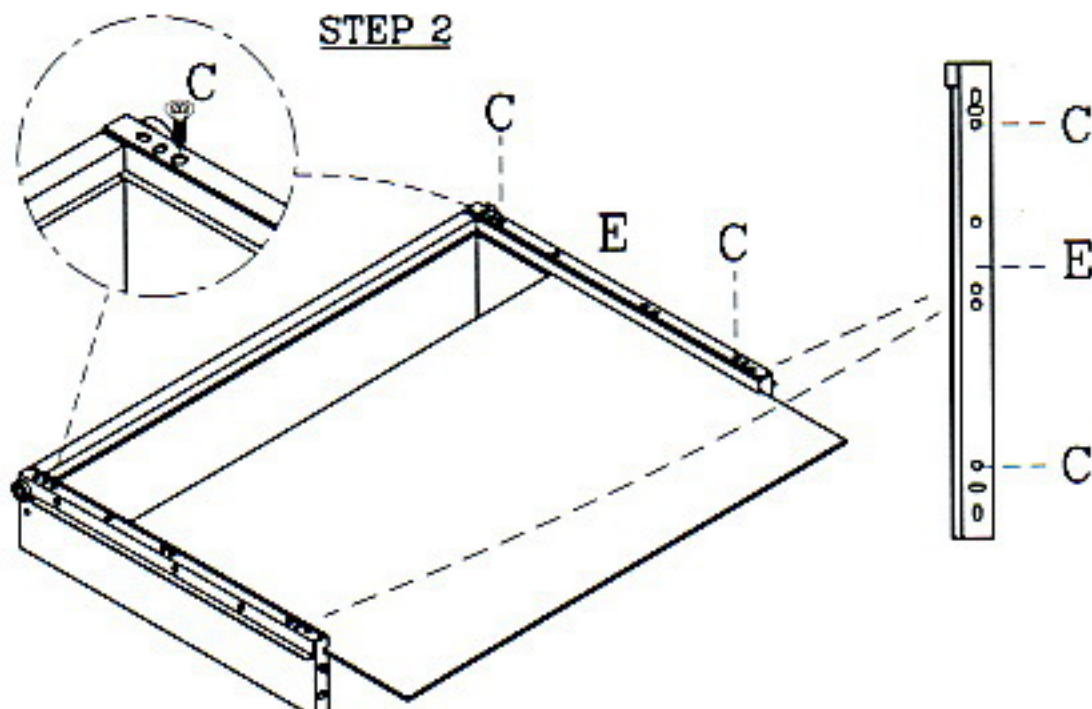
**STEP 11**



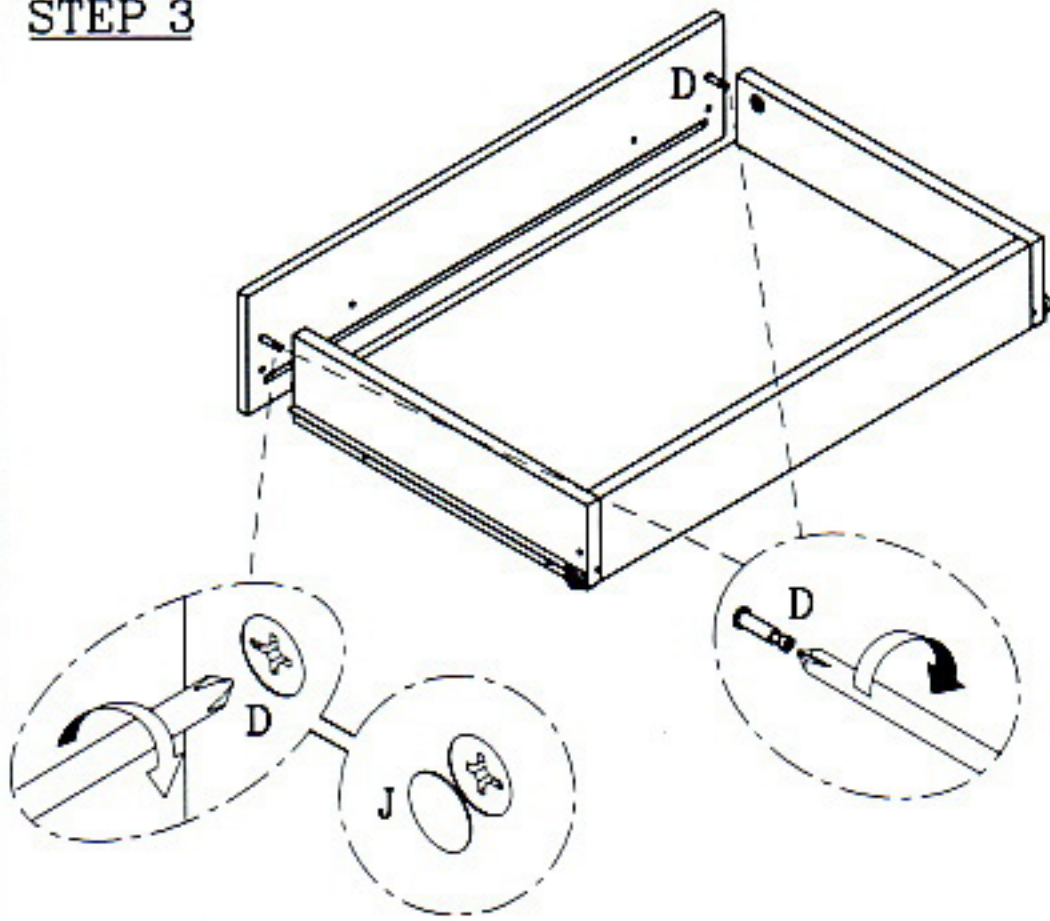
**STEP 1**



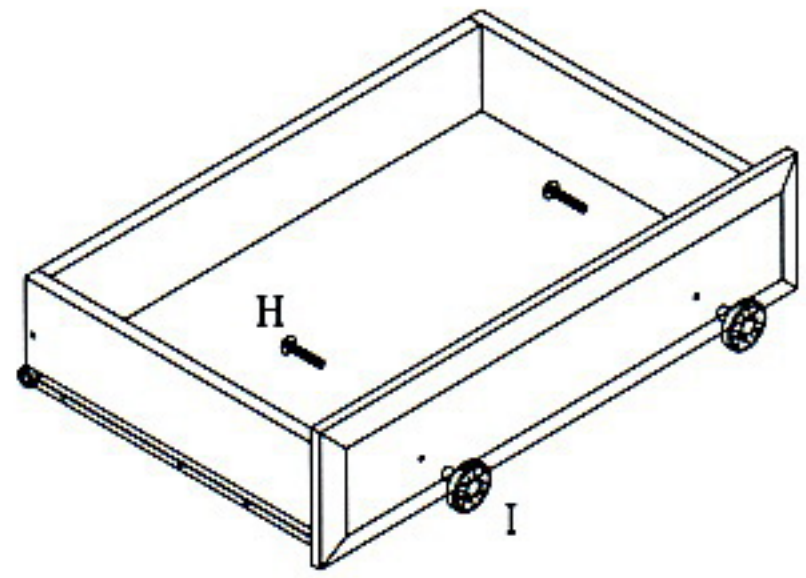
**STEP 2**



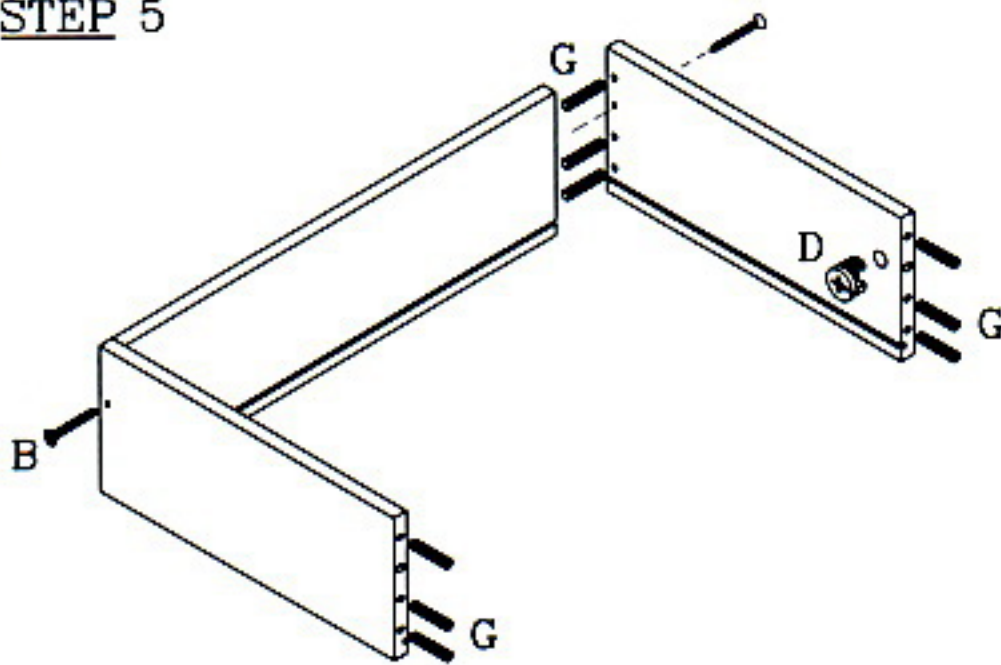
**STEP 3**



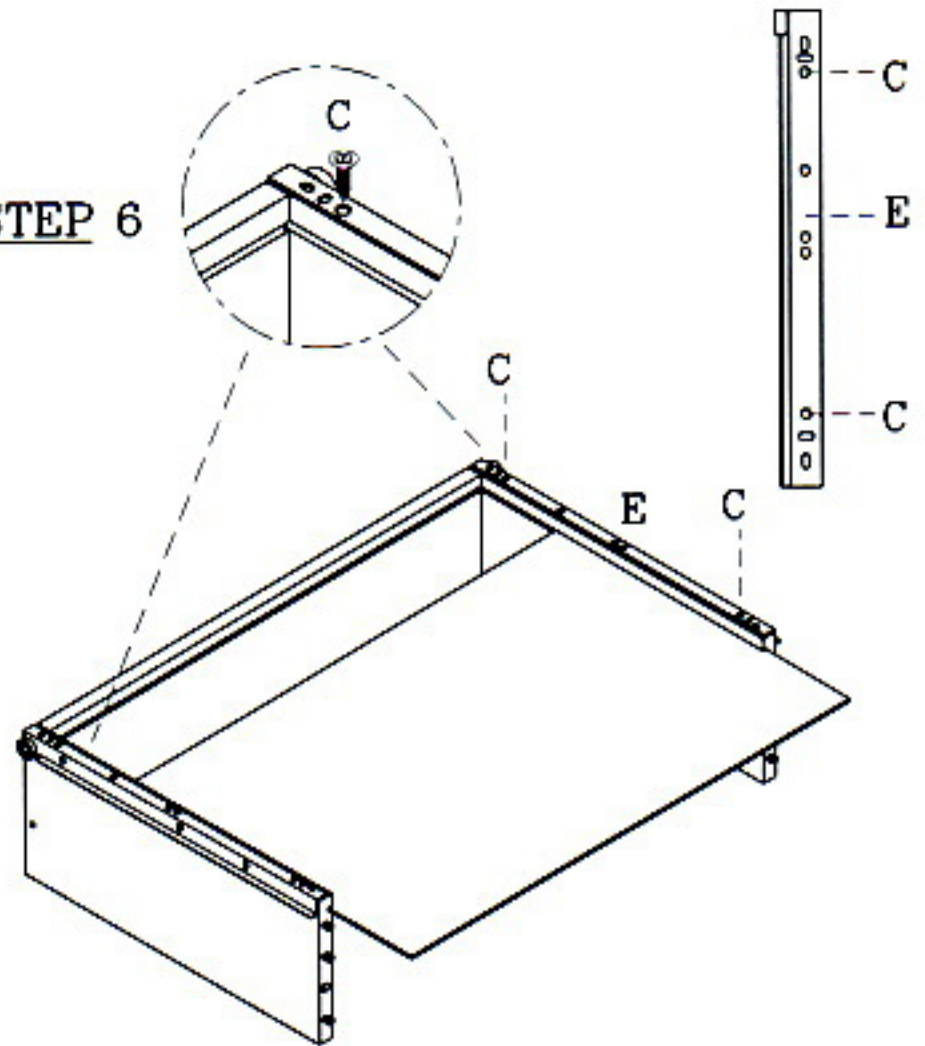
**STEP 4**



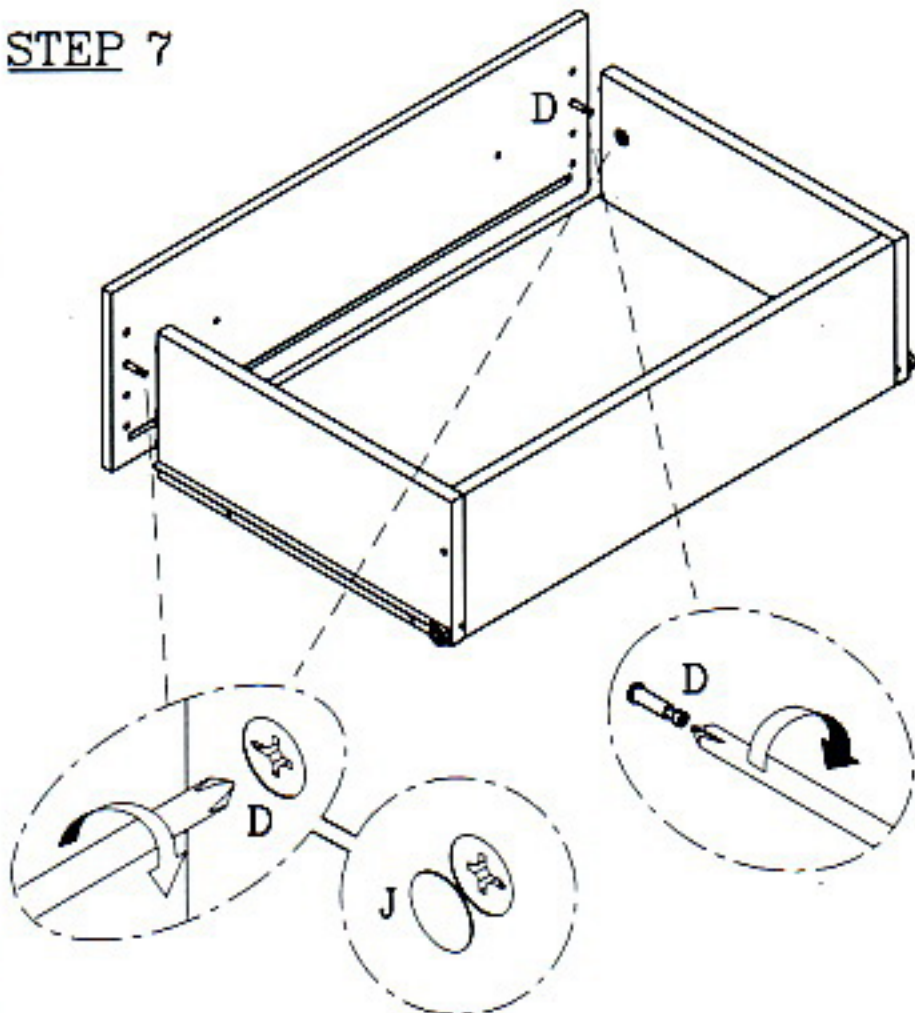
**STEP 5**



**STEP 6**



**STEP 7**



**STEP 8**

