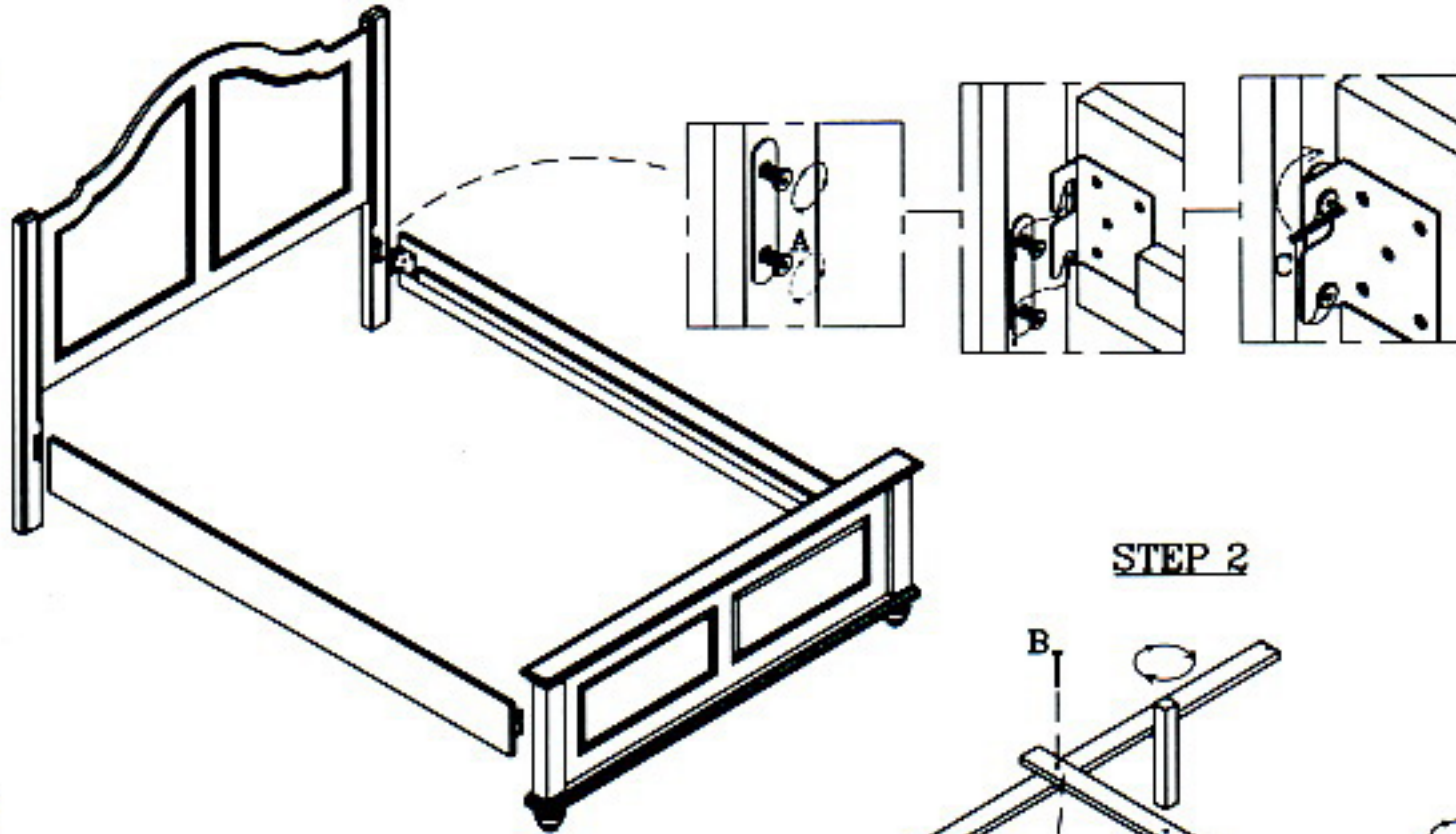


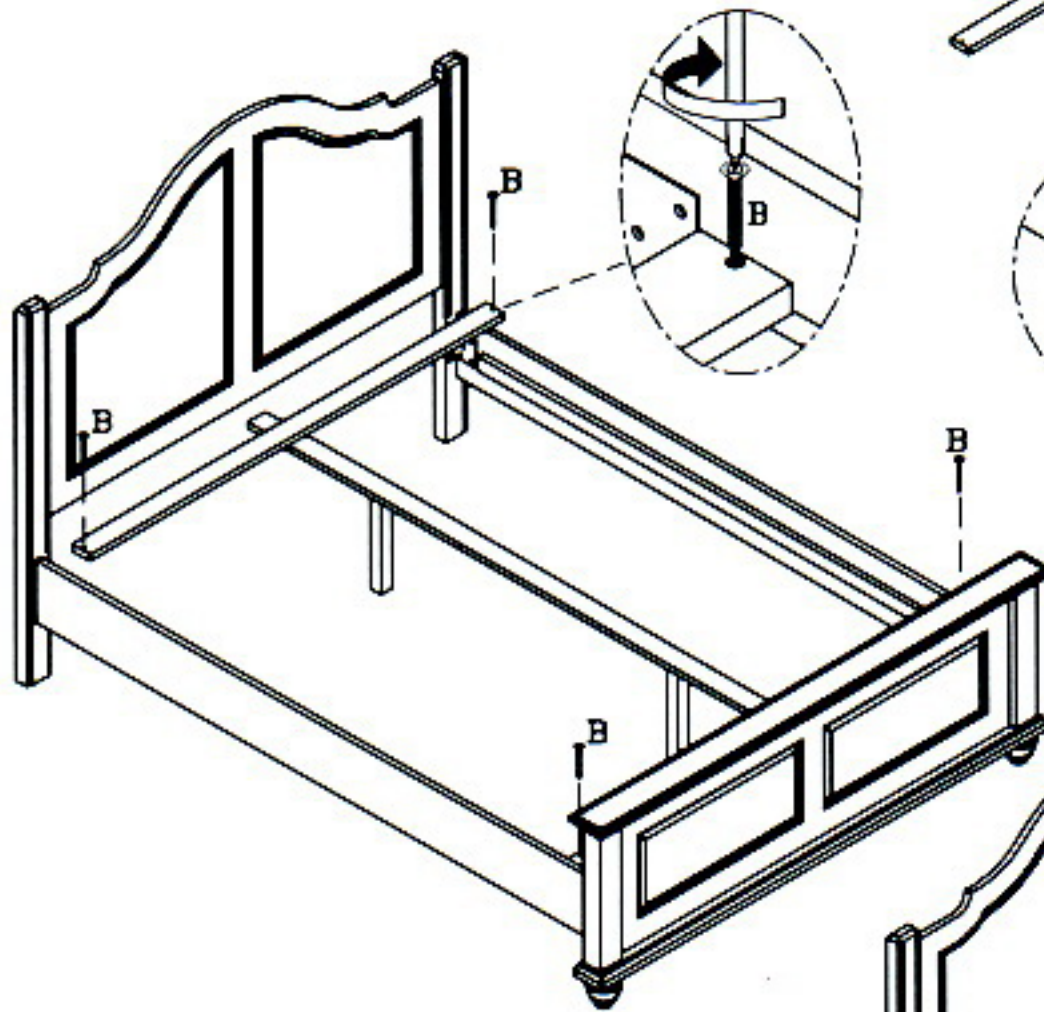
HARDWARE LIST

A  JCBB M6X16mm (8Pcs)	B  CHIPBOARD SCREW M4X32mm (26Pcs)	C  ALLEN KEY M5 (1Pc)
---	--	--

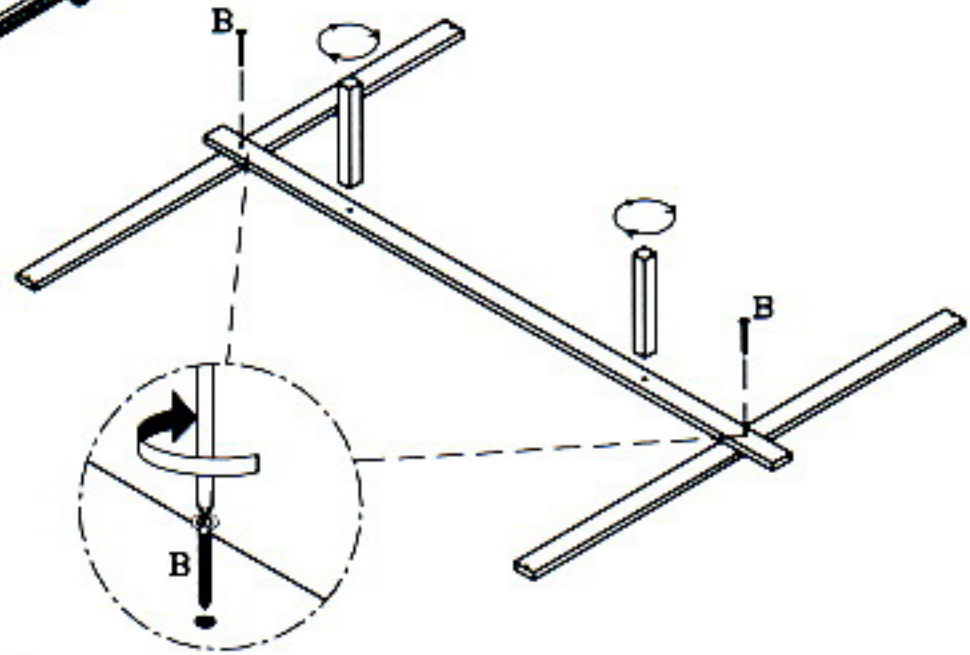
STEP 1



STEP 3



STEP 2



STEP 4

