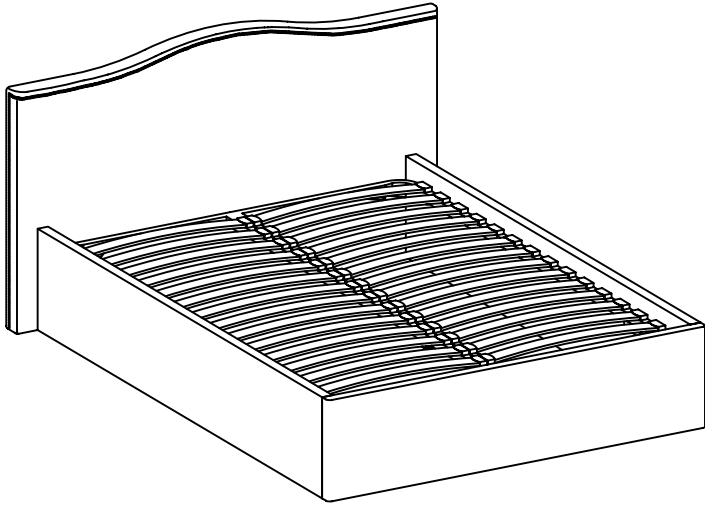


# CHOMEL STORAGE BED -- METAL SLAT

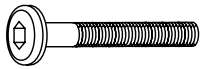



## ASSEMBLY INSTRUCTIONS



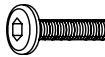




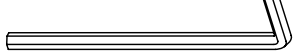
### PARTS CHECK LIST

CODE	COMPONENTS	Q'TY
(A)	HEAD BOARD	x01
(B)	FOOT BOARD	x01
(C)	SIDE RAILS(LH&RH)	x02
(D)	BOTTOM PANEL	x02
(E)	SLAT	x01
(F)	HYDRAULIC ARM (LH&RH)	x02

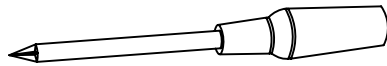
### BED FITTINGS CHECK LIST

CODE	DESCRIPTION	Q'TY
01		x12
02		x12
03		x12
04		x01

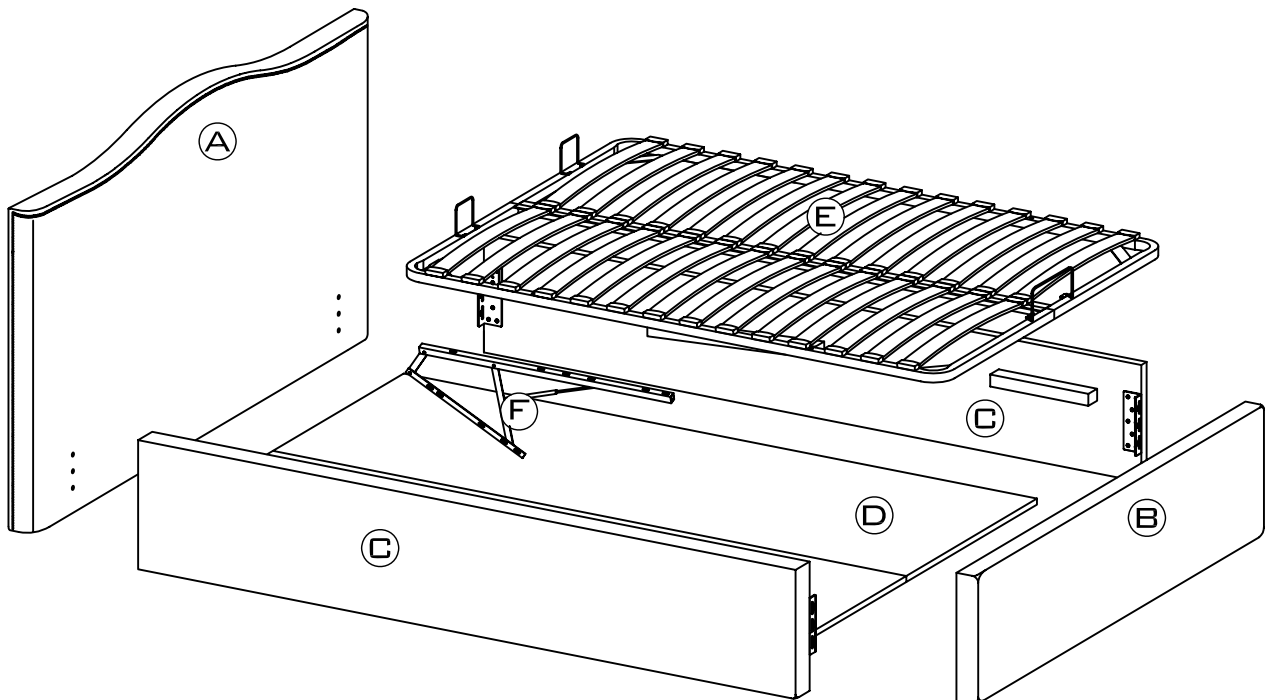
### SLAT FITTINGS CHECK LIST

CODE	DESCRIPTION	Q'TY
05		x06
06		x06
07		x10
08		x10
09		x01
10		x01

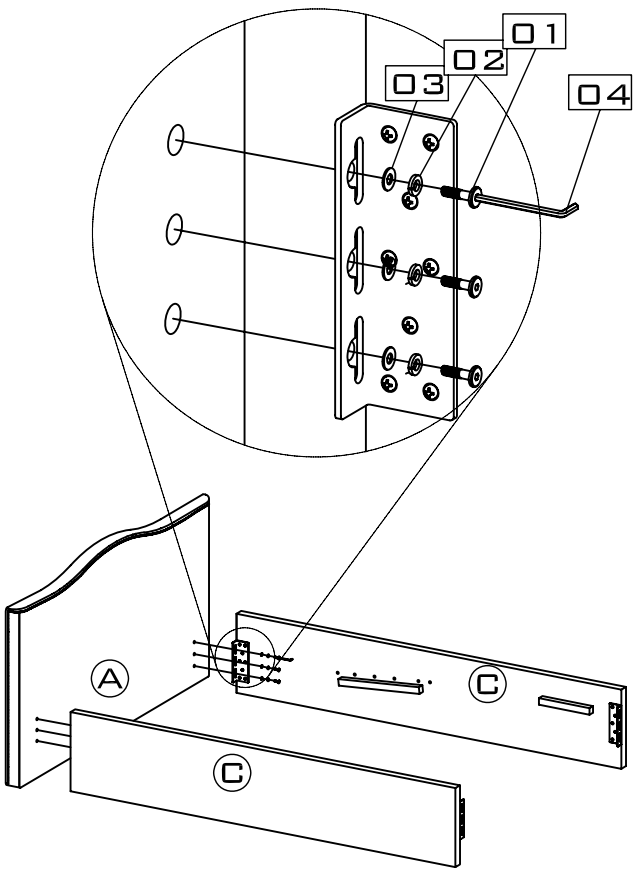
TOOL NEEDED  
(NOT PROVIDED)



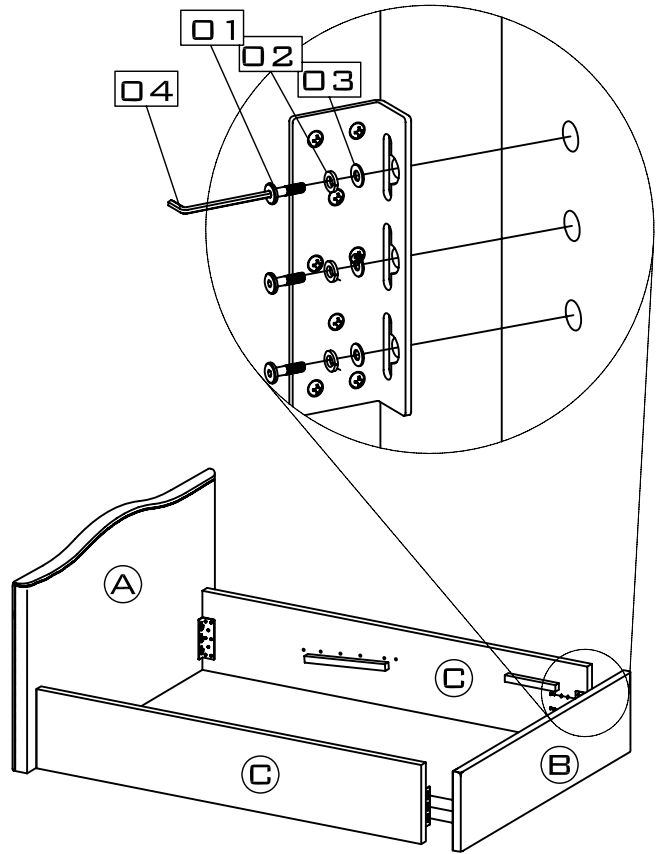
11 SCREW DRIVER



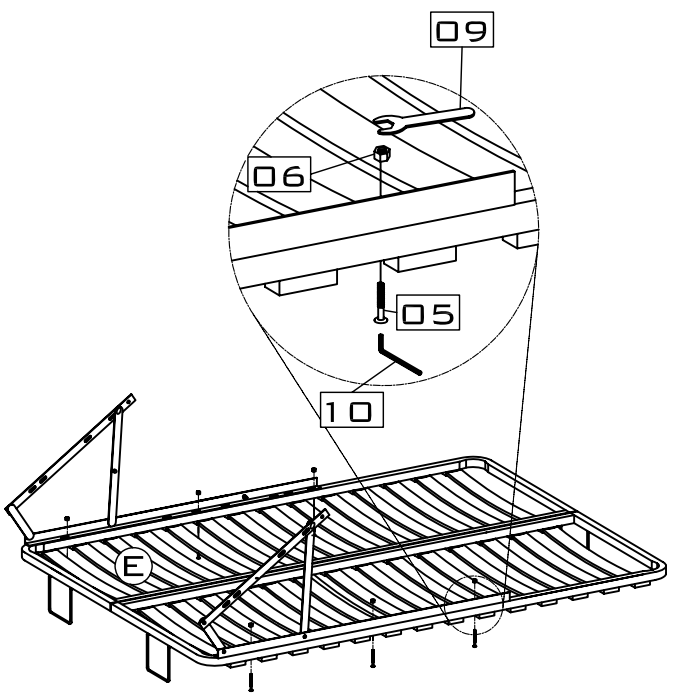
1.



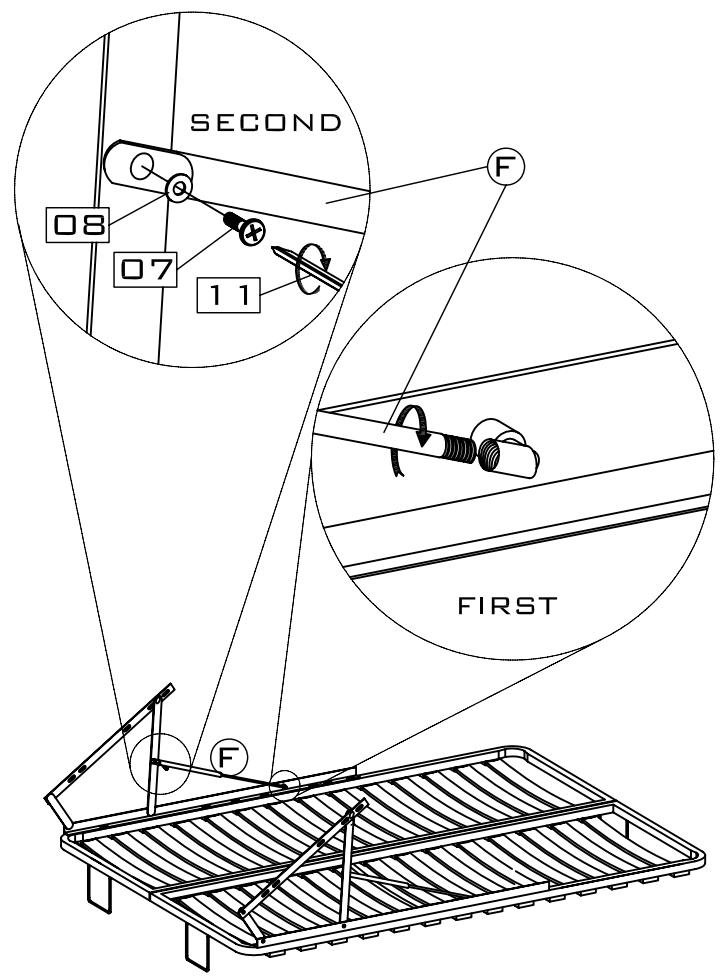
2.



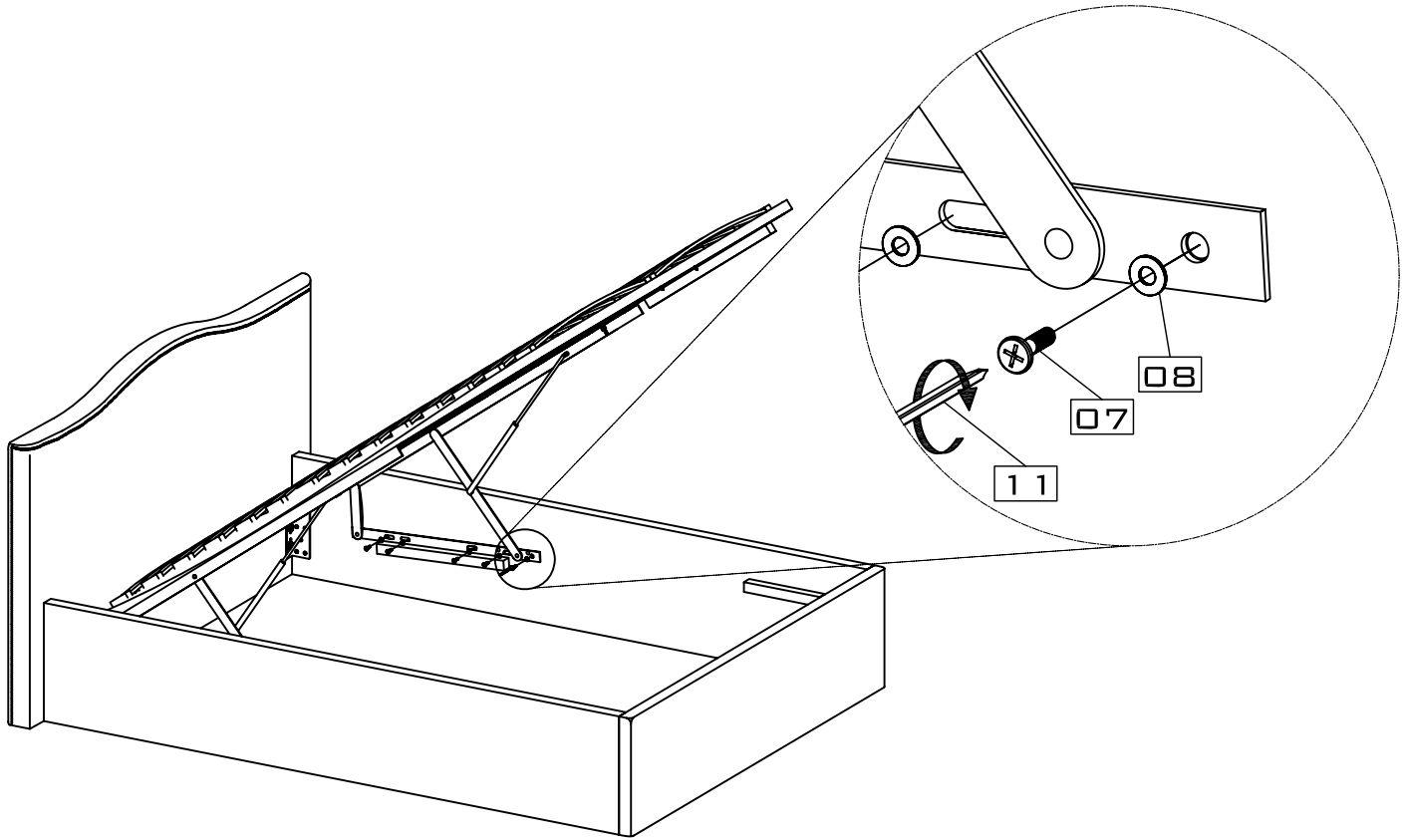
3.



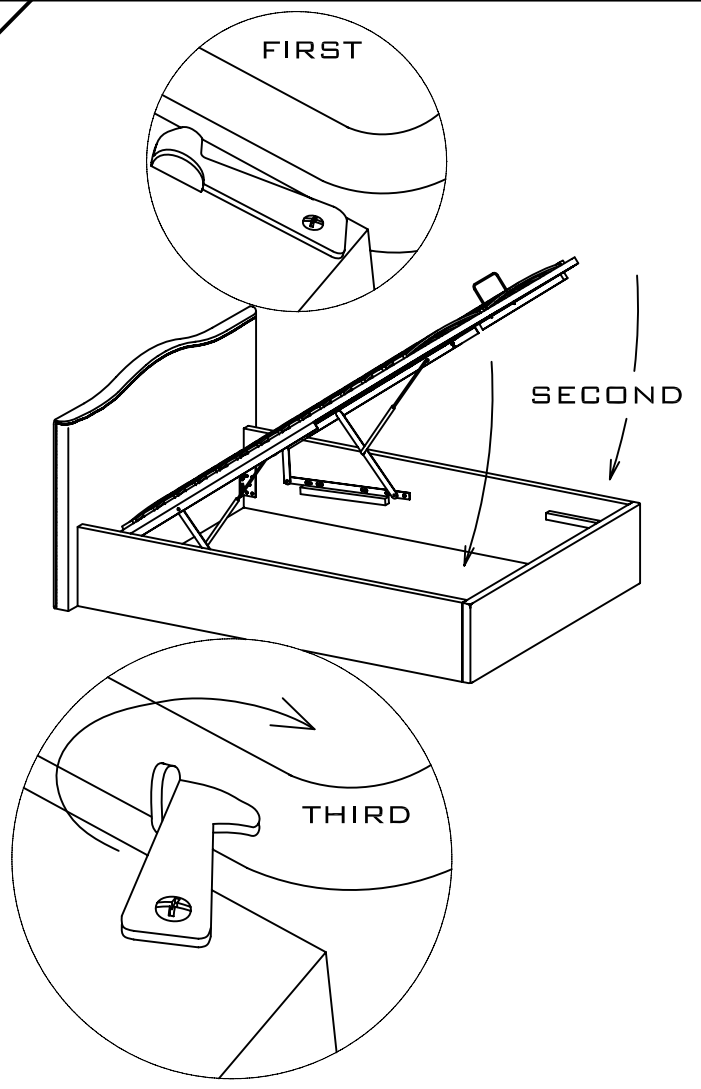
4.



5.



6.



7.

