


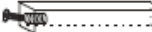


B-62#

Accessory Code	Quantity	Accessory
A	8 Pcs	
E	32 Pcs	 30*8mm
F	1 Pcs	
G	11 Pcs	 Height 22cm

☆ Note: The 32 bolts for part E, 32 screws are not in the hardware kit. They are pre-screwed on frame in the holes.

Steps:	Please refer to the picture for specific operations.
①	Use the screw E and A type angle irons to fix the headboard and bedside
②	Use the screw E and A type angle irons to fix the bedside and bed end
③	Install the stand G and the slat. Slat foot can be adjusted in accordance with the slat.