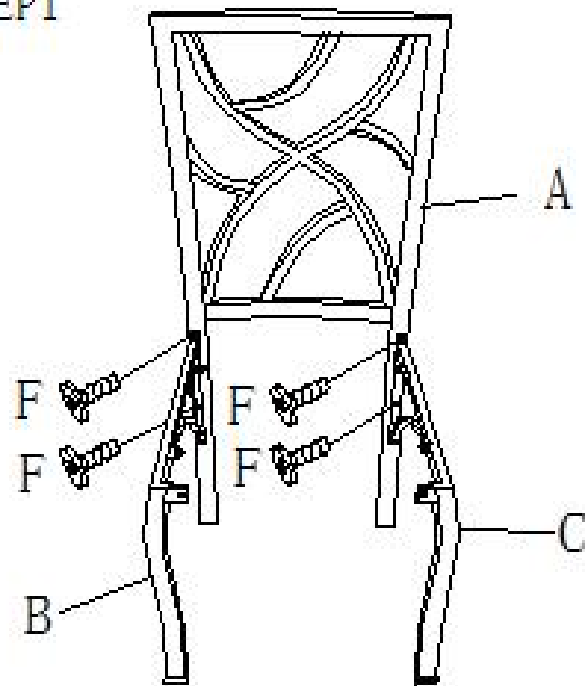
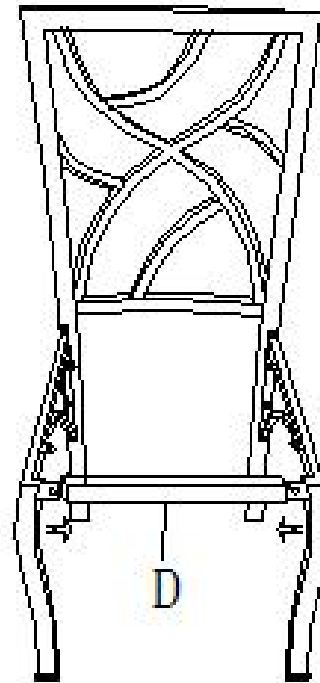


ASSEMBLY INSTRUCTION

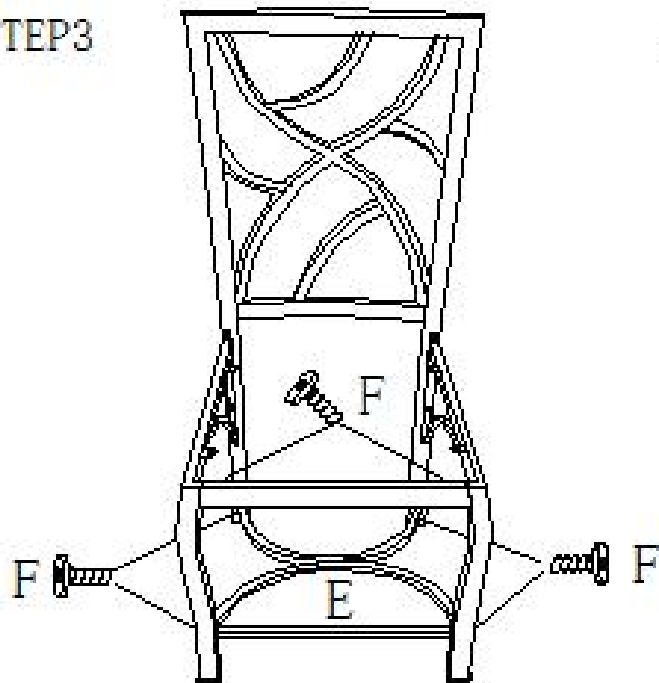
STEP1



STEP2






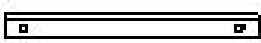



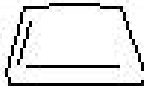

STEP3



STEP4



PARTS & HARDWARE LIST

A		2PCS
B		2PCS
C		2PCS
D		2PCS
E		2PCS
F		20PCS
G		8PCS
H		2PCS
I		1 PC