


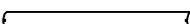




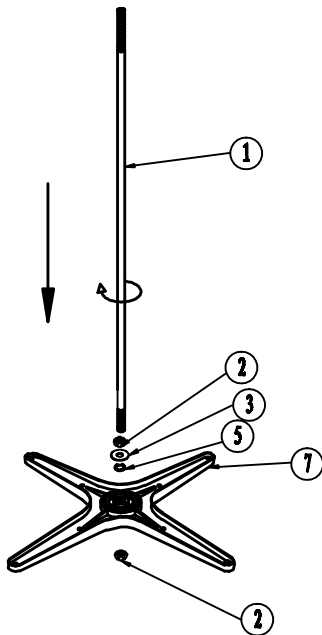


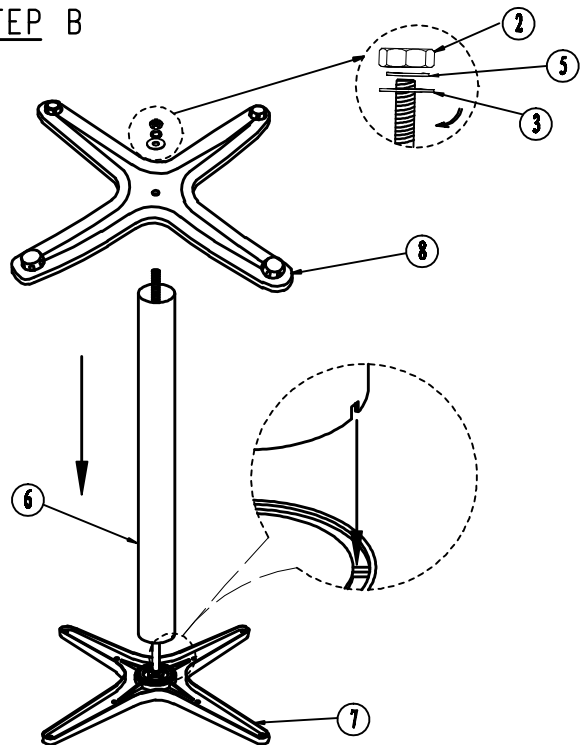
# ASSEMBLY INSTRUCTIONS

	PICTURE	QUANTITY			
①	THREADED BAR 	X 1PC	⑤	SPRING WASHER 	X 2PCS
②	NUT 	X 3PCS	⑥	CENTER TUBE 	X 1PC
③	SPRING WASHER 	X 2PCS	⑦	SPIDER 	X 1PC
④	SUNK SCREW 	X 8PCS	⑧	BASE 	X 1PC

## STEP A



## STEP B



## STEP C

