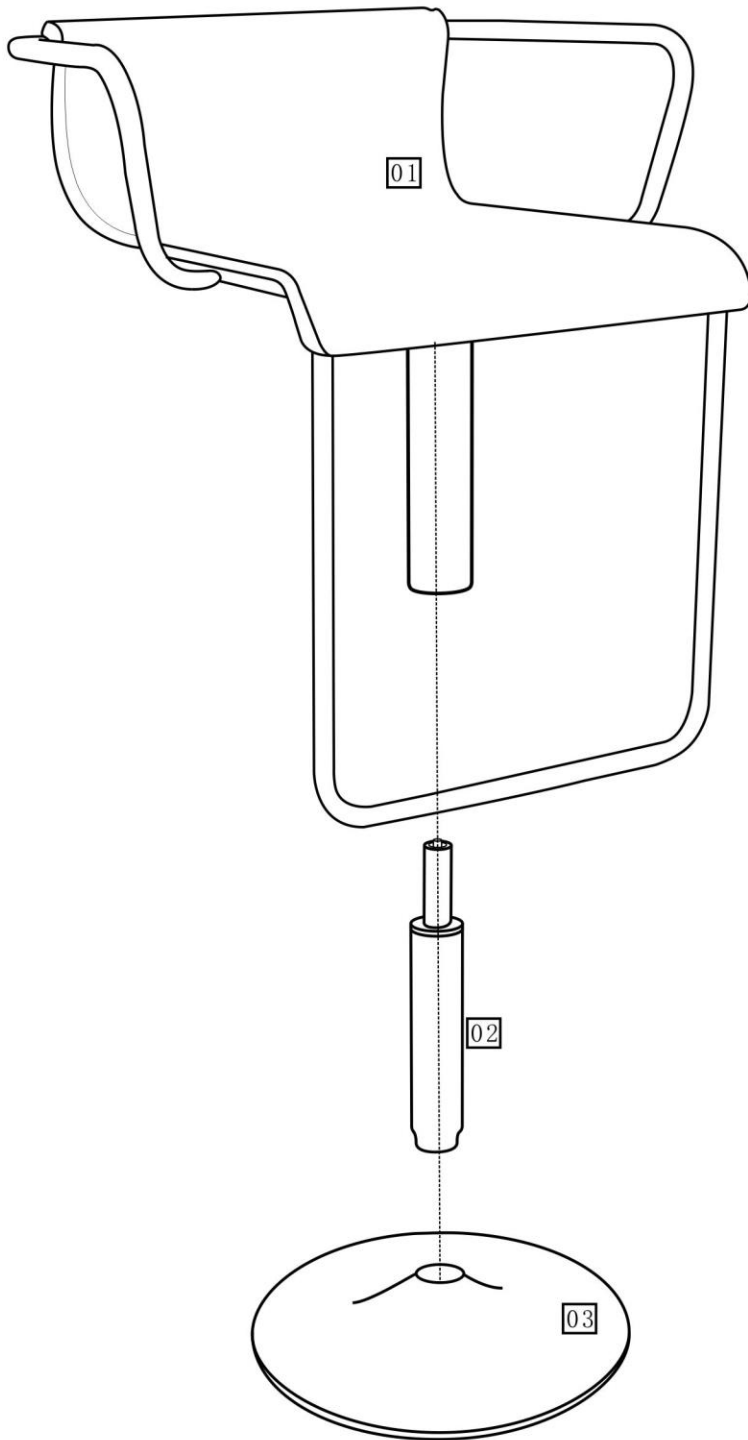


COMPONENT PARTS



COMPONENT CHECKLIST

PART	No.	Qty.
Seat	01	1
Lift	03	1
Base	04	1

<input type="checkbox"/>
<input type="checkbox"/>
<input type="checkbox"/>