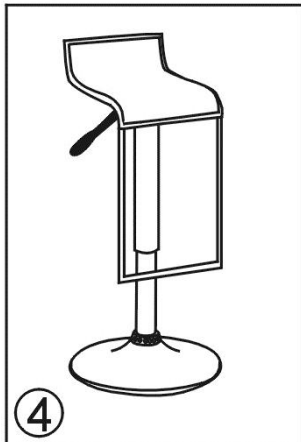
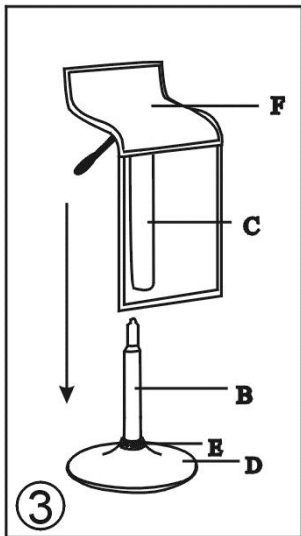
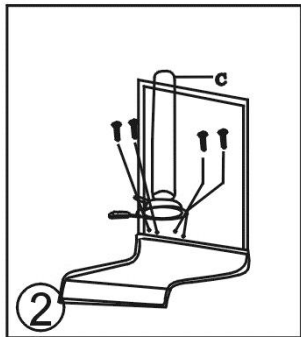
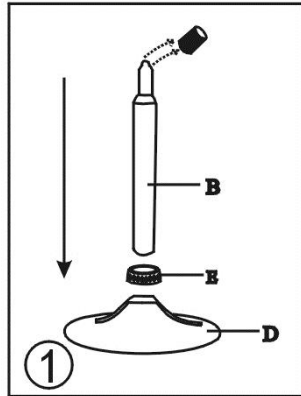
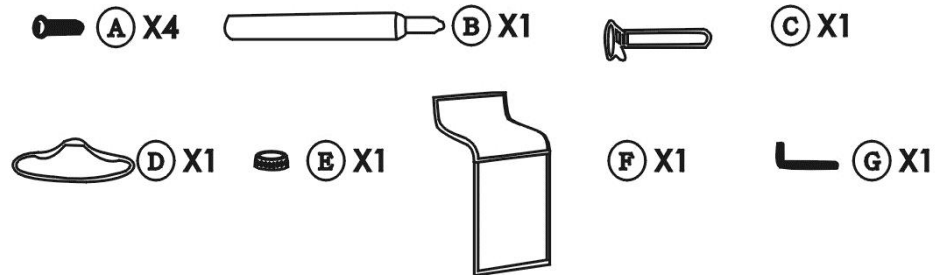


ASSEMBLY & CARE INSTRUCTIONS



PARTS LIST



Please remove black cap from gas lift from part before assembly'

BEFORE YOU START

Ensure that you have sufficient workspace. Check that you have all parts listed above.

STEP 1

Place the collar onto the base and then insert the strut into the base. Ensure that the strut is firmly located in the base.

STEP 2

Screw the footrest onto the seat. Ensure that it is tight.

STEP 3

Place the seat over the strut and apply downward pressure until it "clicks" into place.

GENERAL CARE

Clean by wiping with a damp cloth. Avoid using scouring cleaners, bleach or strong detergents.

CAUTION

THIS PRODUCT IS DESIGNED AS A SEAT AND FOR SITTING ON ONLY. DO NOT STAND ON THE STOOL IN ANY CIRCUMSTANCE.