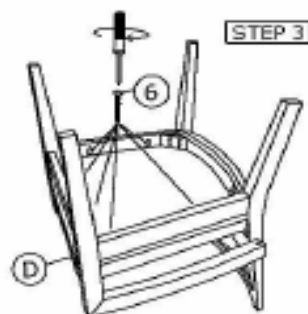
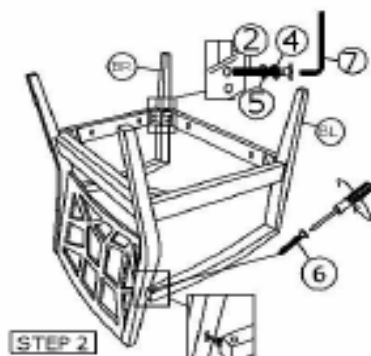
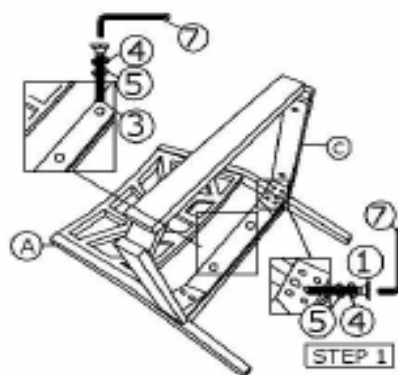


# JENIFER



www.hinlim.com

ISO 9001:2000  
Certificate No. 2502



## PRODUCT DESCRIPTION

Read instruction carefully. Removing all wrapping material, staples and straps from the carton. See Hardware and Furniture Part List for guidance. Be sure you have all part before you start assembling. Place all wooden furniture part a clean and flat soft surface, such as carpet or rug to prevent from being scratched.

## CAUTION

KEEP ALL HARDWARE PART OUT OF REACH OF CHILDREN

HARDWARE LIST			
ITEM	DESCRIPTION		QTY
1	JCBC BOLT M6 X 80MM		4 PCS
2	JCBC BOLT M6 X 60MM		4 PCS
3	JCBC BOLT M6 X 40MM		2 PCS
4	SPRING WASHER M6		10 PC
5	FLAT WASHER		10 PC
6	CSK CB SCREW		8 PCS
7	ALLEN KEY M4 (BALL SHAPE)		1 PC

PART LIST		
ITEM	DESCRIPTION	QTY
A	CHAIR BACK	1 PC
B	ARM LEG (L&R)	2 PCS
C	CHAIR FRAME	1 PC
D	CHAIR SEAT	1 PC