

# ASSEMBLY INSTRUCTIONS

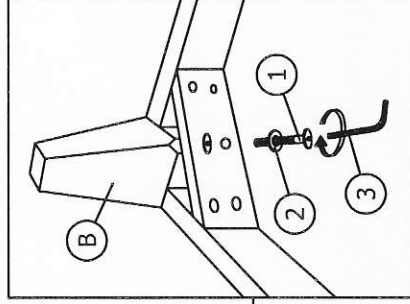
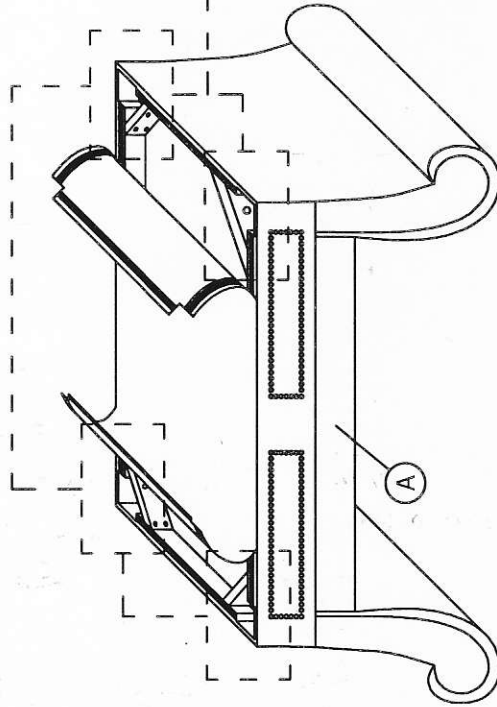
MODEL : BBT5120 BENCH

Read this instruction carefully. See hardware and furniture part list for guidance. Be sure all parts are complete, before you assemble. Place all wooden furniture parts on a clean and flat soft surface to prevent from being scratched. Follow the figure to start assembling.

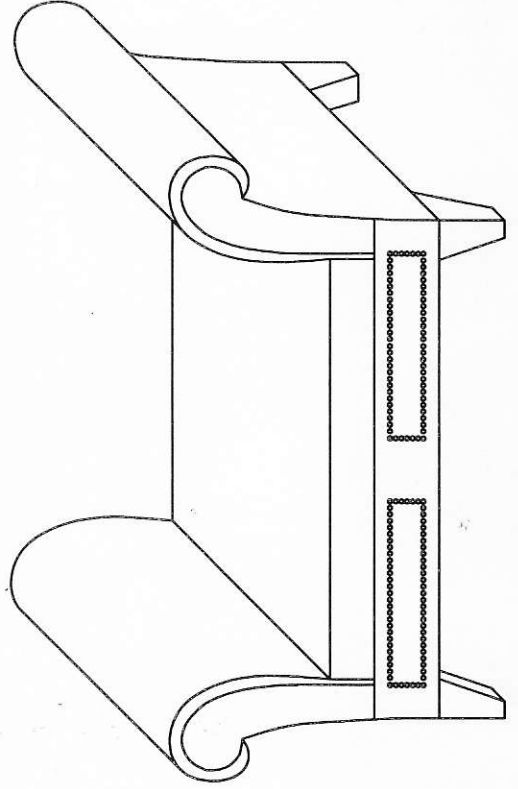
- CAUTIONS :**
1. Do not FULLY - TIGHTEN the nut or bolt until all nut or bolt is ready assembled.
  2. Do not OVER - TIGHTEN the nut or bolt to avoid causing damages to the thread.
  3. Keep all hardware parts out of reach of children.

NOTE : THE LIST AND QUANTITY SHOWN ARE FOR 1 UNIT ASSEMBLY.

## STEP 1



## STEP 2



PART LIST		PART LIST	
ITEM	DESCRIPTION	DESCRIPTION	QTY
1	JCBC Bolt M6 x 40mm	BENCH	1 PC
2	M6 FLAT WASHER	LEG	4 PCS
3	M4 Allen Key		

PART LIST		PART LIST	
ITEM	DESCRIPTION	DESCRIPTION	QTY
A	BENCH		1 PC
B	LEG		4 PCS