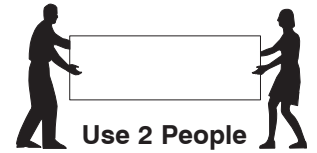
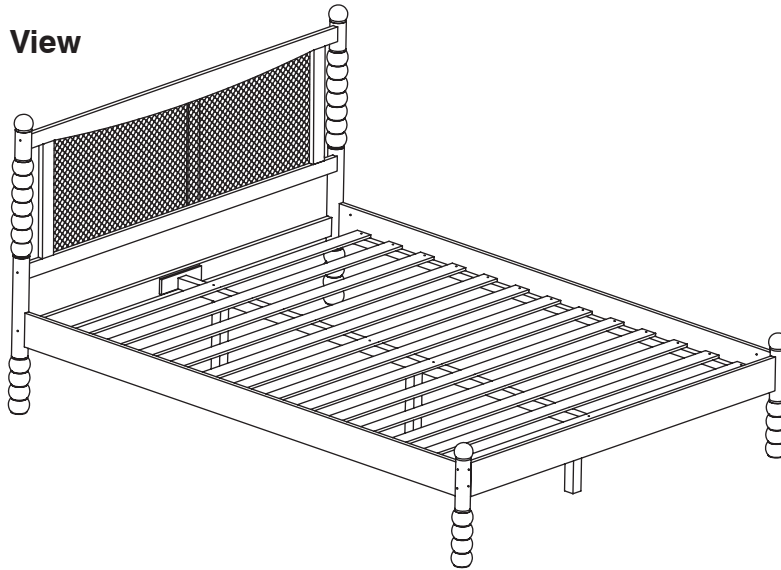


0214-1 Queen Bed

Assembly Instructions

WI-0623

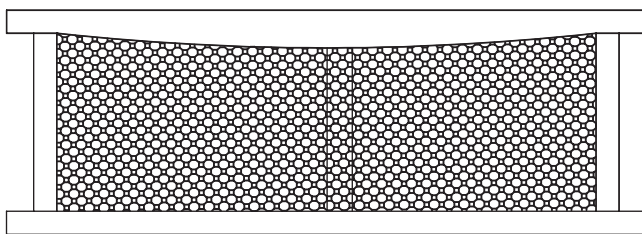
1 Assembled View



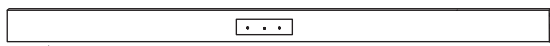
Note: Do not assemble using power tools. This can cause the bolts to be overtightened

2 Parts List

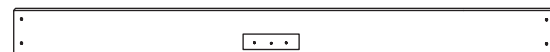
Parts in Box A:



A Headboard Panel x 1

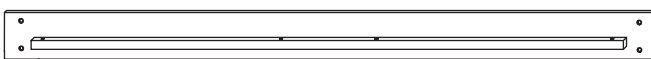


B Headboard Support x 1

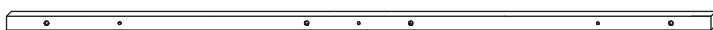


C Footboard Panel x 1

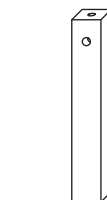
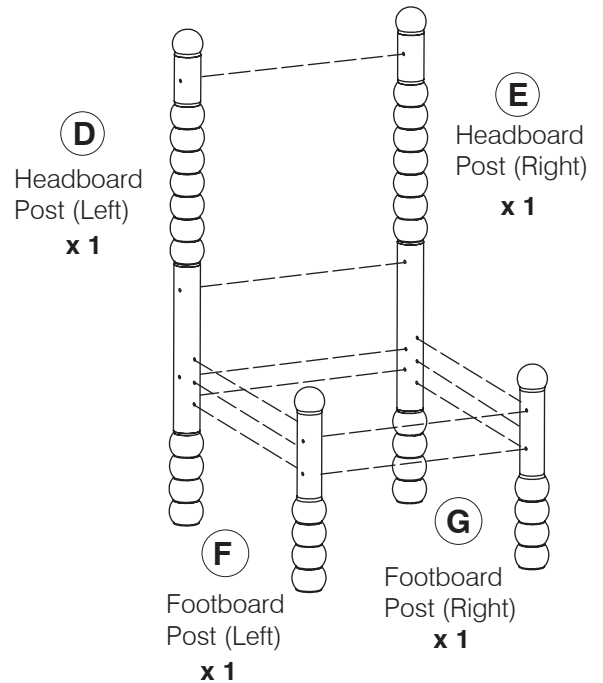
Parts in Box B:



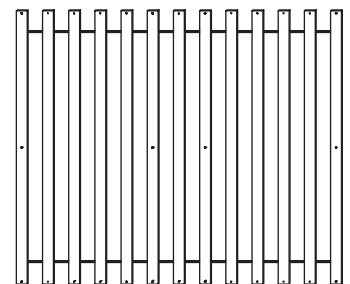
H Side Rail x 2



J Long Support x 1



K Support Leg x 3



L Set of Bed Slats x 1

0214-1 Queen Bed

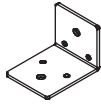
Assembly Instructions

WI-0623

3 Hardware List



1 M4 Allen Key
x 1



2 Center Rail
Bracket x 2



3 Adjustable
Foot x 3



4 Wood Screw
(M4 x 32mm) x 18



5 Wood Dowel
(10 x 40mm) x 8



6 Barrel Nut
x 21



7 M6 x 15mm
JCB x 4

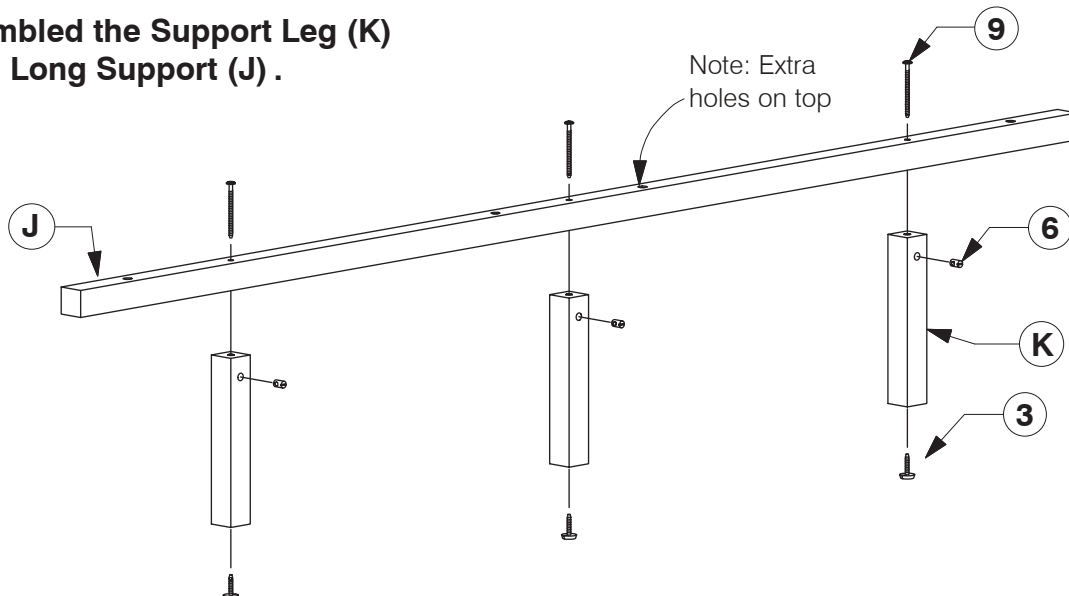


8 M6 x 40mm
JCB x 12

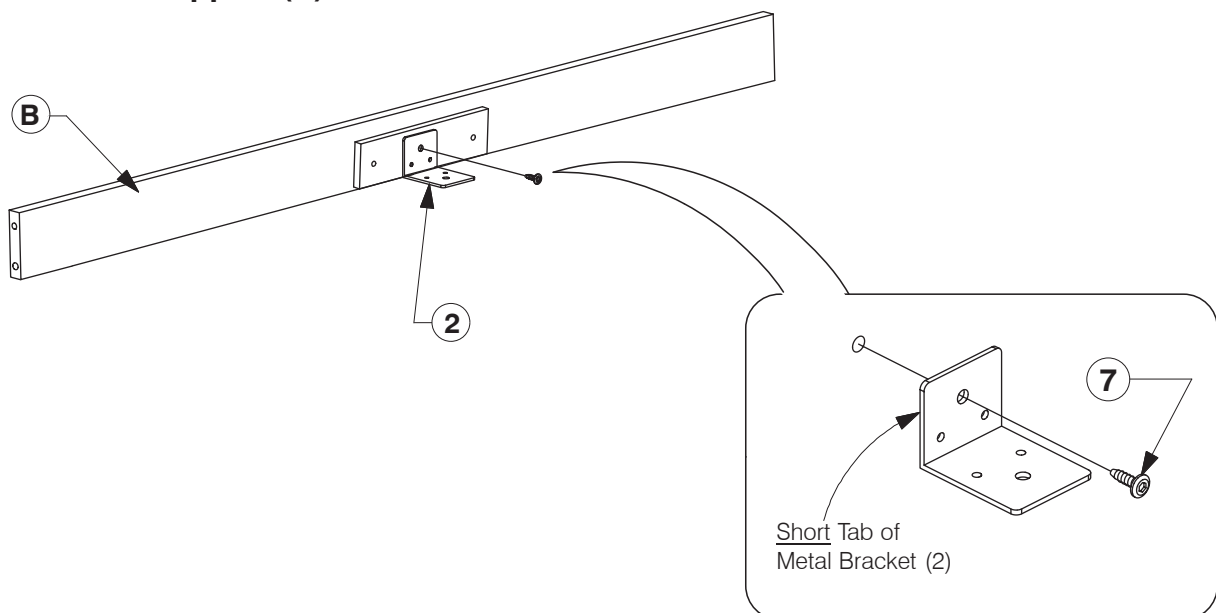


9 M6 x 90mm JCB
x 21

4 Assembled the Support Leg (K) to the Long Support (J).



5 Fit the Center Rail Bracket (2) to the Headboard Support (B).

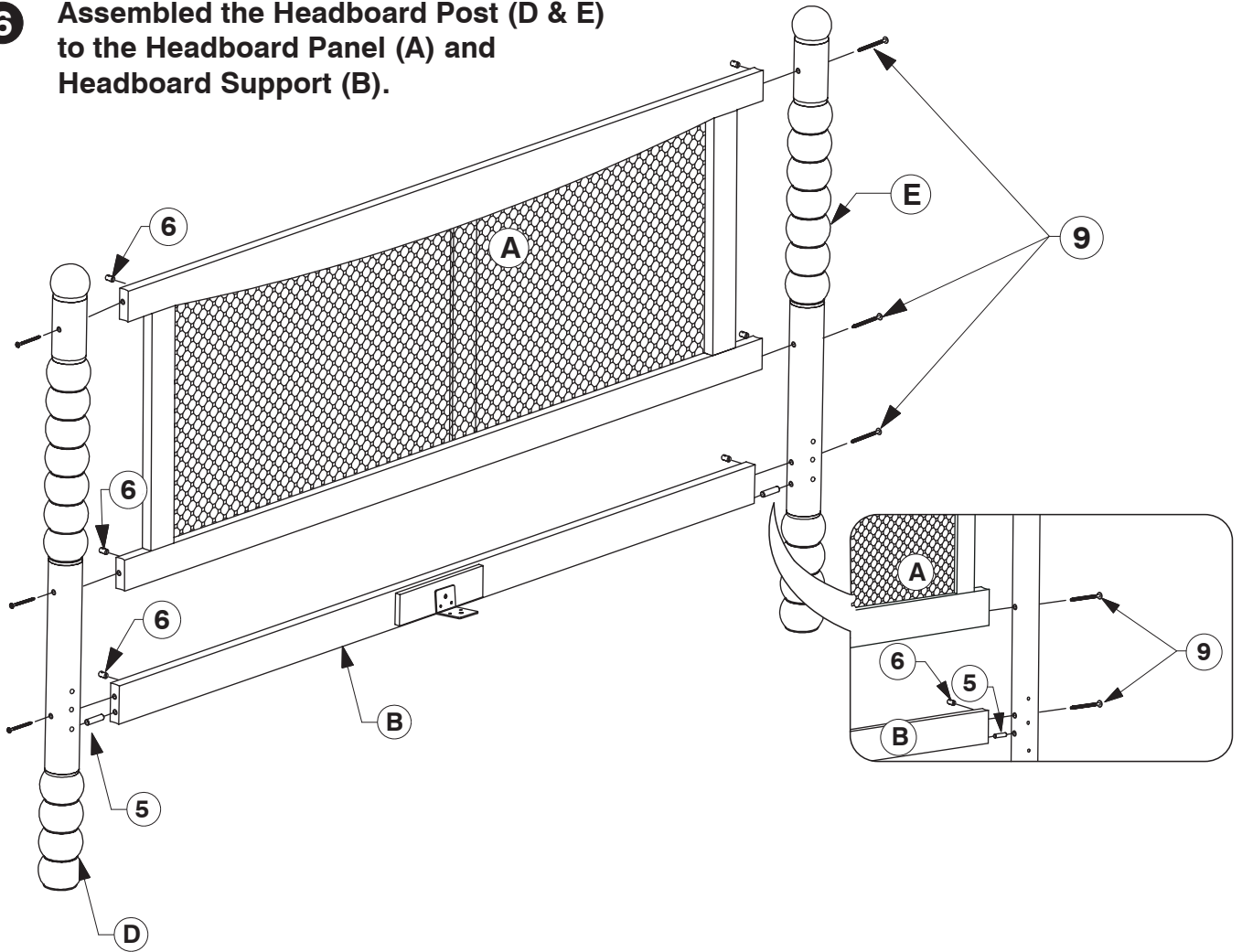


0214-1 Queen Bed

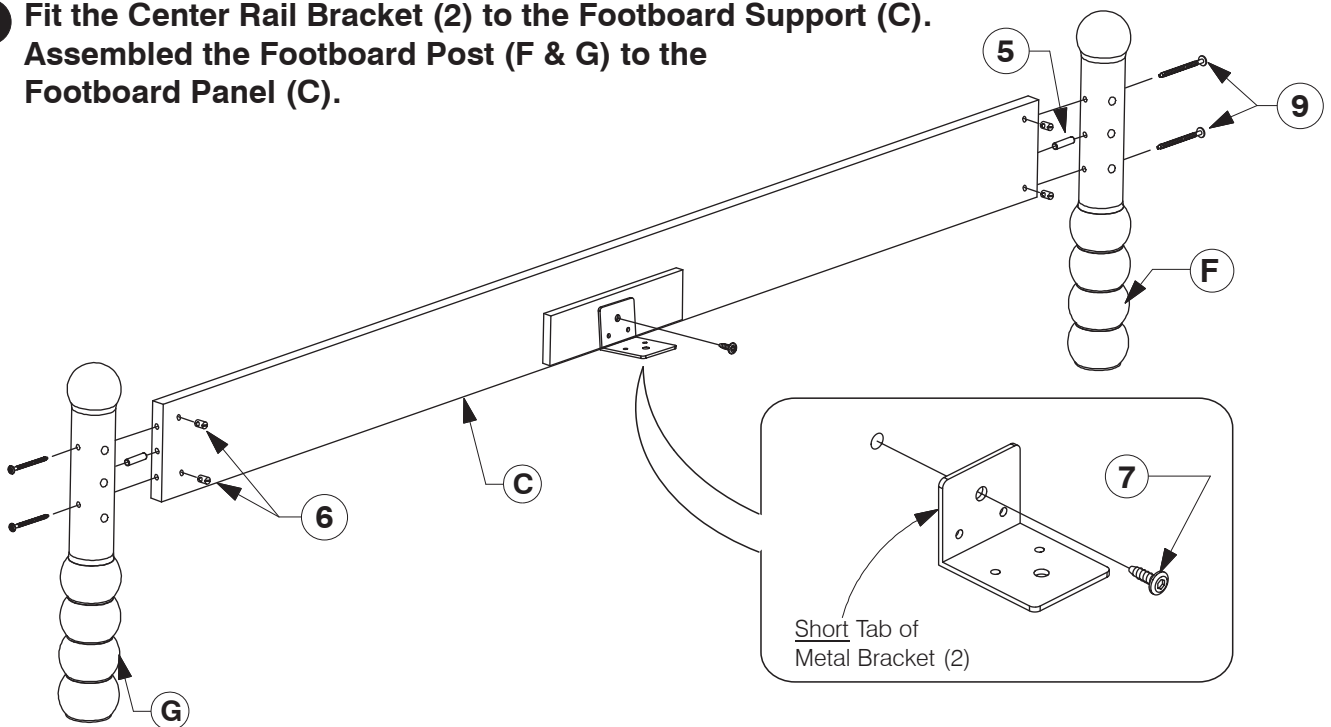
Assembly Instructions

WI-0623

- 6** Assembled the Headboard Post (D & E) to the Headboard Panel (A) and Headboard Support (B).



- 7** Fit the Center Rail Bracket (2) to the Footboard Support (C). Assembled the Footboard Post (F & G) to the Footboard Panel (C).

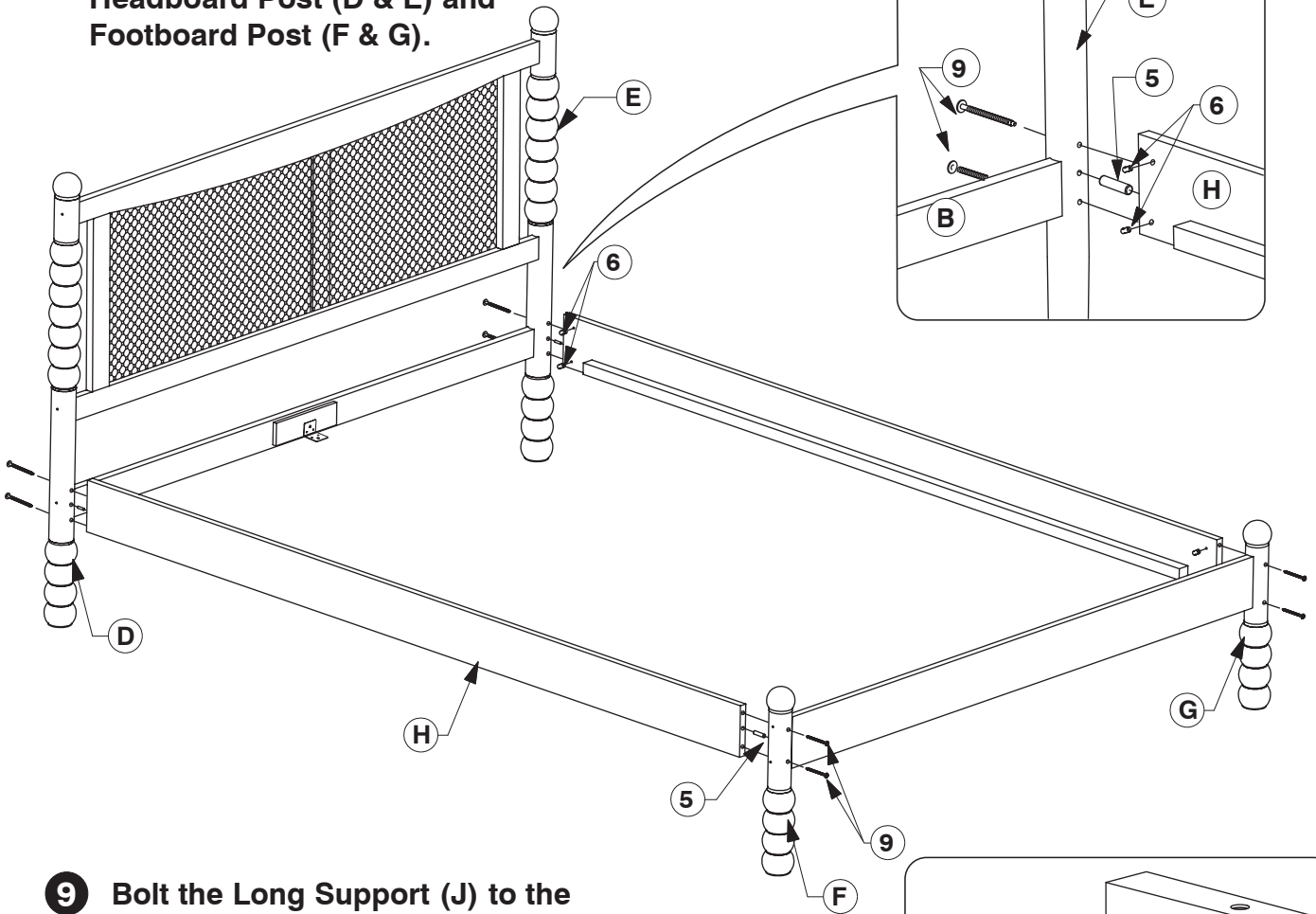


0214-1 Queen Bed

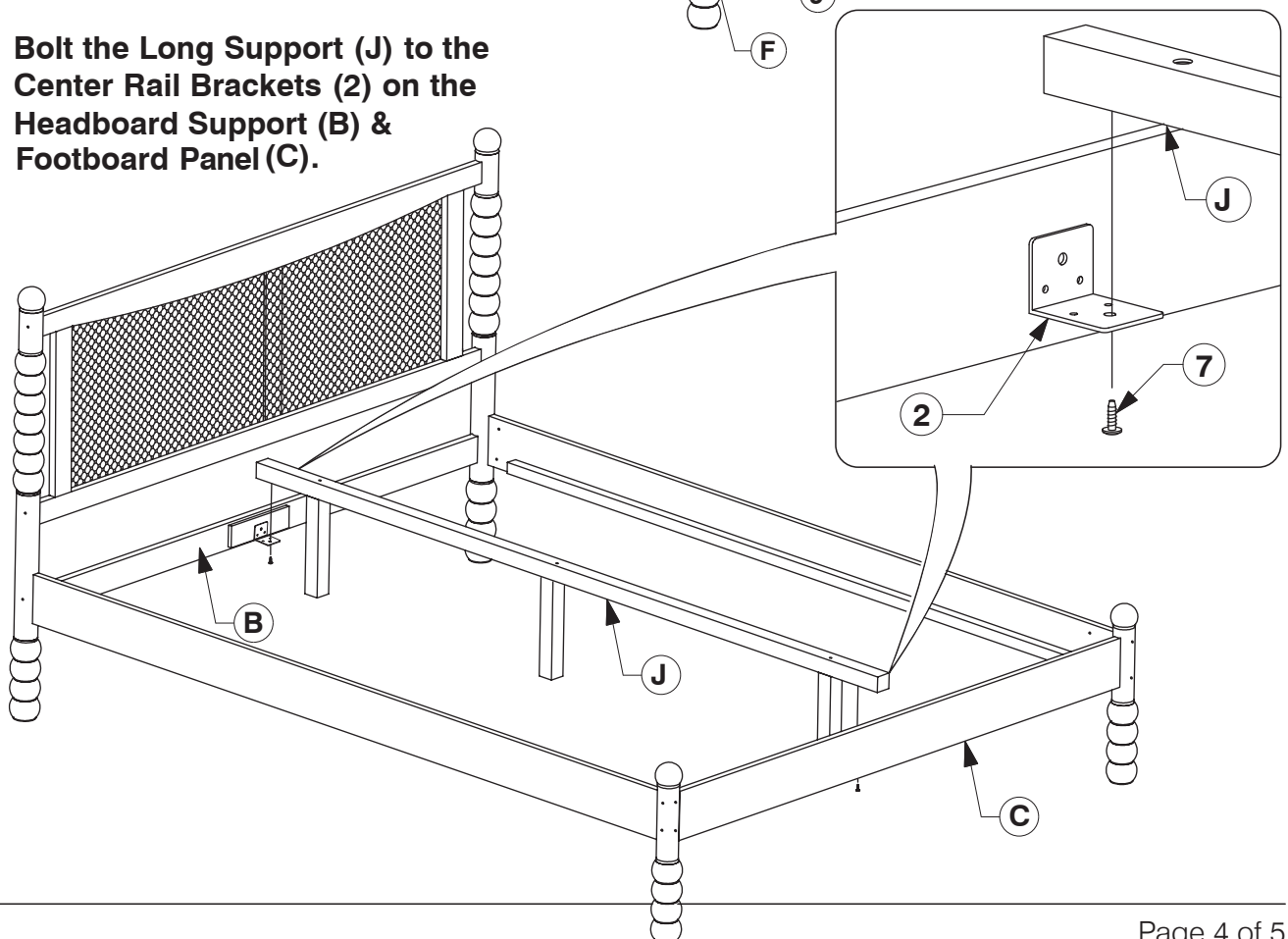
Assembly Instructions

WI-0623

- 8** Assemble the Side Rail (H) to the Headboard Post (D & E) and Footboard Post (F & G).



- 9** Bolt the Long Support (J) to the Center Rail Brackets (2) on the Headboard Support (B) & Footboard Panel (C).



0214-1 Queen Bed

Assembly Instructions

WI-0623

10 Screw the Bed Slats (L) to the Side Rail (H).

