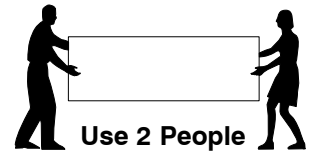


0082 S Queen Bed

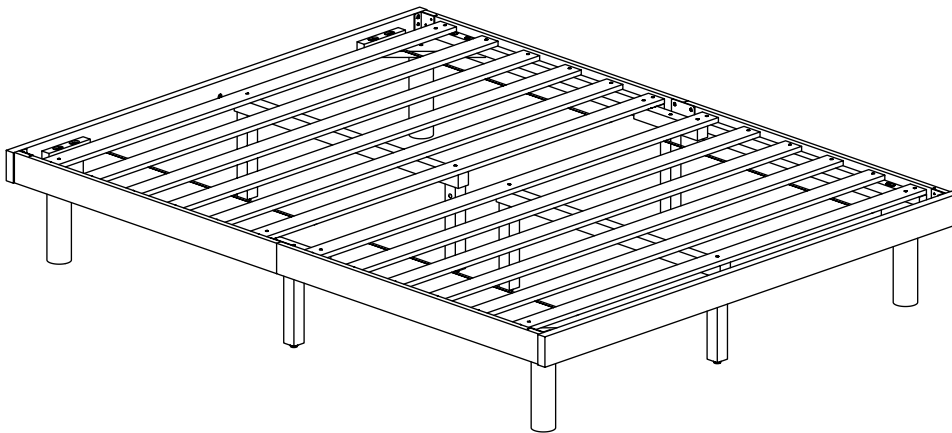
Assembly Instructions

WI-0421

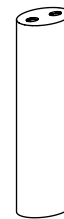
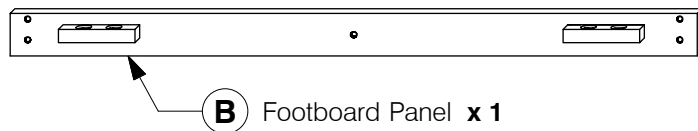
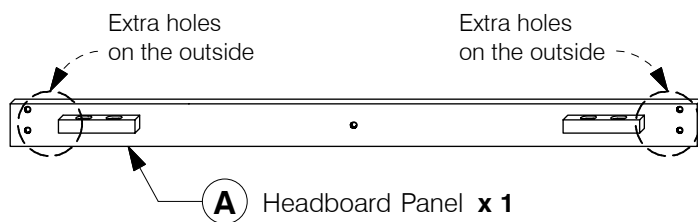
1 Assembled View



Note: Do not assemble using power tools. This can cause the bolts to be overtightened



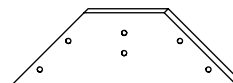
2 Parts List



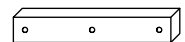
F Post x 4



G Support Leg x 6



H Support Panel x 4



J Support Bar x 2



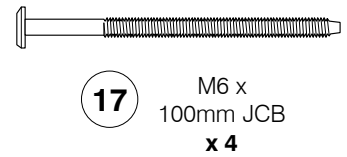
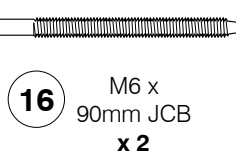
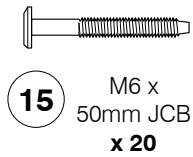
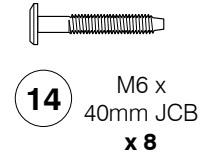
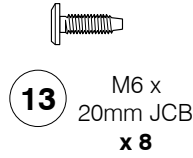
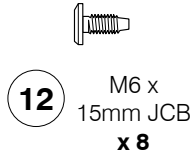
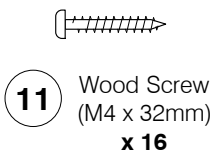
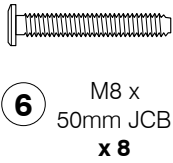
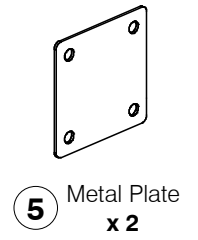
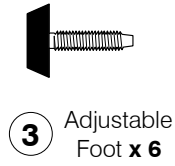
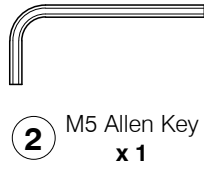
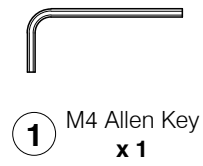
K Set of Bed Slats x 2

0082 S Queen Bed

Assembly Instructions

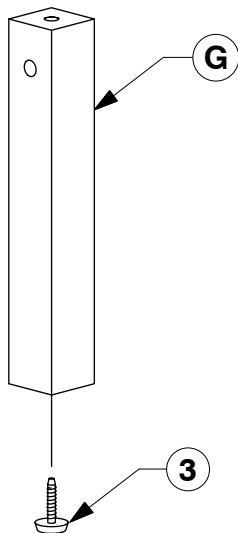
WI-0421

3 Hardware List



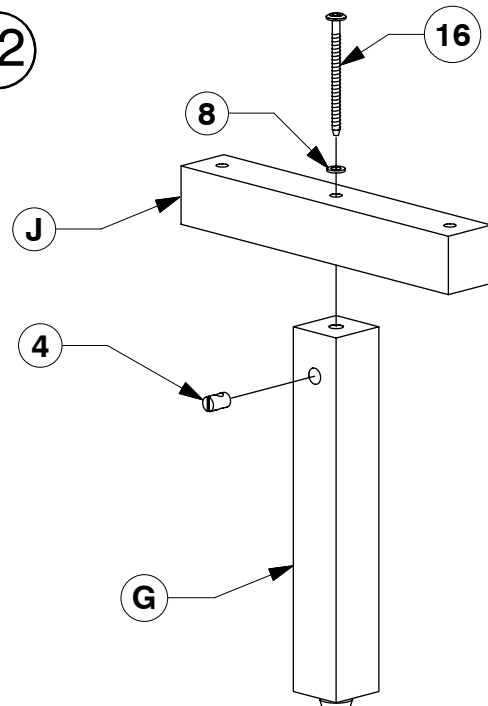
4 Fit the Adjustable foot to the bottom of the Support Legs (G).

x6



5 Fit the Support Bar (J) to the Support Leg (G).

x2



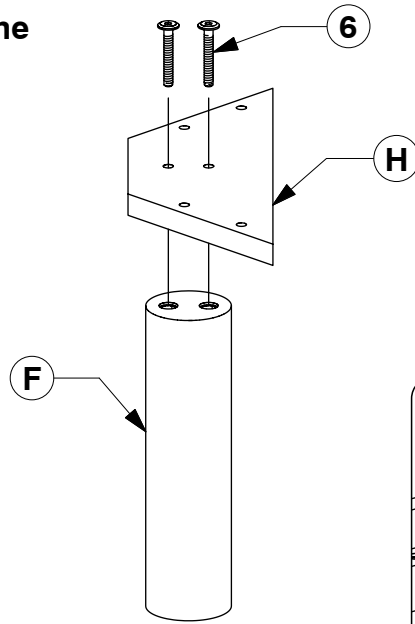
0082 S Queen Bed

Assembly Instructions

WI-0421

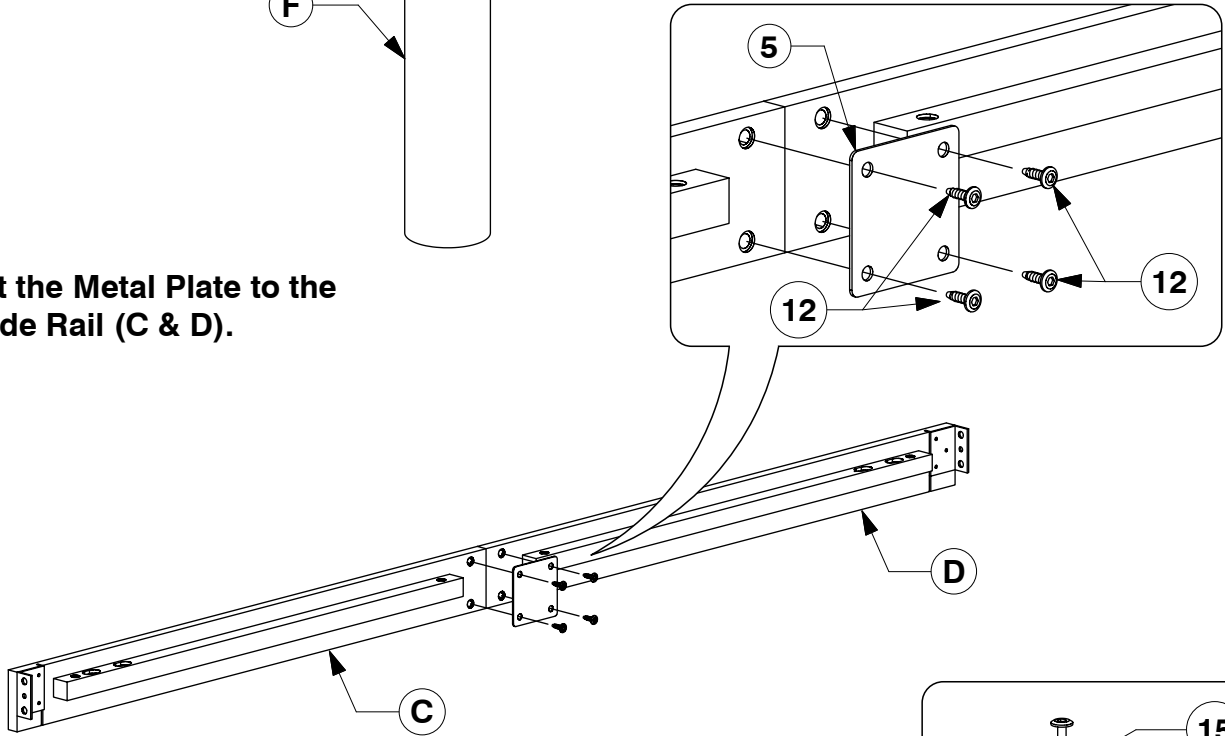
- 6** Fit the Post (F) to the Support Panel (H).

x4



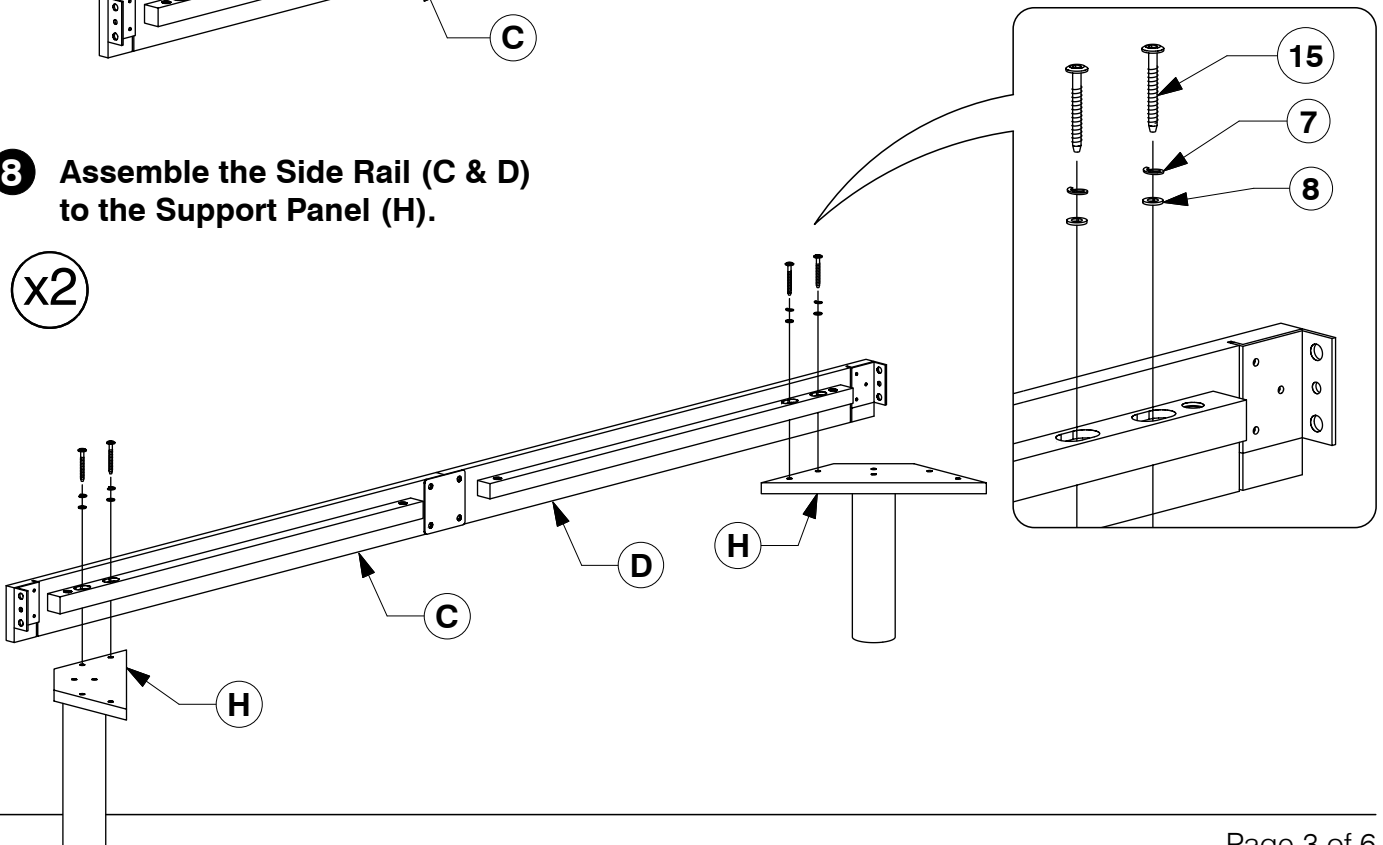
- 7** Fit the Metal Plate to the Side Rail (C & D).

x2



- 8** Assemble the Side Rail (C & D) to the Support Panel (H).

x2

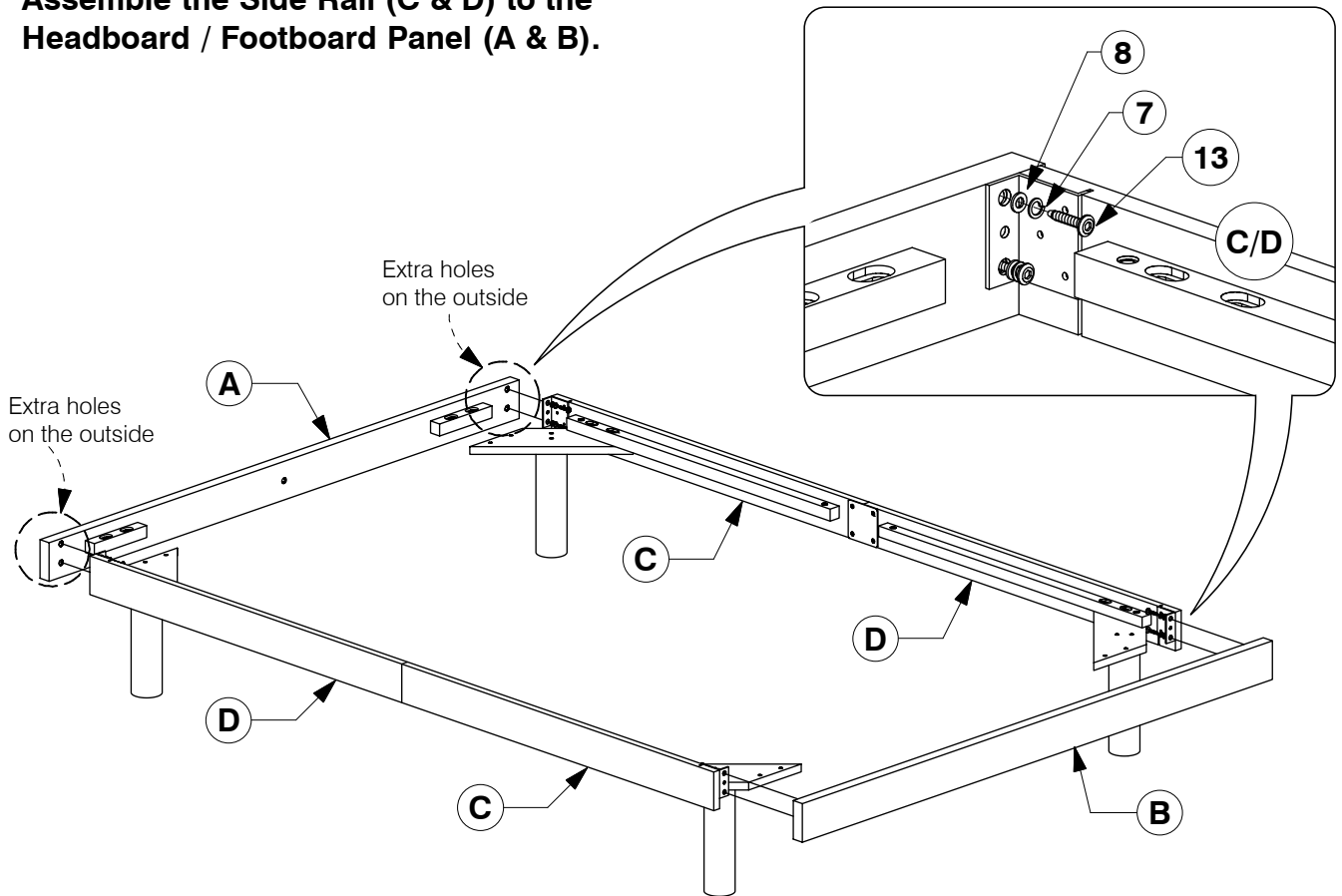


0082 S Queen Bed

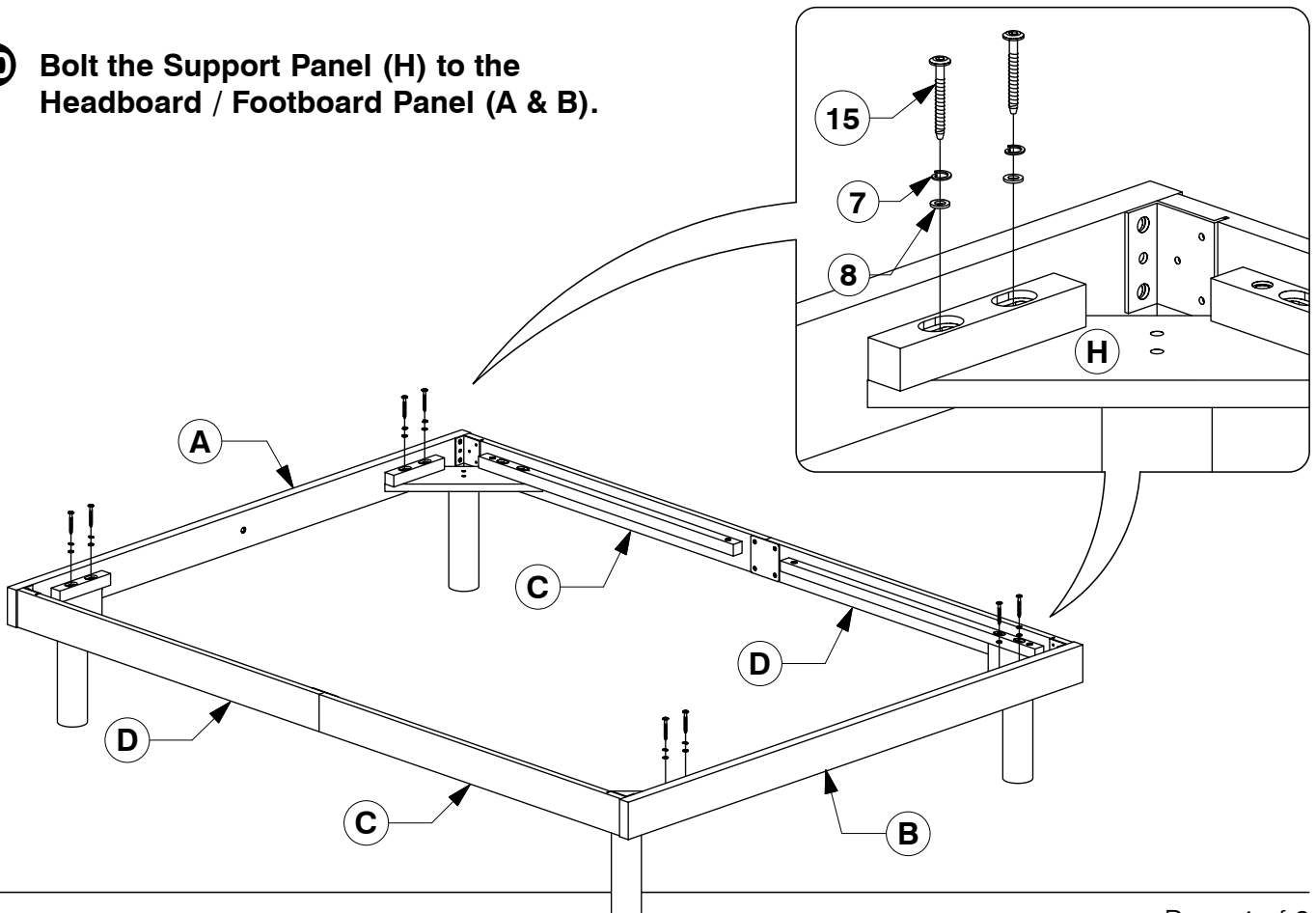
Assembly Instructions

WI-0421

- 9 Assemble the Side Rail (C & D) to the Headboard / Footboard Panel (A & B).**



- 10 Bolt the Support Panel (H) to the Headboard / Footboard Panel (A & B).**



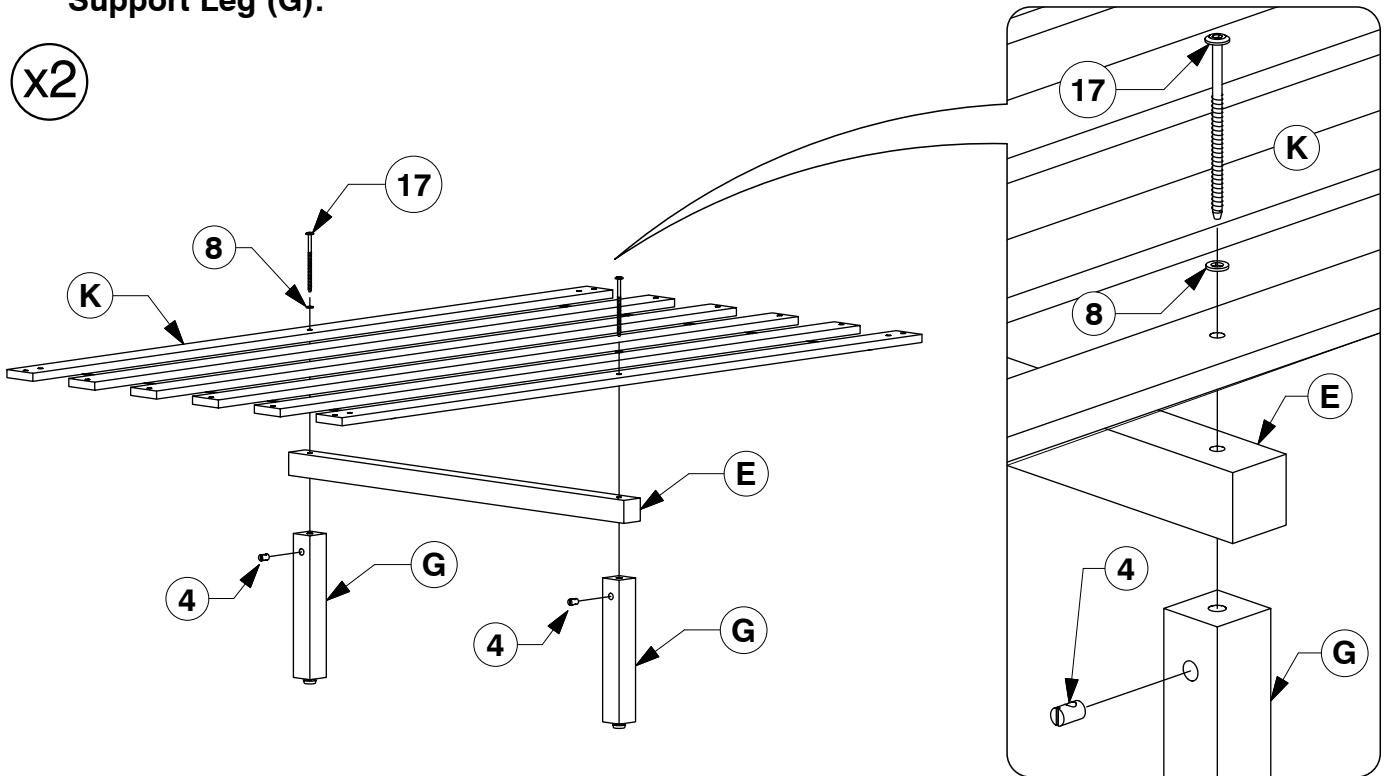
0082 S Queen Bed

Assembly Instructions

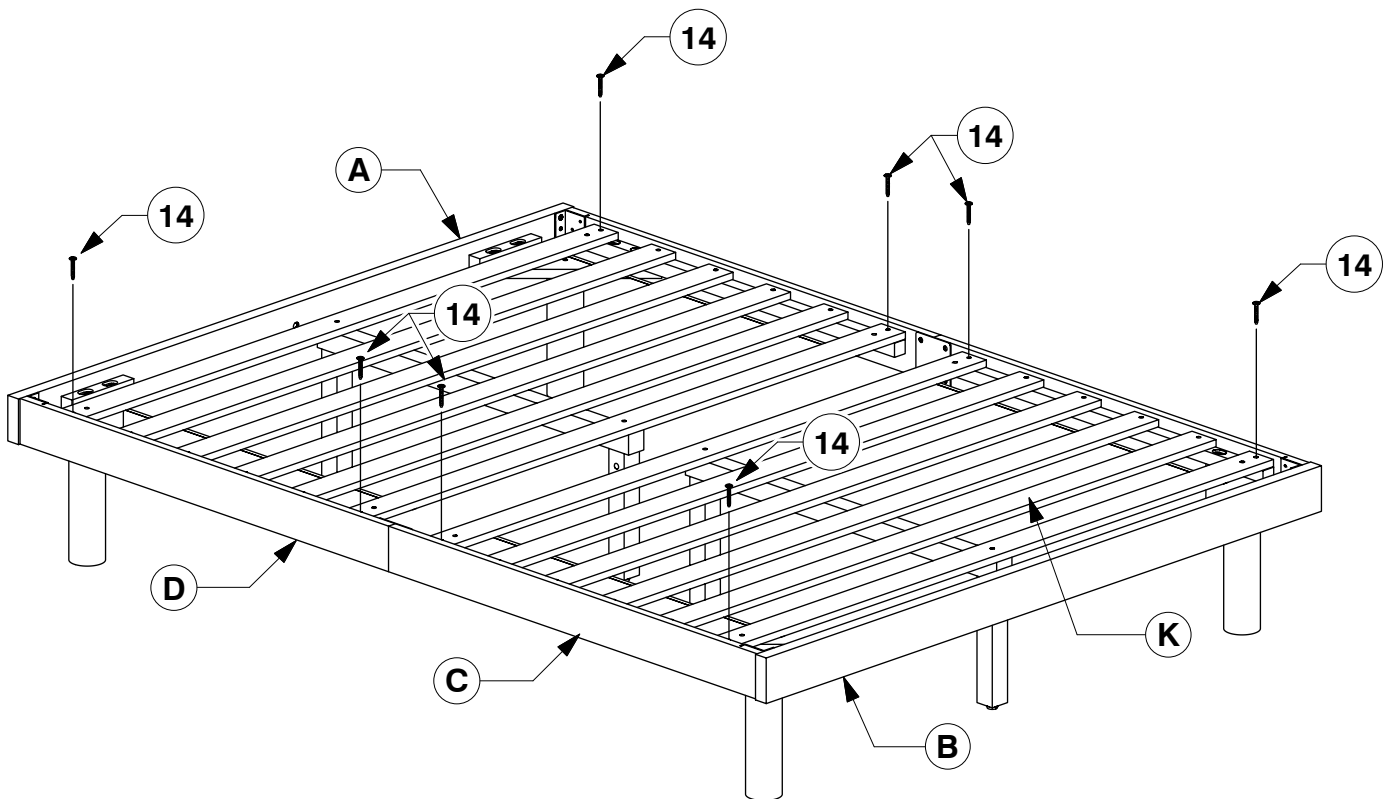
WI-0421

- 11** Fit the Slats (K) to the Long Support (E) & Support Leg (G).

x2



- 12** Bolt the Bed Slats (K) to the Side Rail (C & D).

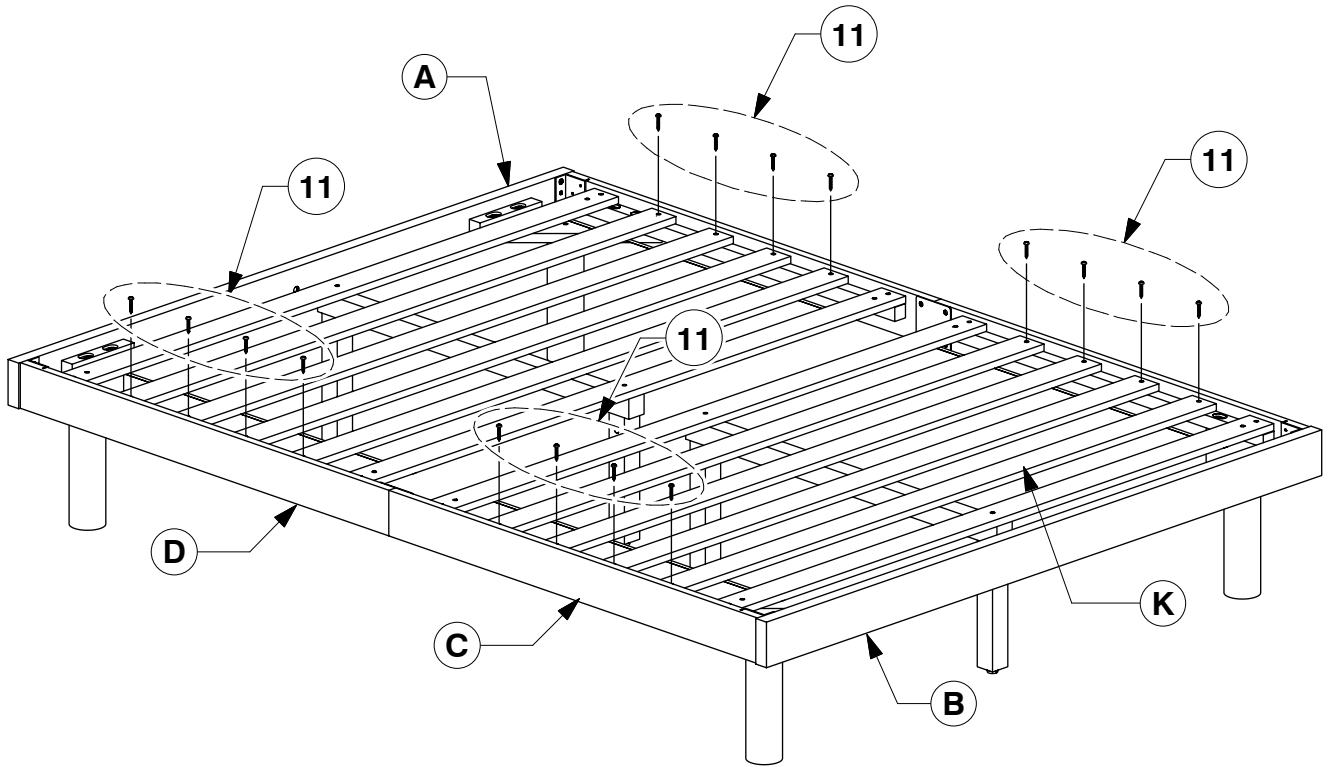


0082 S Queen Bed

Assembly Instructions

WI-0421

13 Screw the Bed Slats (K) to the Side Rail (C & D).



14 Lastly, fit the Support Bar (J) in place.

