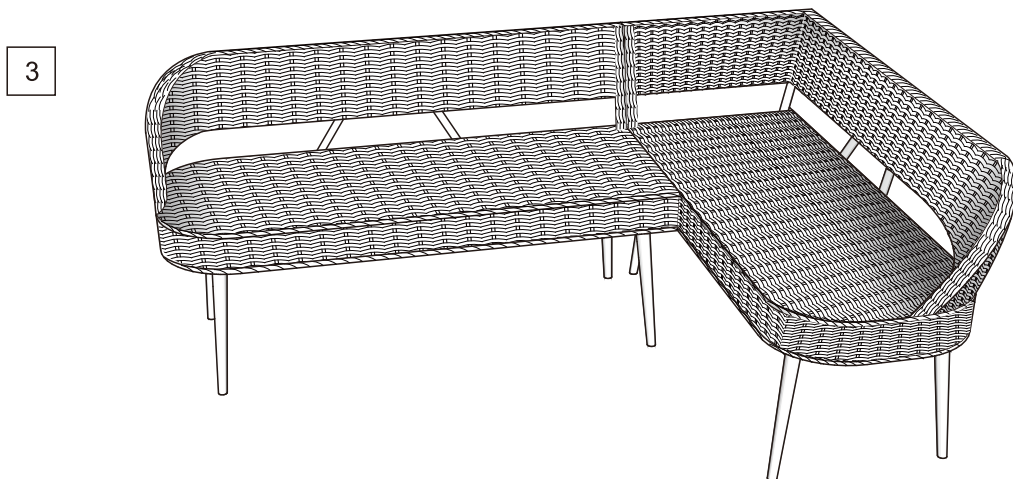
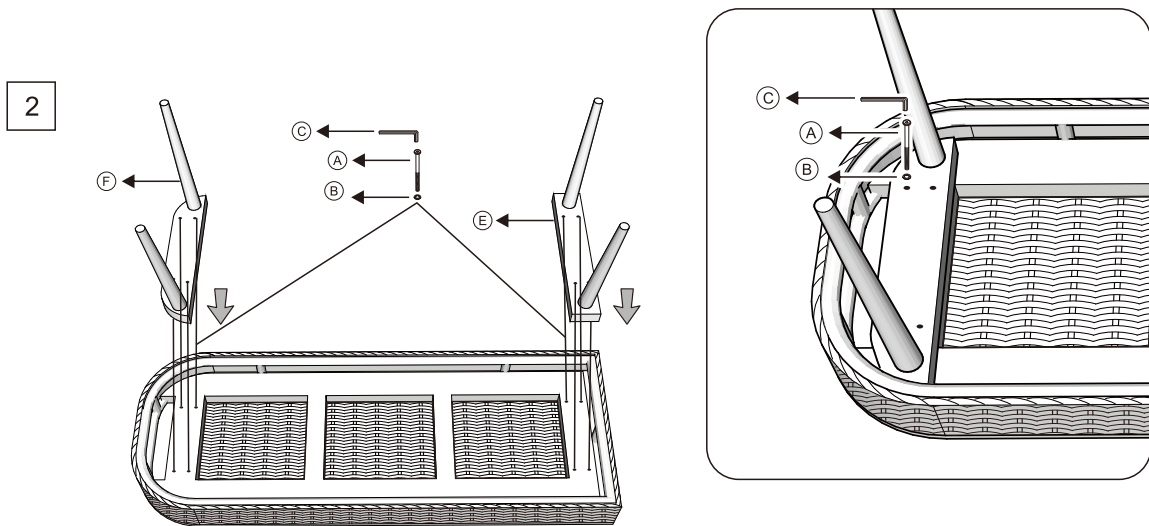
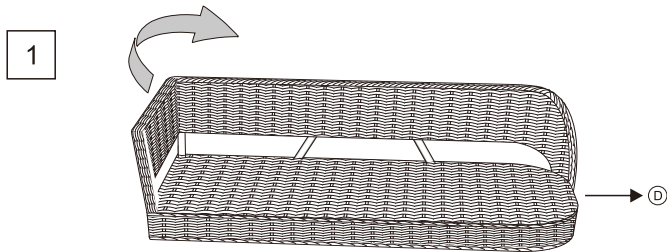
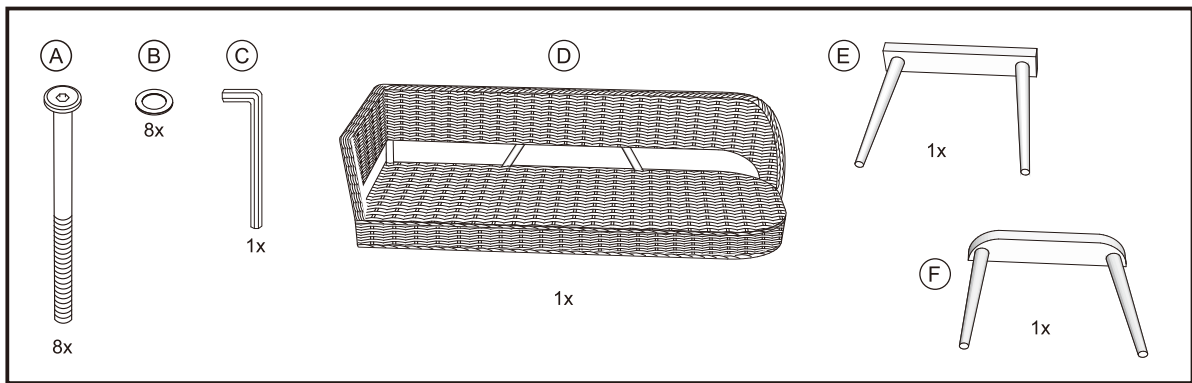


# Assembling Instruction



# ASSEMBLY INSTRUCTION





## MODEL : 7006T

Read this instruction carefully. Remove all wrapping material, staples and straps from the carton. See hardware and furniture part list for guidance. Be sure you have all wooden furniture parts on a clean and flat soft surface, such as a carpet or rug, to prevent from being scratched. Follow the figure to start assembling.

### CAUTION :

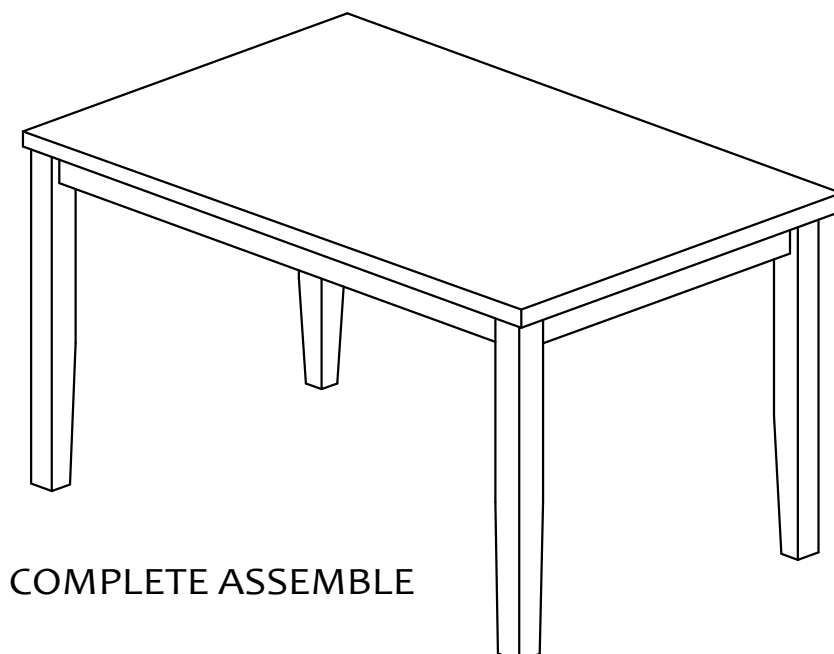
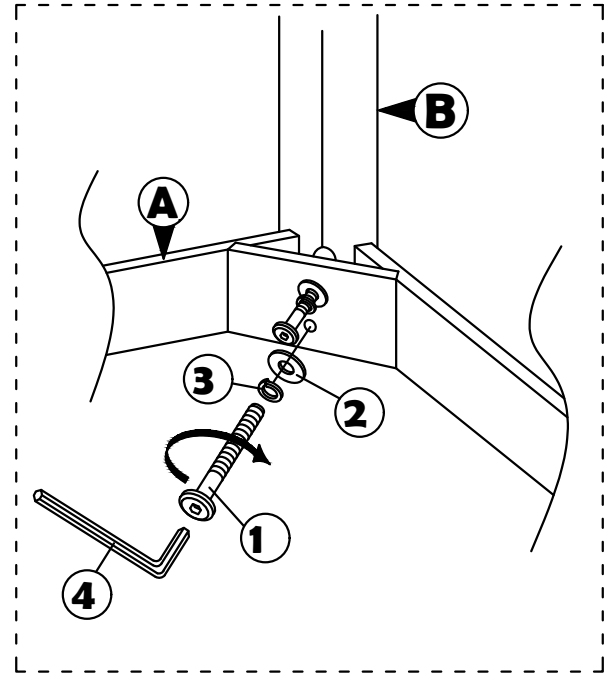
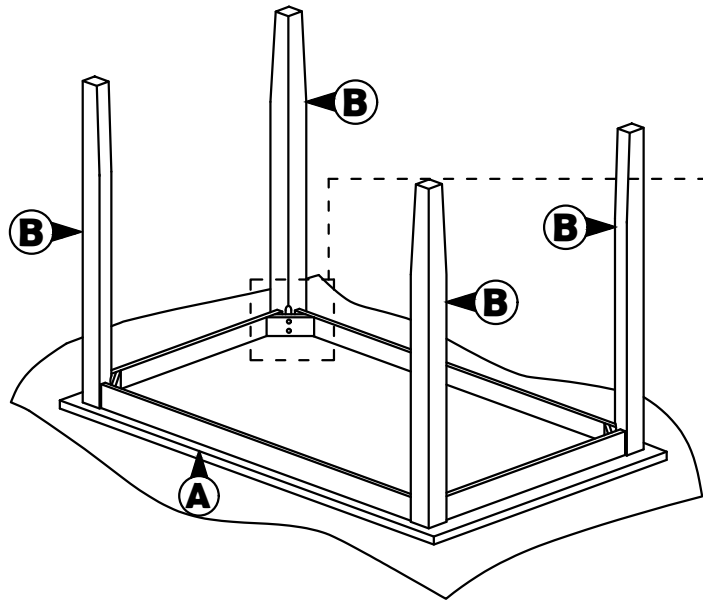
1. Do not FULLY - TIGHTEN the nut or screw until all is ready to assemble.
2. Do not OVER - TIGHTEN the nut or screw to avoid causing damages to the thread.
3. Keep all hardware part out reach of children.

NO	PART LIST	QTY
A	TABLE TOP	1 PC
B	TABLE LEG	4 PCS

NO	DESCRIPTION		QTY
1	JCBC M6 x 70mm		8 PCS
2	FLAT WASHER 6 / 19"		8 PCS
3	SPRING WASHER 6 / 13"		8 PCS
4	M4 ALLEN KEY		1 PC

### STEP 1

Attached B to A according to the hole and tighten it using hardware number 1, 2, 3, and 4.



COMPLETE ASSEMBLE