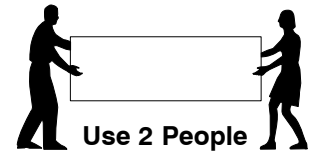
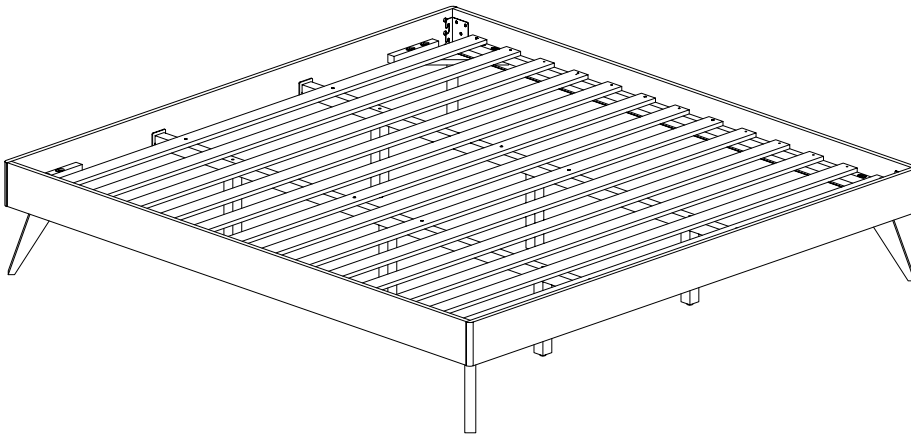


King Bed

Assembly Instructions

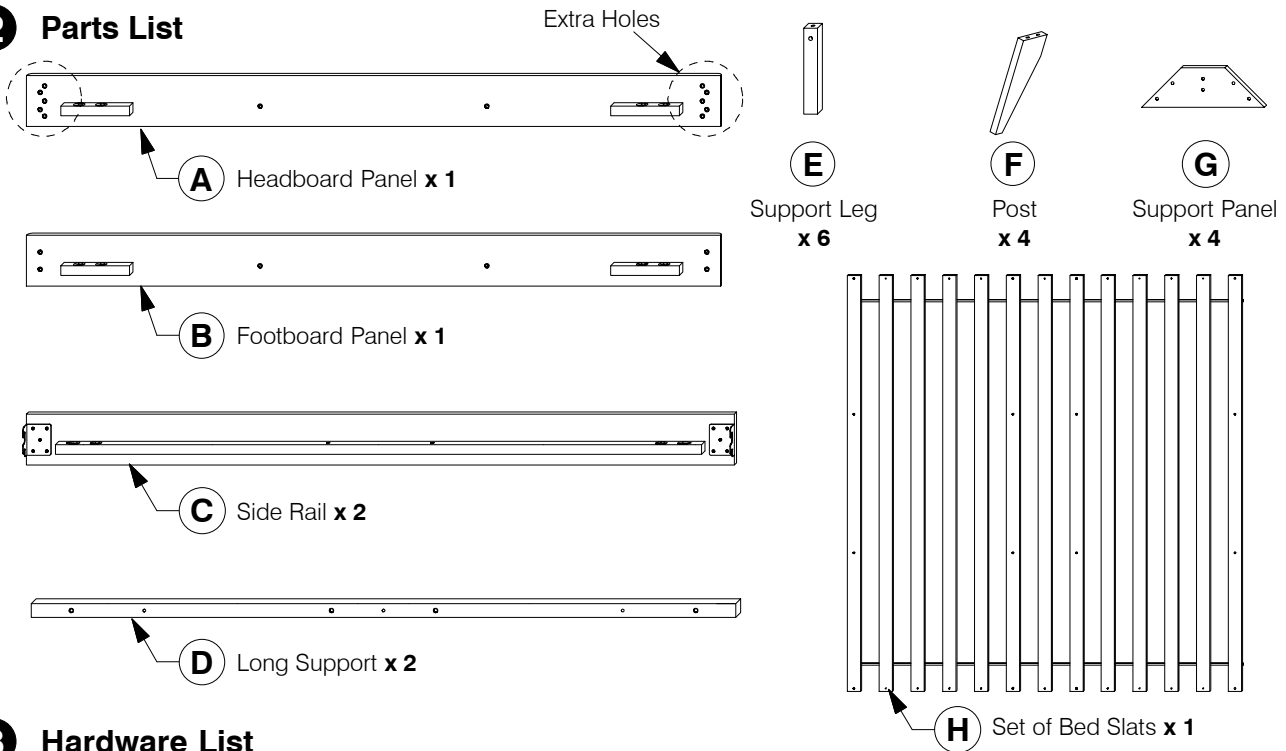
0818

1 Assembled View

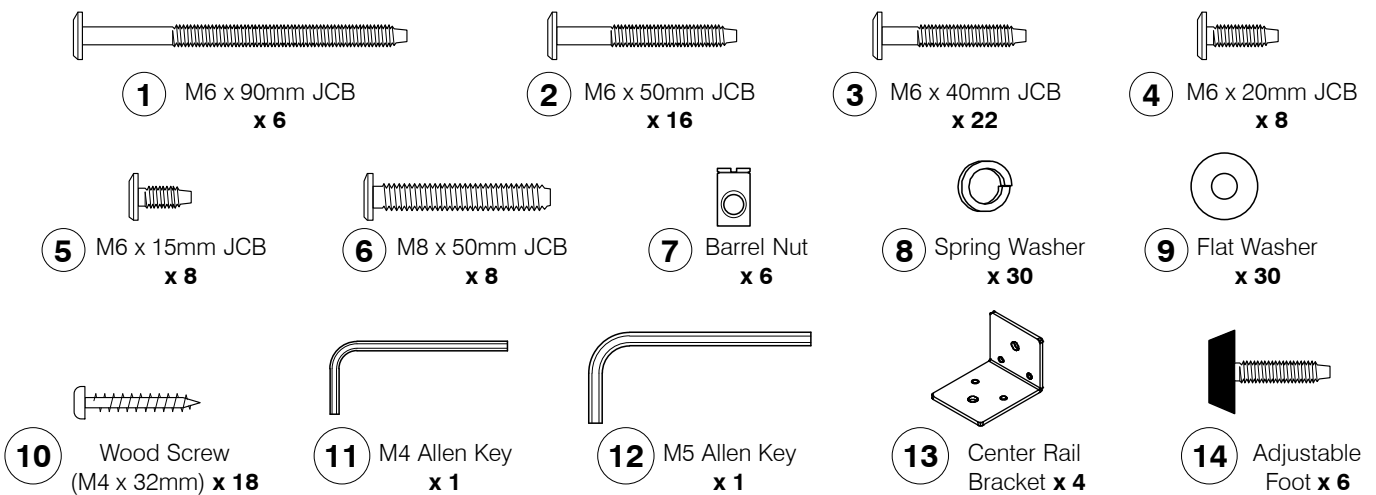


Note: Do not assemble using power tools. This can cause the bolts to be overtightened

2 Parts List



3 Hardware List

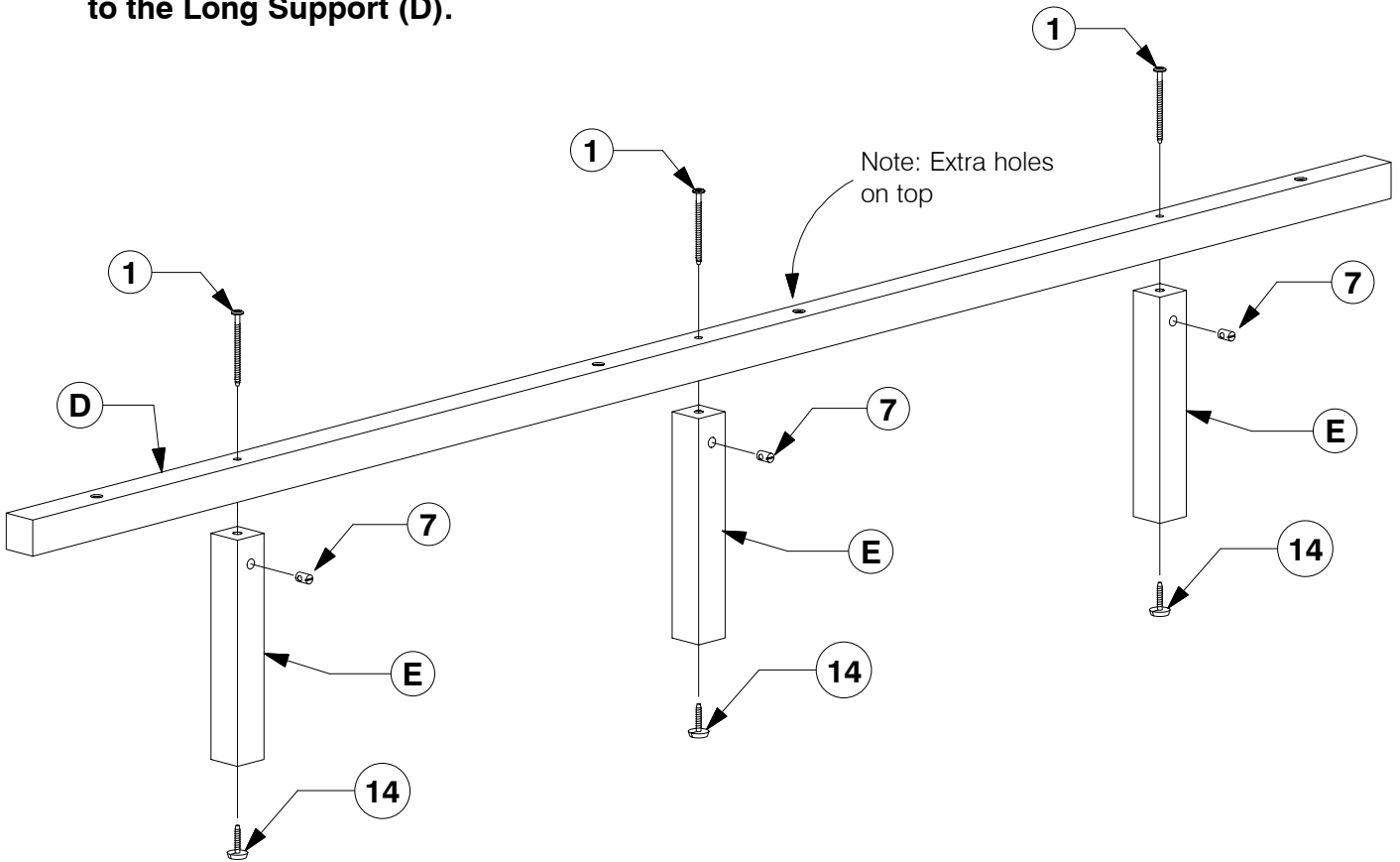


King Bed

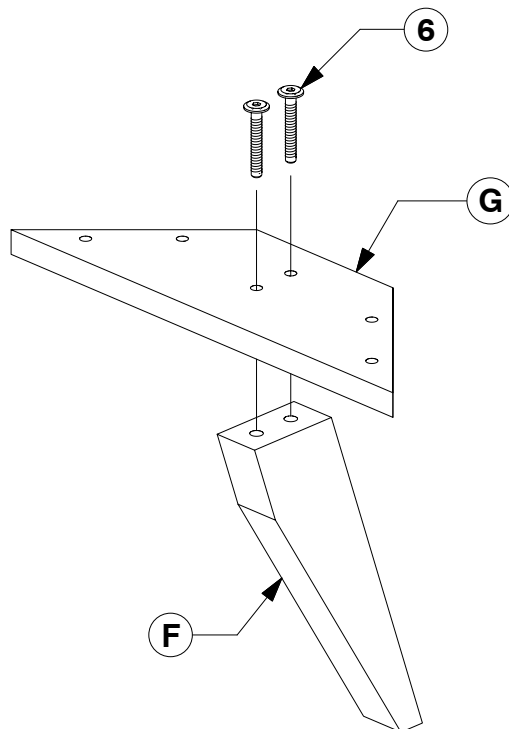
Assembly Instructions

0818

4 Assembled the Support Leg (E) to the Long Support (D).



5 Fit the Post (F) to the Support Panel (G).

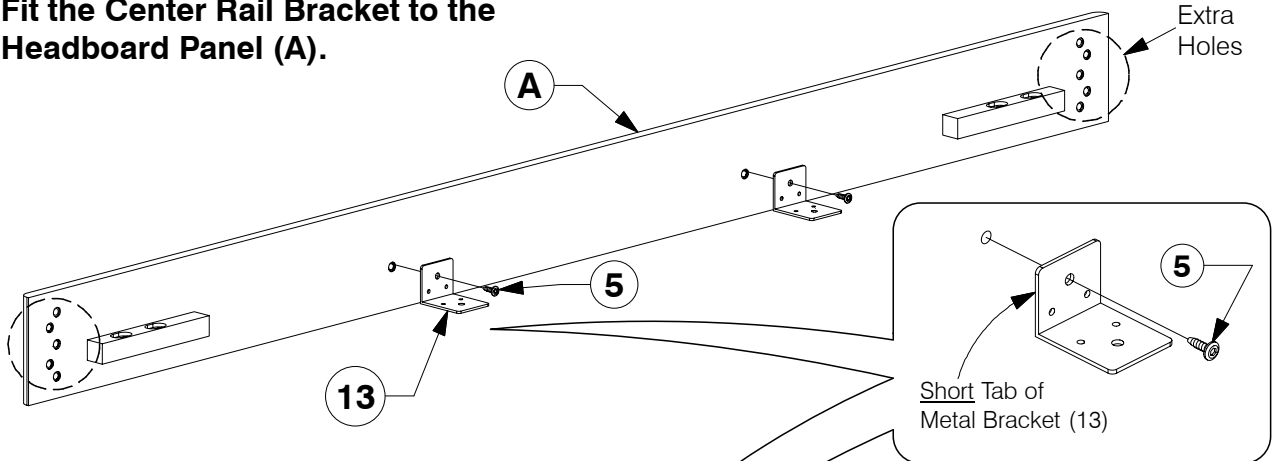


King Bed

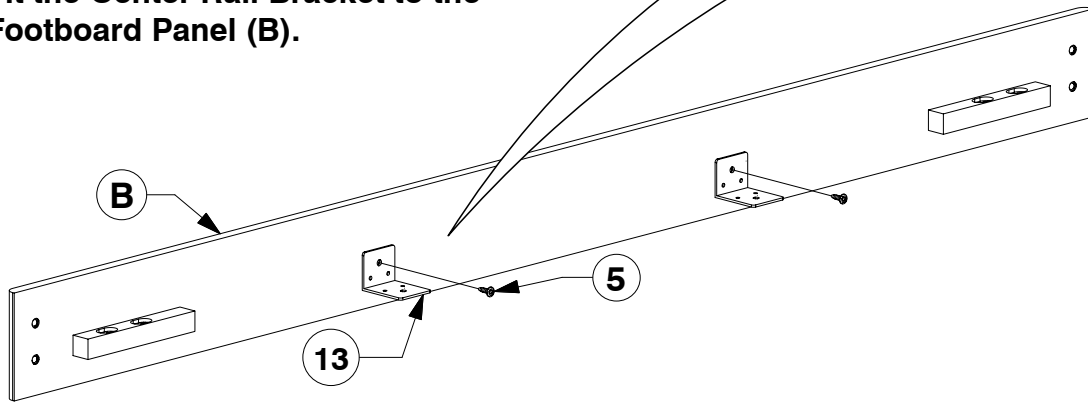
Assembly Instructions

0818

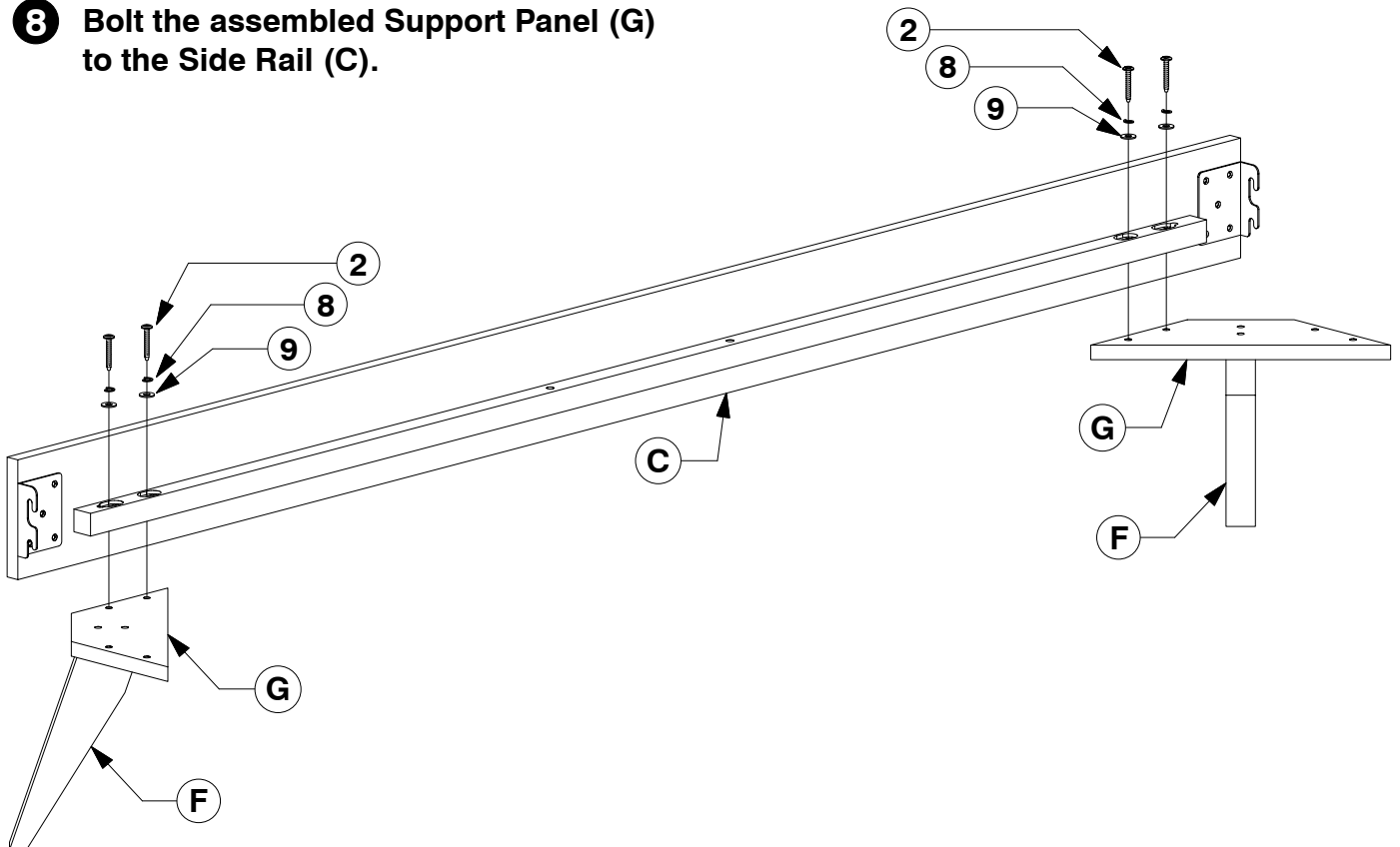
- 6** Fit the Center Rail Bracket to the Headboard Panel (A).



- 7** Fit the Center Rail Bracket to the Footboard Panel (B).



- 8** Bolt the assembled Support Panel (G) to the Side Rail (C).

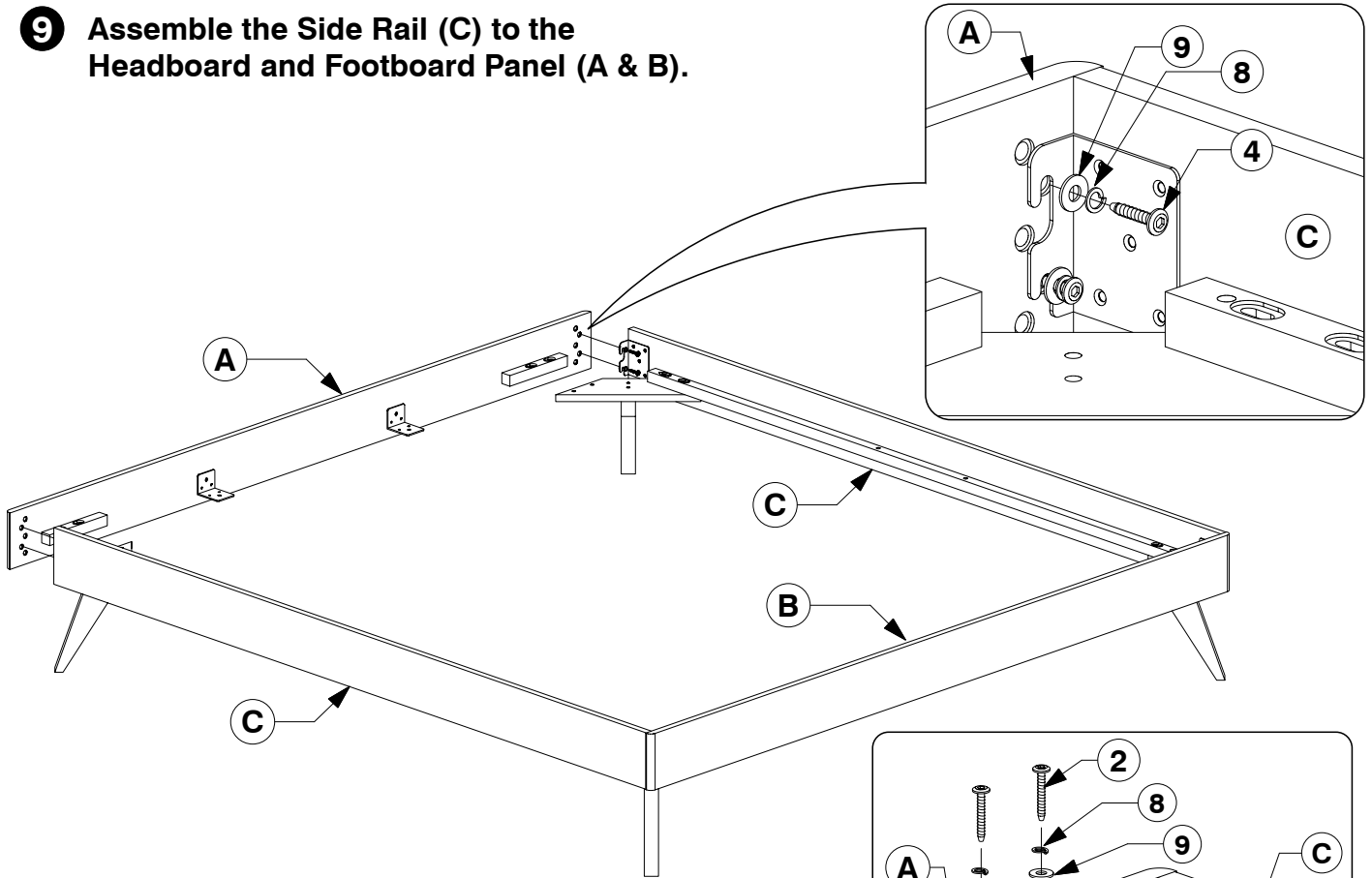


King Bed

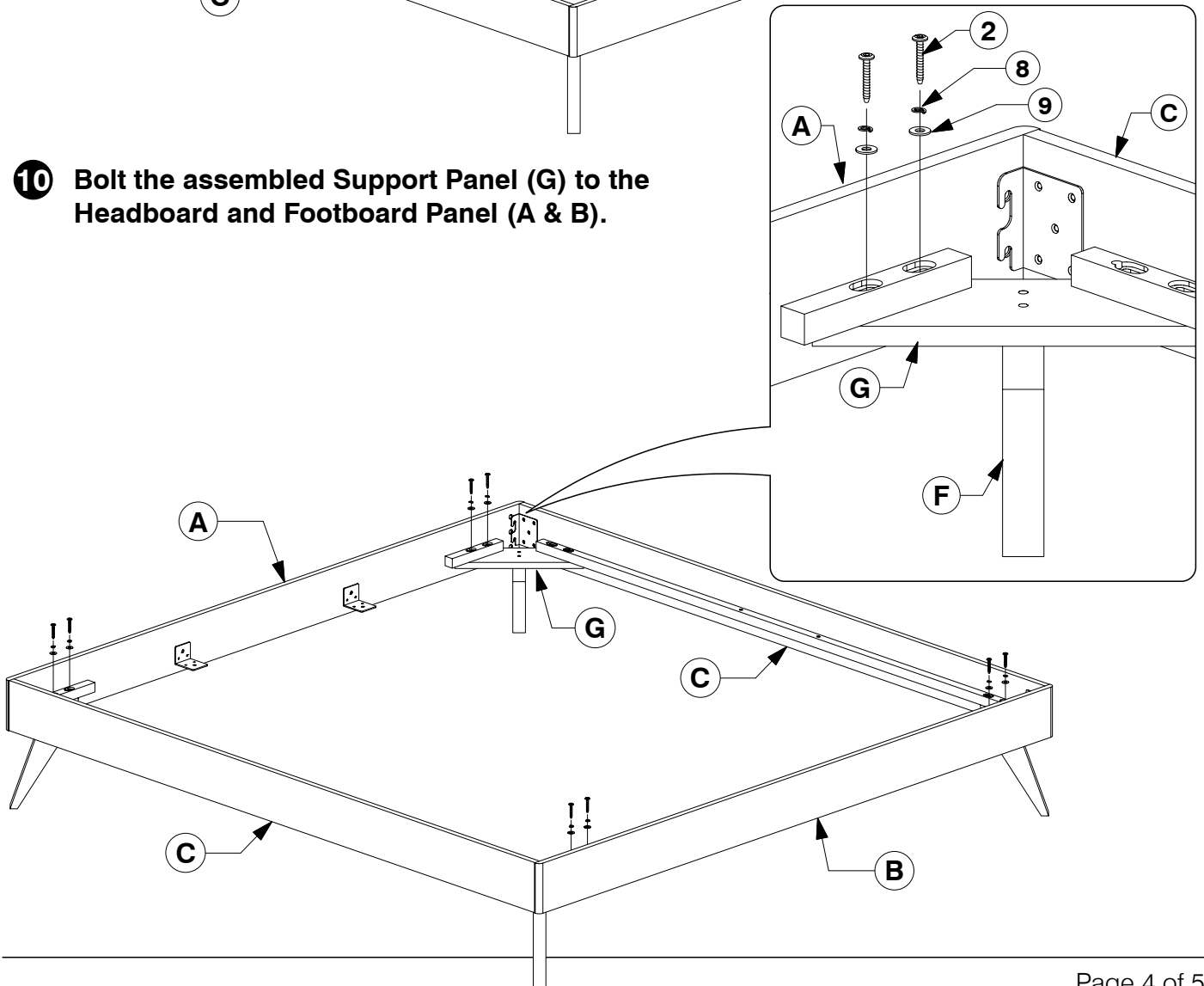
Assembly Instructions

0818

- 9** Assemble the Side Rail (C) to the Headboard and Footboard Panel (A & B).



- 10** Bolt the assembled Support Panel (G) to the Headboard and Footboard Panel (A & B).

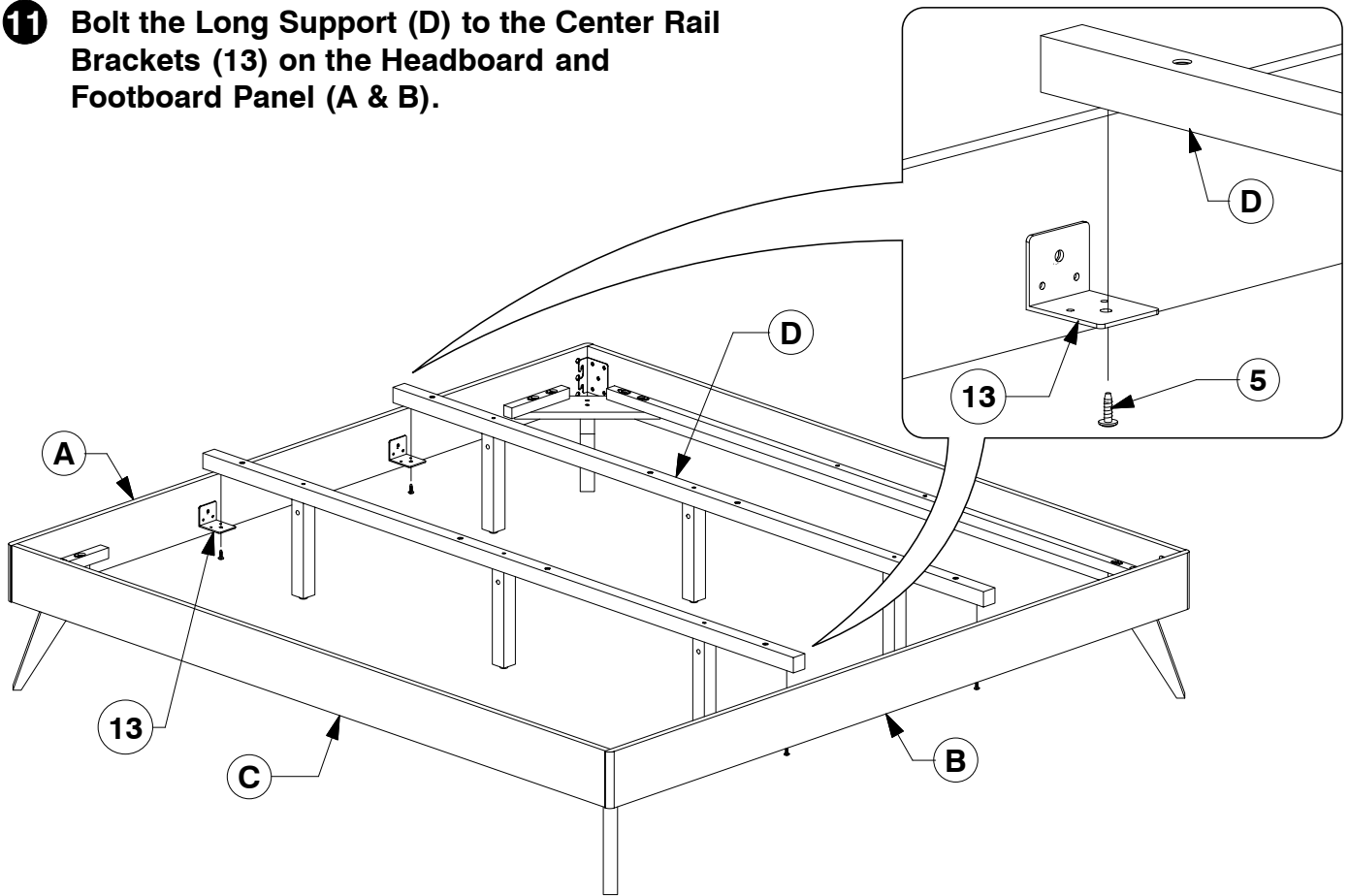


King Bed

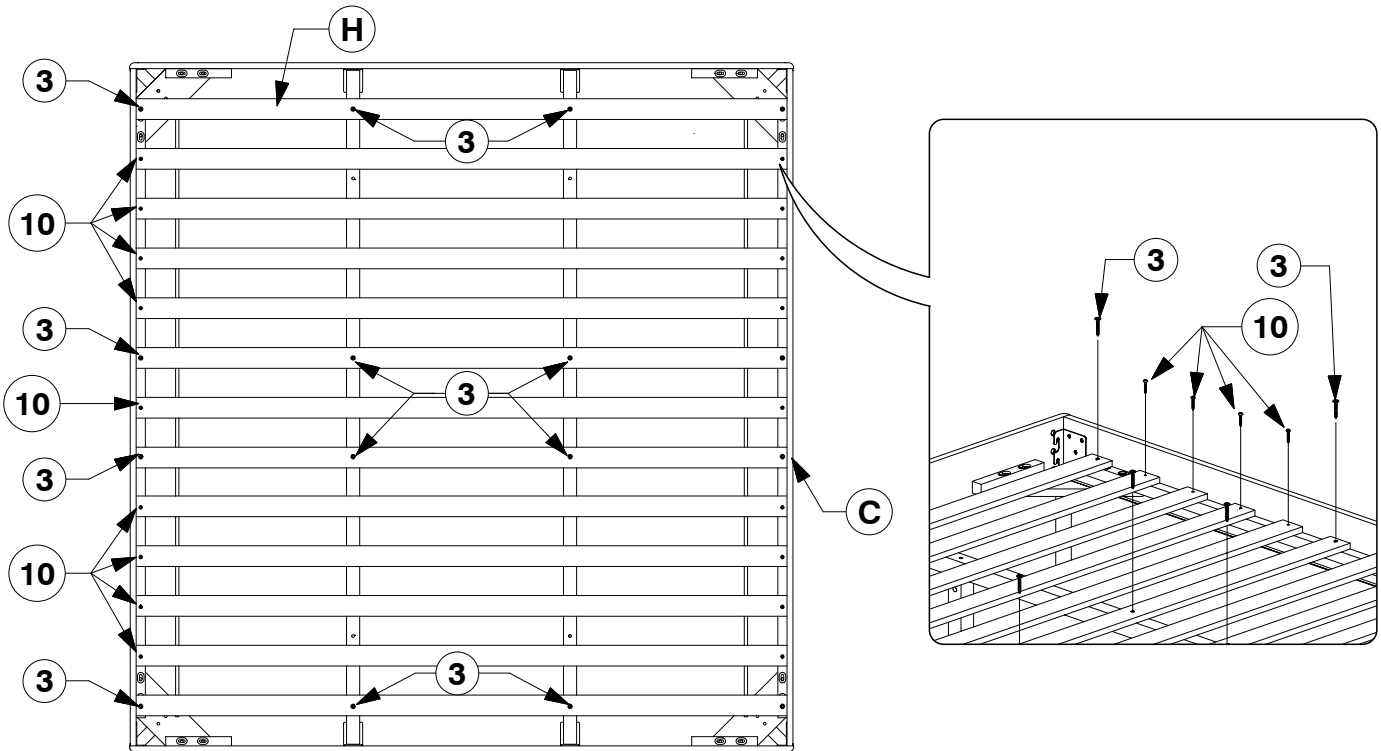
Assembly Instructions

0818

- 11** Bolt the Long Support (D) to the Center Rail Brackets (13) on the Headboard and Footboard Panel (A & B).



- 12** Bolt & screw the Bed Slats (H) to the Side Rail (C).

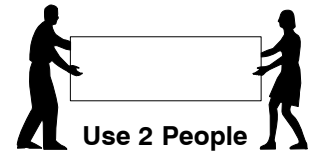
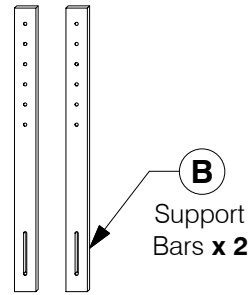
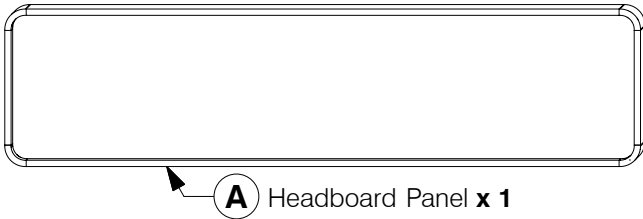


King Headboard

Assembly Instructions

0818

1 Parts List



2 Hardware List



1 M6 x 35mm JCB
x 4



2 Spring Washer
x 4



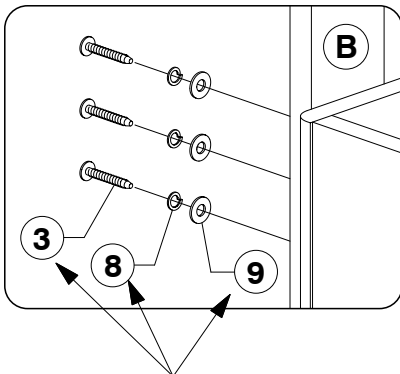
3 Flat Washer
x 4



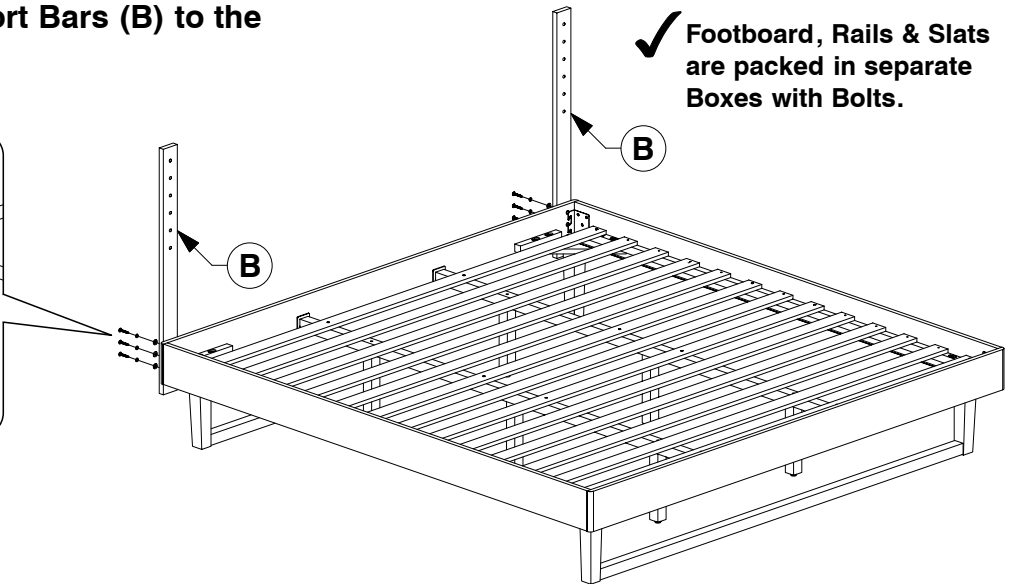
4 Allen Key
x 1

Note: Do not assemble using power tools. This can cause the bolts to be overtightened

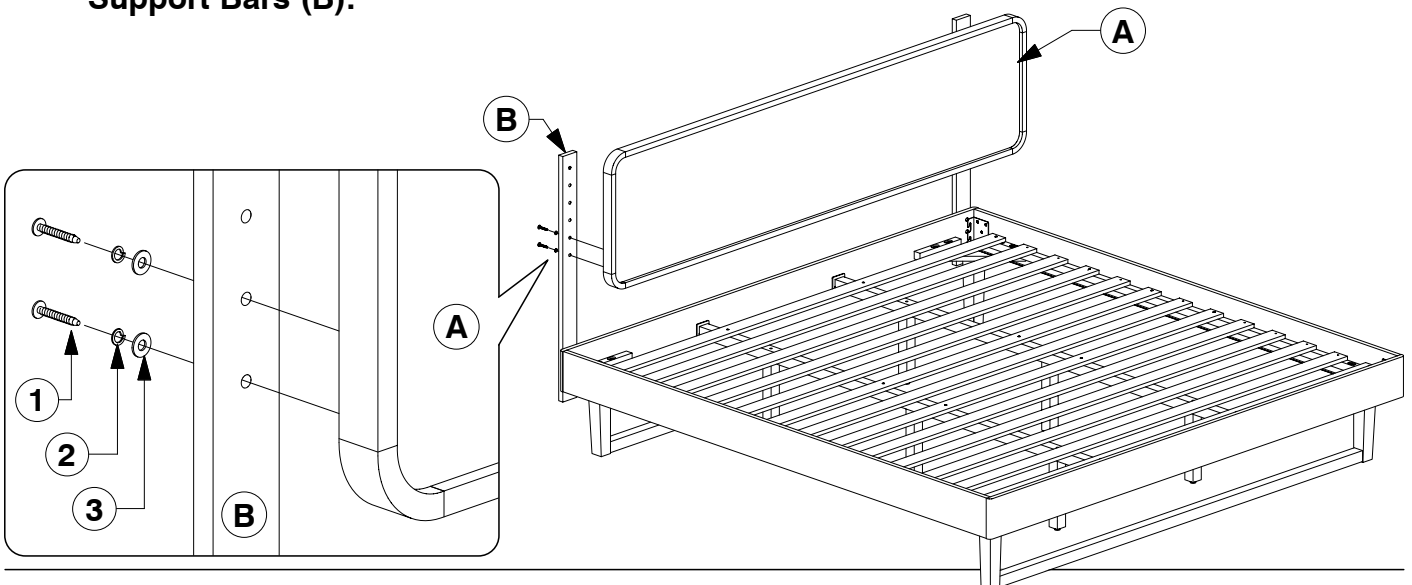
3 Assemble the Support Bars (B) to the Headboard Panel.



Note: Bolts & Washers from Footboard, Rails & Slats Box.



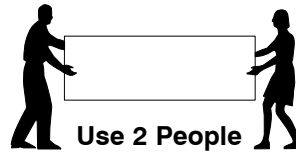
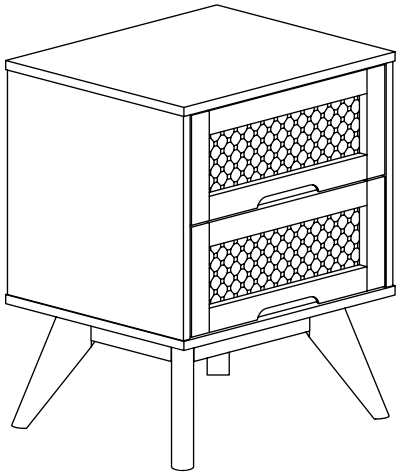
4 Assemble the Headboard Panel (A) to the Support Bars (B).



9001 2 Drawer Nightstand

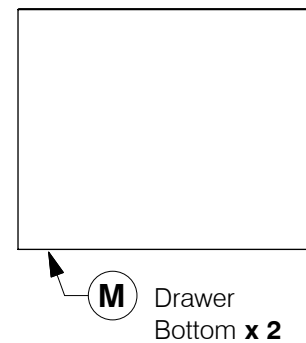
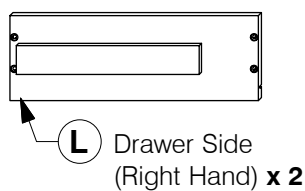
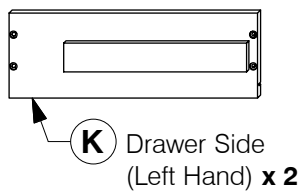
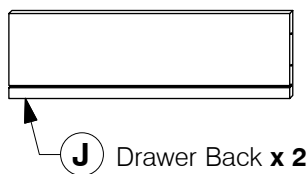
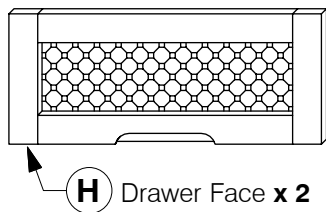
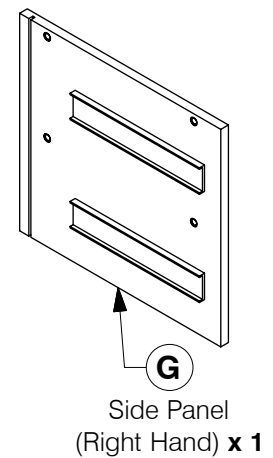
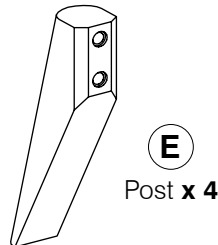
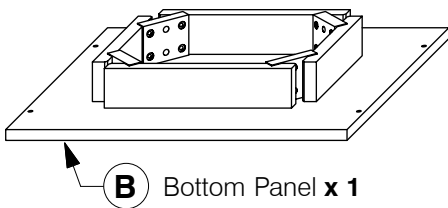
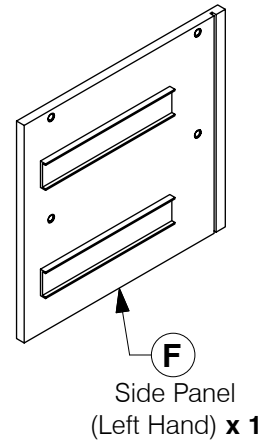
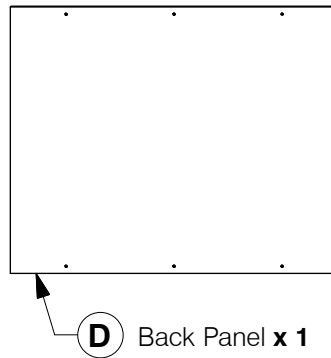
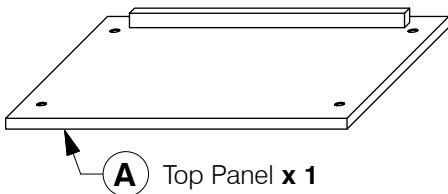
Assembly Instructions

WI-1220



Note: Do not assemble using power tools. This can cause the bolts to be overtightened

1 Parts List



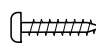
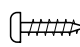

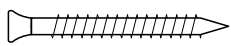






9001 2 Drawer Nightstand

Assembly Instructions

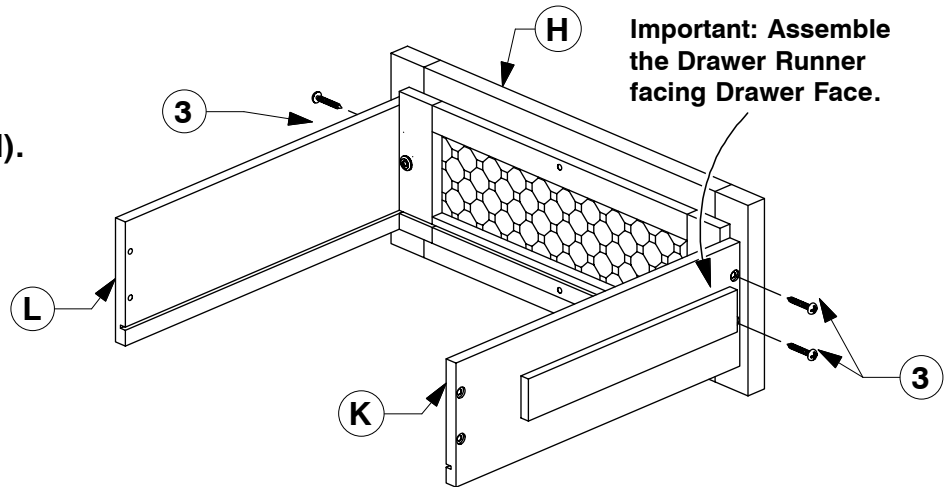
WI-1220

2 Hardware List

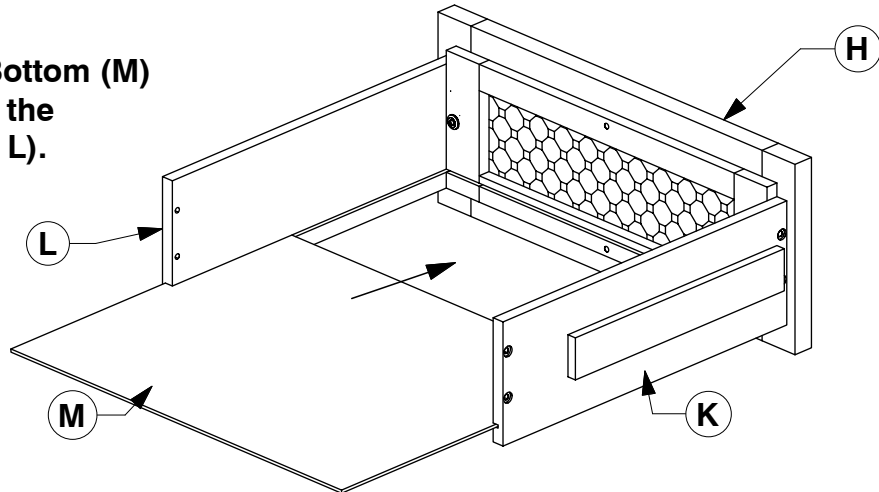
- | | | | | |
|--|---|---|--|--|
| 
① M6 x 15mm
JCB x 16 | 
② M6 x 60mm
JCB x 8 | 
③ M4 x 25mm
Wood Screw x 16 | 
④ M4 x 20mm
Wood Screw x 4 | 
⑤ M4 x 16mm
Wood Screw x 6 |
| 
⑥ CSK Cap Wood Screw
(M6 x 50mm) x 4 | 
⑦ Spring
Washer x 8 | 
⑧ Flat Washer
x 8 | 
⑨ 'L' Bracket
(5005-3) x 8 | 
⑩ Allen Key
x 1 |

3 Assemble the Drawer Sides (K & L) to the Drawer Face (H).

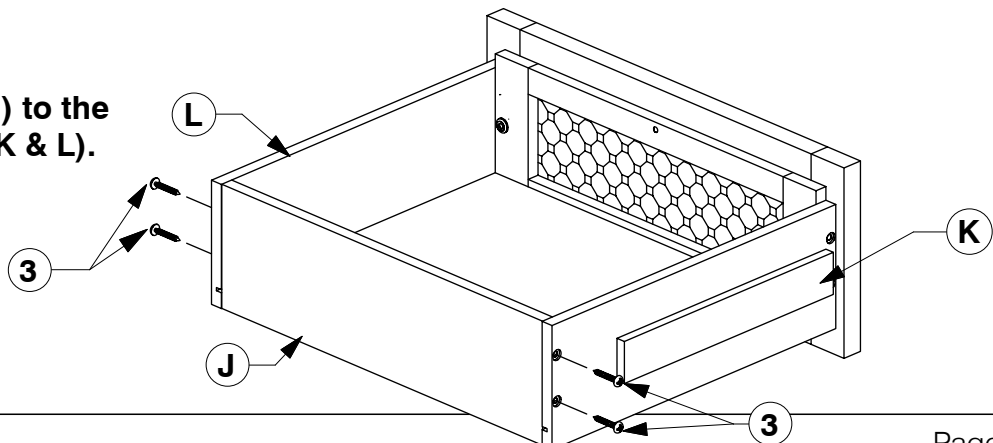
x2



4 Slide the Drawer Bottom (M) into the groove on the Drawer Sides (K & L).



5 Assemble the Drawer Back (J) to the Drawer Sides (K & L).

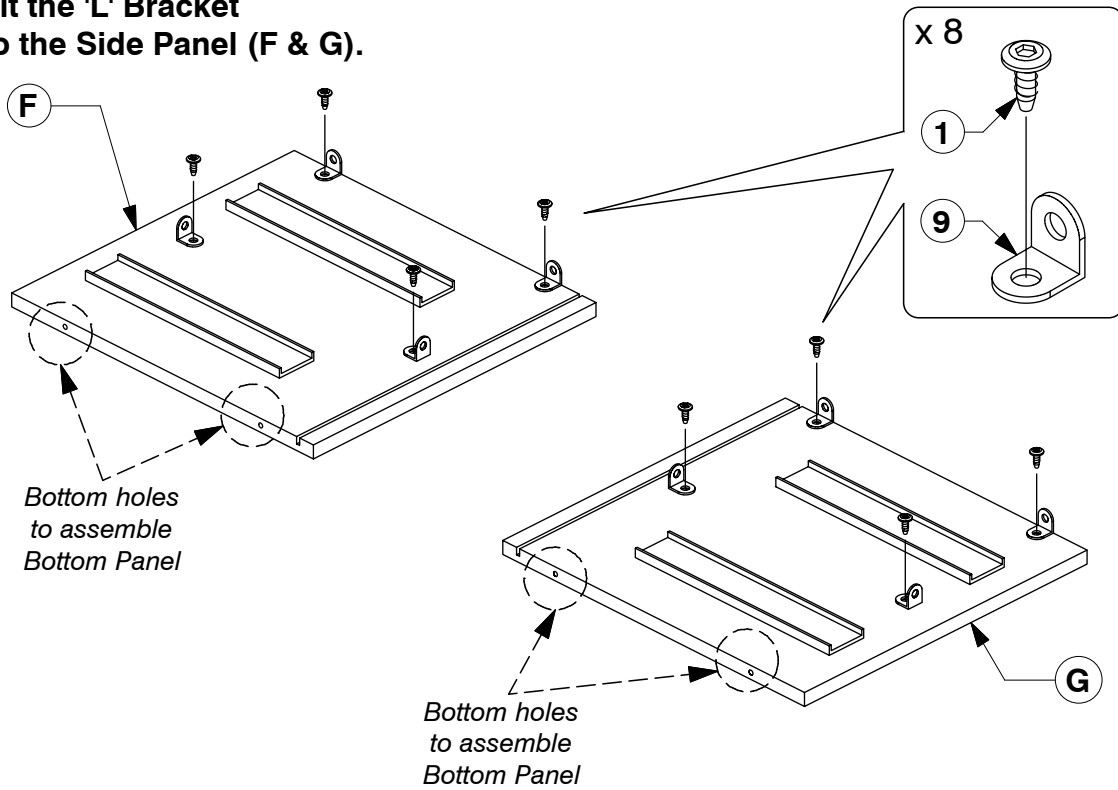


9001 2 Drawer Nightstand

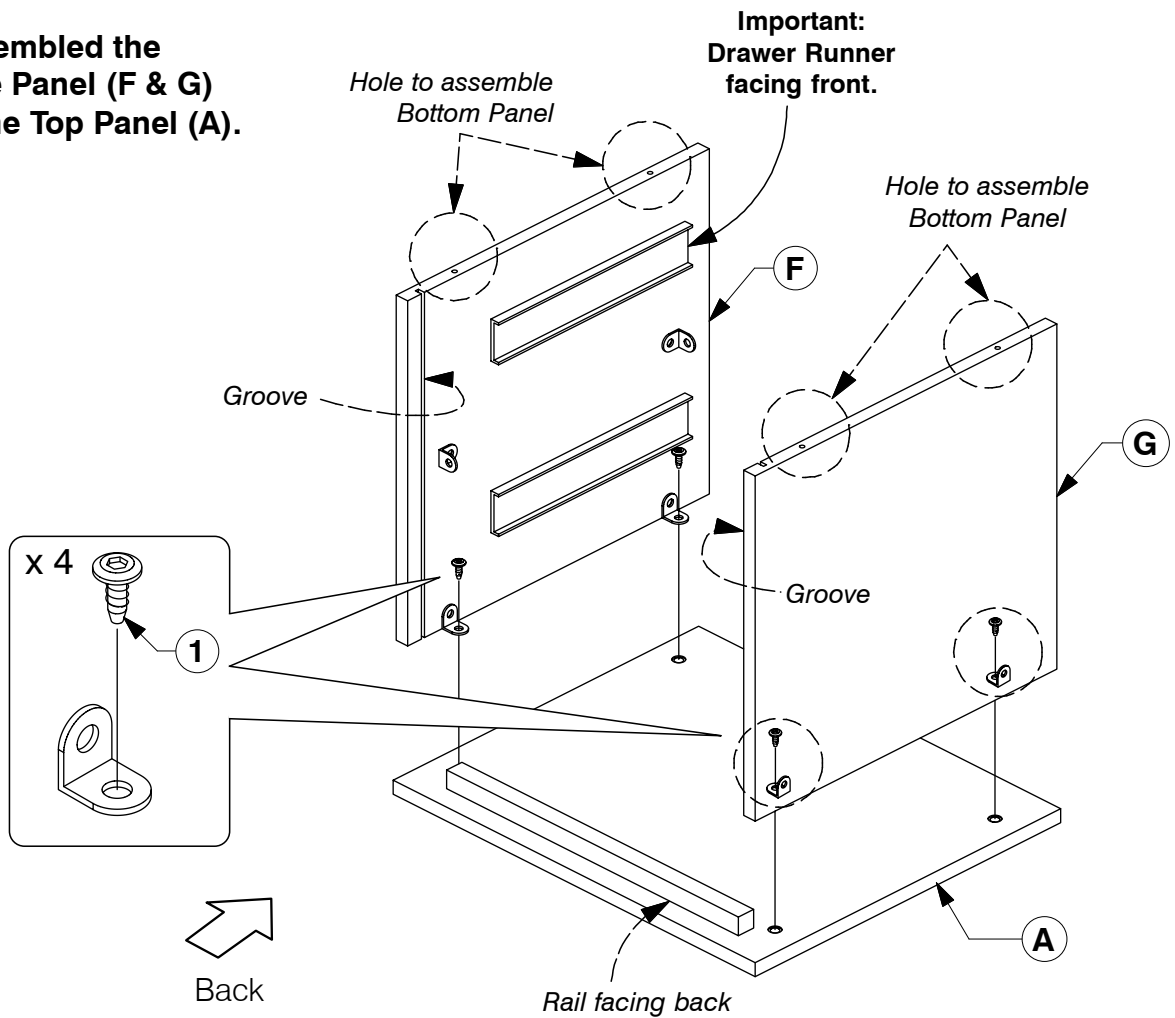
Assembly Instructions

WI-1220

6 Fit the 'L' Bracket to the Side Panel (F & G).



7 Assembled the Side Panel (F & G) to the Top Panel (A).

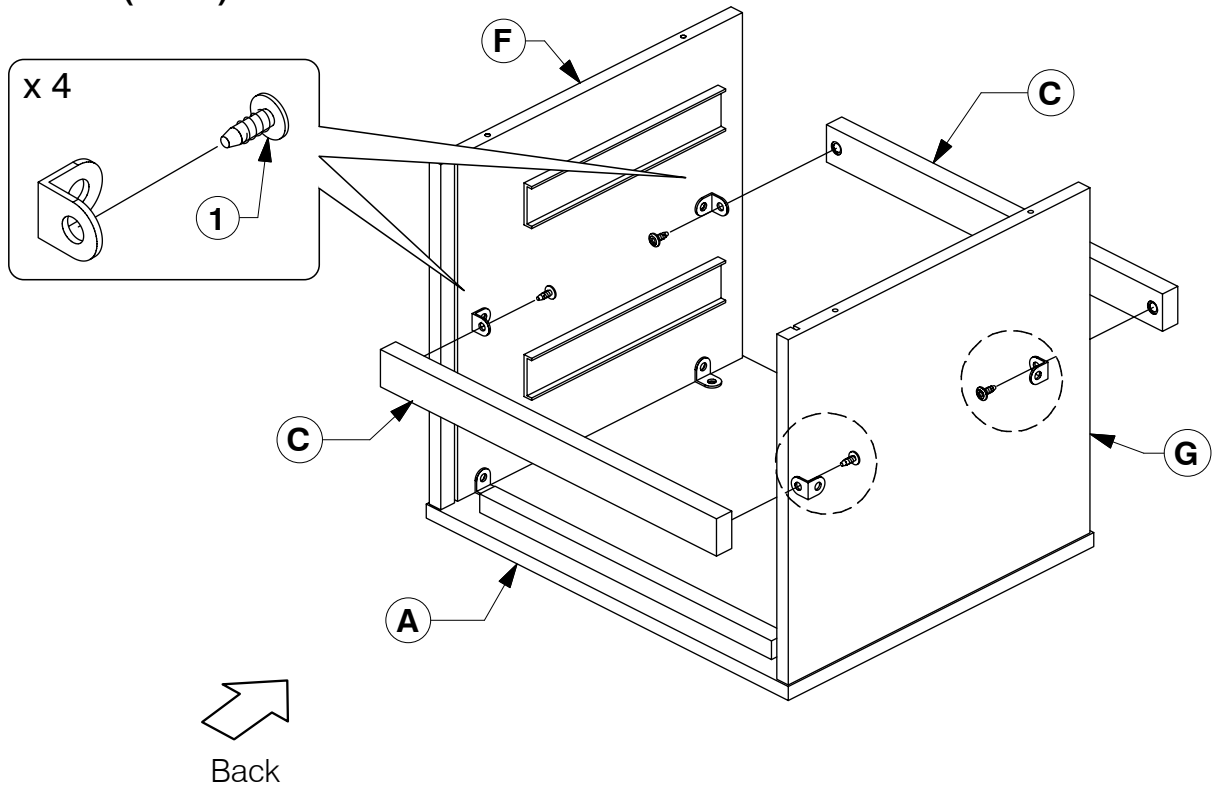


9001 2 Drawer Nightstand

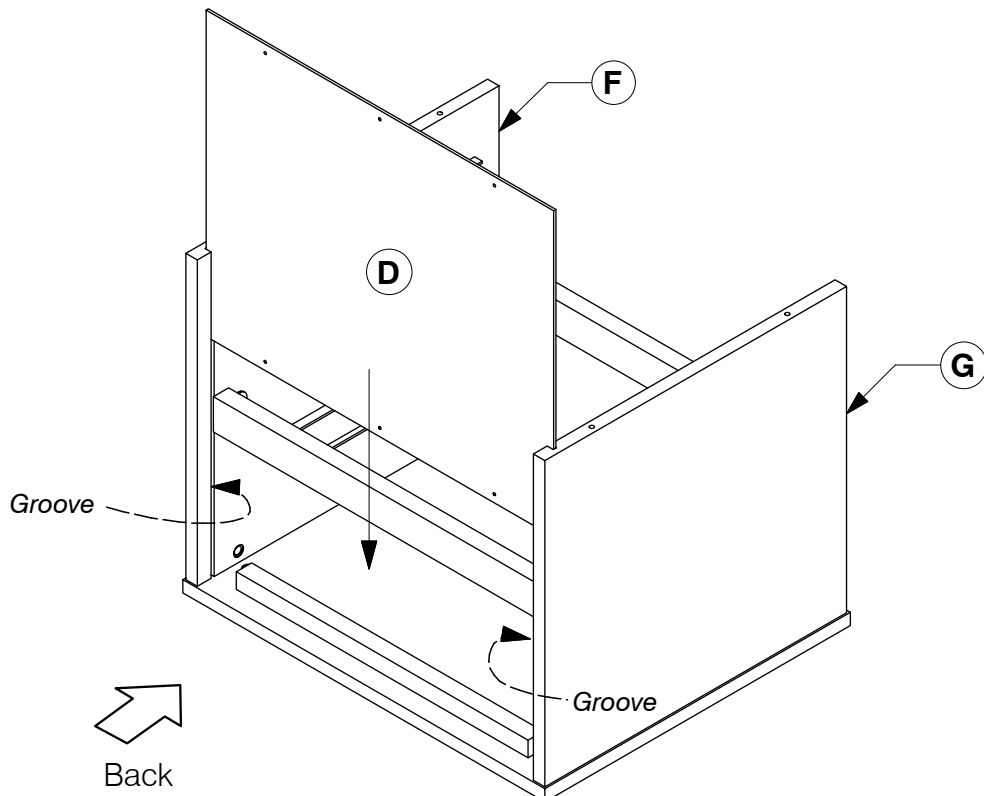
Assembly Instructions

WI-1220

- 8** Fit the Support Bar (C) to the Side Panel (F & G).



- 9** Slide the Back Panel (D) into the groove on the back of the Side Panel (F & G).

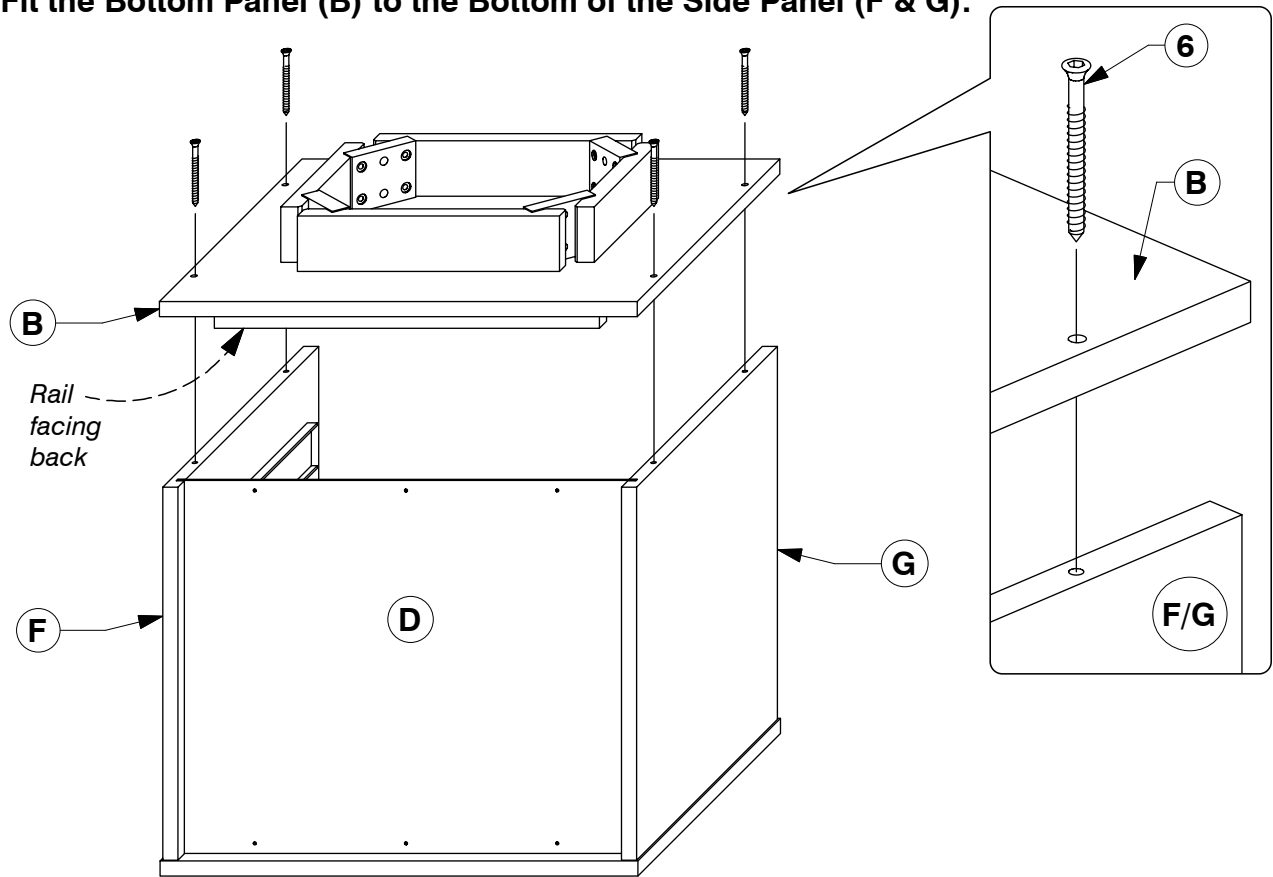


9001 2 Drawer Nightstand

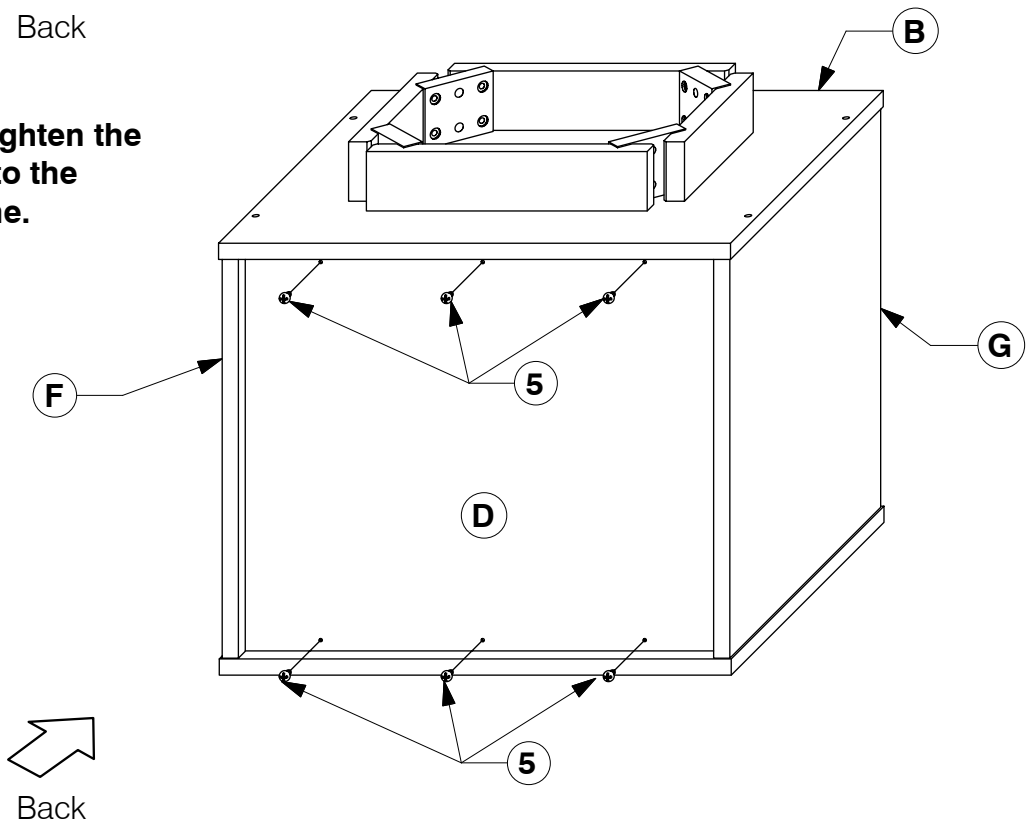
Assembly Instructions

WI-1220

- 10** Fit the Bottom Panel (B) to the Bottom of the Side Panel (F & G).



- 11** Use screws to tighten the Back Panel (D) to the back of the frame.

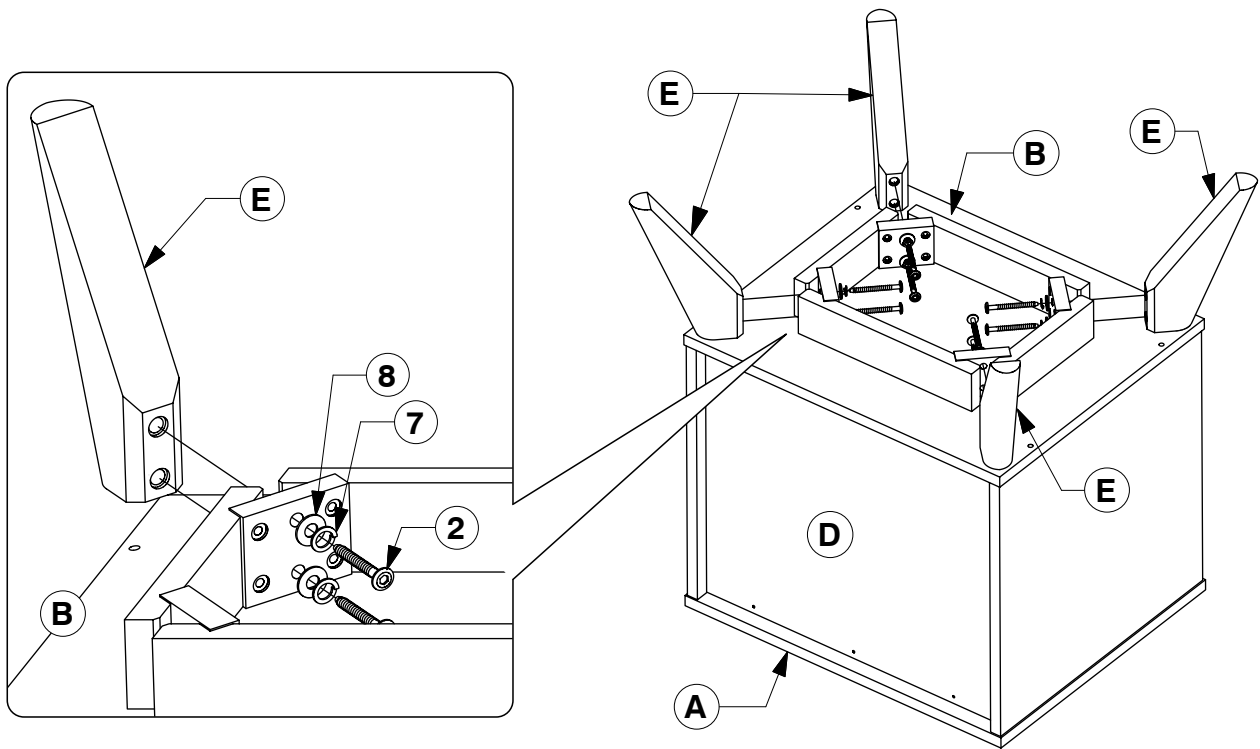


9001 2 Drawer Nightstand

Assembly Instructions

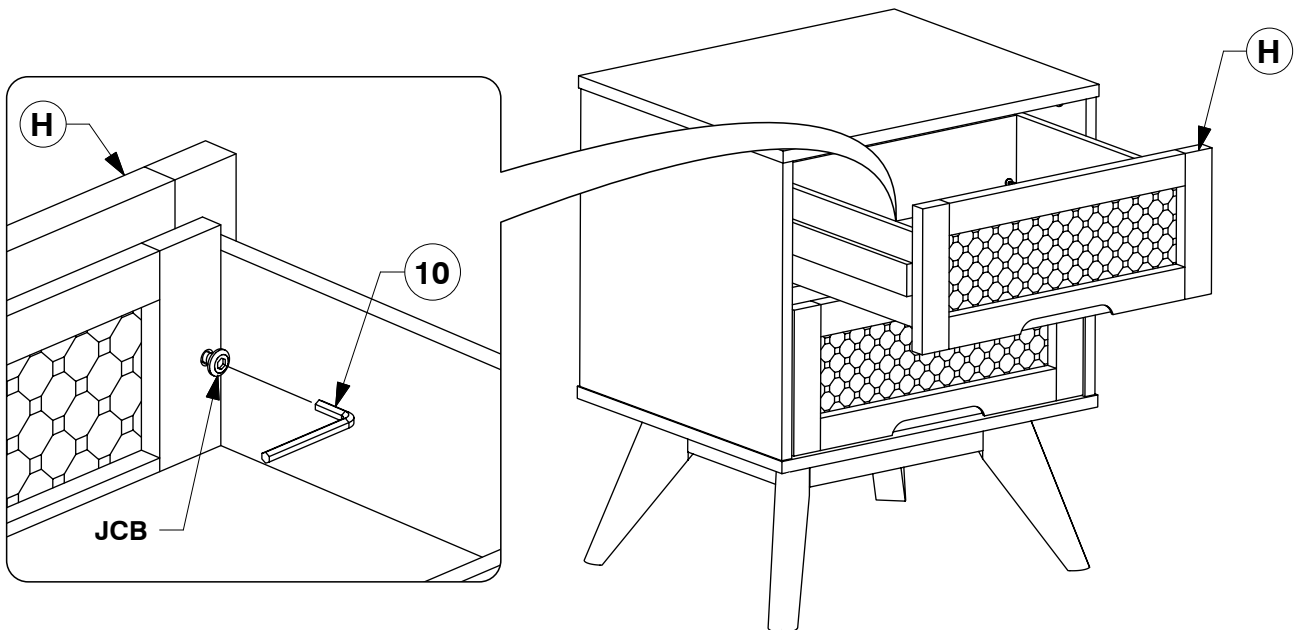
WI-1220

12 Fit the Post (E) to the Bottom Panel (B).



13 Fit and adjust the Drawer Face (H).

* NOTE: Before fitting the Wood Screws.
Loosen the JCBs on the Drawer Face if
the face needs alignment.



9001 2 Drawer Nightstand

Assembly Instructions

WI-1220

- 14** After the Drawer Faces (H) are aligned, secure with wood screws.

