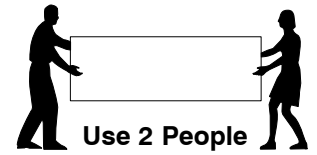
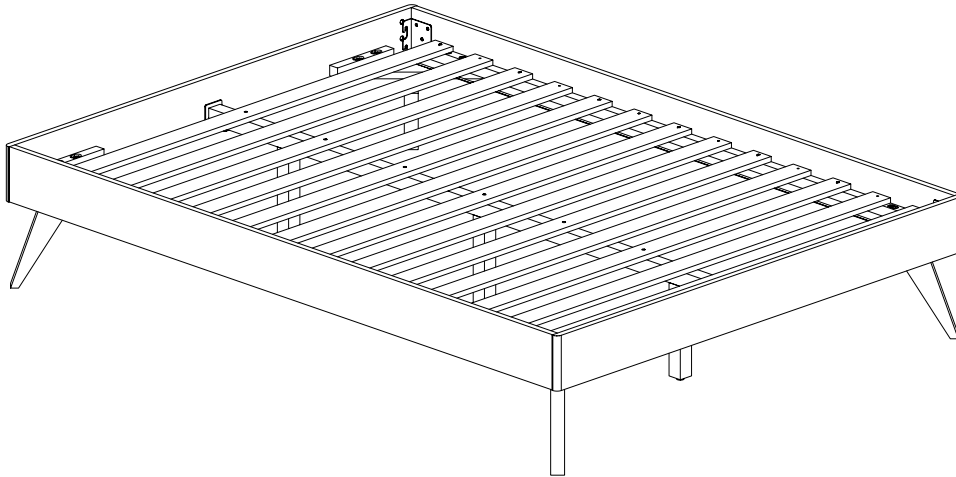


Full Bed

Assembly Instructions

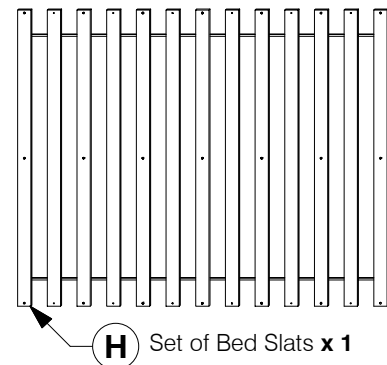
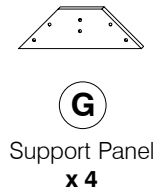
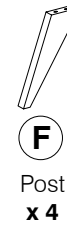
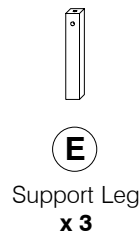
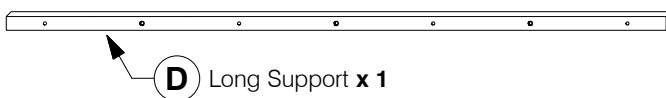
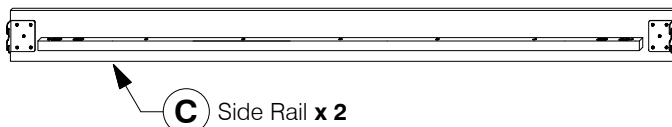
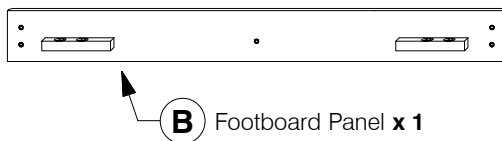
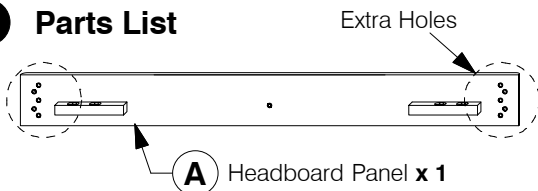
0818

1 Assembled View

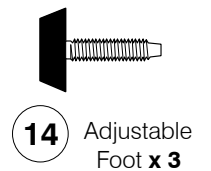
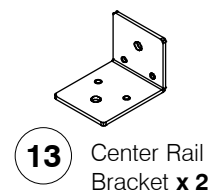
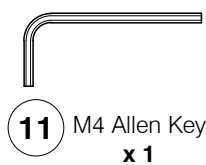
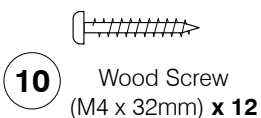
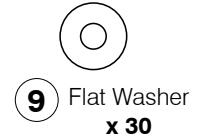
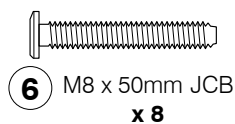
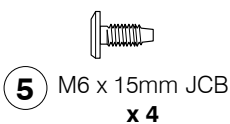
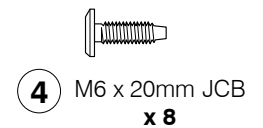
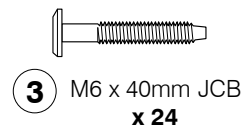
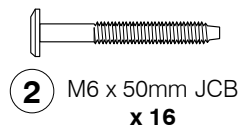
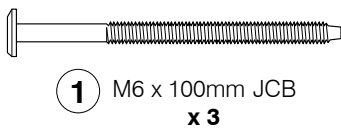


Note: Do not assemble using power tools. This can cause the bolts to be overtightened

2 Parts List



3 Hardware List

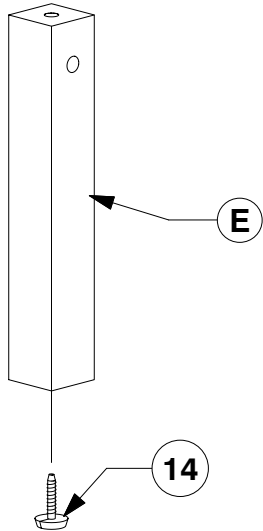


Full Bed

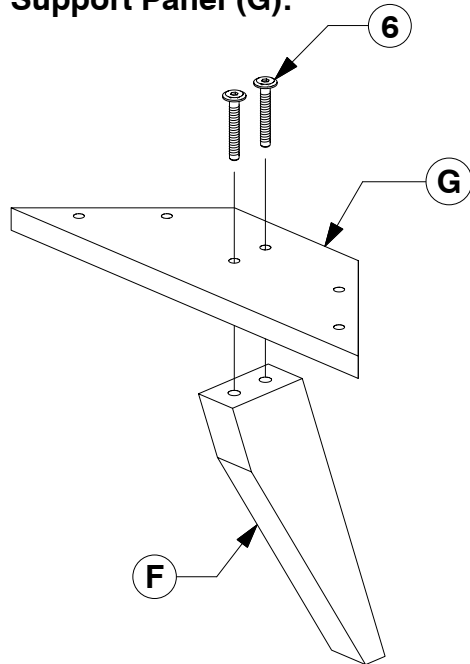
Assembly Instructions

0818

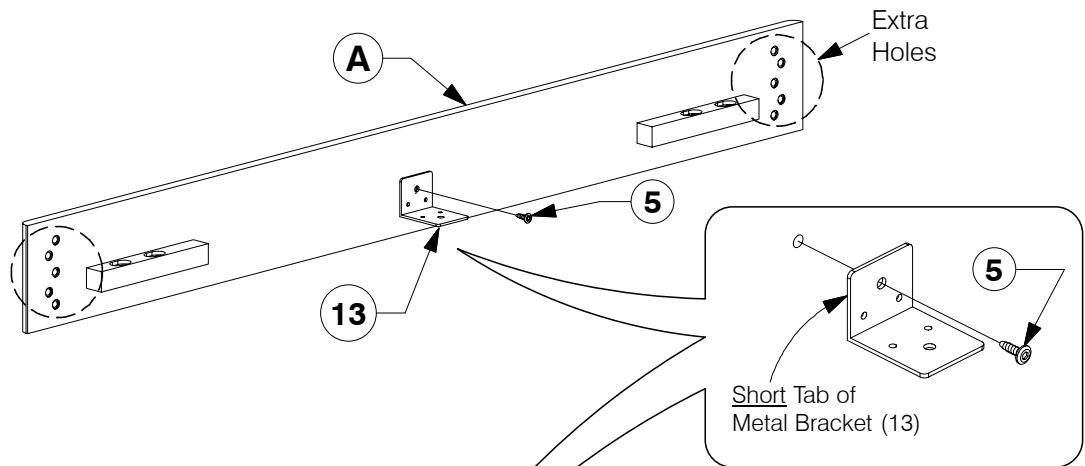
- 4** Fix the Adjustable foot to the bottom of the Support Leg (E).



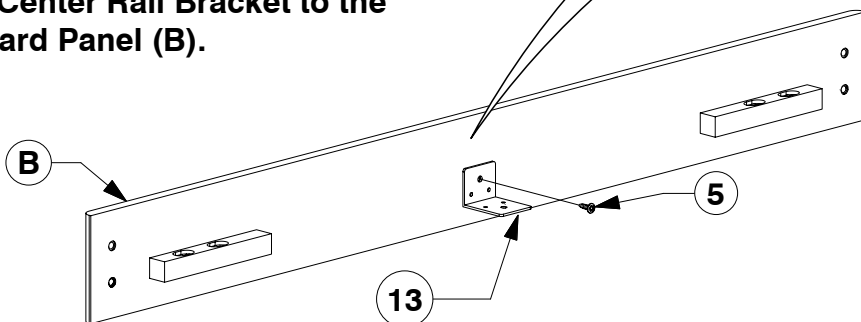
- 5** Fit the Post (F) to the Support Panel (G).



- 6** Fit the Center Rail Bracket to the Headboard Panel (A).



- 7** Fit the Center Rail Bracket to the Footboard Panel (B).

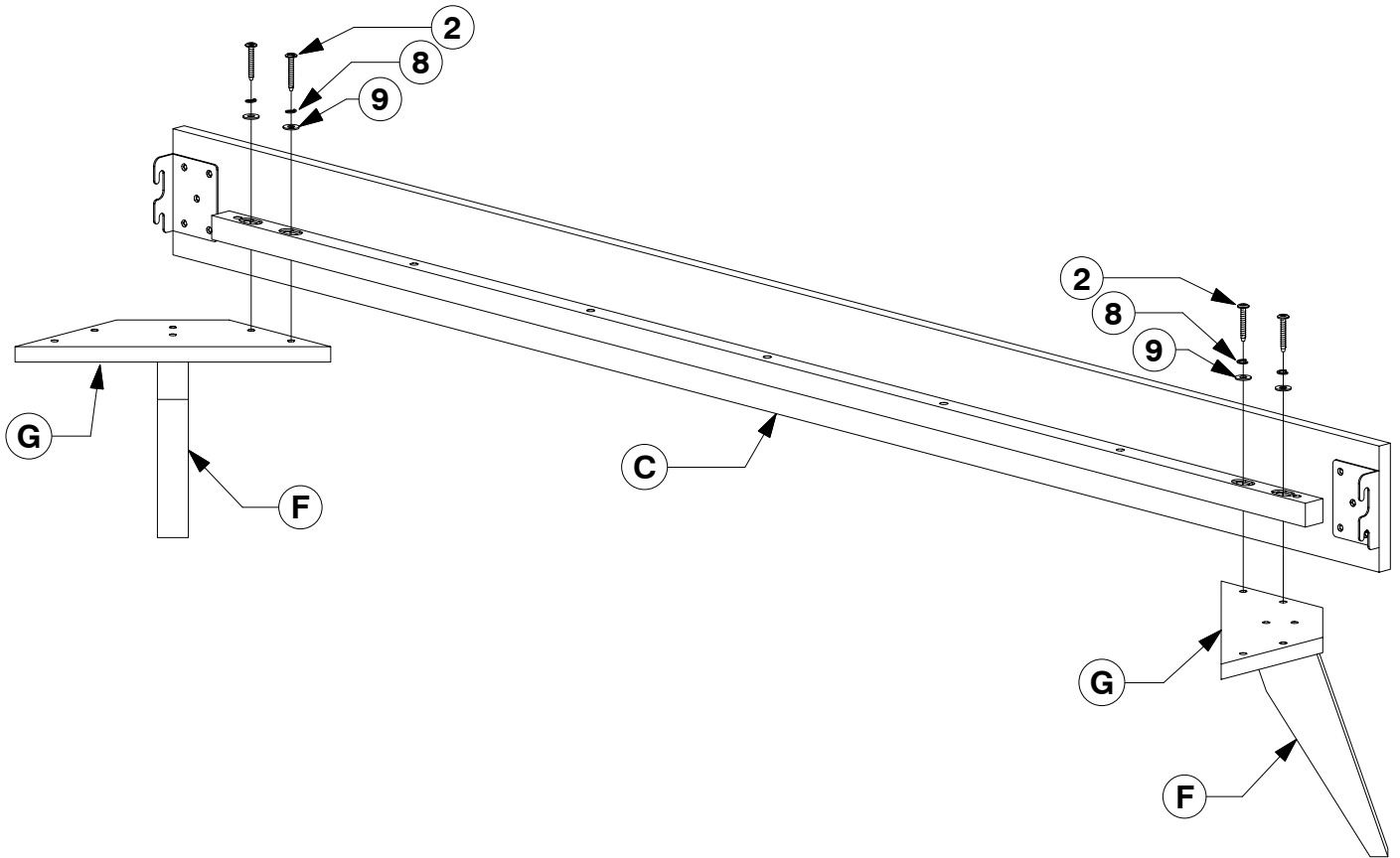


Full Bed

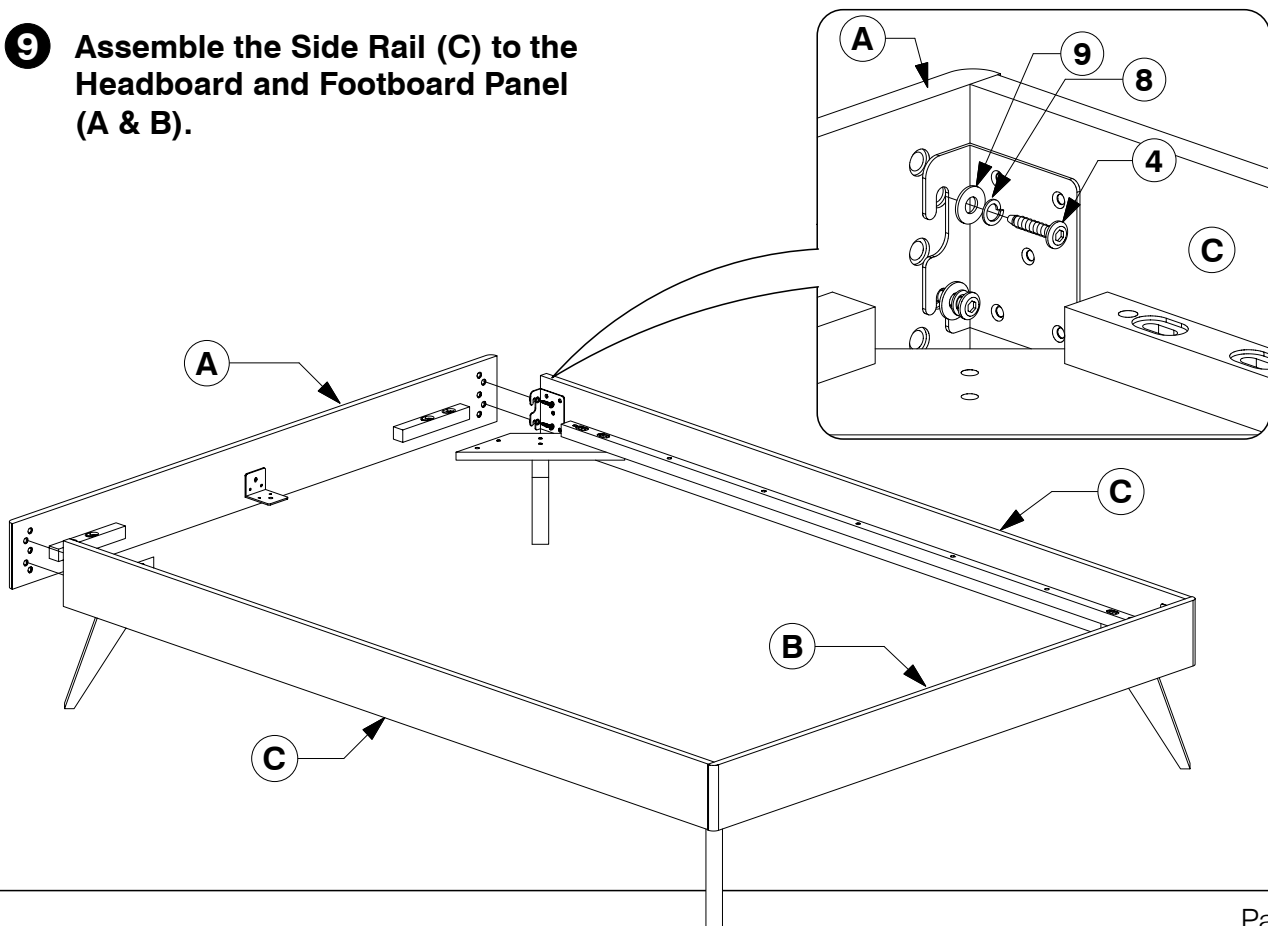
Assembly Instructions

0818

8 Bolt the assembled Support Panel (G) to the Side Rail (C).



9 Assemble the Side Rail (C) to the Headboard and Footboard Panel (A & B).

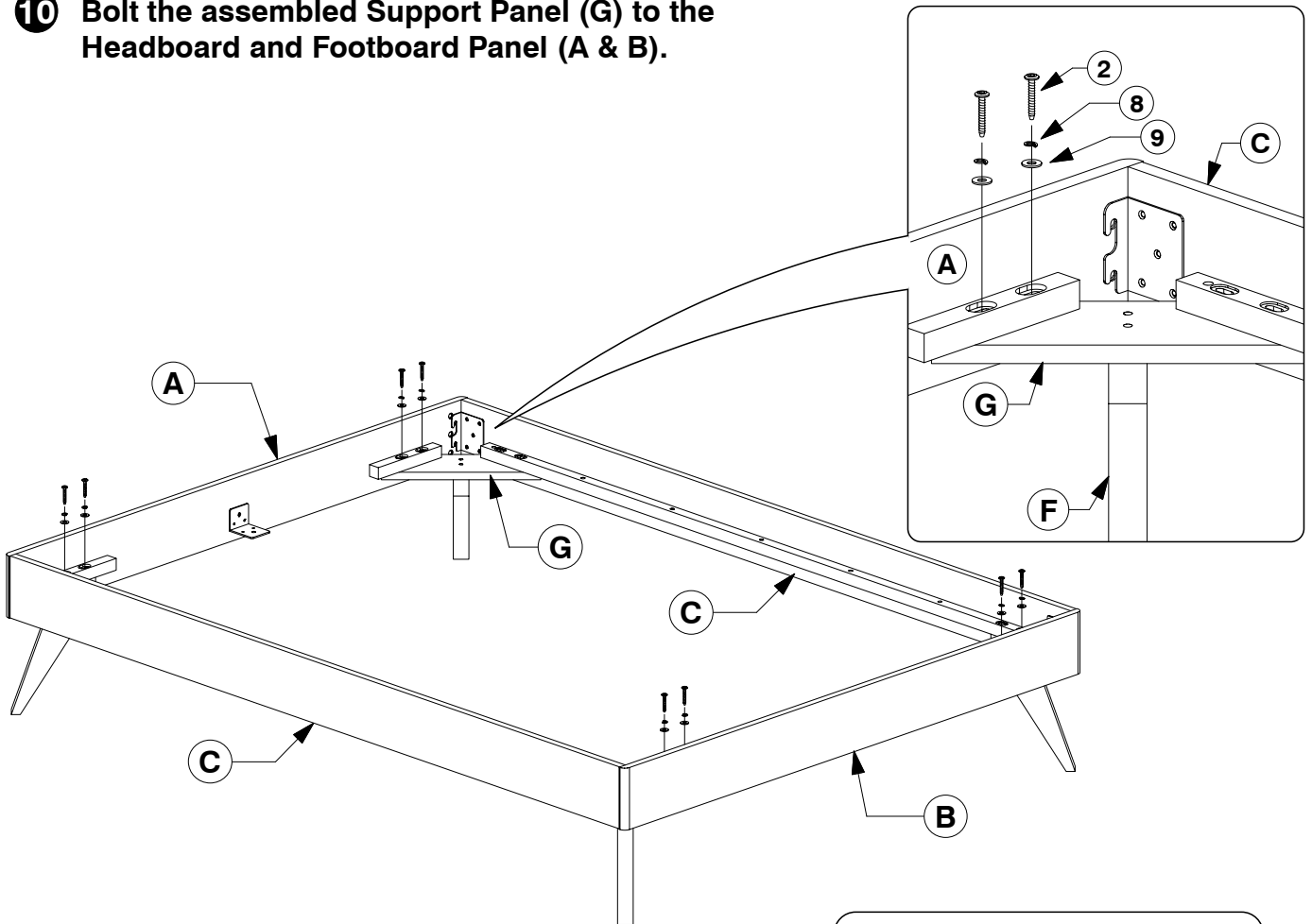


Full Bed

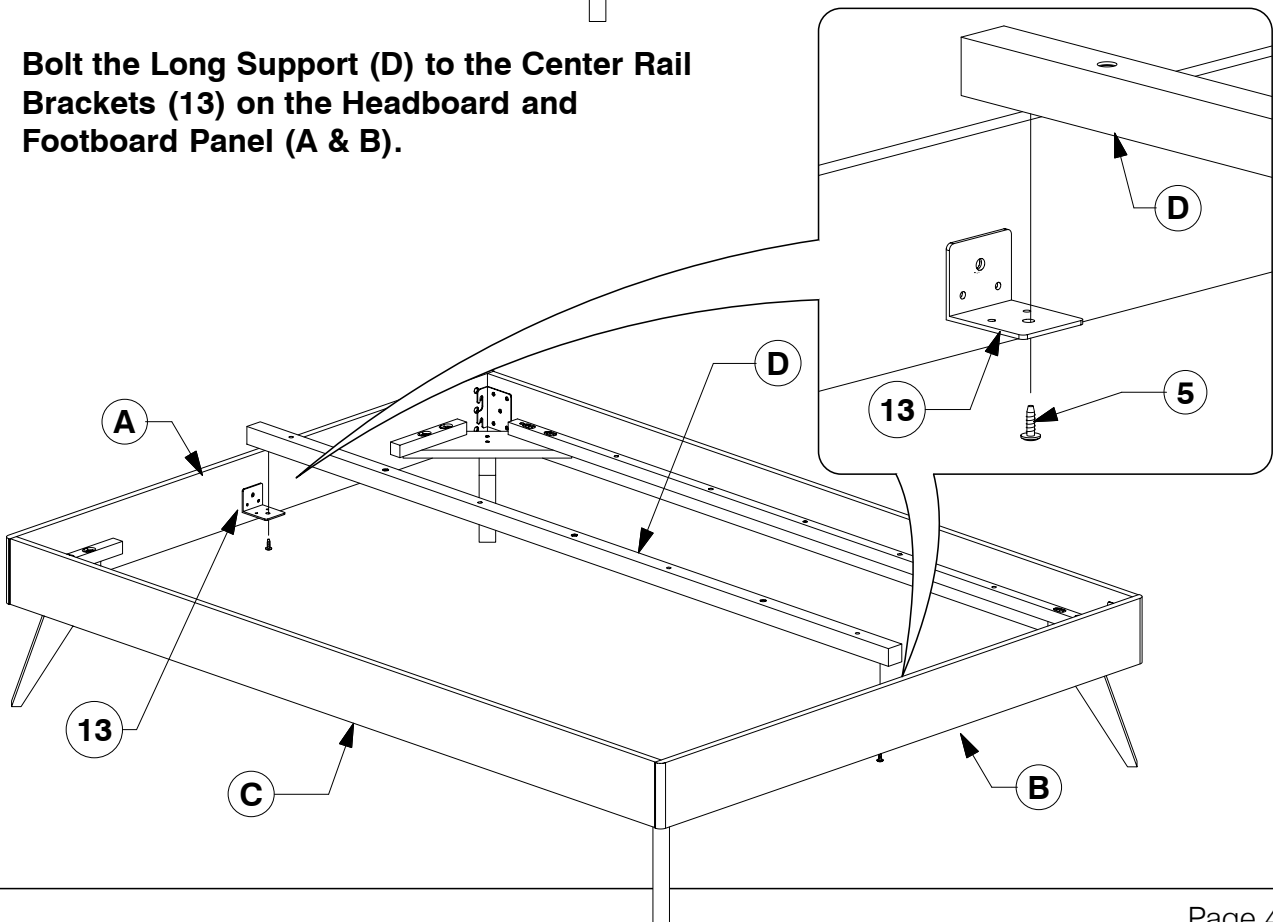
Assembly Instructions

0818

- 10** Bolt the assembled Support Panel (G) to the Headboard and Footboard Panel (A & B).



- 11** Bolt the Long Support (D) to the Center Rail Brackets (13) on the Headboard and Footboard Panel (A & B).

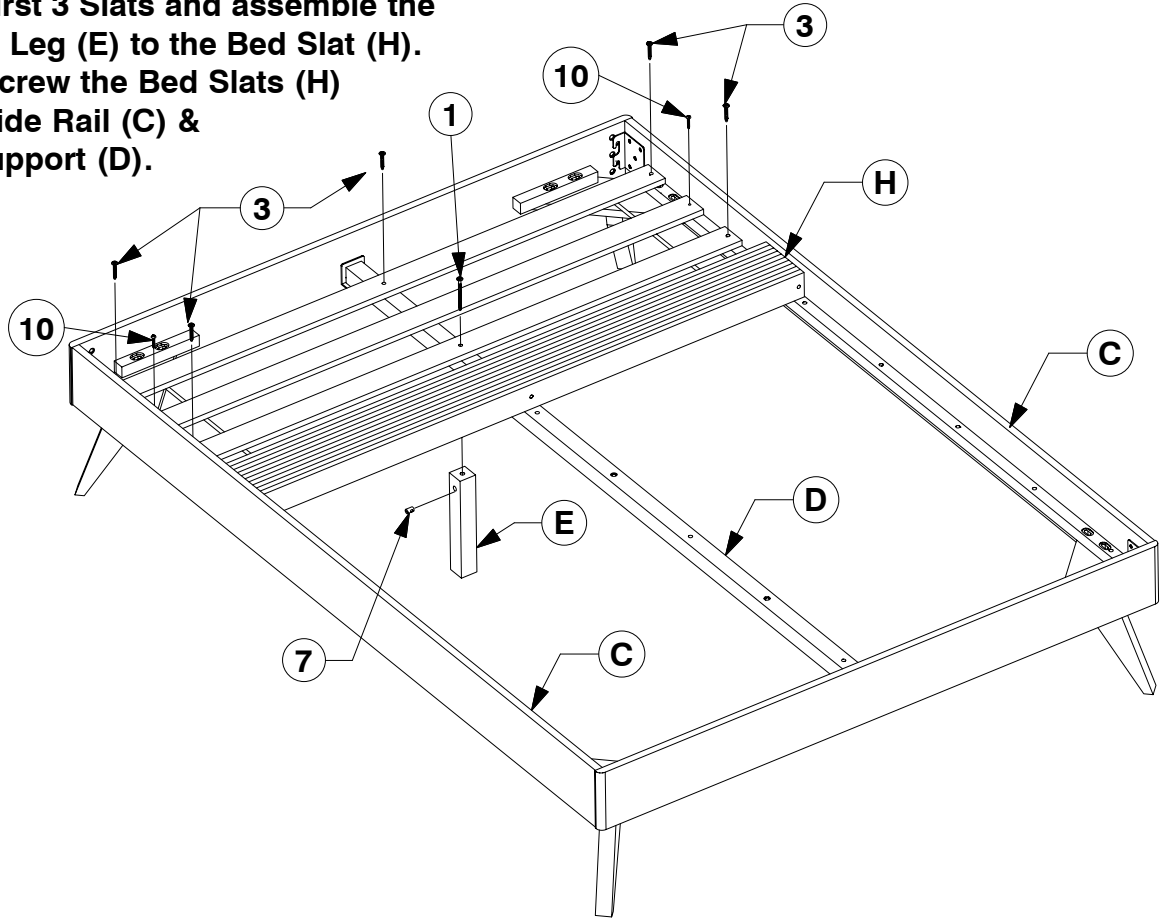


Full Bed

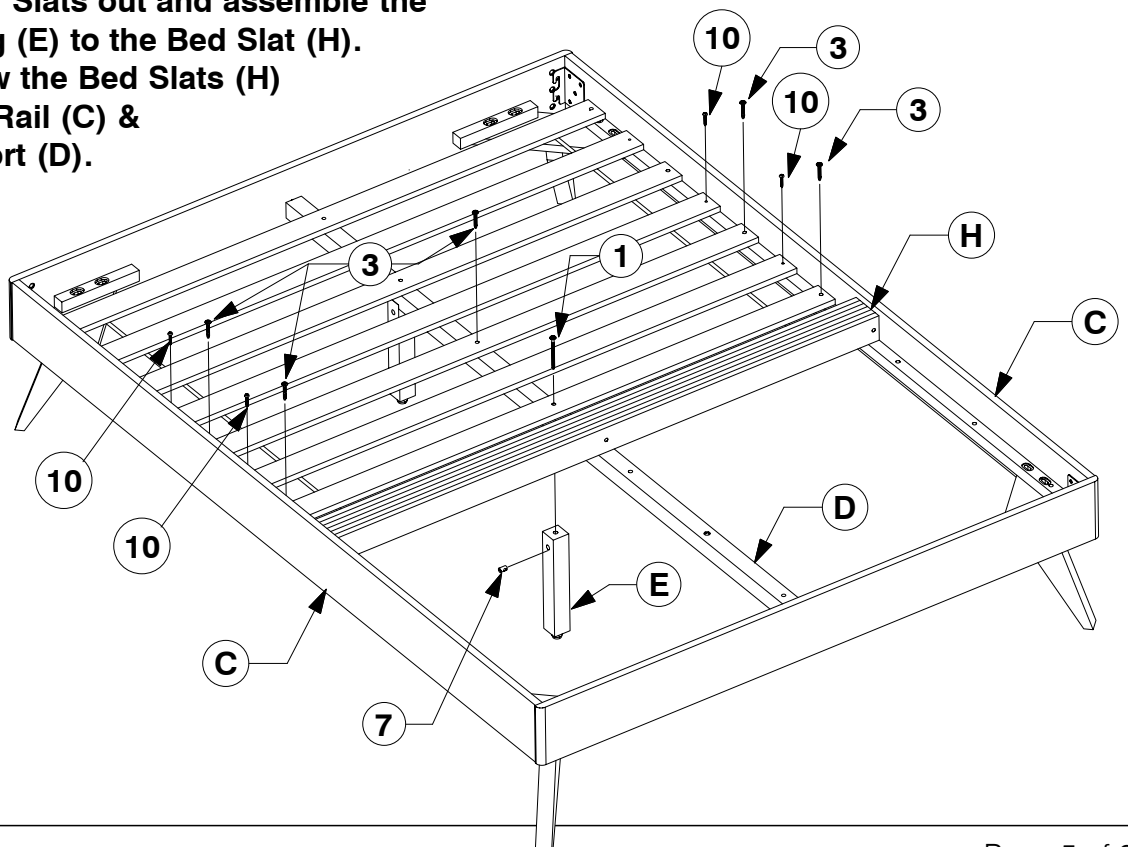
Assembly Instructions

0818

- 12** Fit the first 3 Slats and assemble the Support Leg (E) to the Bed Slat (H). Bolt & screw the Bed Slats (H) to the Side Rail (C) & Long Support (D).



- 13** Fit the other Slats out and assemble the Support Leg (E) to the Bed Slat (H). Bolt & screw the Bed Slats (H) to the Side Rail (C) & Long Support (D).

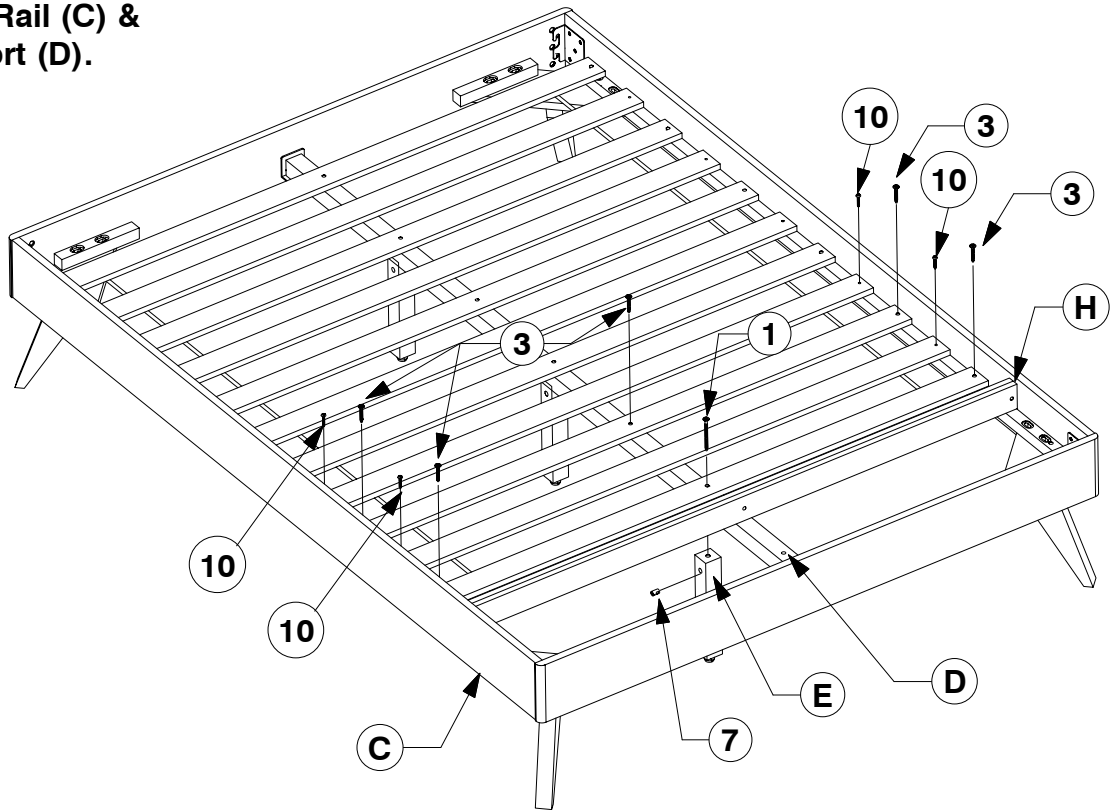


Full Bed

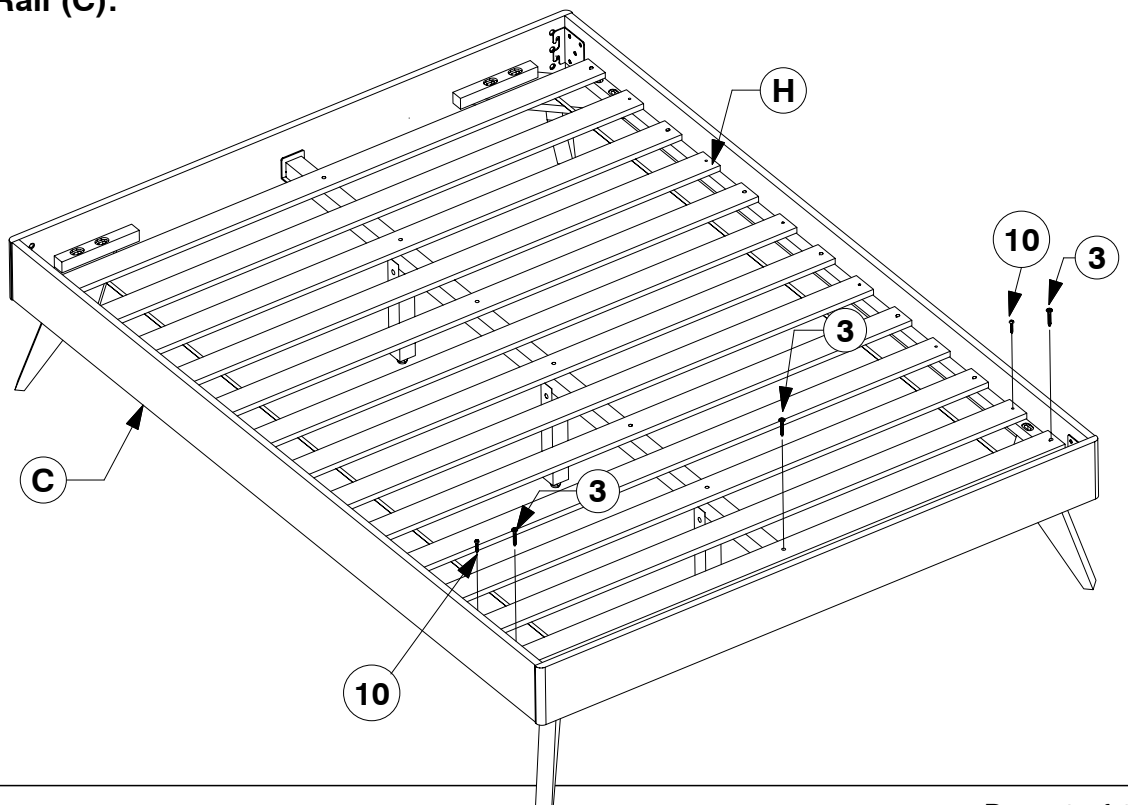
Assembly Instructions

0818

- 14** Fit the other Slats out and assemble the Support Leg (E) to the Bed Slat (H). Bolt & screw the Bed Slats (H) to the Side Rail (C) & Long Support (D).



- 15** Bolt & screw the remaining Bed Slats (H) to the Side Rail (C).

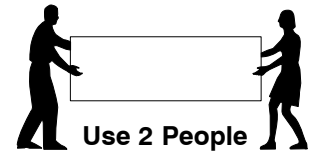
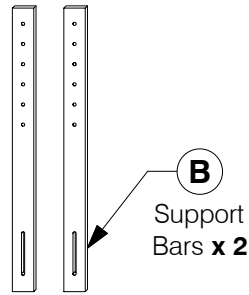
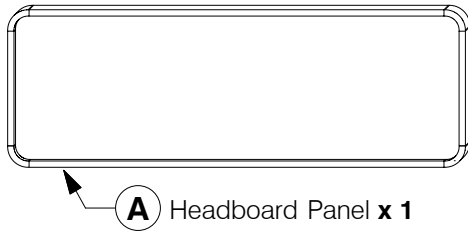


Full Headboard

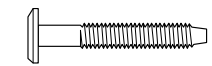
Assembly Instructions

0818

1 Parts List



2 Hardware List



1 M6 x 35mm JCB
x 4



2 Spring Washer
x 4



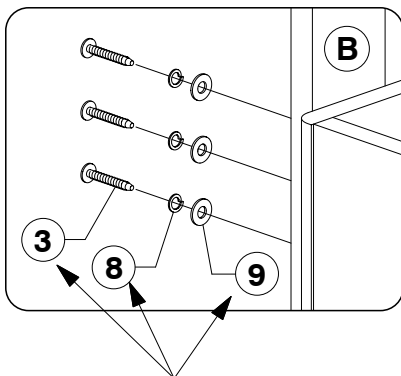
3 Flat Washer
x 4



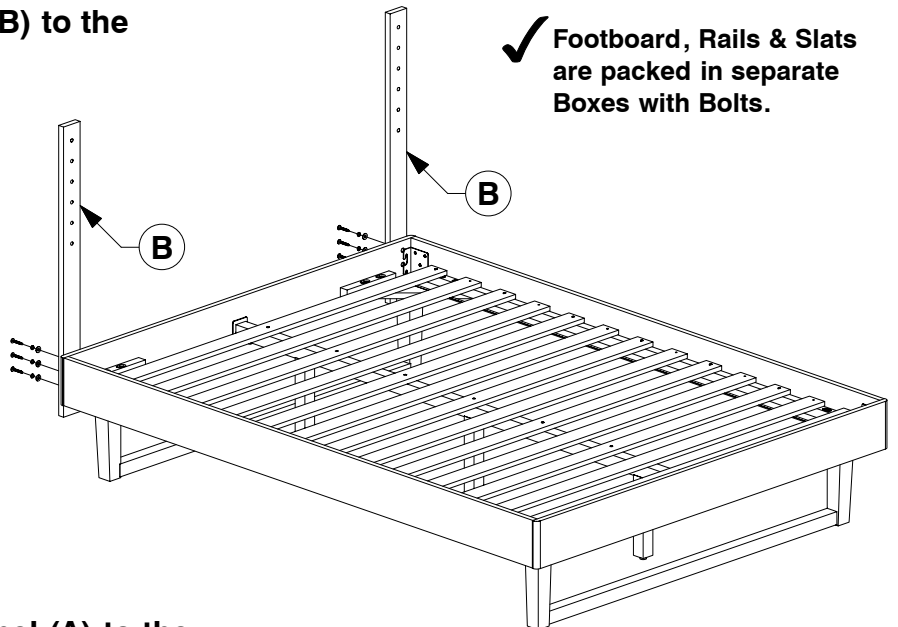
4 Allen Key
x 1

Note: Do not assemble using power tools. This can cause the bolts to be overtightened

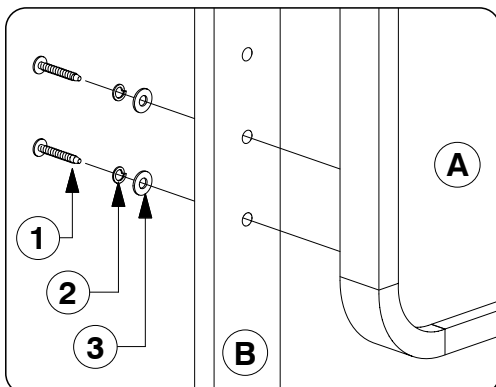
3 Assemble the Support Bars (B) to the Headboard Panel.



Note: Bolts & Washers from Footboard, Rails & Slats Box.



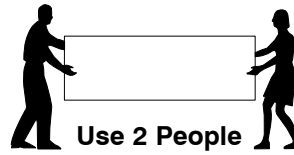
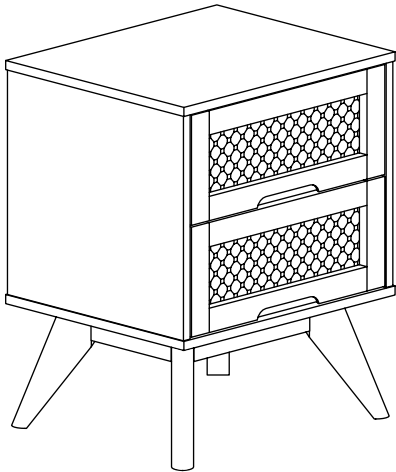
4 Assemble the Headboard Panel (A) to the Support Bars (B).



9001 2 Drawer Nightstand

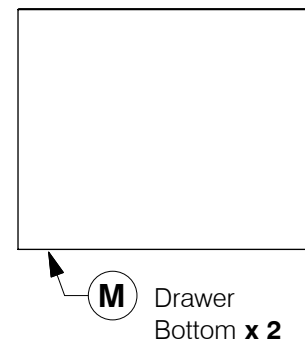
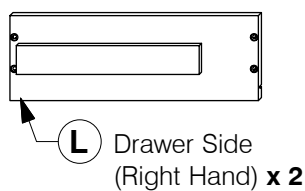
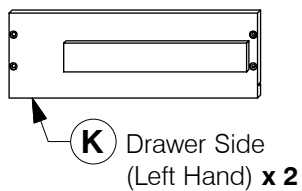
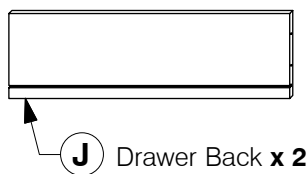
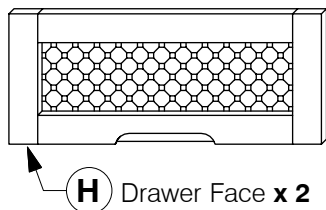
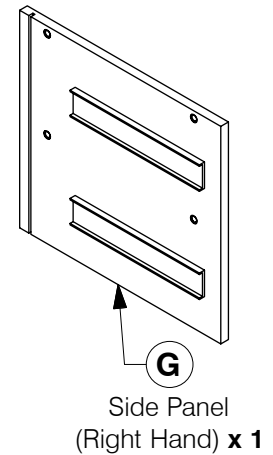
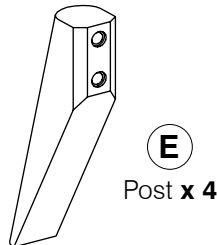
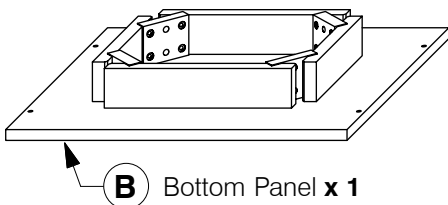
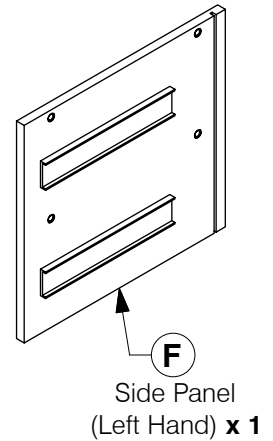
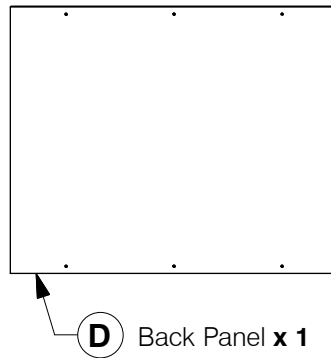
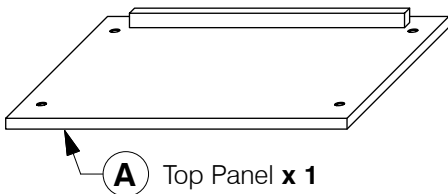
Assembly Instructions

WI-1220



Note: Do not assemble using power tools. This can cause the bolts to be overtightened

1 Parts List

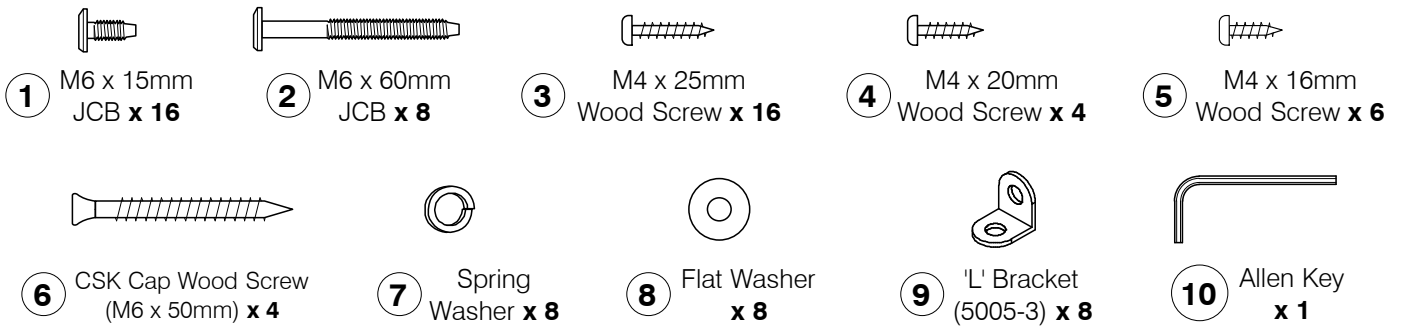


9001 2 Drawer Nightstand

Assembly Instructions

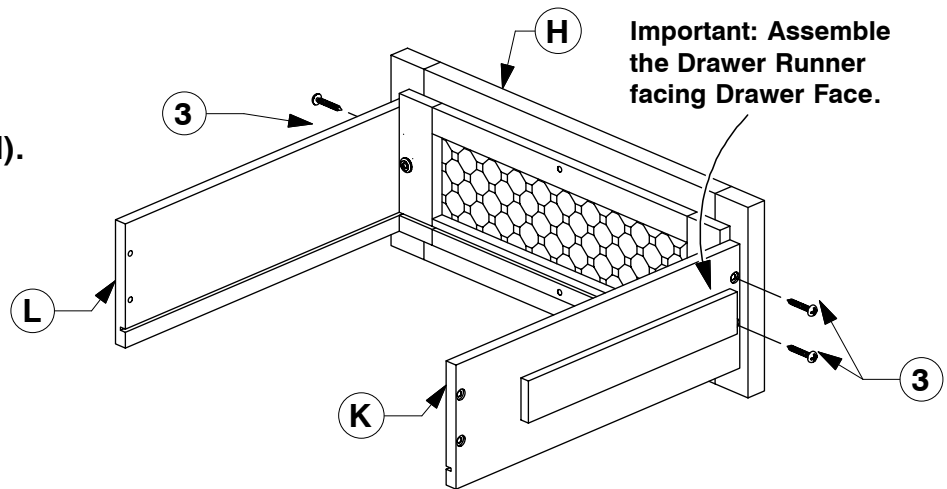
WI-1220

2 Hardware List

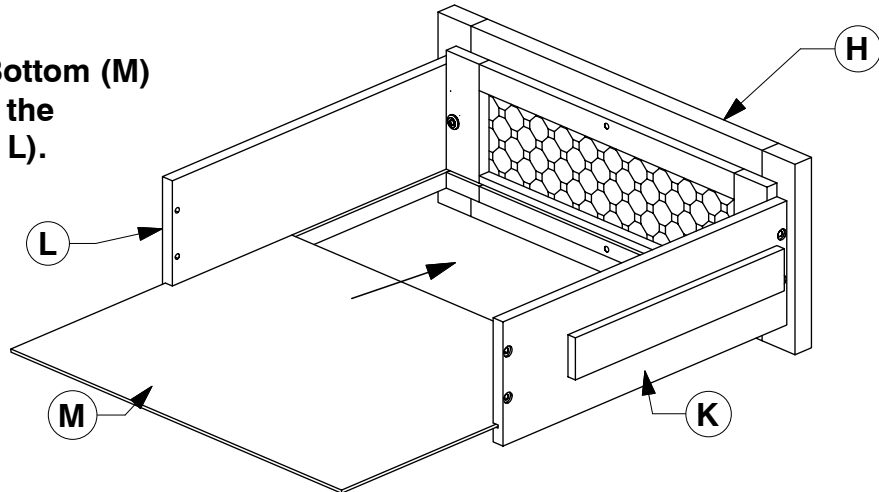


3 Assemble the Drawer Sides (K & L) to the Drawer Face (H).

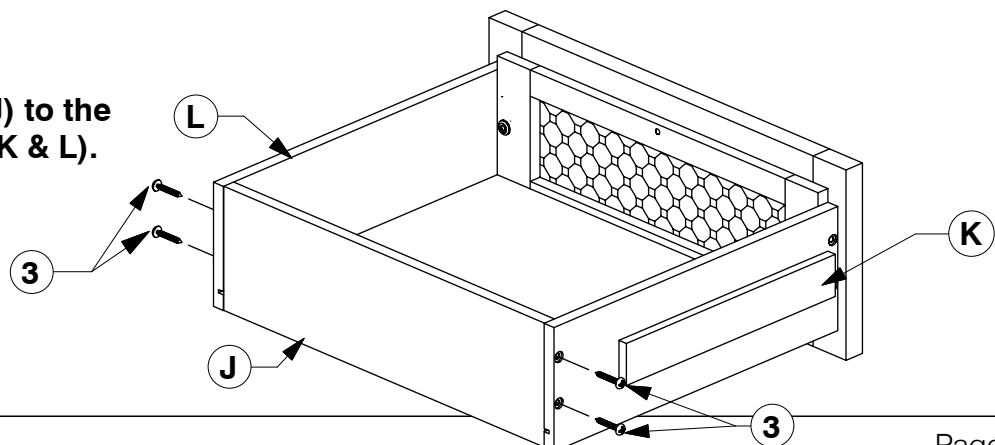
x2



4 Slide the Drawer Bottom (M) into the groove on the Drawer Sides (K & L).



5 Assemble the Drawer Back (J) to the Drawer Sides (K & L).

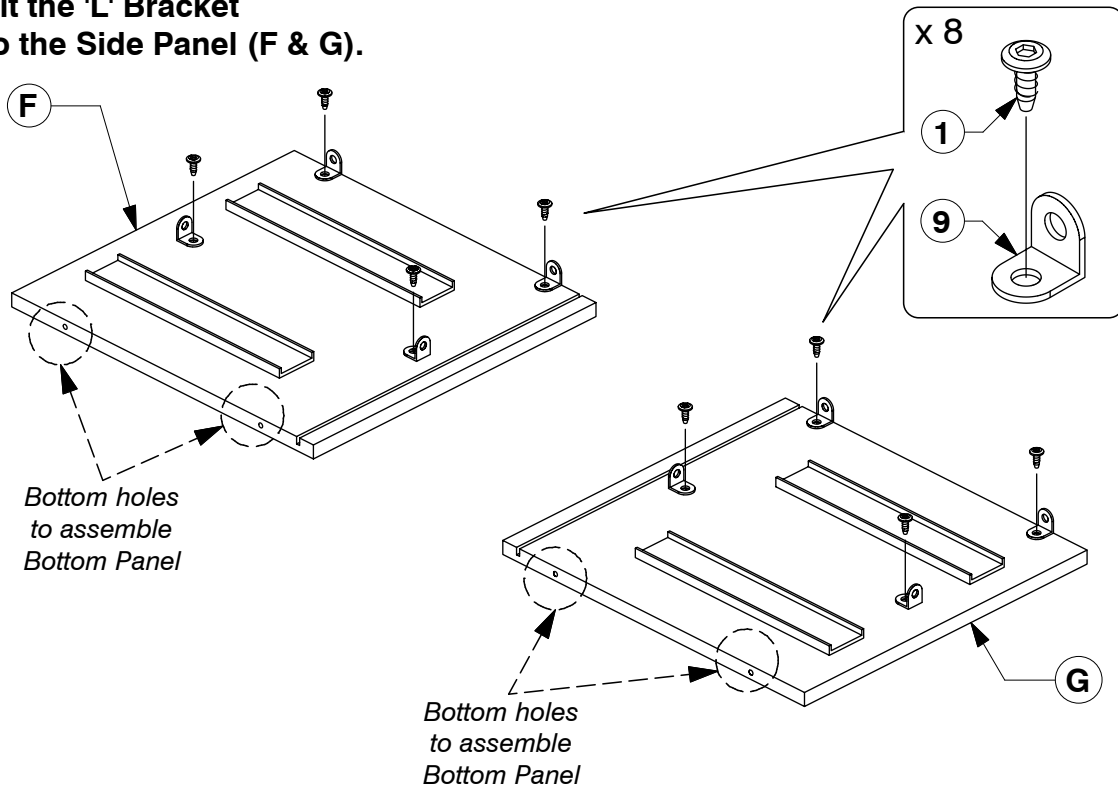


9001 2 Drawer Nightstand

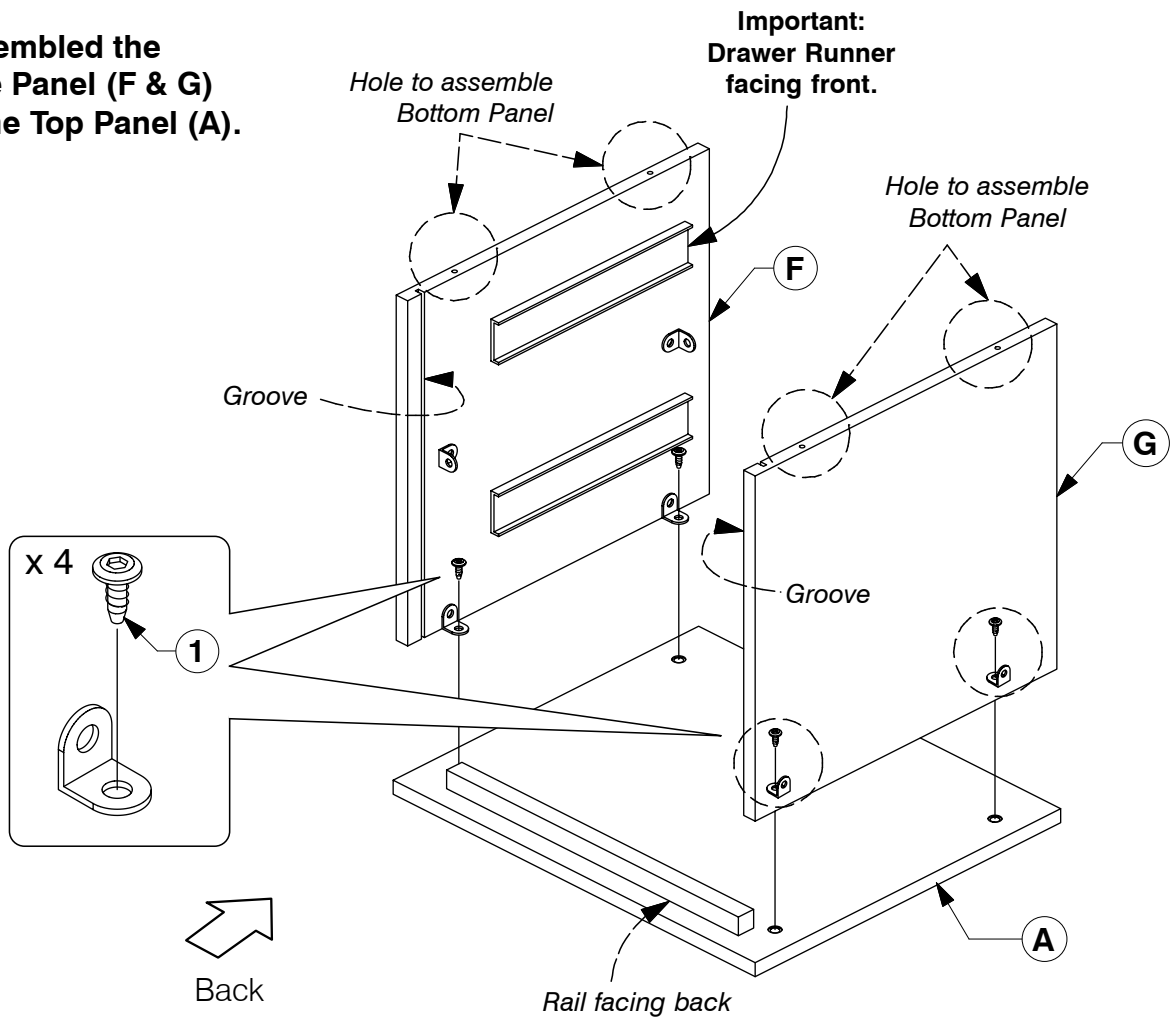
Assembly Instructions

WI-1220

6 Fit the 'L' Bracket to the Side Panel (F & G).



7 Assembled the Side Panel (F & G) to the Top Panel (A).

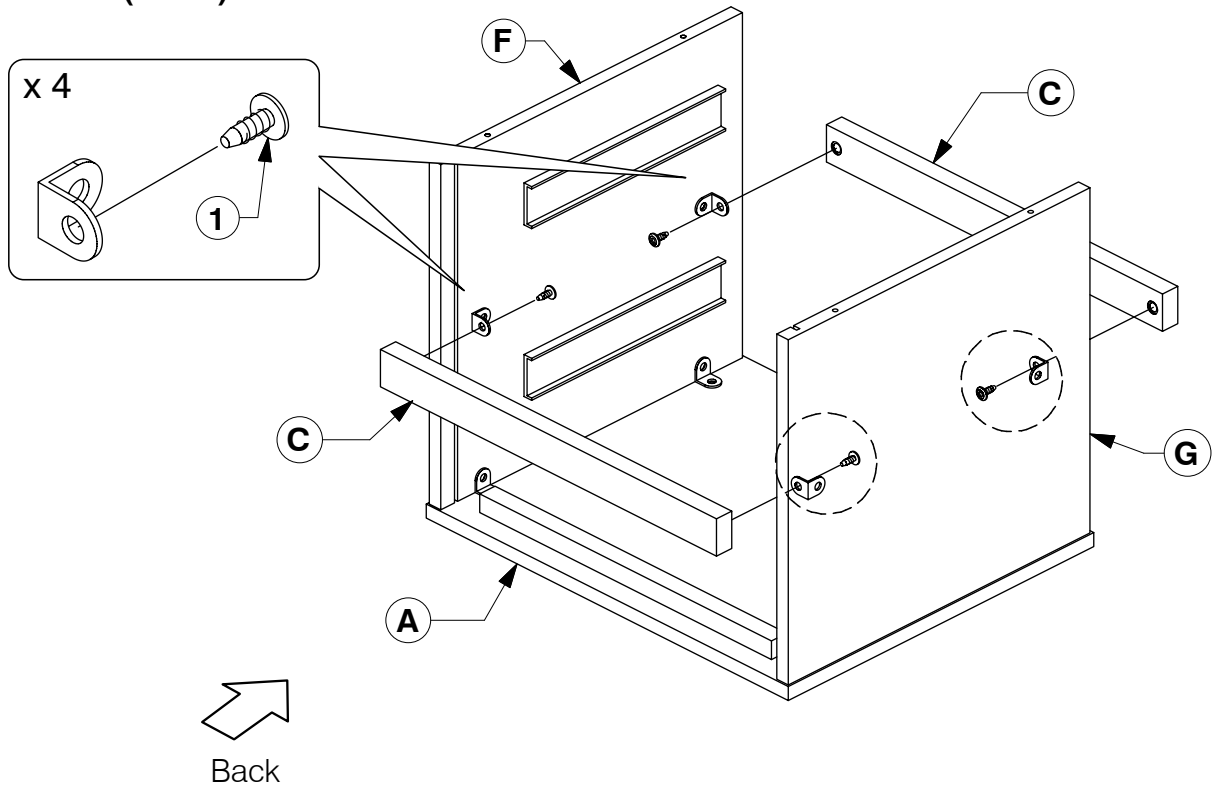


9001 2 Drawer Nightstand

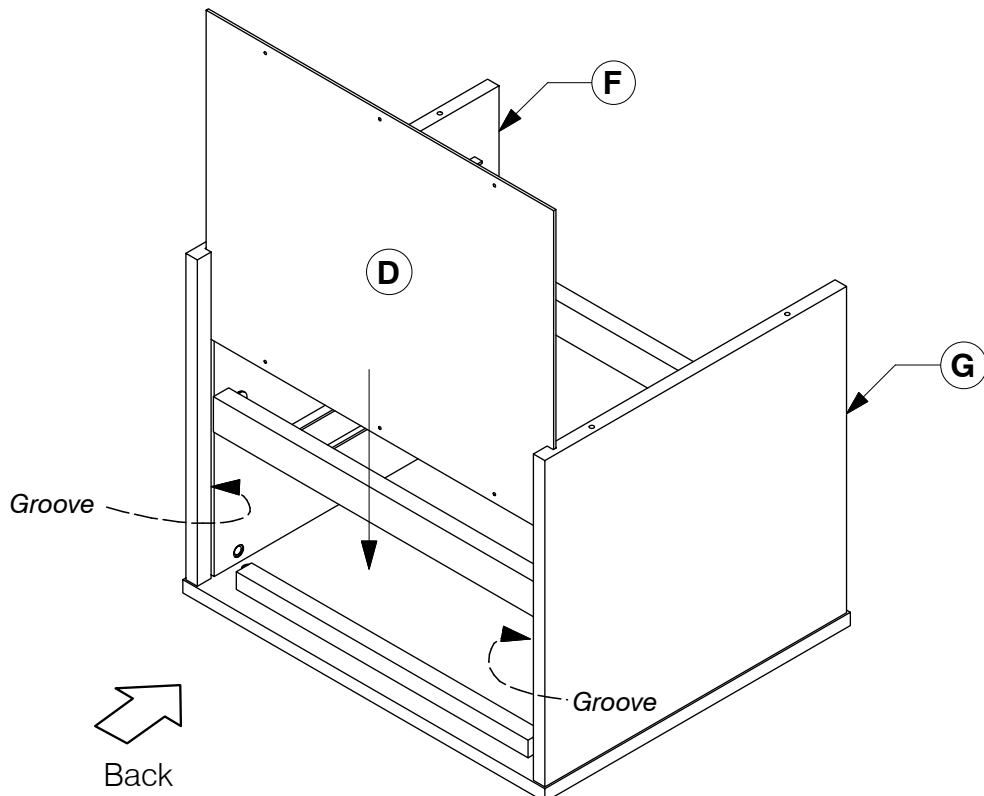
Assembly Instructions

WI-1220

- 8** Fit the Support Bar (C) to the Side Panel (F & G).



- 9** Slide the Back Panel (D) into the groove on the back of the Side Panel (F & G).

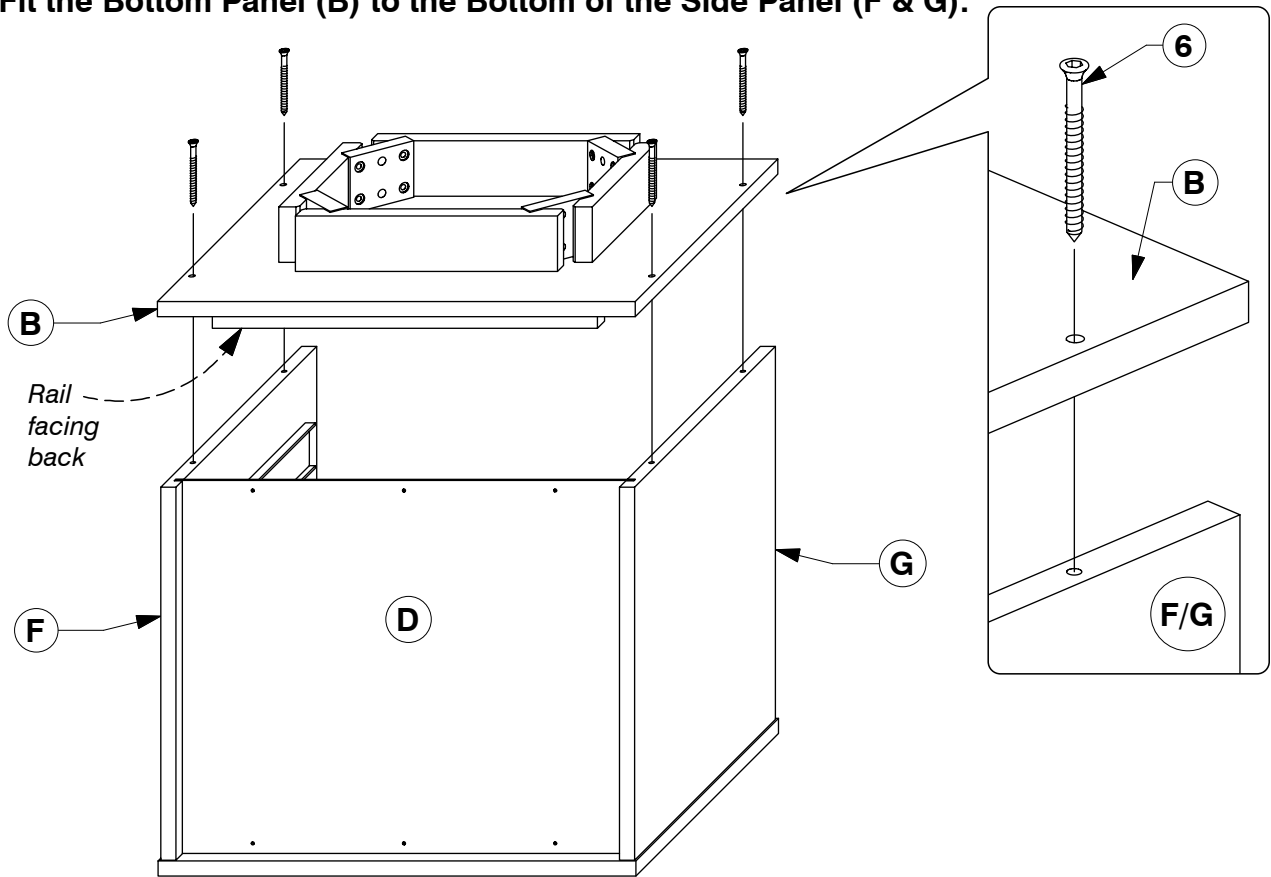


9001 2 Drawer Nightstand

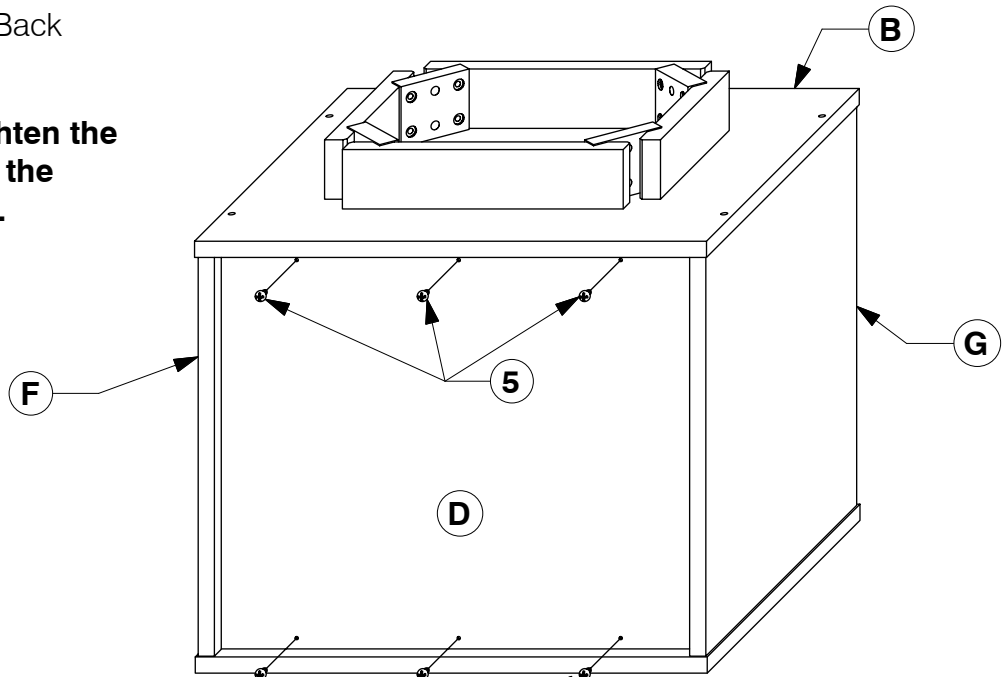
Assembly Instructions

WI-1220

- 10** Fit the Bottom Panel (B) to the Bottom of the Side Panel (F & G).



- 11** Use screws to tighten the Back Panel (D) to the back of the frame.

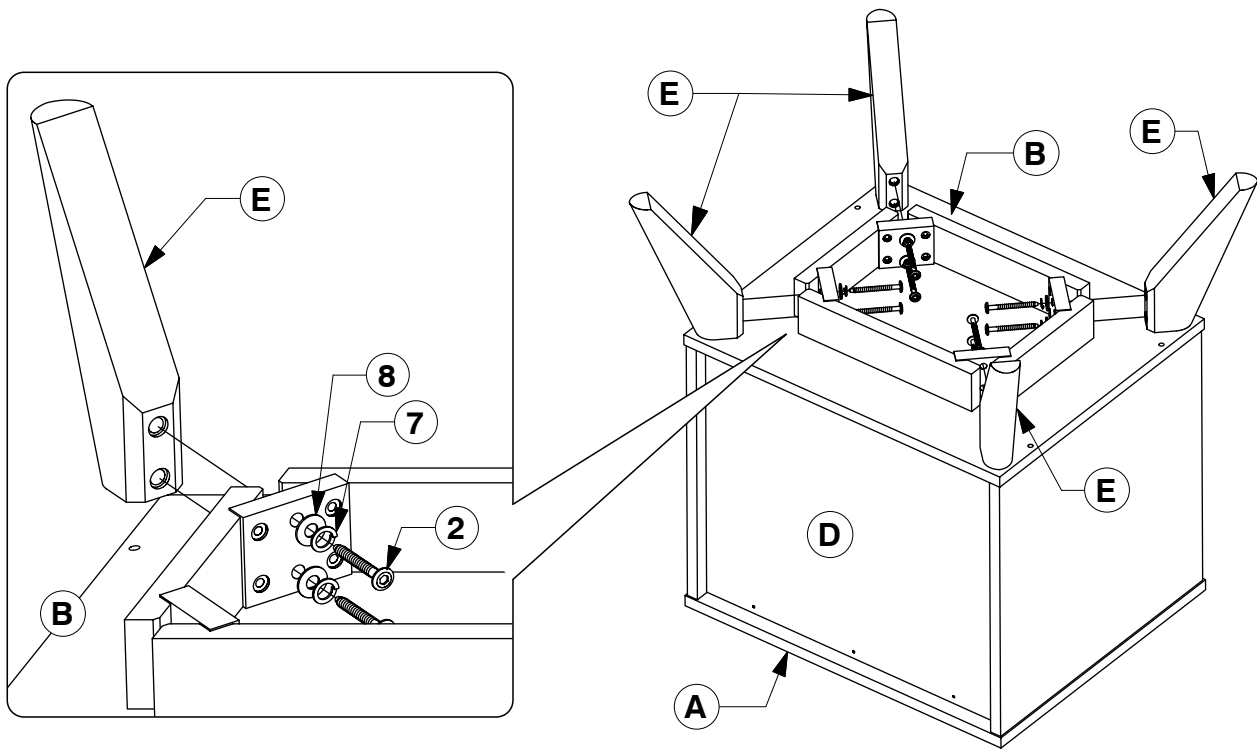


9001 2 Drawer Nightstand

Assembly Instructions

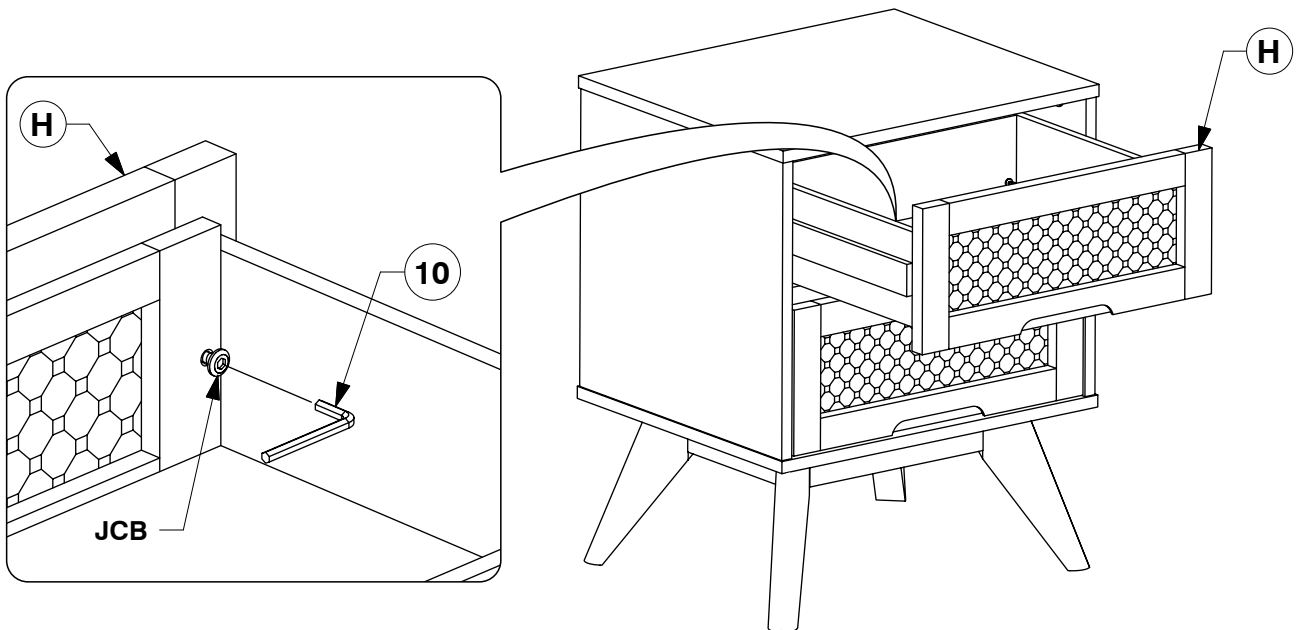
WI-1220

12 Fit the Post (E) to the Bottom Panel (B).



13 Fit and adjust the Drawer Face (H).

* NOTE: Before fitting the Wood Screws.
Loosen the JCBs on the Drawer Face if
the face needs alignment.



9001 2 Drawer Nightstand

Assembly Instructions

WI-1220

14 After the Drawer Faces (H) are aligned, secure with wood screws.

