






Read this instruction carefully. See hardware and furniture part list for guidance.
 Be sure all parts are complete before assembly. Place all wooden furniture parts on a clean and flat soft surface to prevent from being scratched.
 Follow the figure to start assembling.

CAUTION : 1. Do not FULLY - TIGHTEN the nuts or nuts bolts until they are ready for assembly.
 2. Do not OVER - TIGHTEN the nuts or bolts to avoid causing damages to the thread.
 3. Keep all hardware parts out of reach of children.

NOTE : THE LIST AND QUANTITY SHOWN ARE FOR 1 UNIT ASSEMBLY.

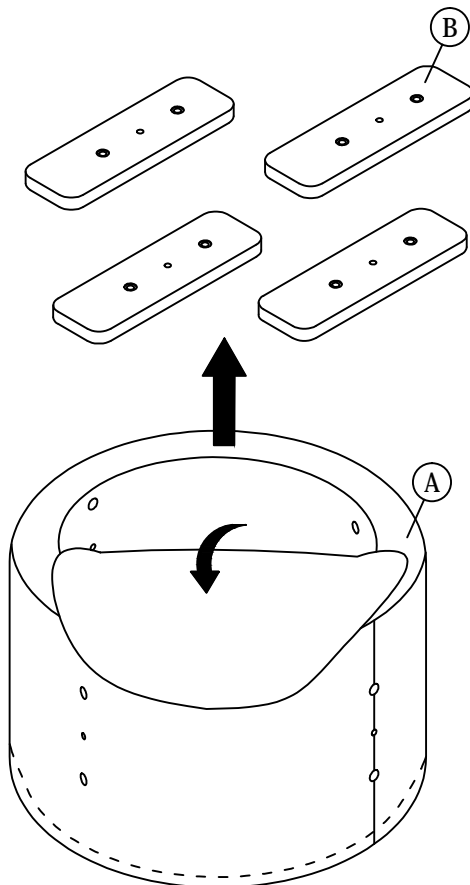
Tools needed : Screwdriver & Rubber Mallet (not provided).

PART LIST			
ITEM	DESCRIPTION	BOX	QTY
A	STOOL	1	1 PC
B	LEG	1	4 PCS

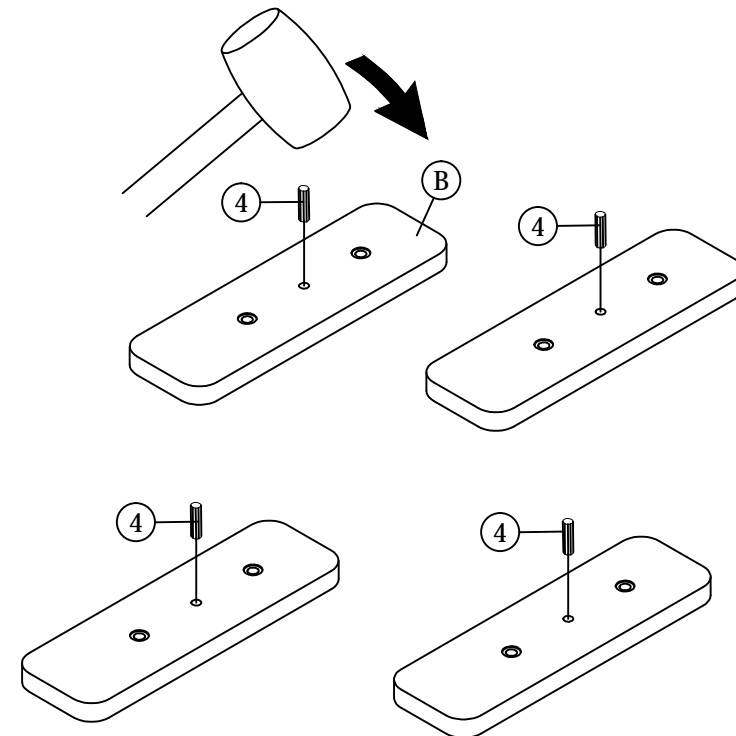
HARDWARE LIST (BOX : 1)		
ITEM	DESCRIPTION	QTY
1	JCBC BOLT M6 x 50mm 	8 PCS
2	M6 FLAT WASHER 	8 PCS
3	M6 SPRING WASHER 	8 PCS
4	WOOD DOWEL M8 x 30mm 	4 PCS
5	M4 ALLEN KEY (BALL SHAPE) 	1 PC

STEP 1

Take out LEG (B) for the STOOL BOTTOM (A).

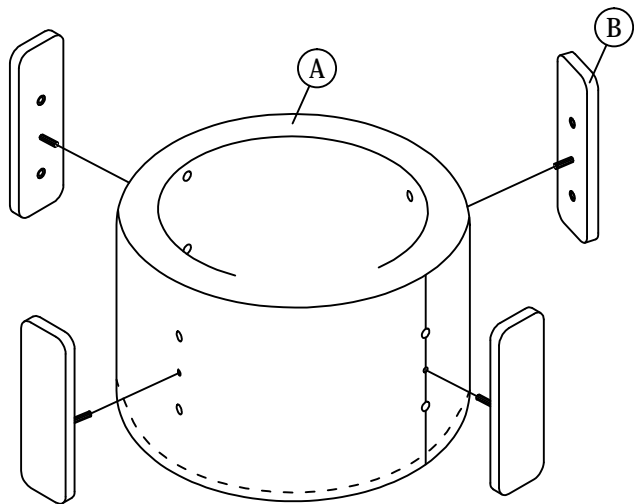


STEP 2

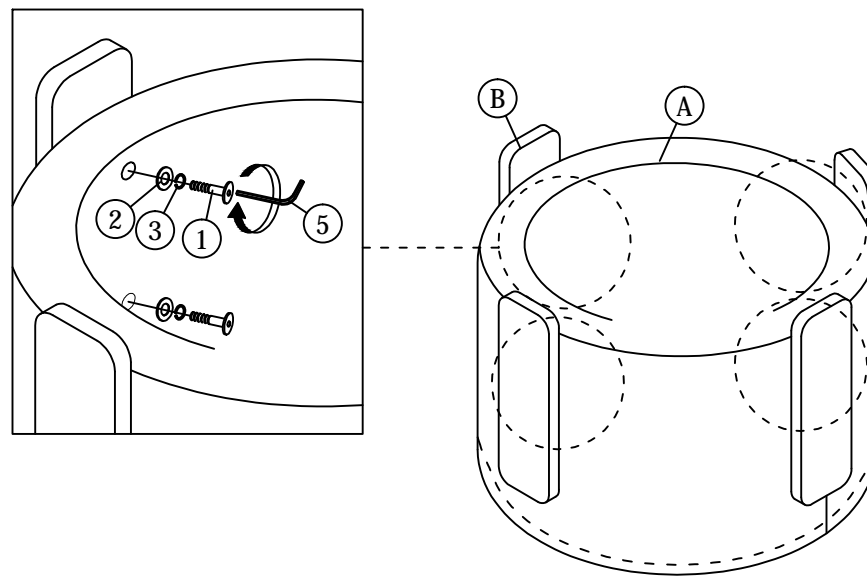


ASSEMBLY INSTRUCTIONS

STEP 3



STEP 4



STEP 5

