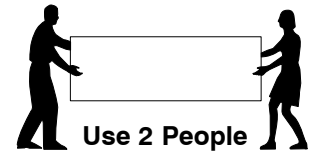
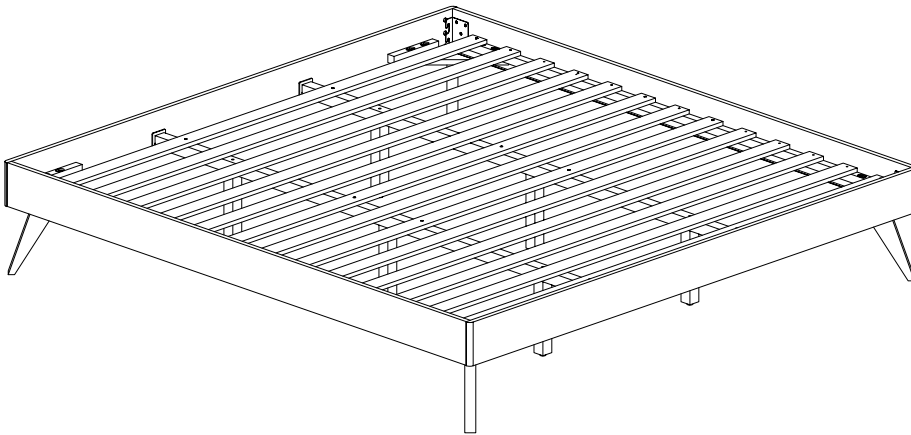


# King Bed

## Assembly Instructions

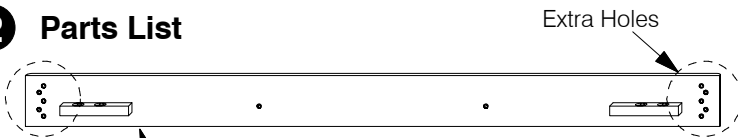
0818

### 1 Assembled View



**Note:** Do not assemble using power tools. This can cause the bolts to be overtightened

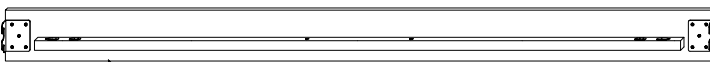
### 2 Parts List



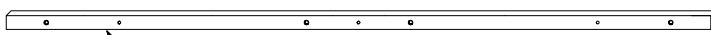
**A** Headboard Panel x 1



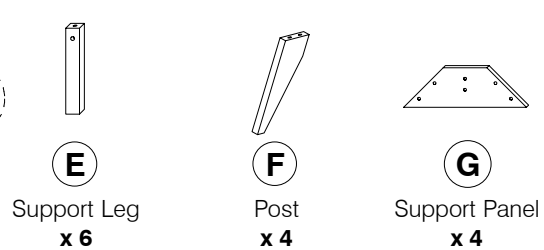
**B** Footboard Panel x 1



**C** Side Rail x 2



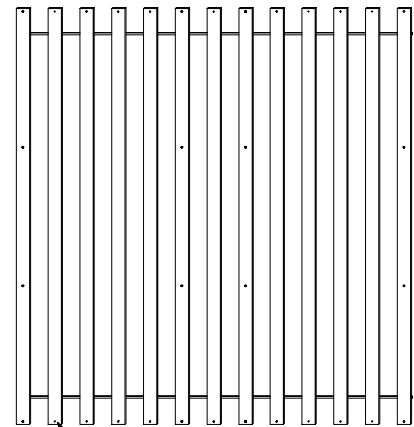
**D** Long Support x 2



**E** Support Leg x 6

**F** Post x 4

**G** Support Panel x 4

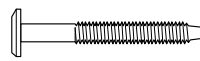


**H** Set of Bed Slats x 1

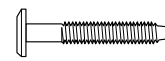
### 3 Hardware List



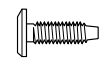
**1** M6 x 90mm JCB x 6



**2** M6 x 50mm JCB x 16



**3** M6 x 40mm JCB x 22



**4** M6 x 20mm JCB x 8



**5** M6 x 15mm JCB x 8



**6** M8 x 50mm JCB x 8



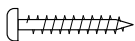
**7** Barrel Nut x 6



**8** Spring Washer x 30



**9** Flat Washer x 30



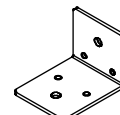
**10** Wood Screw (M4 x 32mm) x 18



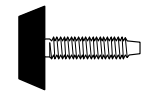
**11** M4 Allen Key x 1



**12** M5 Allen Key x 1



**13** Center Rail Bracket x 4



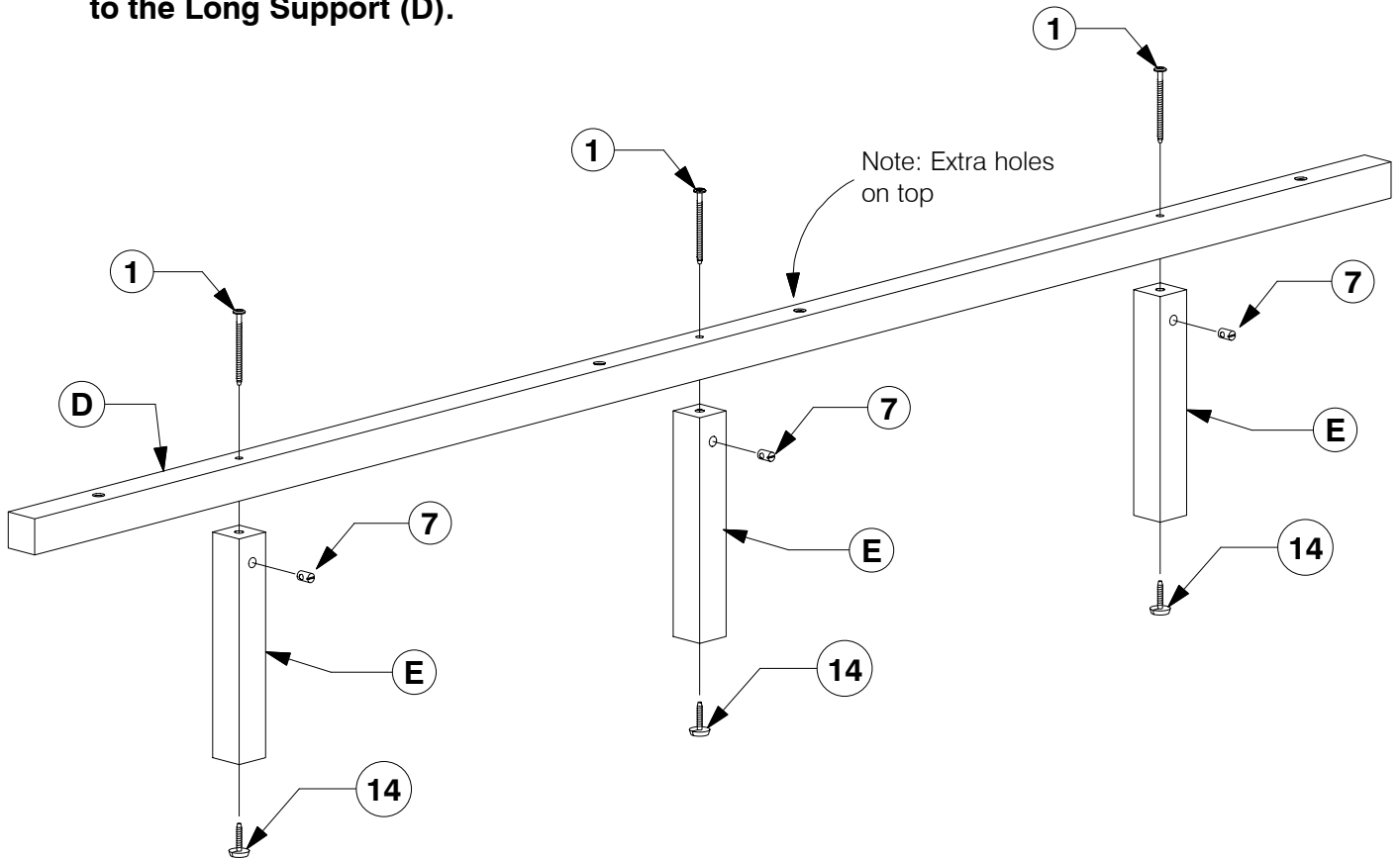
**14** Adjustable Foot x 6

# King Bed

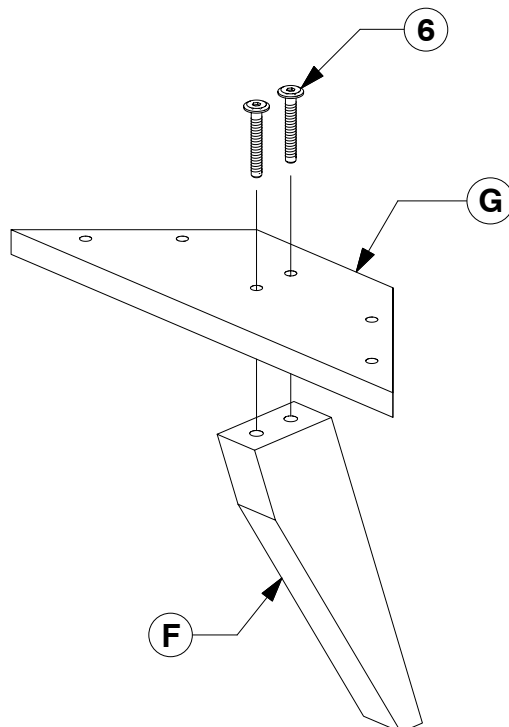
Assembly Instructions

0818

## 4 Assembled the Support Leg (E) to the Long Support (D).



## 5 Fit the Post (F) to the Support Panel (G).

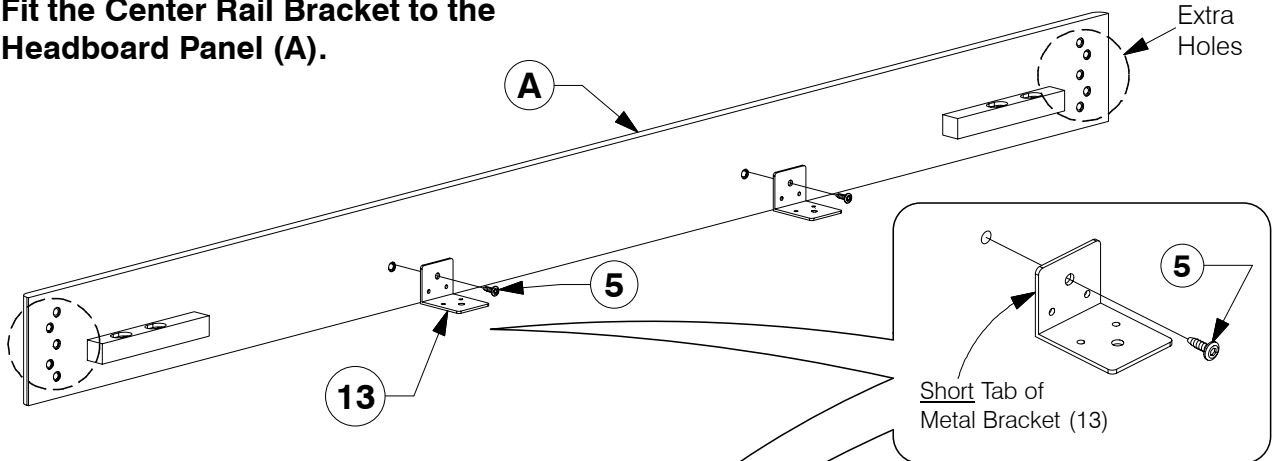


# King Bed

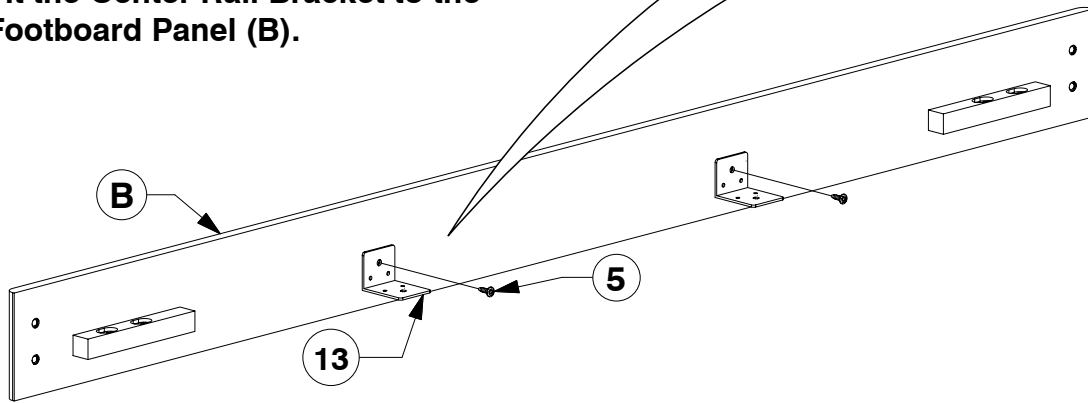
Assembly Instructions

0818

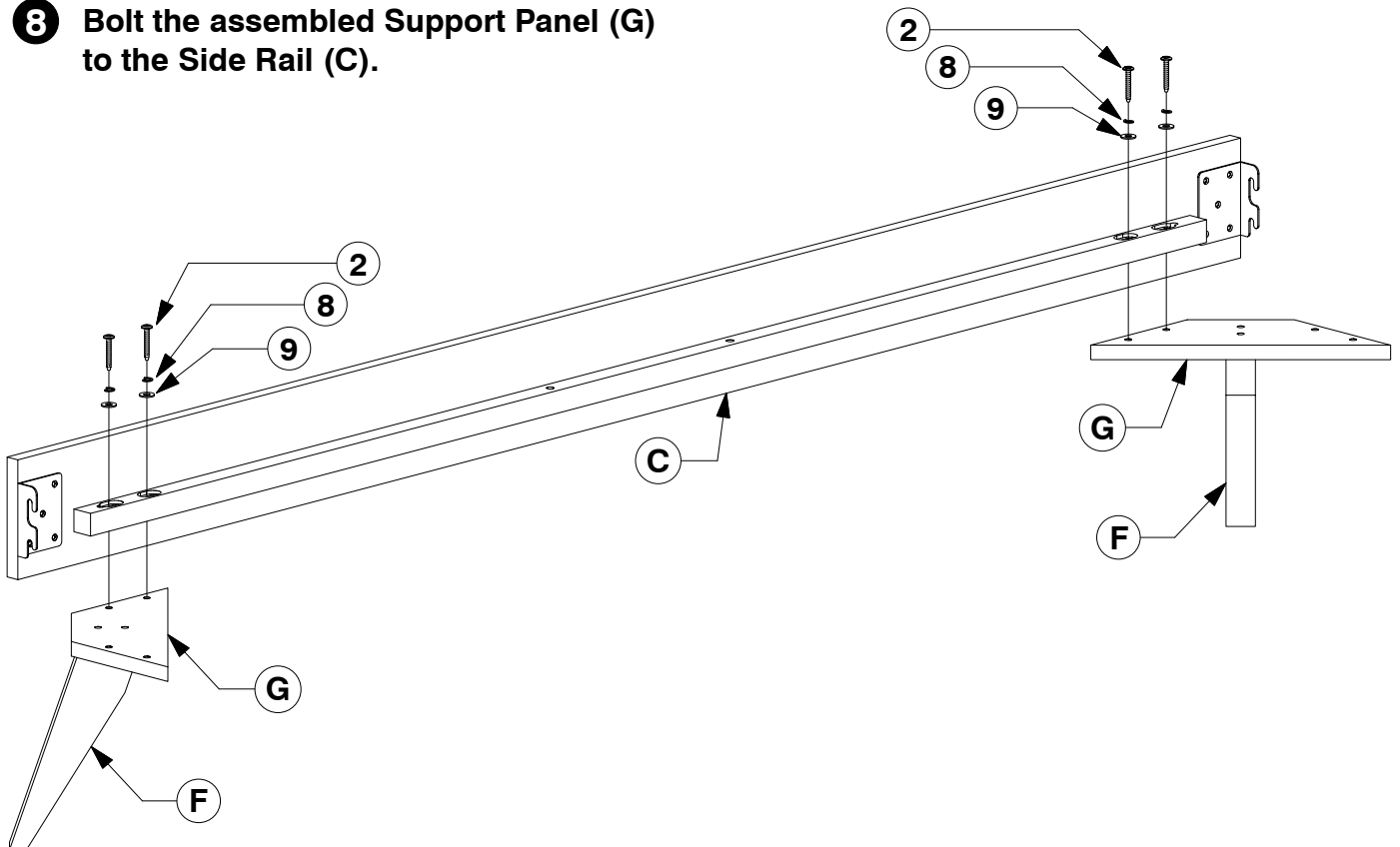
- 6** Fit the Center Rail Bracket to the Headboard Panel (A).



- 7** Fit the Center Rail Bracket to the Footboard Panel (B).



- 8** Bolt the assembled Support Panel (G) to the Side Rail (C).

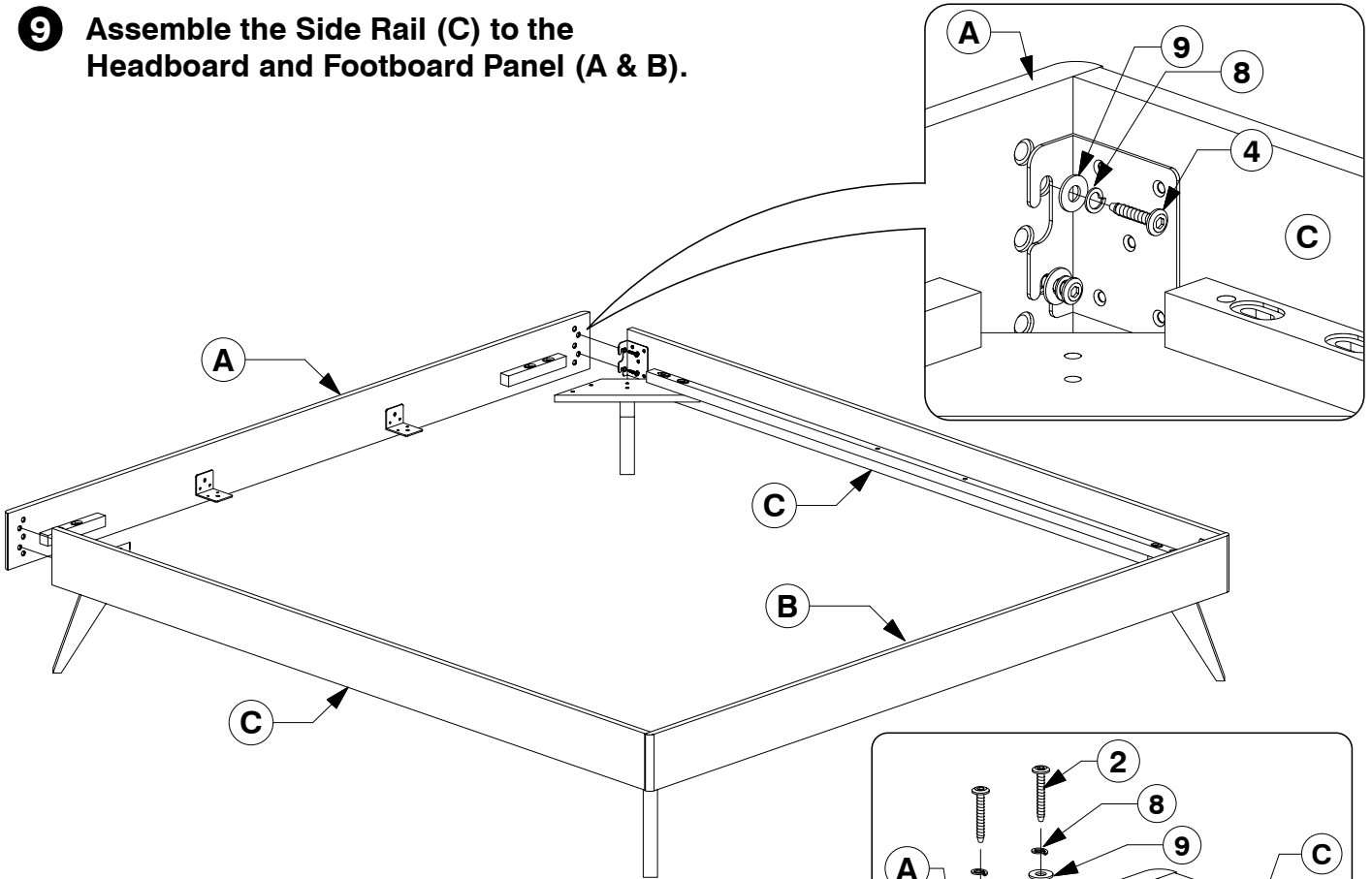


# King Bed

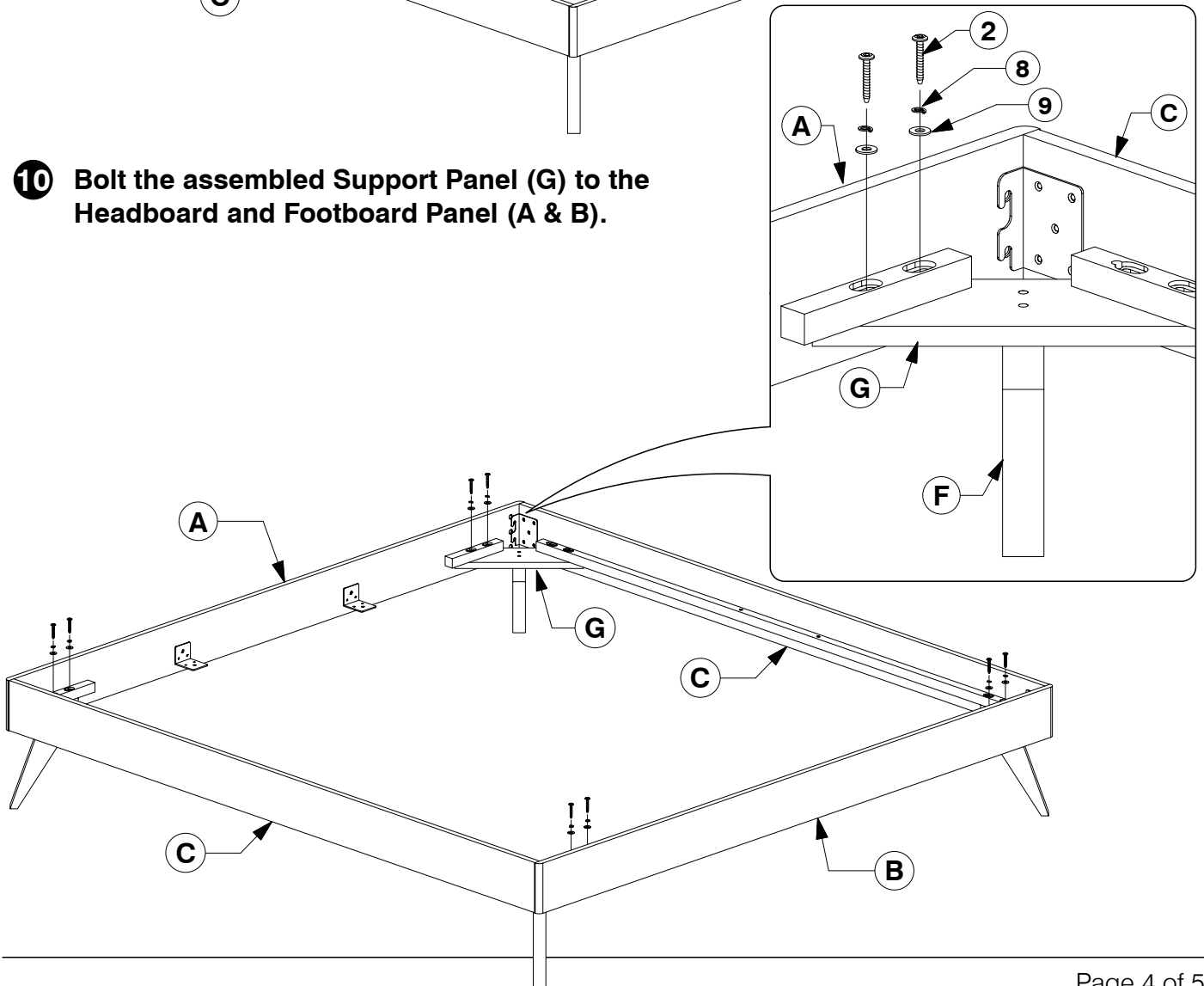
Assembly Instructions

0818

- 9** Assemble the Side Rail (C) to the Headboard and Footboard Panel (A & B).



- 10** Bolt the assembled Support Panel (G) to the Headboard and Footboard Panel (A & B).

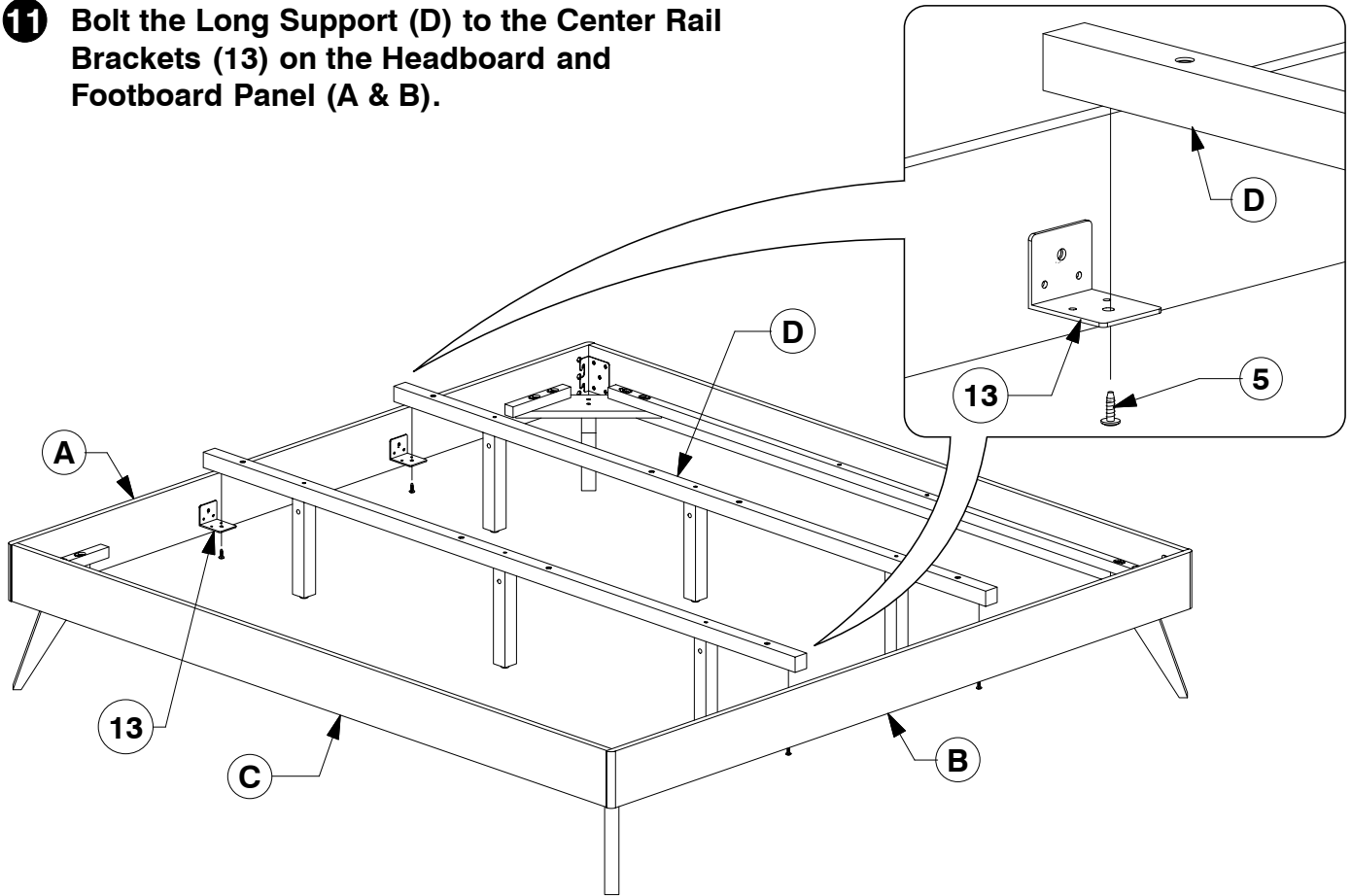


# King Bed

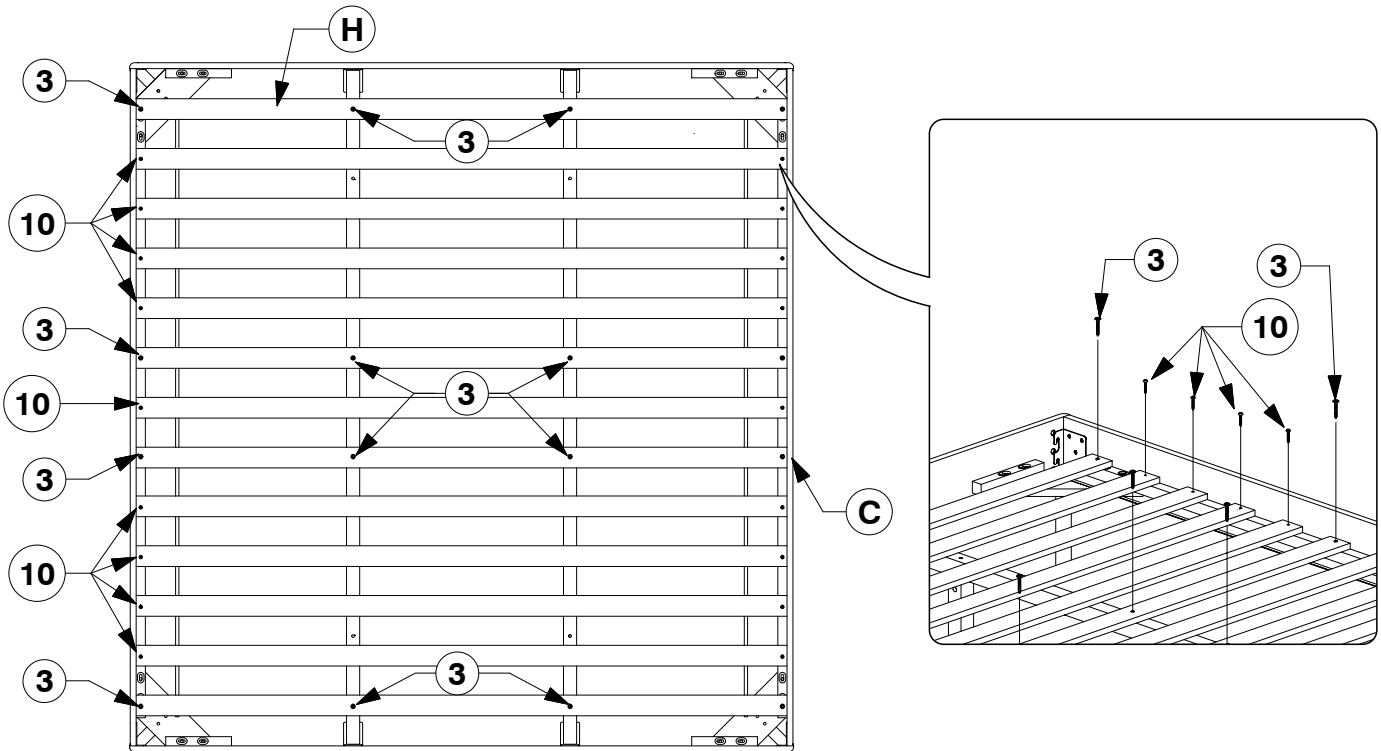
Assembly Instructions

0818

- 11** Bolt the Long Support (D) to the Center Rail Brackets (13) on the Headboard and Footboard Panel (A & B).



- 12** Bolt & screw the Bed Slats (H) to the Side Rail (C).

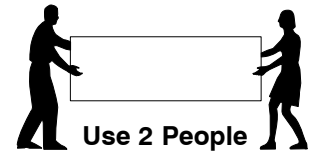
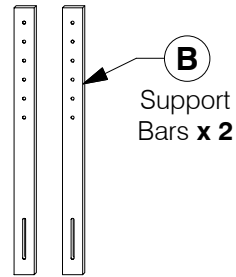
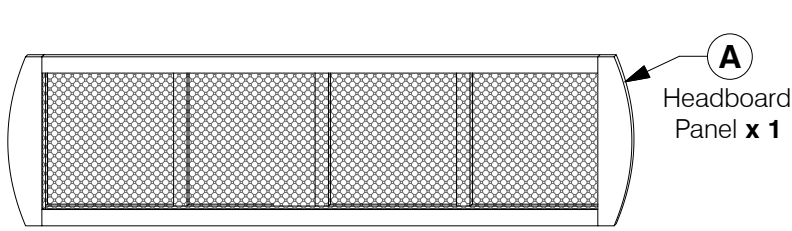


# 9734 King Headboard

## Assembly Instructions

W11-0720

### 1 Parts List



### 2 Hardware List



1 M6 x 35mm JCB  
x 10



2 Spring Washer  
x 10



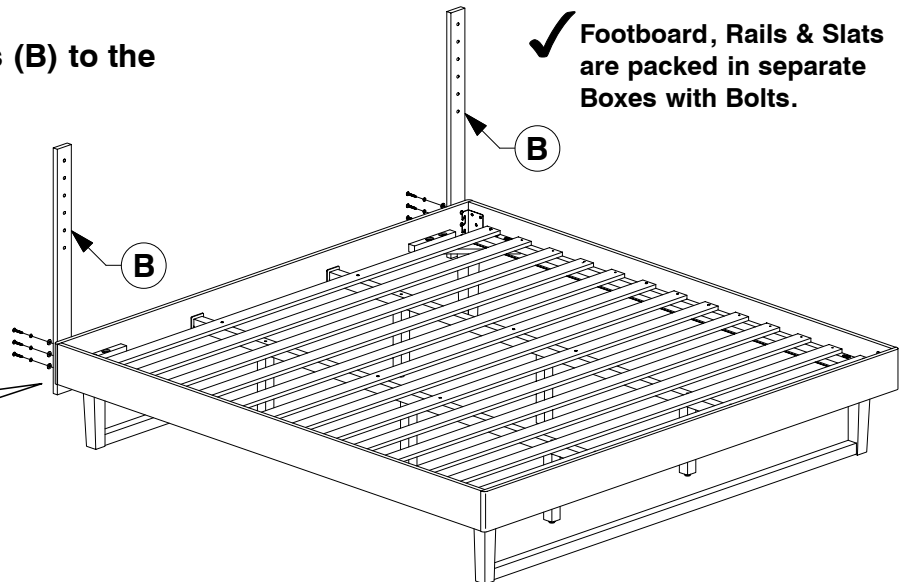
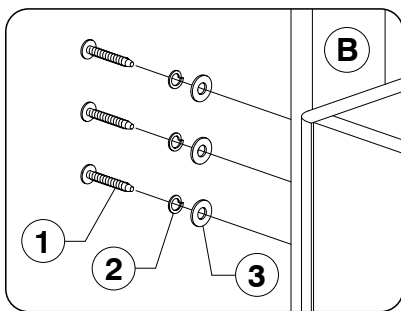
3 Flat Washer  
x 10



4 Allen Key  
x 1

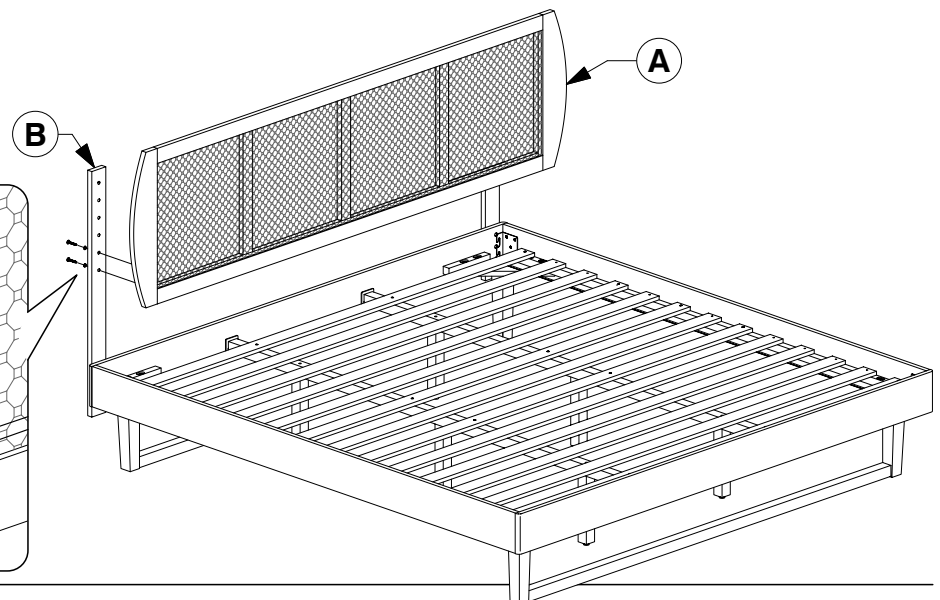
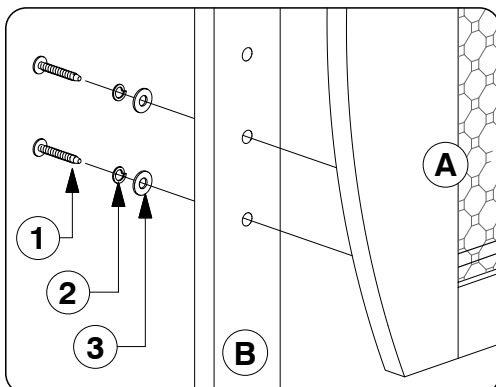
**Note:** Do not assemble using power tools. This can cause the bolts to be overtightened

### 3 Assemble the Support Bars (B) to the Headboard Panel.



✓ Footboard, Rails & Slats are packed in separate Boxes with Bolts.

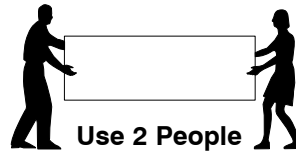
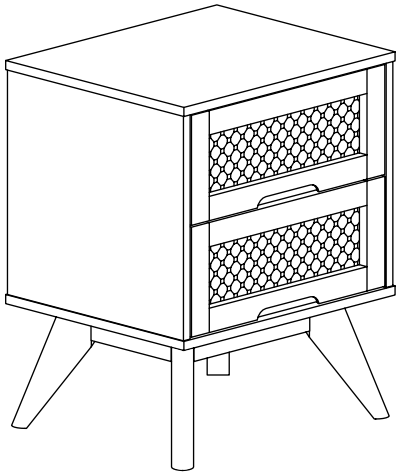
### 4 Assemble the Headboard Panel (A) to the Support Bars (B).



# 9001 2 Drawer Nightstand

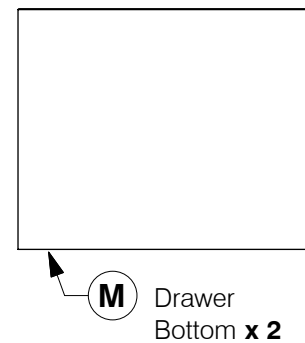
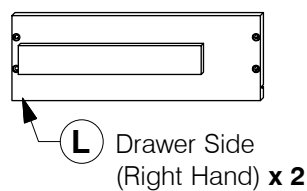
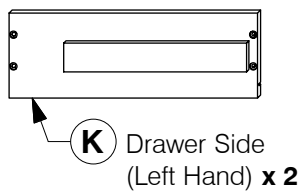
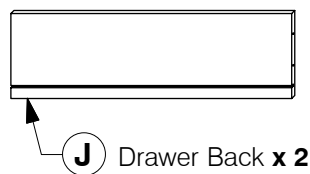
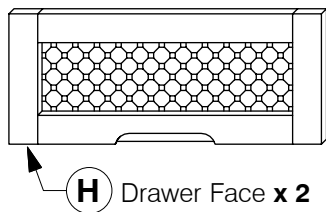
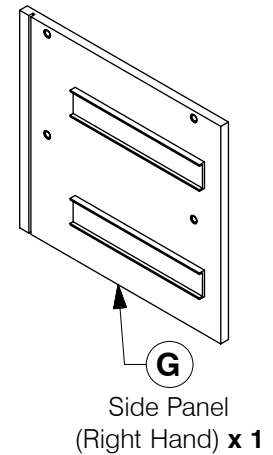
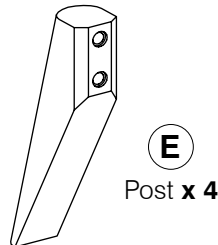
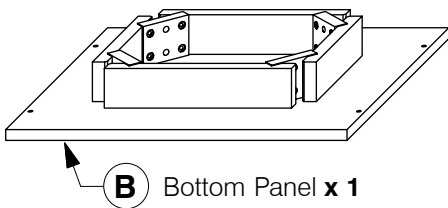
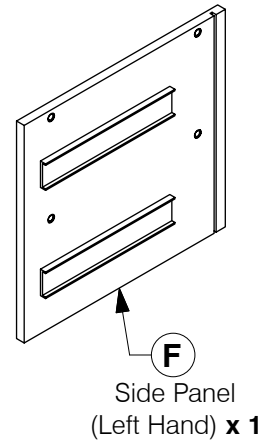
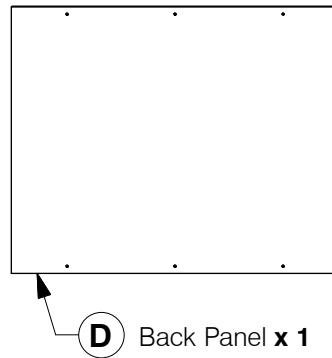
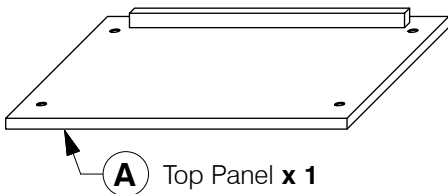
## Assembly Instructions

WI-1220



**Note:** Do not assemble using power tools. This can cause the bolts to be overtightened

### 1 Parts List

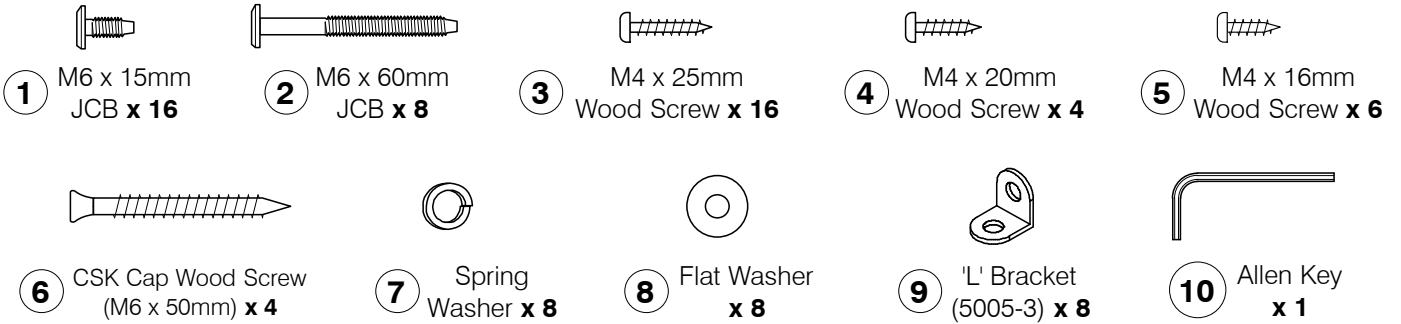


# 9001 2 Drawer Nightstand

## Assembly Instructions

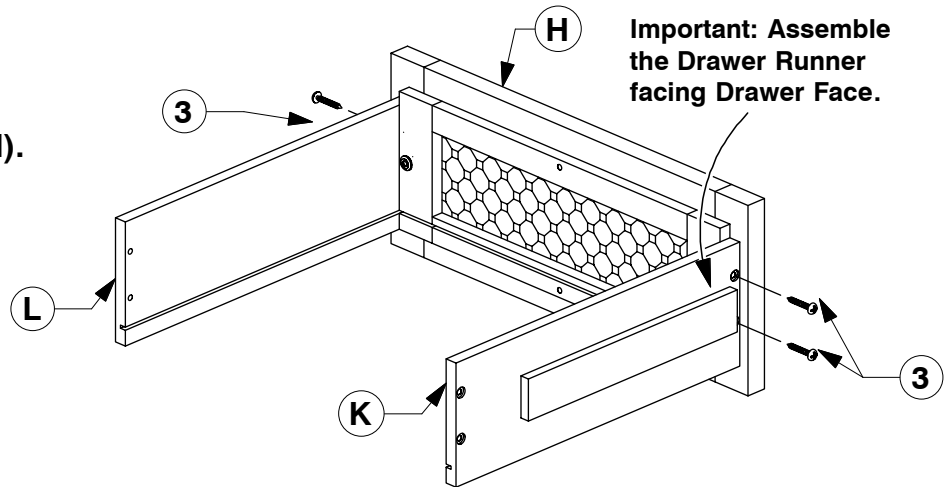
WI-1220

### 2 Hardware List

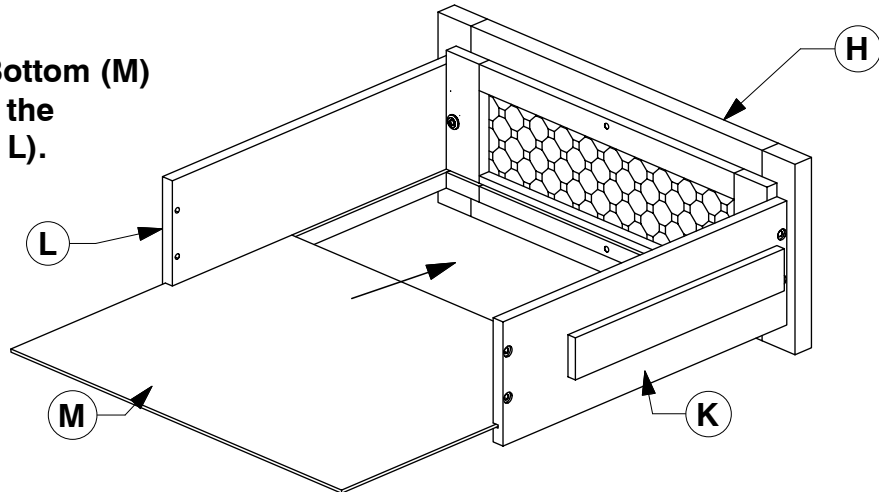


### 3 Assemble the Drawer Sides (K & L) to the Drawer Face (H).

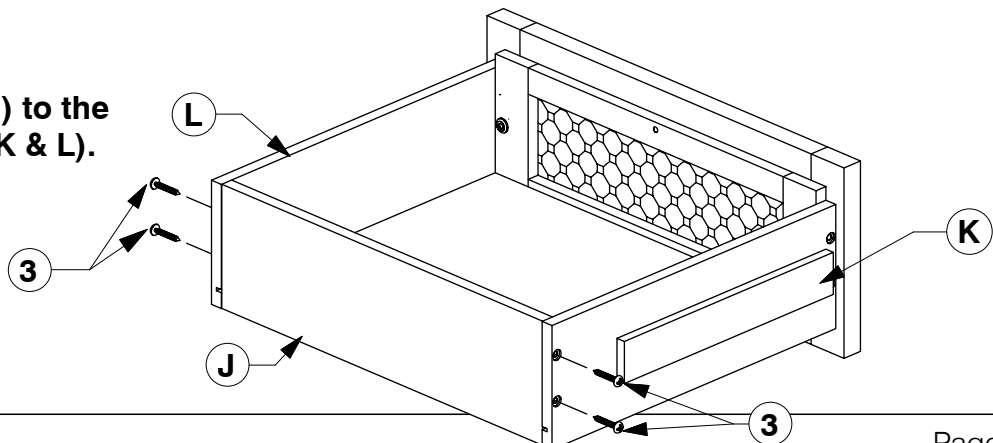
x2



### 4 Slide the Drawer Bottom (M) into the groove on the Drawer Sides (K & L).



### 5 Assemble the Drawer Back (J) to the Drawer Sides (K & L).



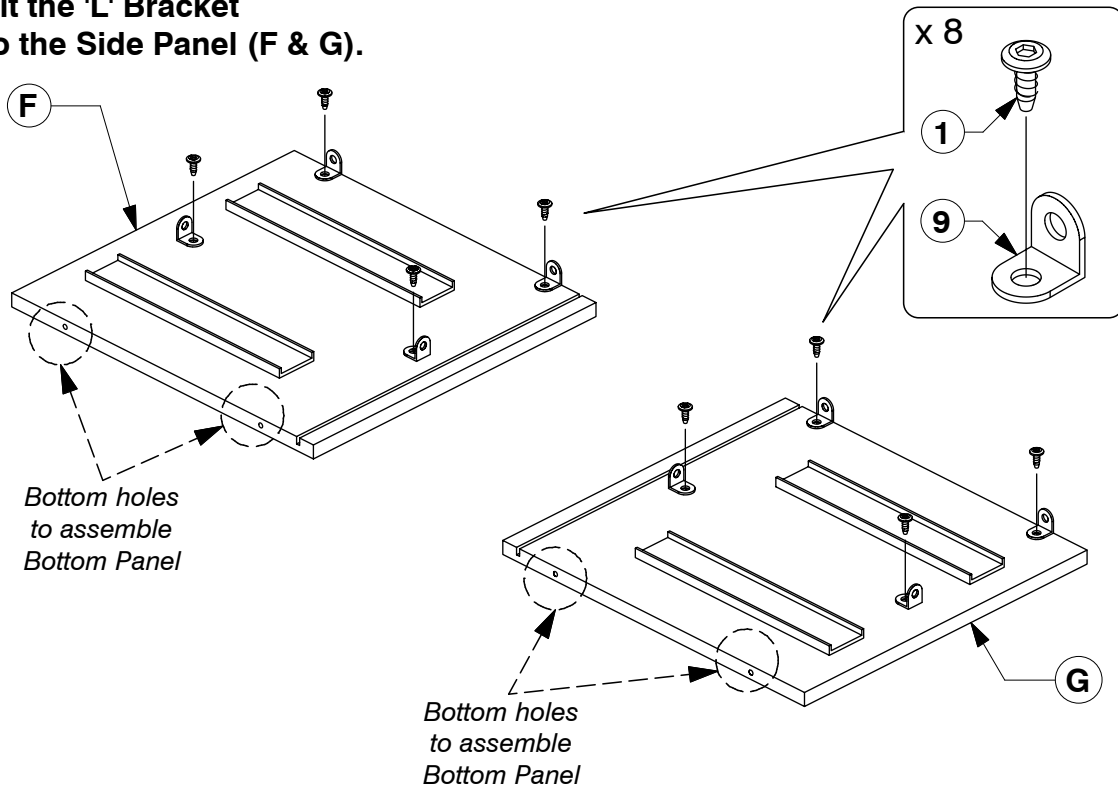


# 9001 2 Drawer Nightstand

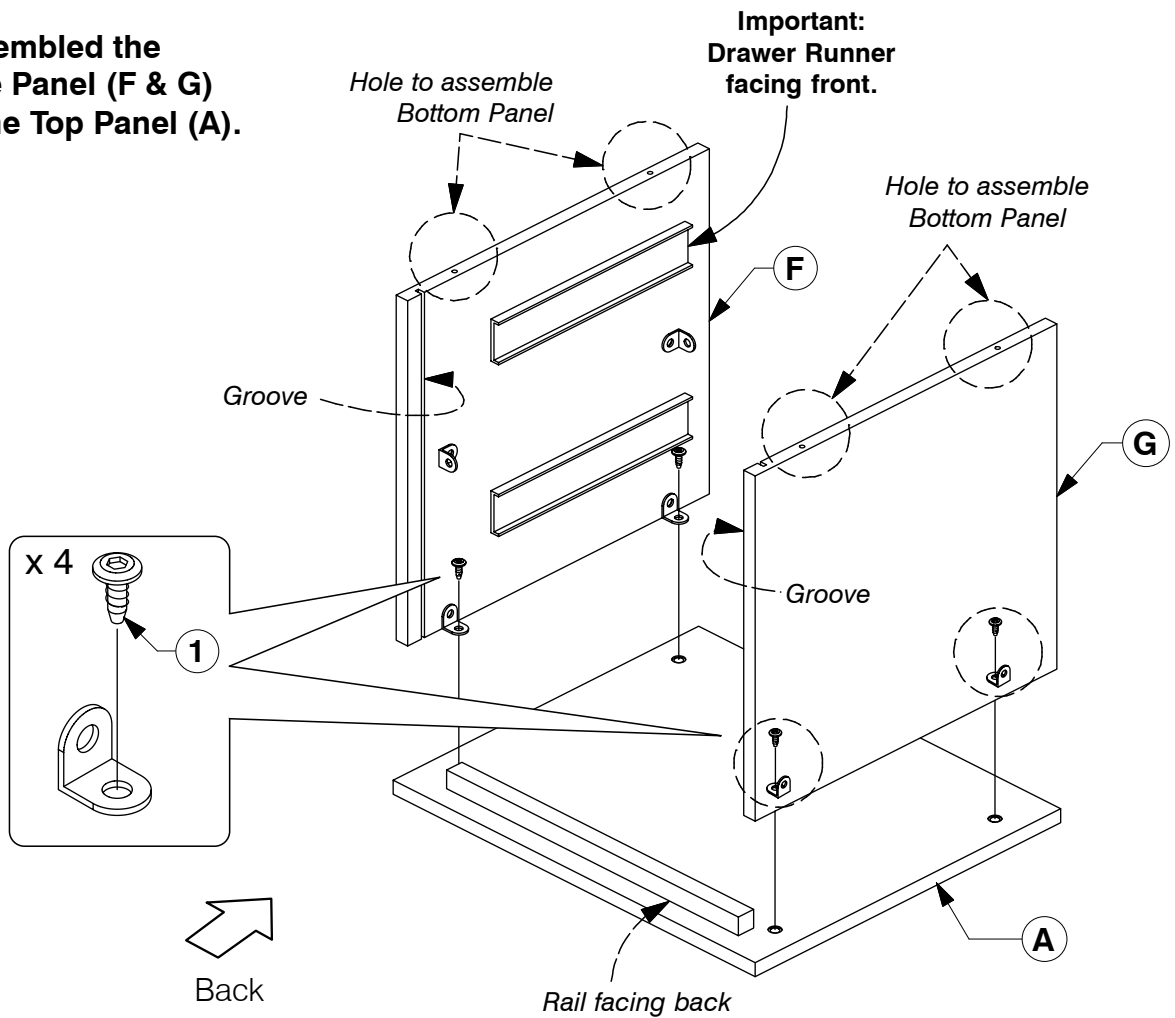
## Assembly Instructions

WI-1220

### 6 Fit the 'L' Bracket to the Side Panel (F & G).



### 7 Assembled the Side Panel (F & G) to the Top Panel (A).

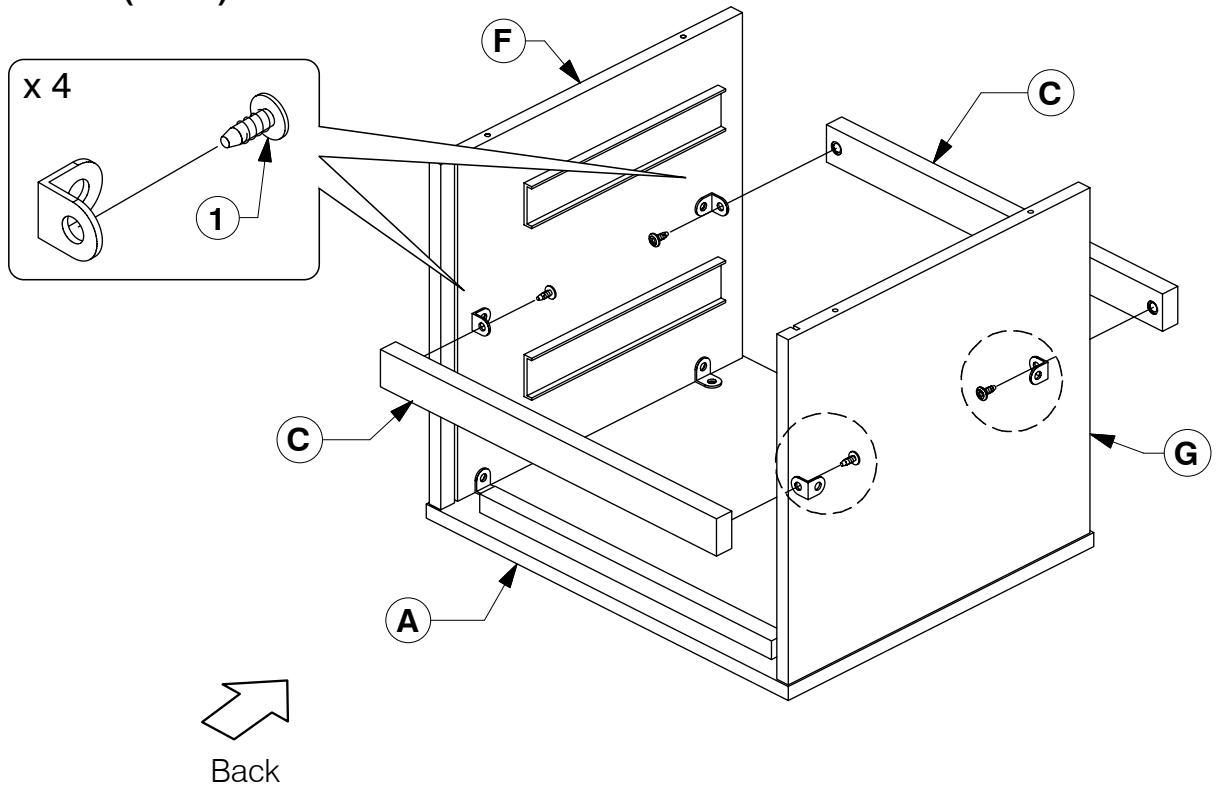


# 9001 2 Drawer Nightstand

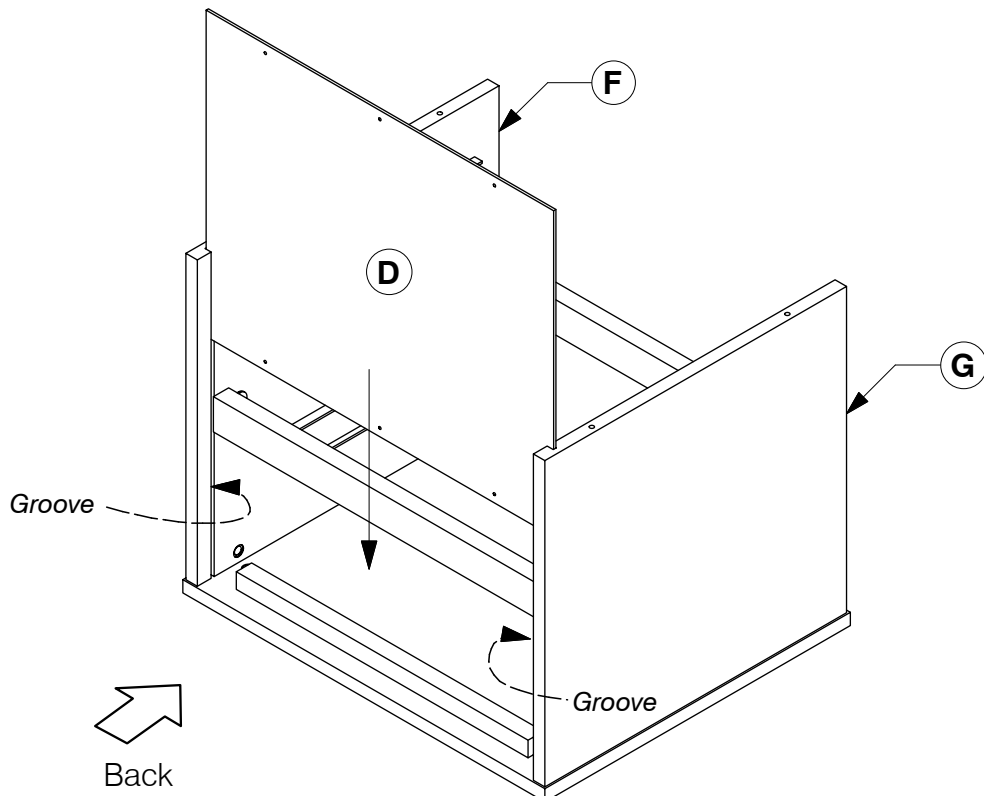
## Assembly Instructions

WI-1220

- 8** Fit the Support Bar (C) to the Side Panel (F & G).



- 9** Slide the Back Panel (D) into the groove on the back of the Side Panel (F & G).

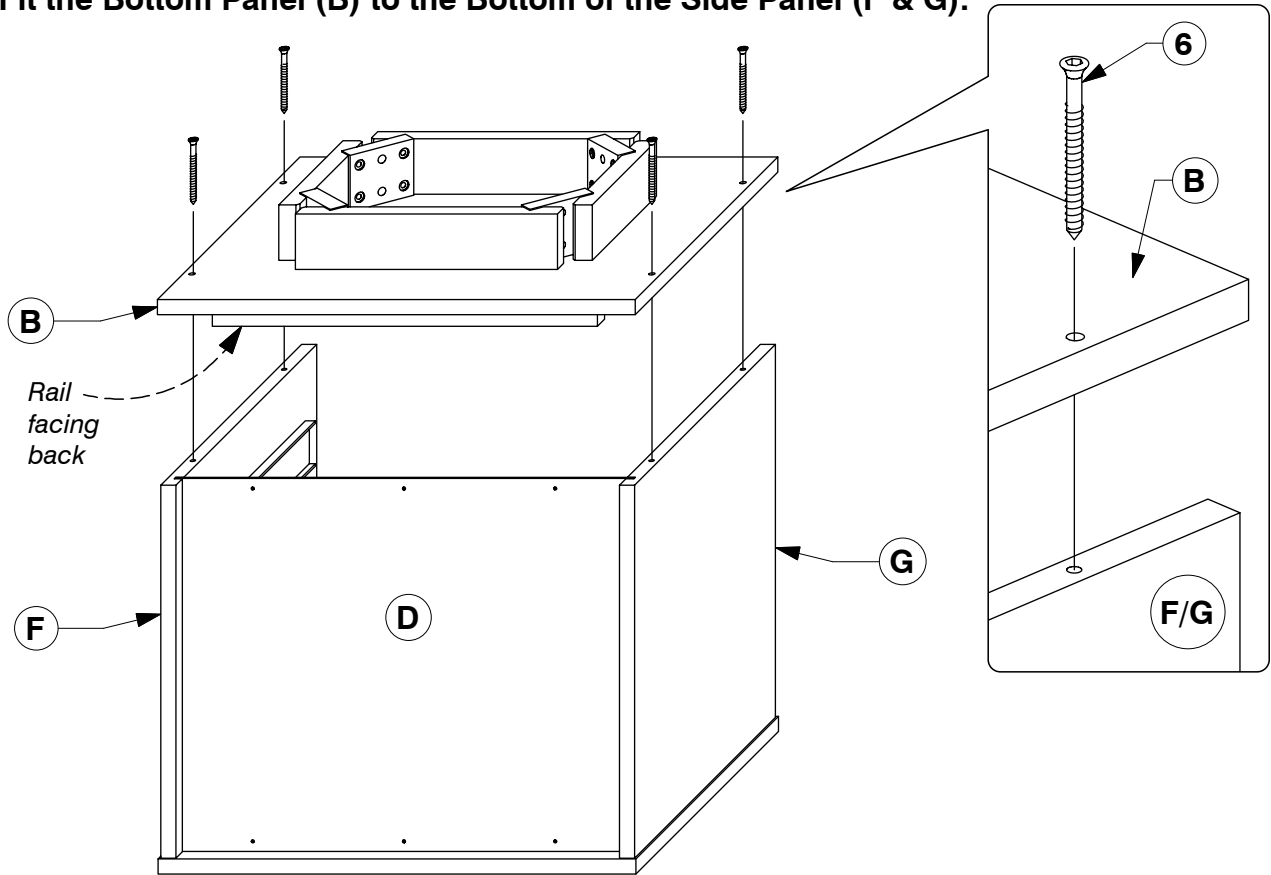


# 9001 2 Drawer Nightstand

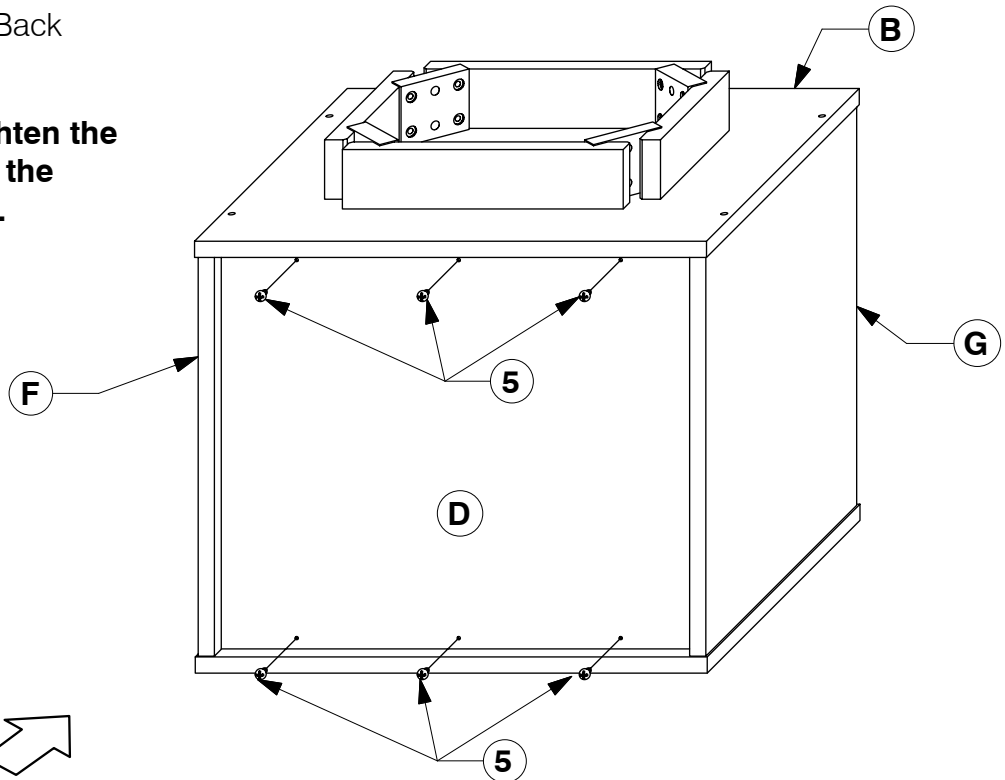
## Assembly Instructions

WI-1220

- 10** Fit the Bottom Panel (B) to the Bottom of the Side Panel (F & G).



- 11** Use screws to tighten the Back Panel (D) to the back of the frame.

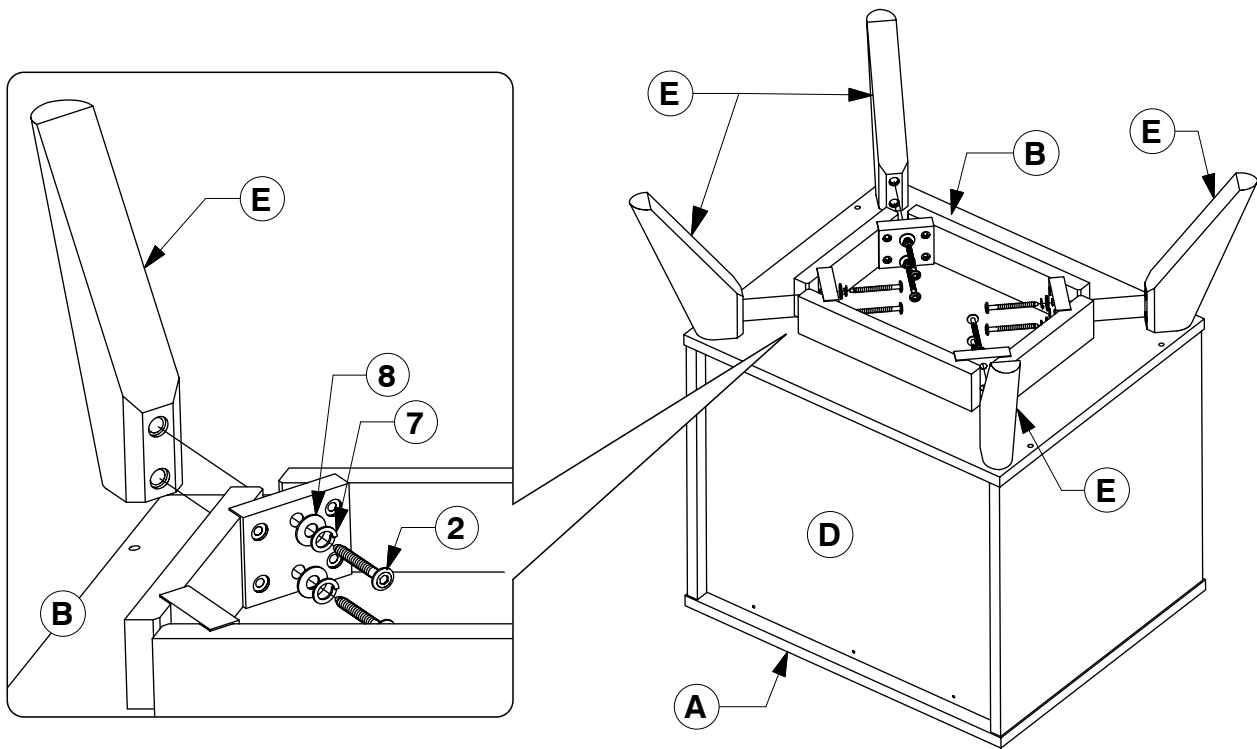


# 9001 2 Drawer Nightstand

## Assembly Instructions

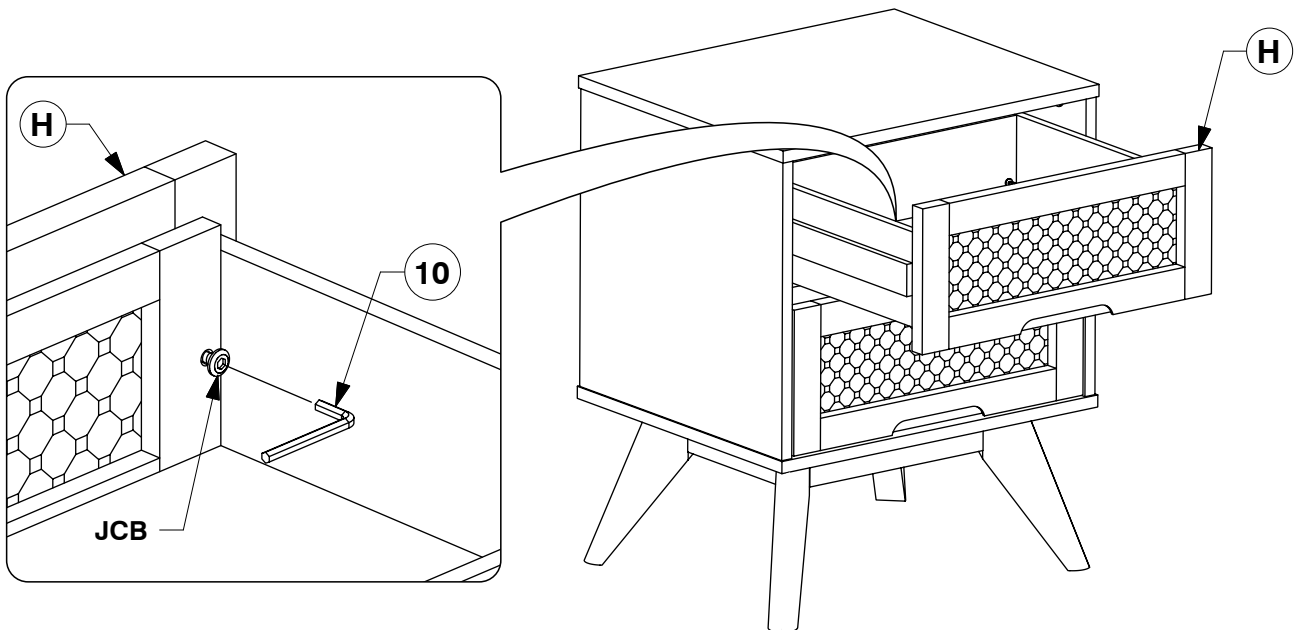
WI-1220

### 12 Fit the Post (E) to the Bottom Panel (B).



### 13 Fit and adjust the Drawer Face (H).

\* NOTE: Before fitting the Wood Screws.  
Loosen the JCBs on the Drawer Face if  
the face needs alignment.



# 9001 2 Drawer Nightstand

## Assembly Instructions

WI-1220

- 14** After the Drawer Faces (H) are aligned, secure with wood screws.

