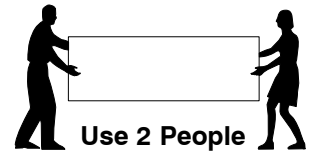
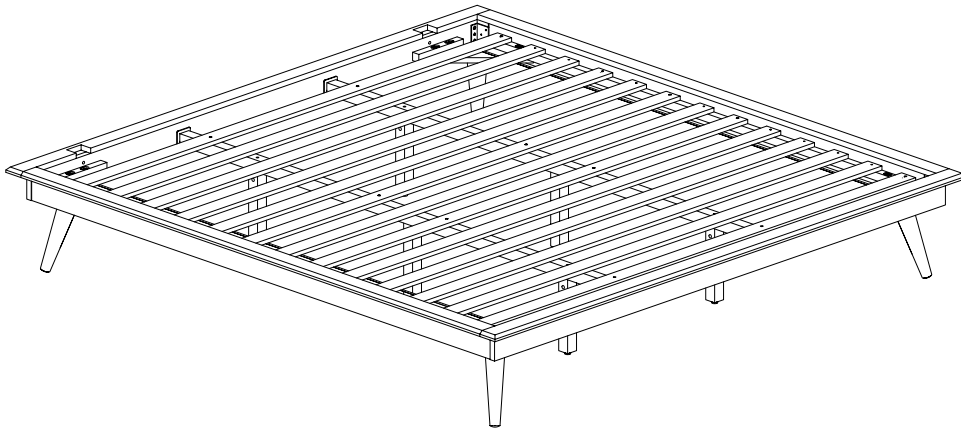


0004 King Bed

Assembly Instructions

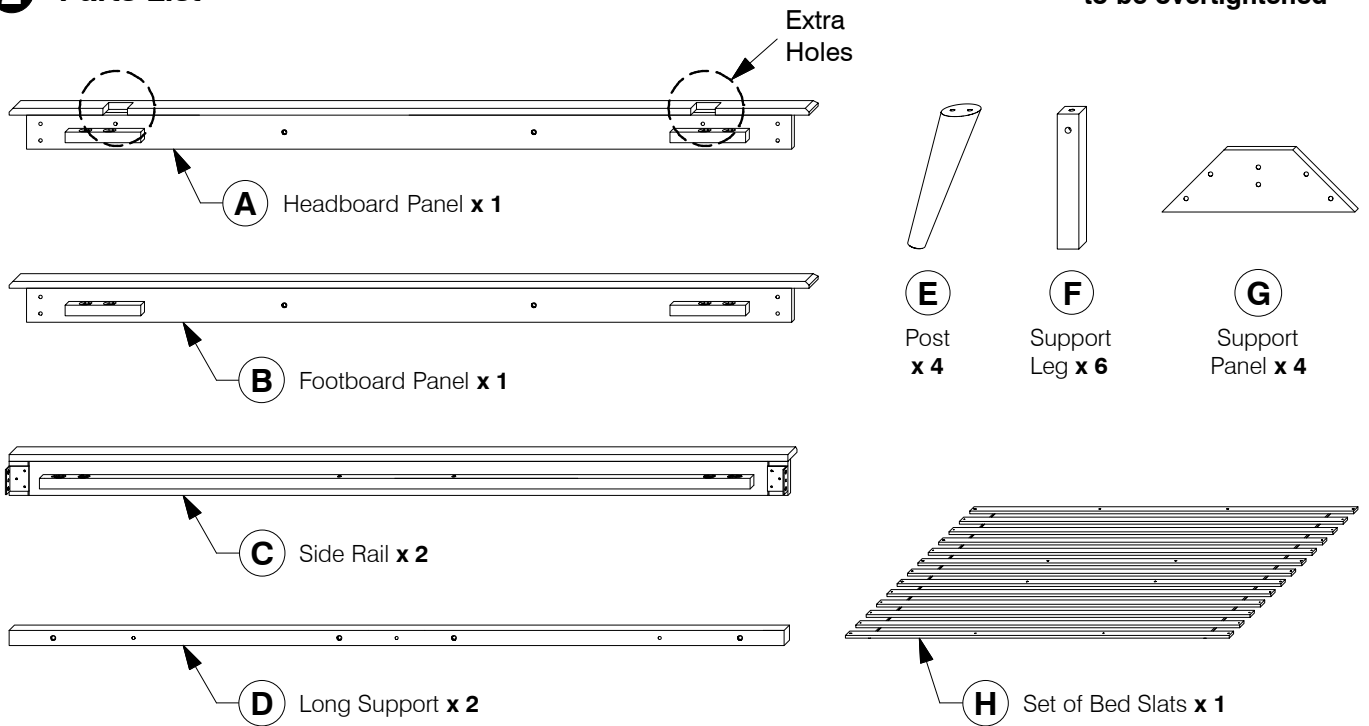
WII-0819

1 Assembled View

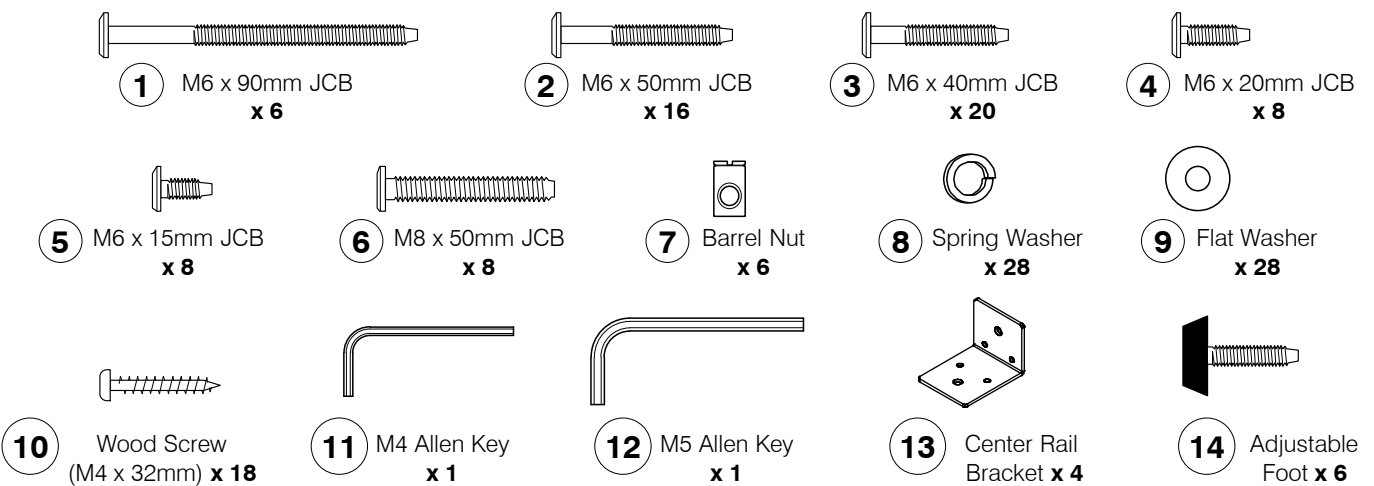


Note: Do not assemble using power tools. This can cause the bolts to be overtightened

2 Parts List



3 Hardware List

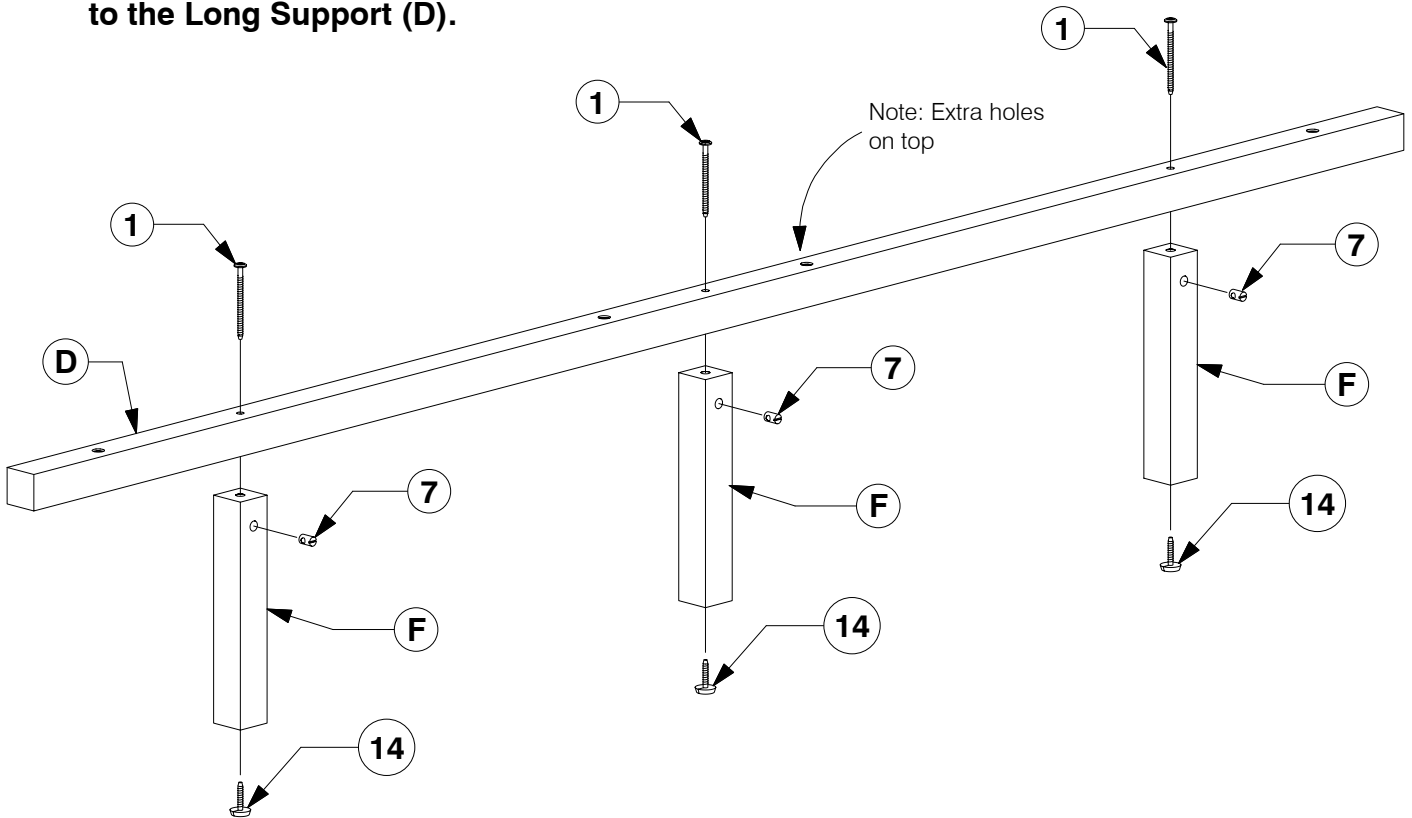


0004 King Bed

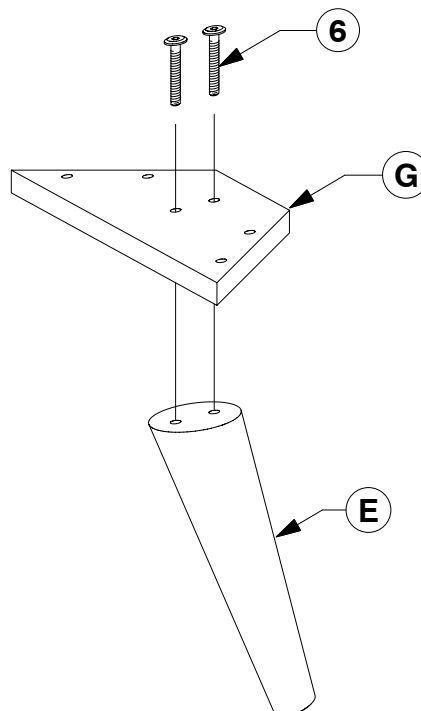
Assembly Instructions

WII-0819

4 Assembled the Support Legs (F) to the Long Support (D).



5 Fit the Post (E) to the Support Panel (G).

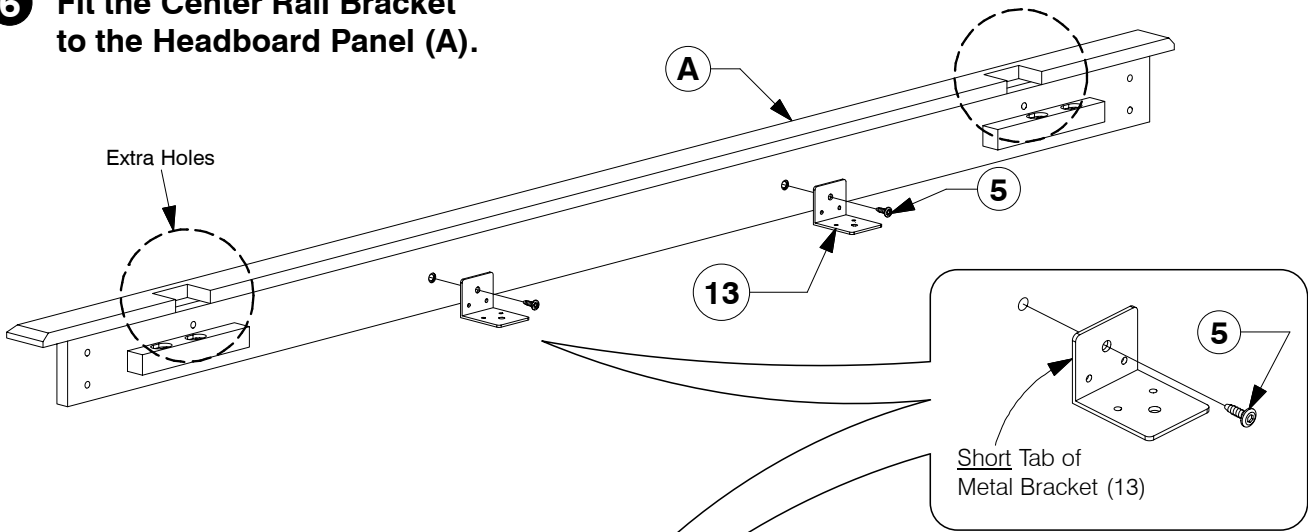


0004 King Bed

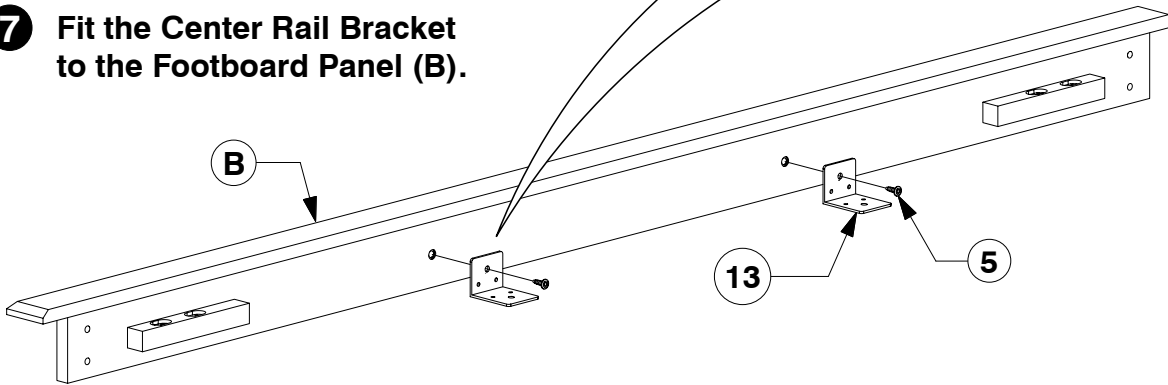
Assembly Instructions

WII-0819

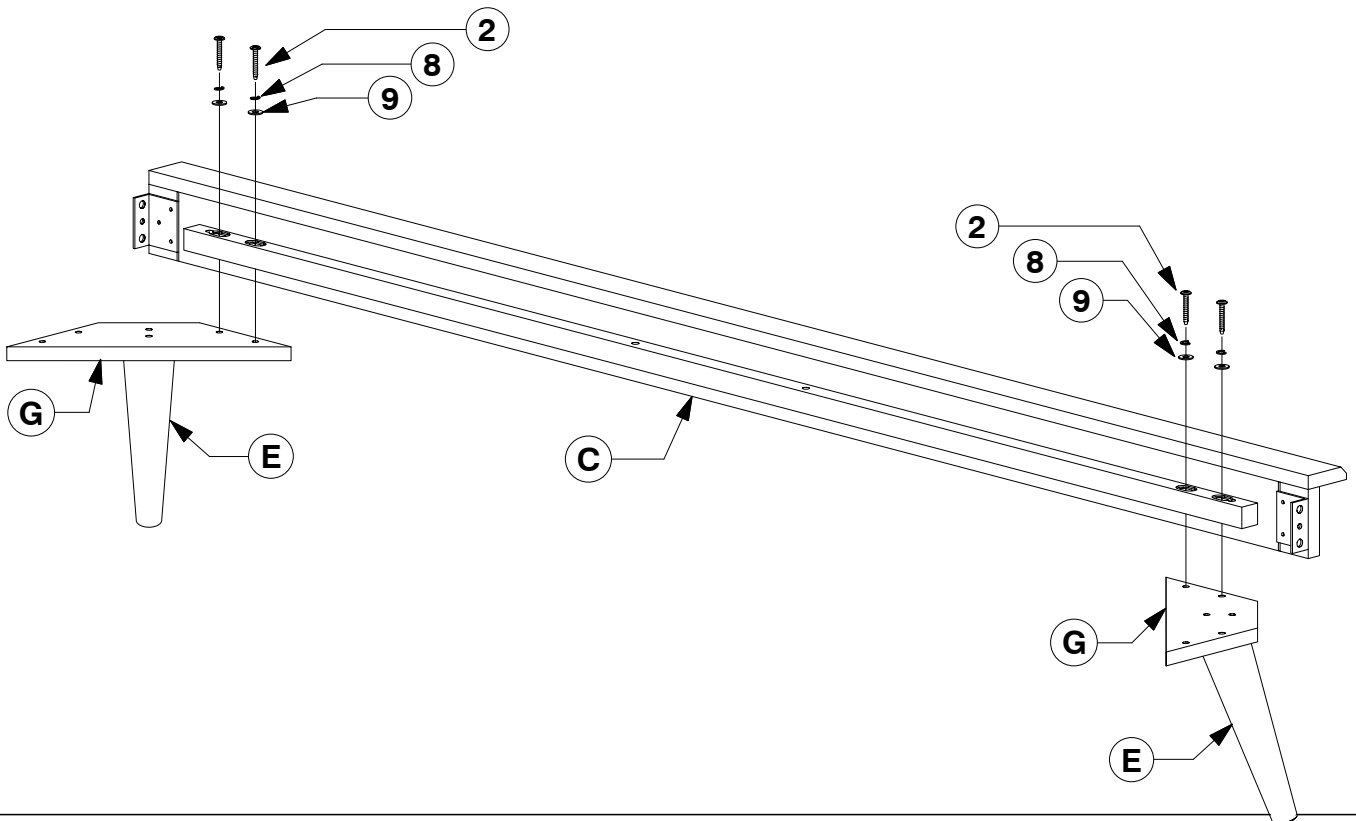
- 6** Fit the Center Rail Bracket to the Headboard Panel (A).



- 7** Fit the Center Rail Bracket to the Footboard Panel (B).



- 8** Bolt the Post & Support Panel (E & G) to the Side Rail (C).

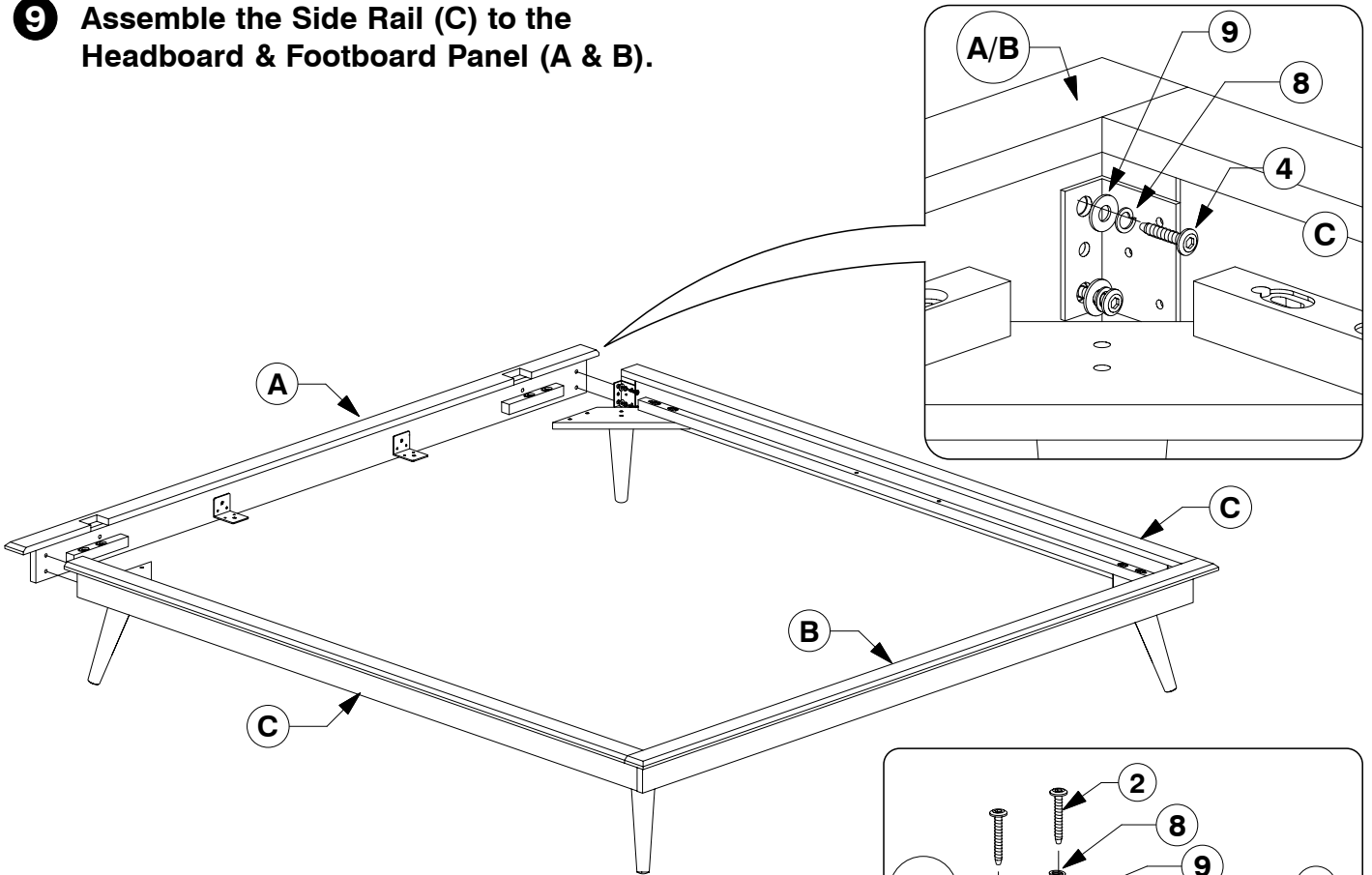


0004 King Bed

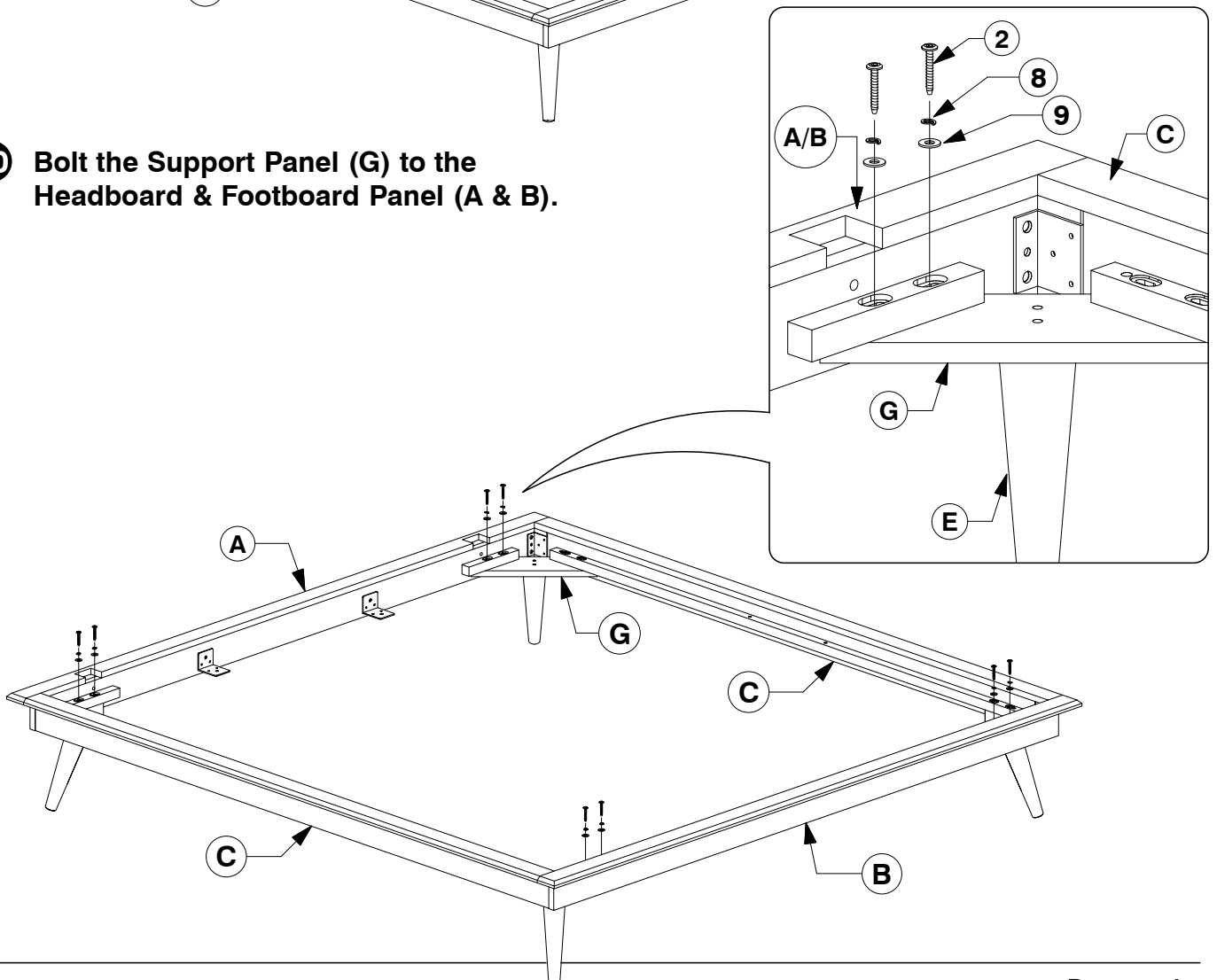
Assembly Instructions

WII-0819

- 9** Assemble the Side Rail (C) to the Headboard & Footboard Panel (A & B).



- 10** Bolt the Support Panel (G) to the Headboard & Footboard Panel (A & B).

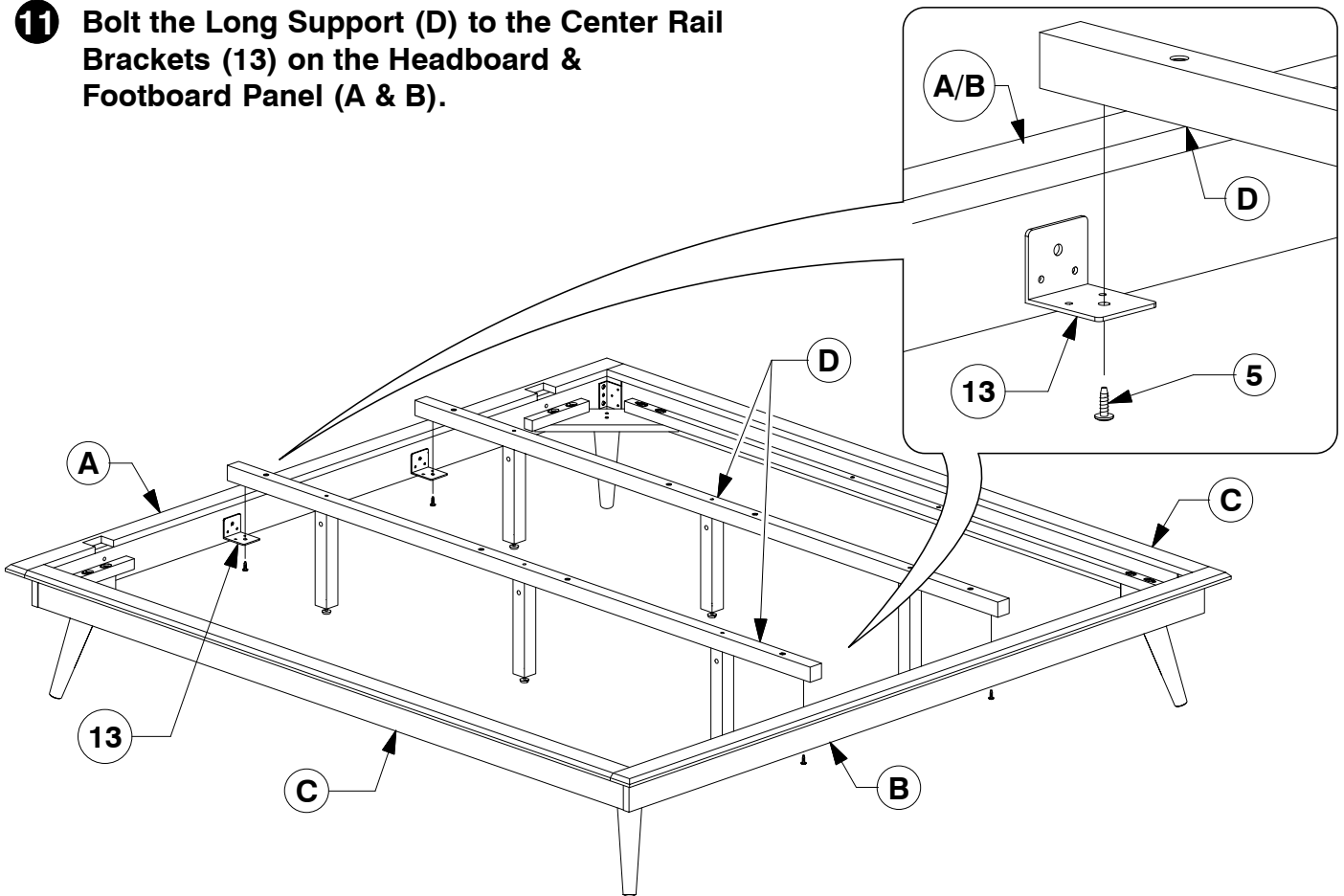


0004 King Bed

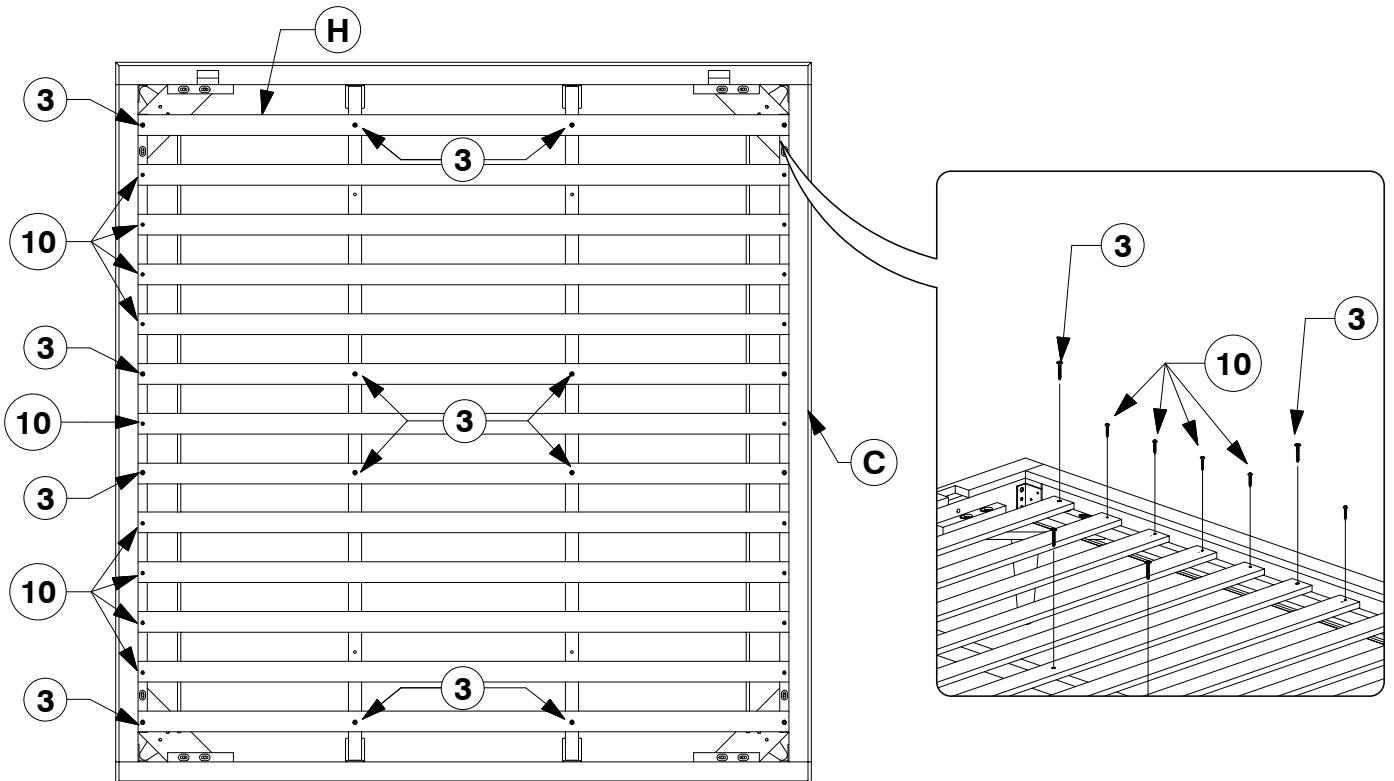
Assembly Instructions

WII-0819

- 11** Bolt the Long Support (D) to the Center Rail Brackets (13) on the Headboard & Footboard Panel (A & B).



- 12** Bolt & screw the Bed Slats (H) to the Side Rail (C).

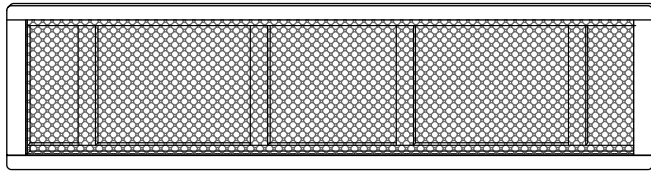


King Headboard

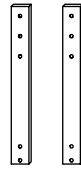
Assembly Instructions

W11-0419

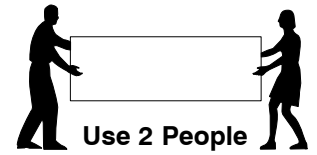
1 Parts List



A Headboard Panel x 1



B Support Bar x 2



2 Hardware List



1 M6 x 35mm JCB x 6



2 Spring Washer x 6



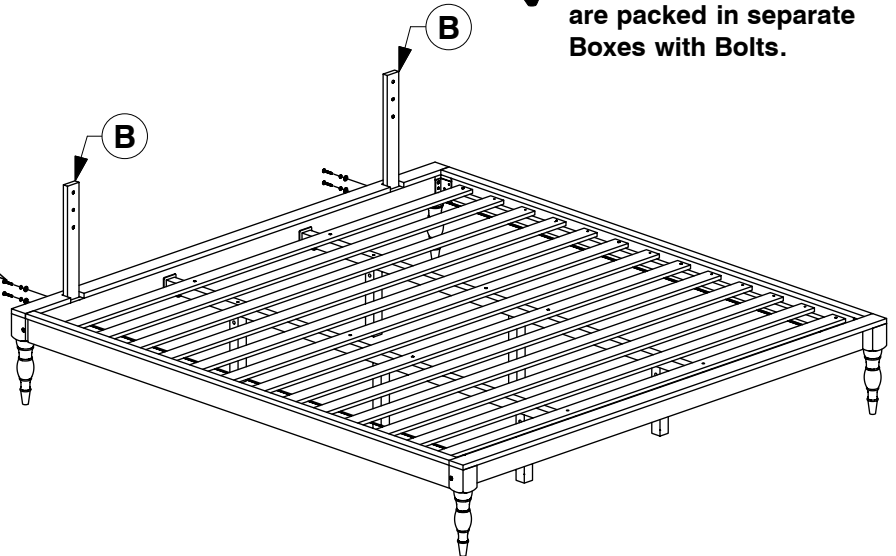
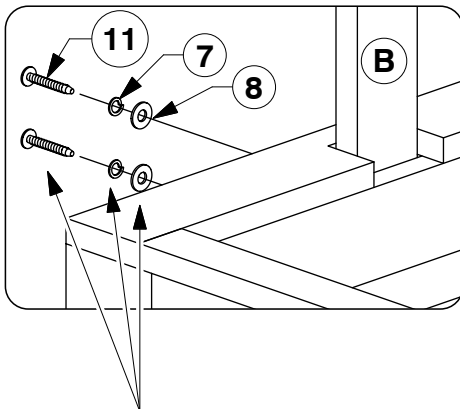
3 Flat Washer x 6



4 Allen Key x 1

Note: Do not assemble using power tools. This can cause the bolts to be overtightened

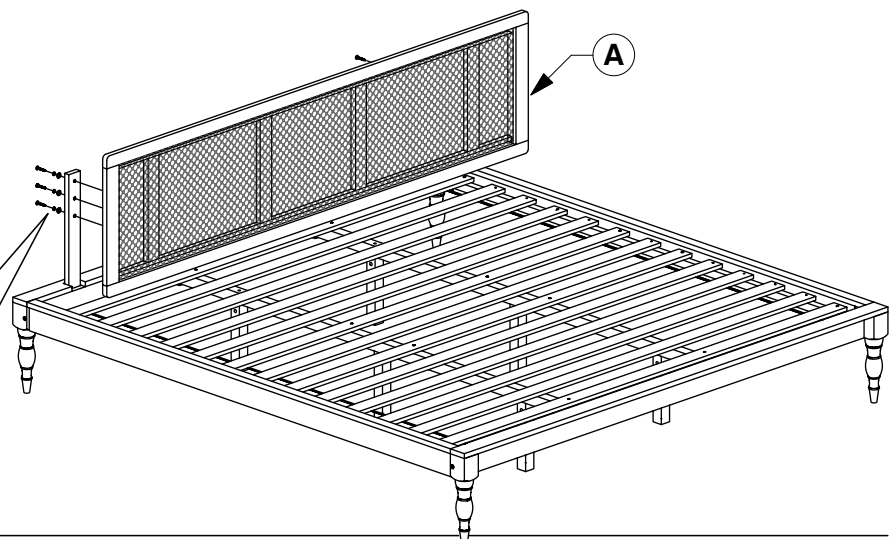
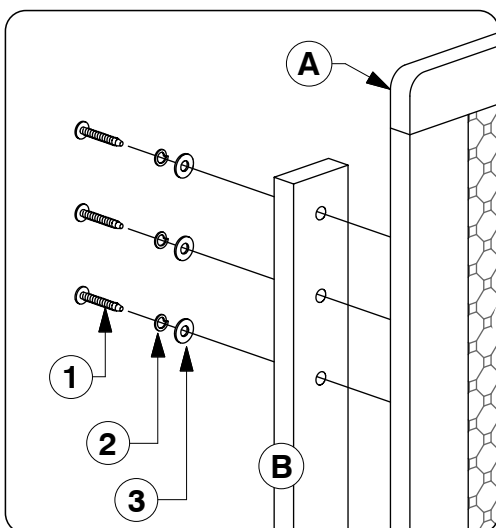
3 Assemble the Support Bars (B) to the Headboard Panel.



✓ Footboard, Rails & Slats are packed in separate Boxes with Bolts.

Note: Bolts & Washers from Footboard, Rails & Slats Box.

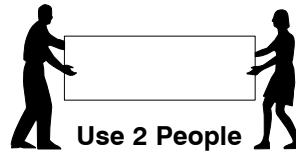
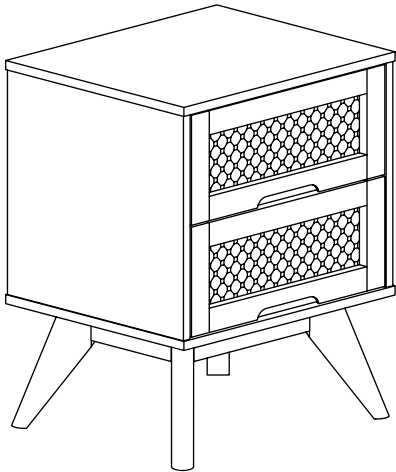
4 Assemble the Headboard Panel (A) to the Support Bars (B).



9001 2 Drawer Nightstand

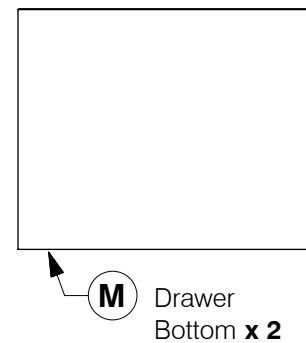
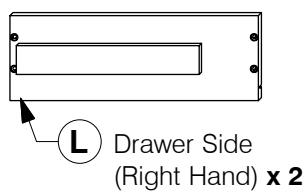
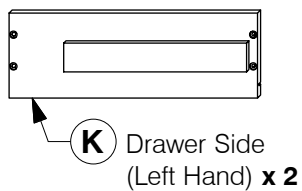
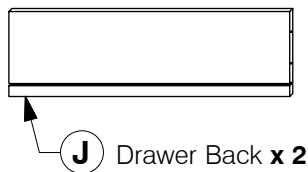
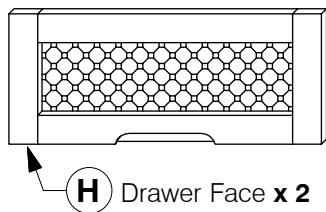
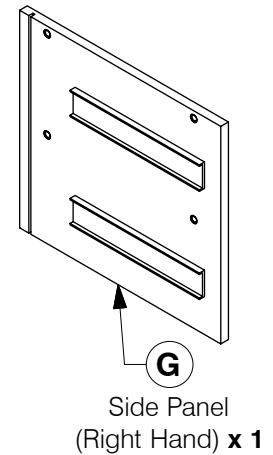
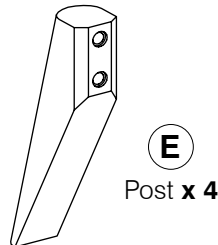
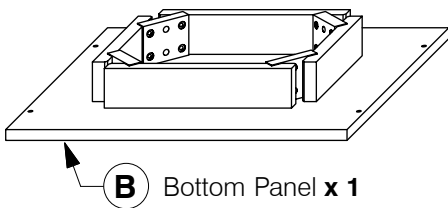
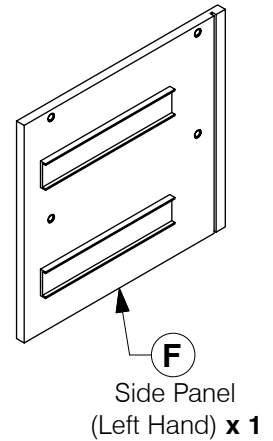
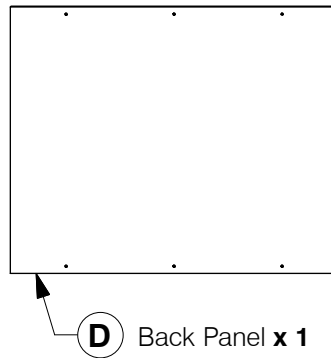
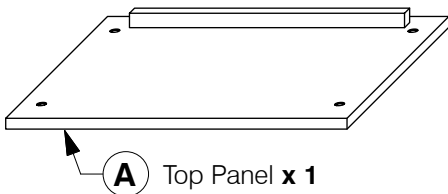
Assembly Instructions

WI-1220



Note: Do not assemble using power tools. This can cause the bolts to be overtightened

1 Parts List



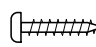
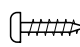

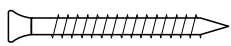






9001 2 Drawer Nightstand

Assembly Instructions

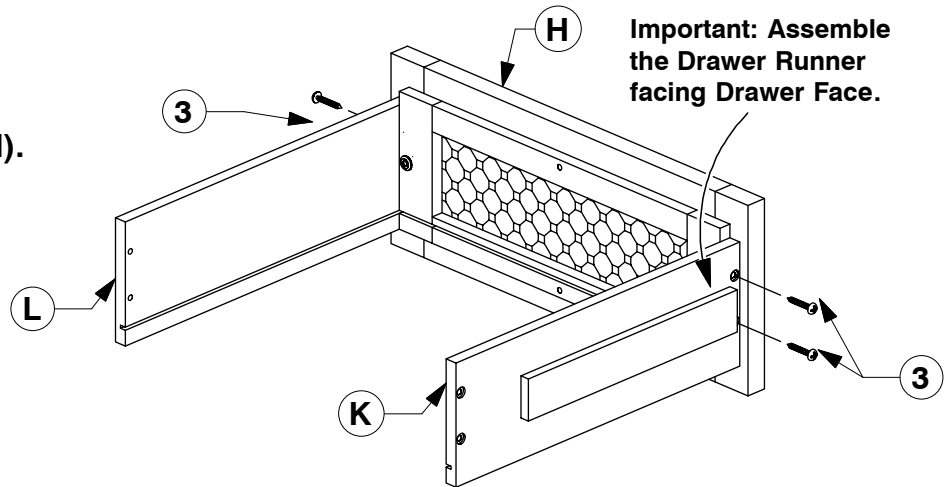
WI-1220

2 Hardware List

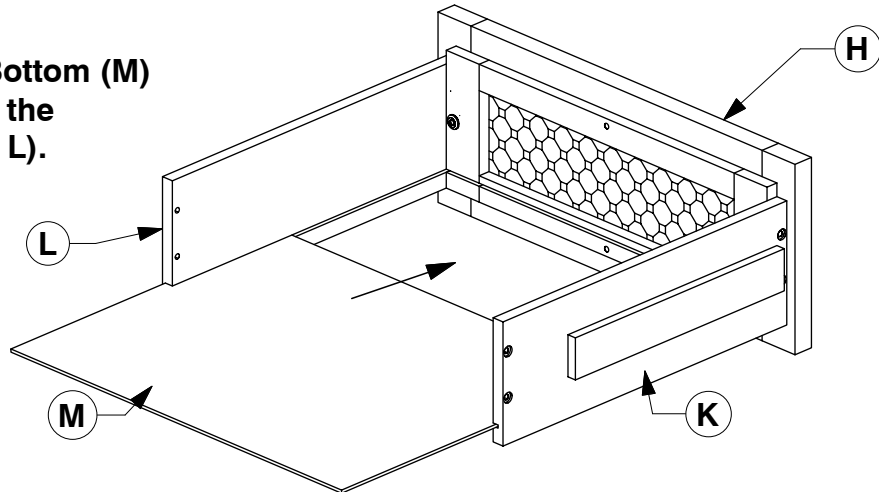
- | | | | | |
|--|---|---|--|--|
| 
① M6 x 15mm
JCB x 16 | 
② M6 x 60mm
JCB x 8 | 
③ M4 x 25mm
Wood Screw x 16 | 
④ M4 x 20mm
Wood Screw x 4 | 
⑤ M4 x 16mm
Wood Screw x 6 |
| 
⑥ CSK Cap Wood Screw
(M6 x 50mm) x 4 | 
⑦ Spring
Washer x 8 | 
⑧ Flat Washer
x 8 | 
⑨ 'L' Bracket
(5005-3) x 8 | 
⑩ Allen Key
x 1 |

3 Assemble the Drawer Sides (K & L) to the Drawer Face (H).

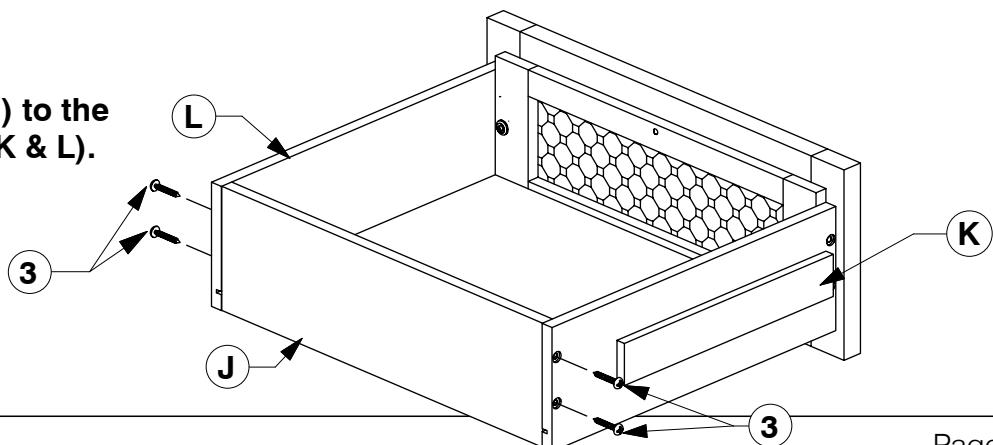
x2



4 Slide the Drawer Bottom (M) into the groove on the Drawer Sides (K & L).



5 Assemble the Drawer Back (J) to the Drawer Sides (K & L).

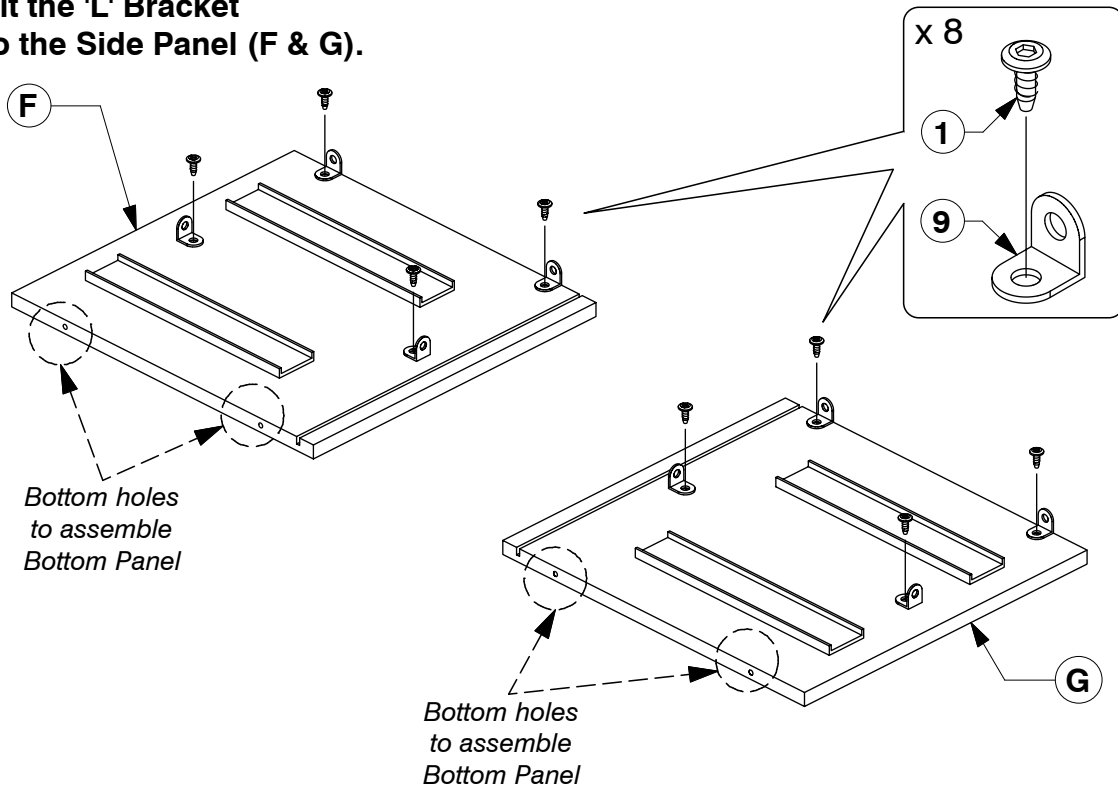


9001 2 Drawer Nightstand

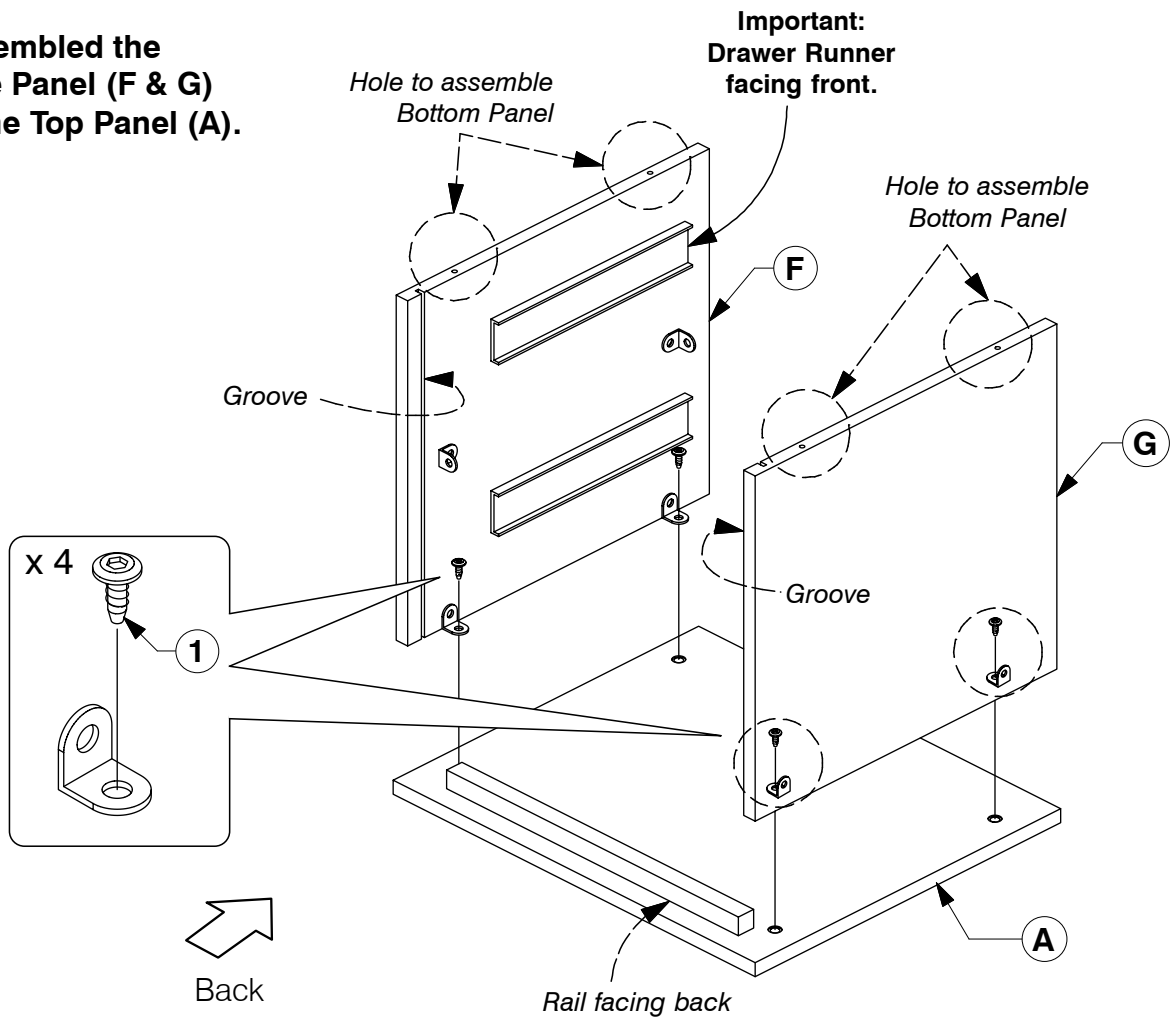
Assembly Instructions

WI-1220

6 Fit the 'L' Bracket to the Side Panel (F & G).



7 Assembled the Side Panel (F & G) to the Top Panel (A).

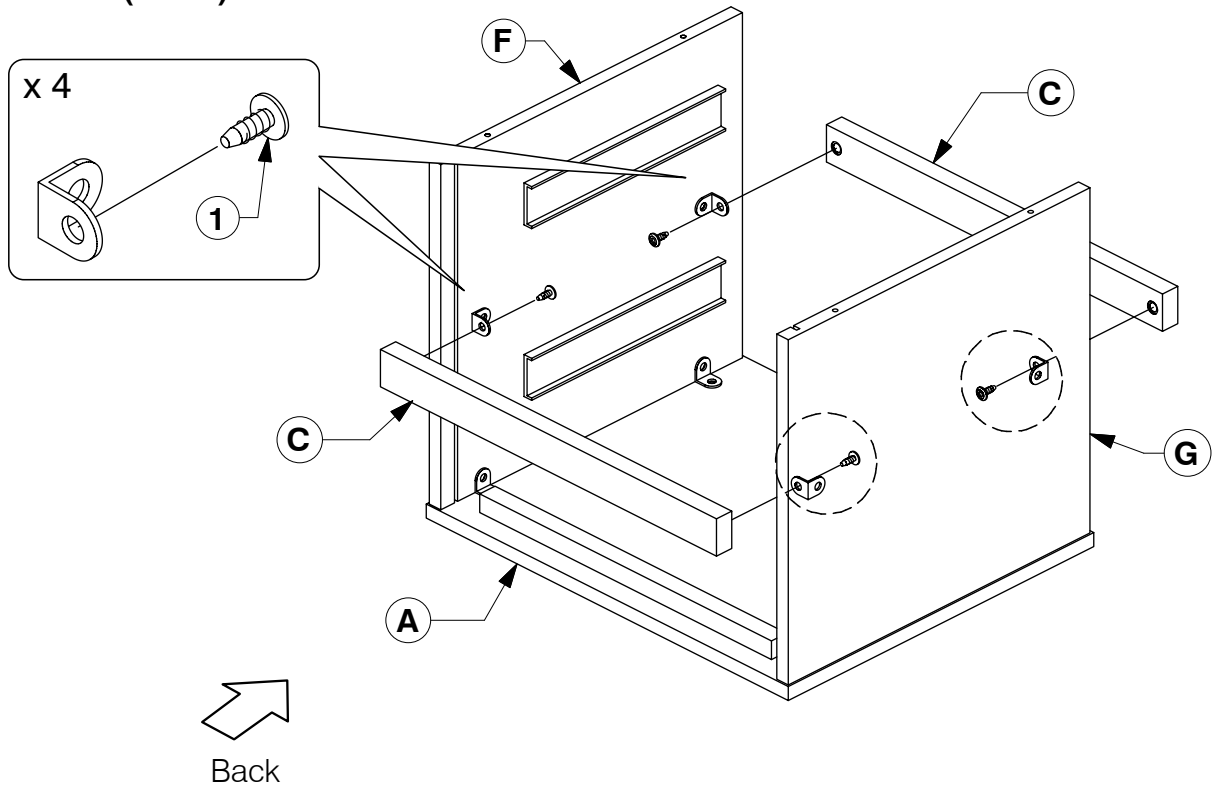


9001 2 Drawer Nightstand

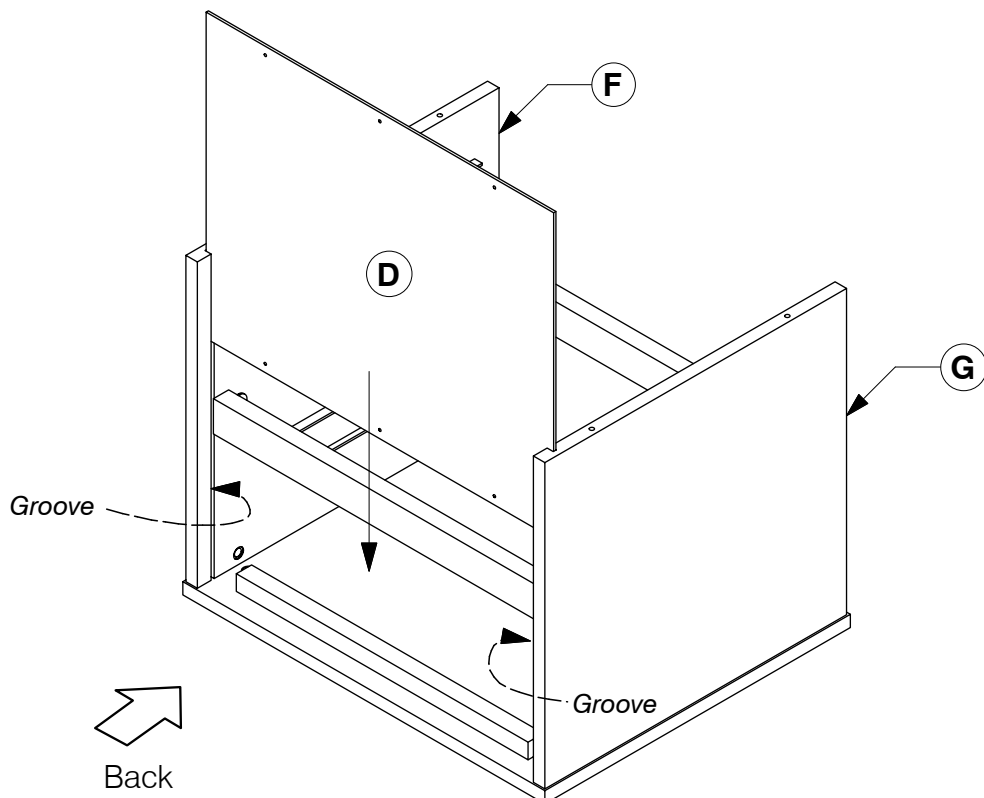
Assembly Instructions

WI-1220

- 8** Fit the Support Bar (C) to the Side Panel (F & G).



- 9** Slide the Back Panel (D) into the groove on the back of the Side Panel (F & G).

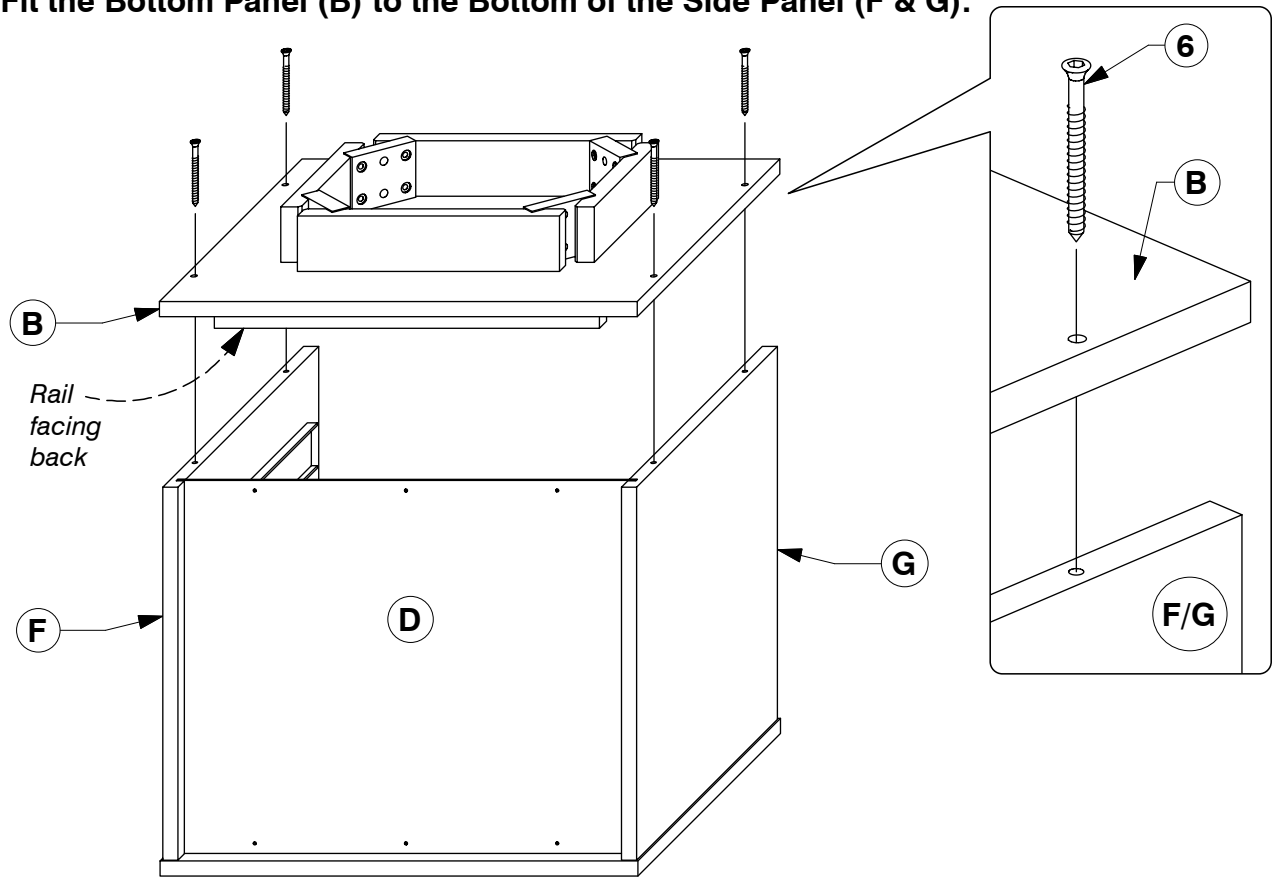


9001 2 Drawer Nightstand

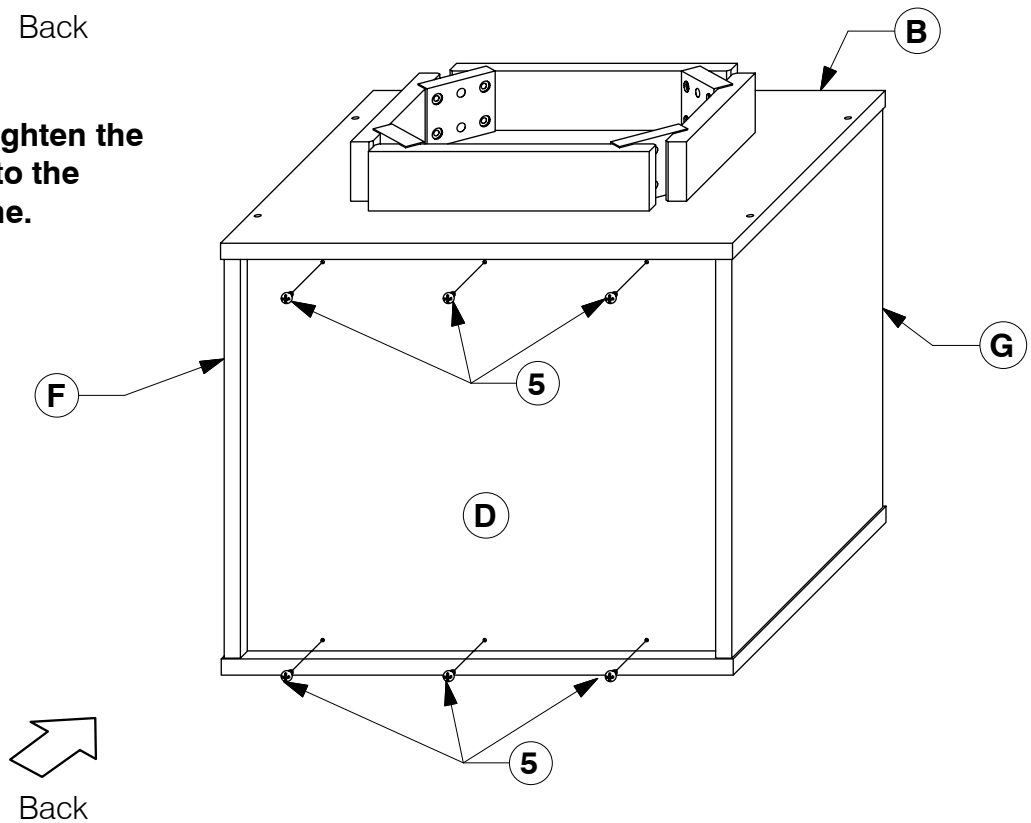
Assembly Instructions

WI-1220

- 10** Fit the Bottom Panel (B) to the Bottom of the Side Panel (F & G).



- 11** Use screws to tighten the Back Panel (D) to the back of the frame.

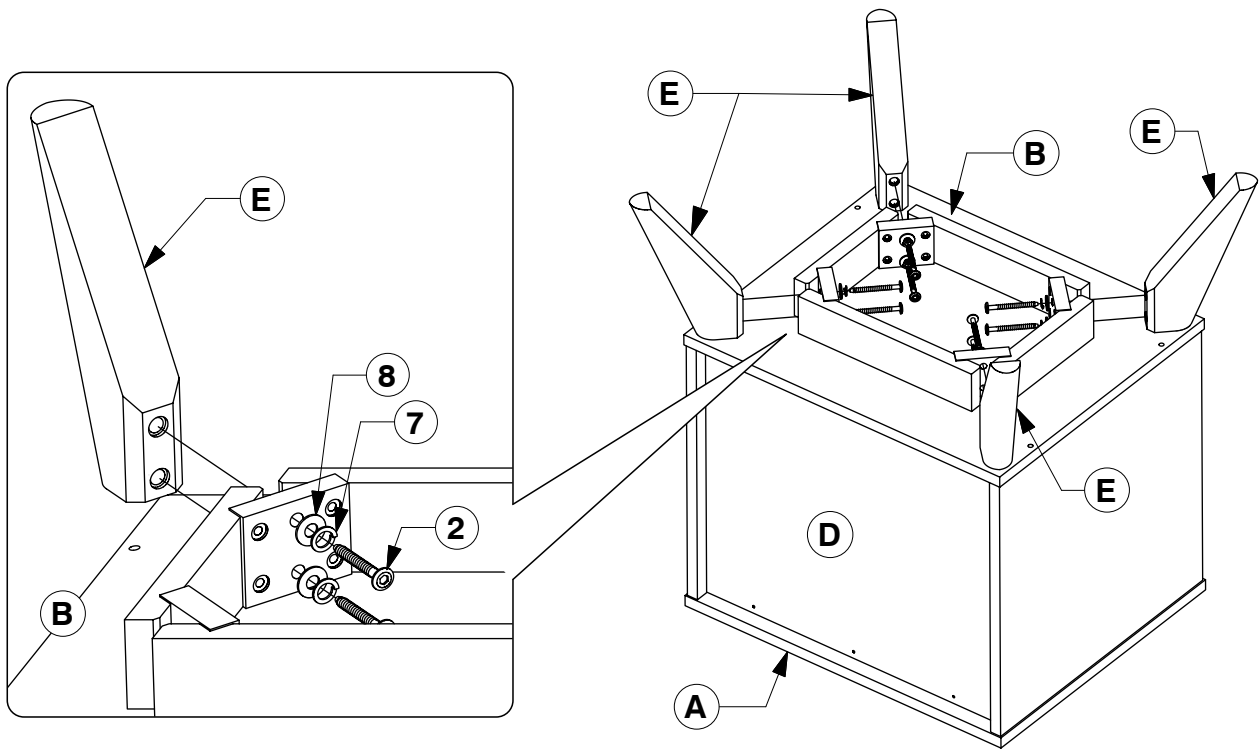


9001 2 Drawer Nightstand

Assembly Instructions

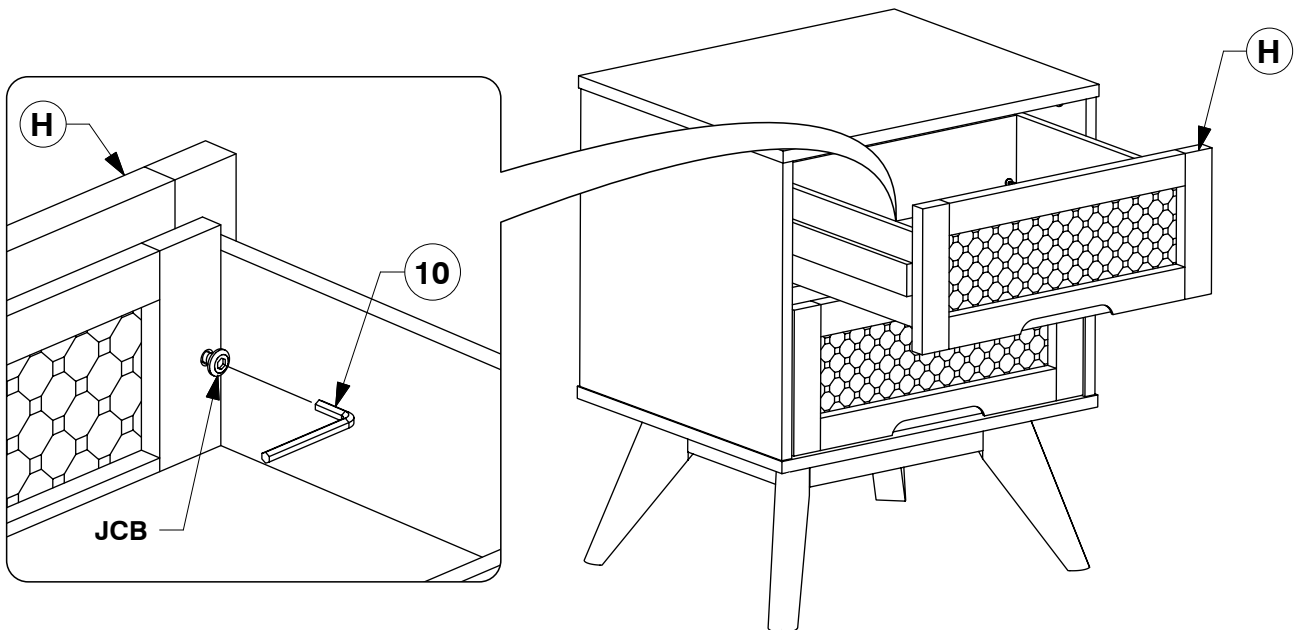
WI-1220

12 Fit the Post (E) to the Bottom Panel (B).



13 Fit and adjust the Drawer Face (H).

* NOTE: Before fitting the Wood Screws.
Loosen the JCBs on the Drawer Face if
the face needs alignment.

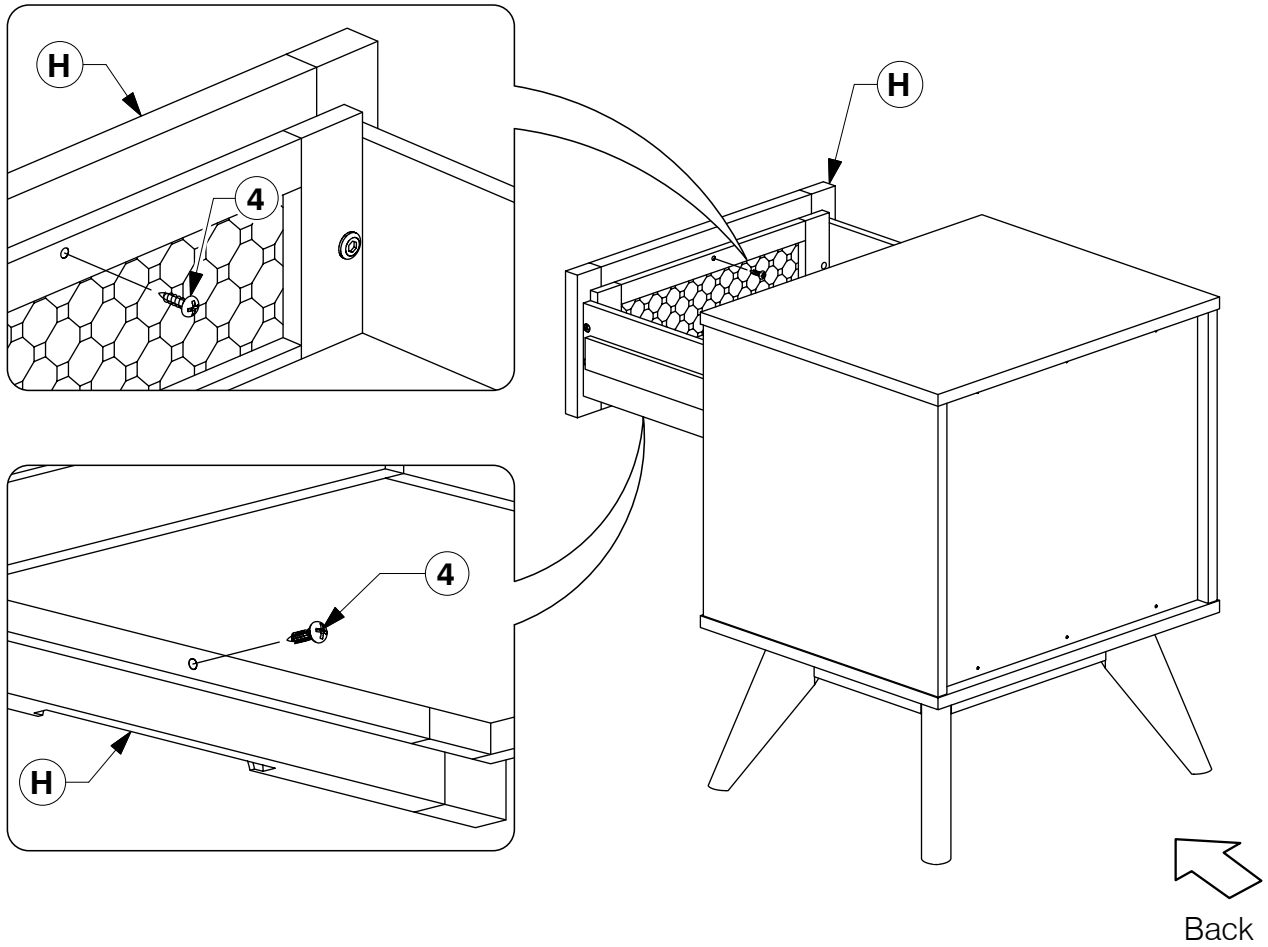


9001 2 Drawer Nightstand

Assembly Instructions

WI-1220

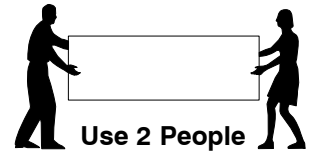
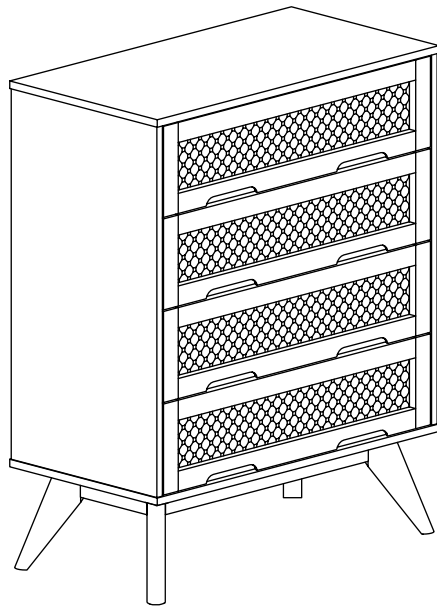
- 14** After the Drawer Faces (H) are aligned, secure with wood screws.



9001 4 Drawer Chest

Assembly Instructions

WI-1220



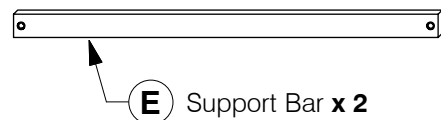
Note: Do not assemble using power tools. This can cause the bolts to be overtightened

1 Parts List

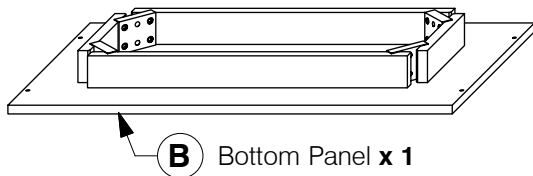
Parts in Box A:



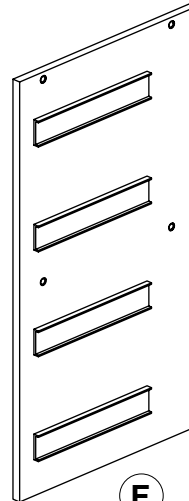
A Top Panel x 1



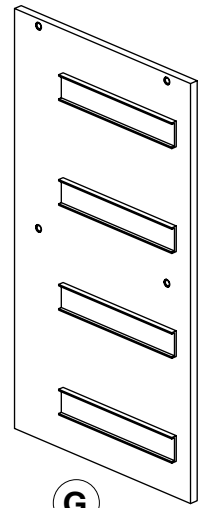
E Support Bar x 2



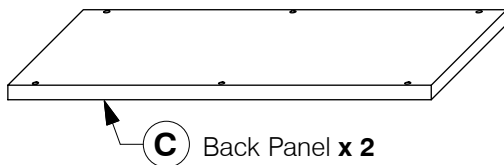
B Bottom Panel x 1



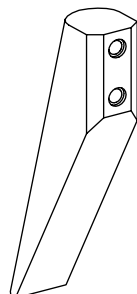
F Side Panel (Left Hand) x 1



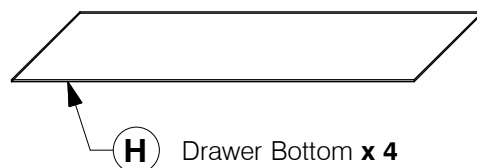
G Side Panel (Right Hand) x 1



C Back Panel x 2



D Post x 4



H Drawer Bottom x 4

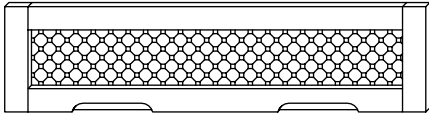
9001 4 Drawer Chest

Assembly Instructions

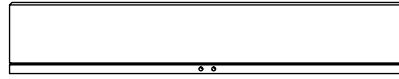
WI-1220

1 Parts List

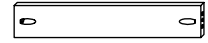
Parts in Box B:



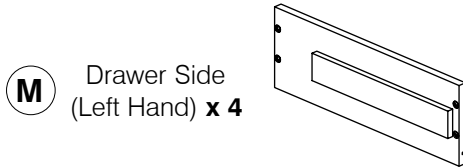
J Drawer Face x 4



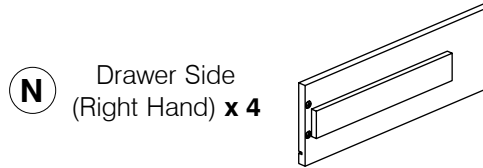
K Drawer Back x 4



L Drawer Rail x 4



M Drawer Side (Left Hand) x 4



N Drawer Side (Right Hand) x 4

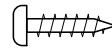
2 Hardware List



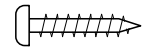
1 M6 x 15mm JCB x 16



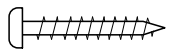
2 M6 x 60mm JCB x 8



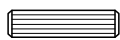
3 M4 x 20mm Wood Screw x 16



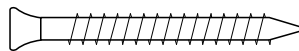
4 M4 x 25mm Wood Screw x 40



5 M4 x 32mm Wood Screw x 12



6 M6 x 25mm Wood Dowel x 16



7 CSK Cap Wood Screw (M6 x 50mm) x 4



8 'L' Bracket (5005-3) x 8



9 Spring Washer x 8



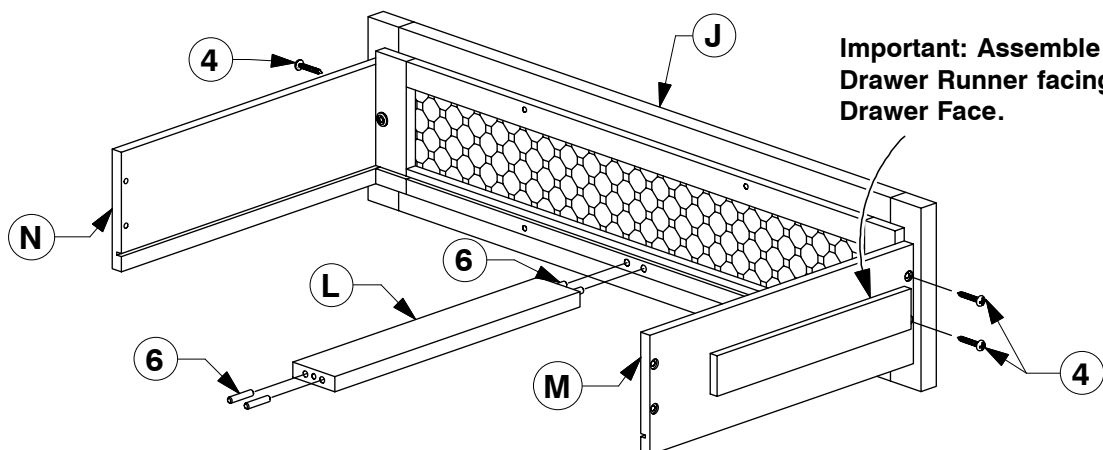
10 Flat Washer x 8



11 Allen Key x 1

3 Assemble the Drawer Sides (M & N) & Drawer Rail (L) to the Drawer Face (J).

x4



Important: Assemble the Drawer Runner facing Drawer Face.

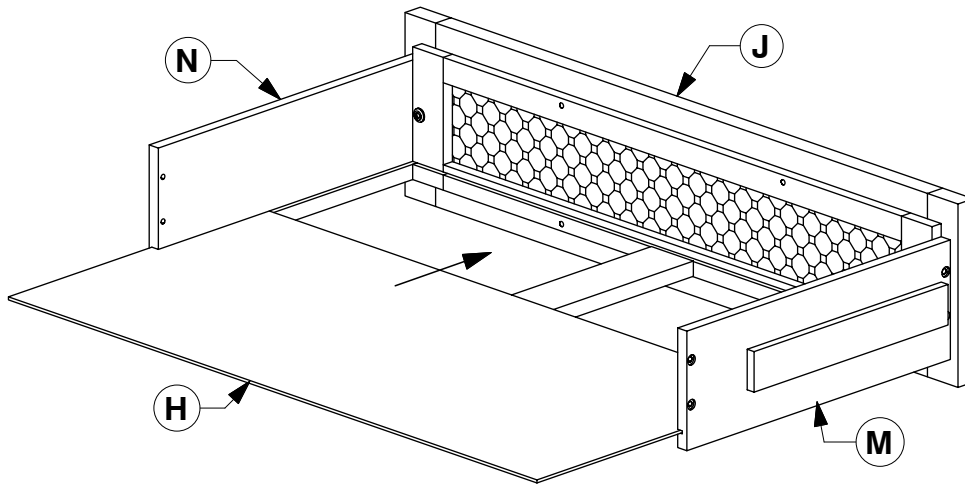
9001 4 Drawer Chest

Assembly Instructions

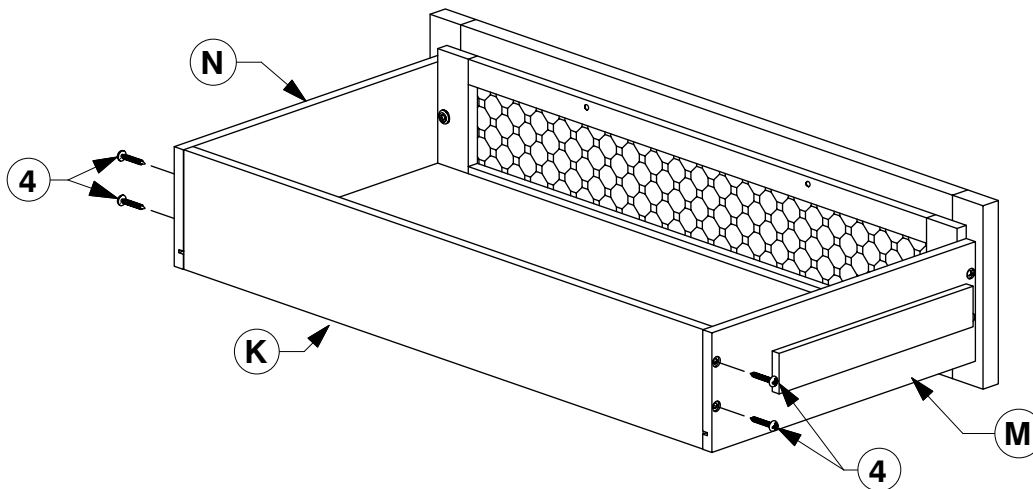
WI-1220

- 4** Slide the Drawer Bottom (H) into the groove on the Drawer Sides (M & N).

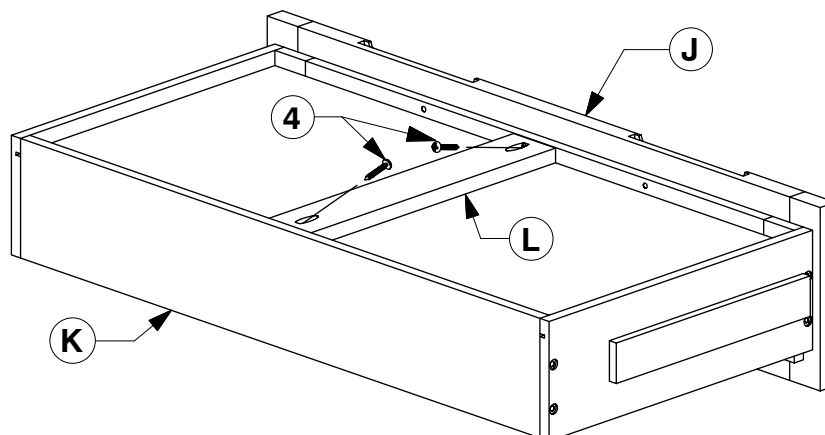
x4



- 5** Assemble the Drawer Back (K) to the Drawer Sides (M & N).



- 6** Turn the Drawer over to fit angled 25mm Wood screws (4) to the Drawer Rail (L).

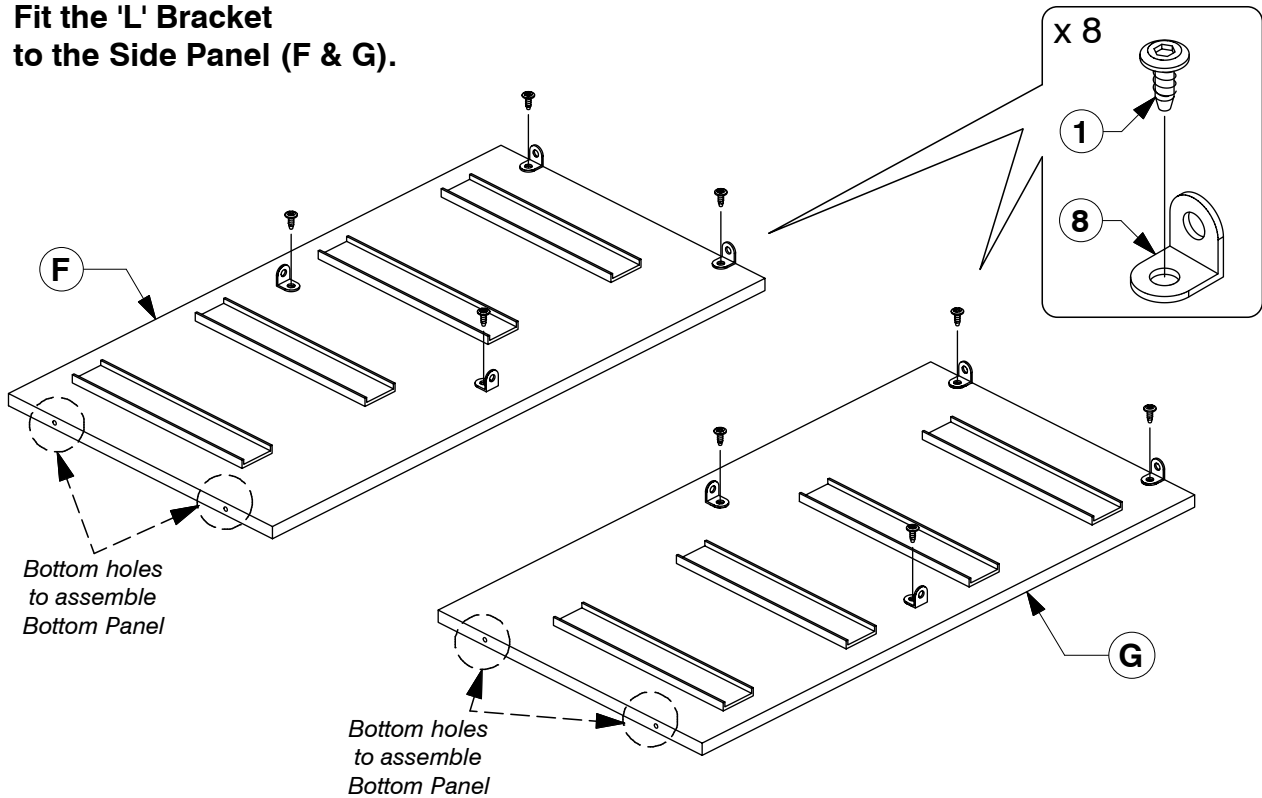


9001 4 Drawer Chest

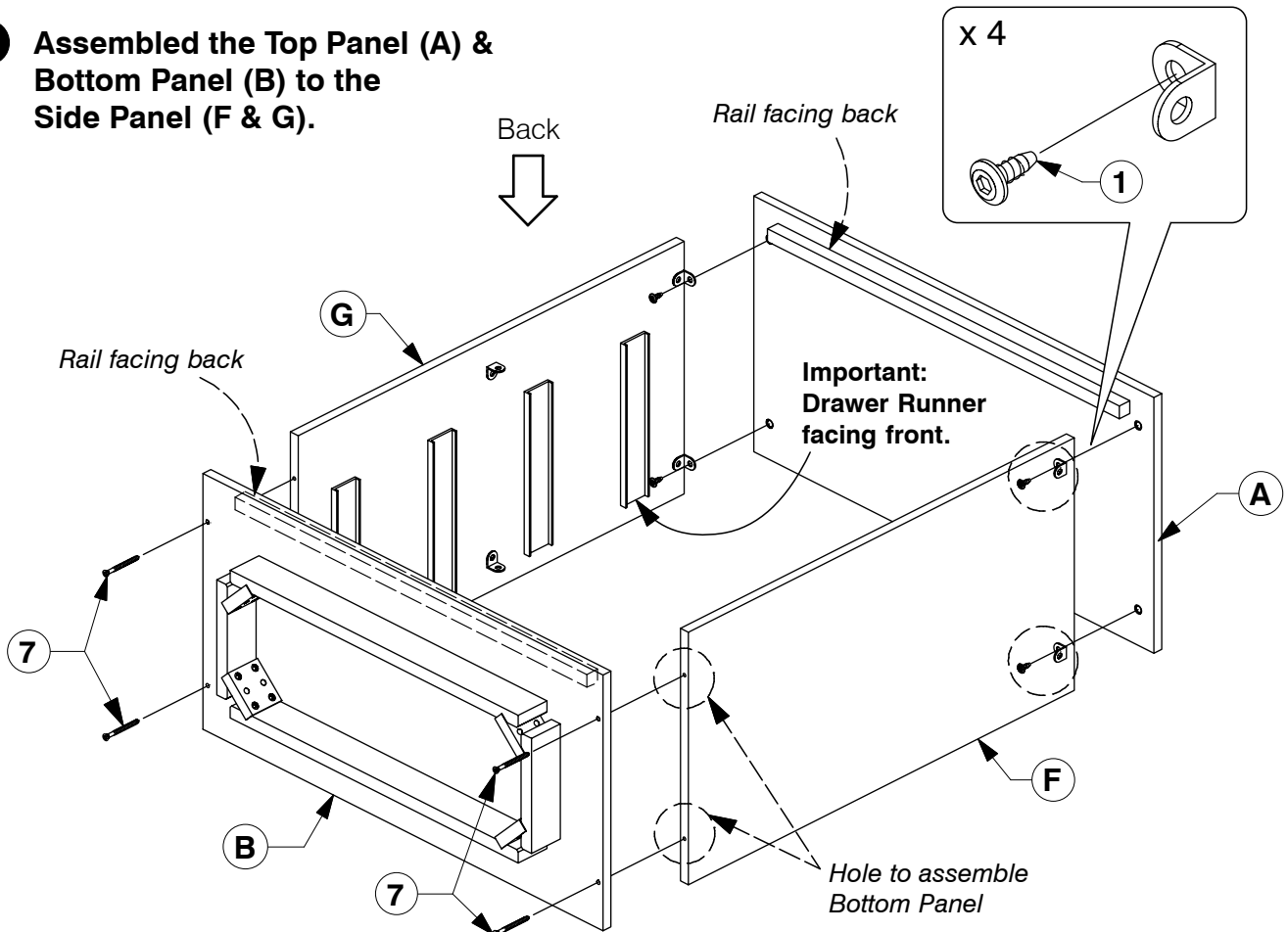
Assembly Instructions

WI-1220

- 7** Fit the 'L' Bracket to the Side Panel (F & G).



- 8** Assemble the Top Panel (A) & Bottom Panel (B) to the Side Panel (F & G).

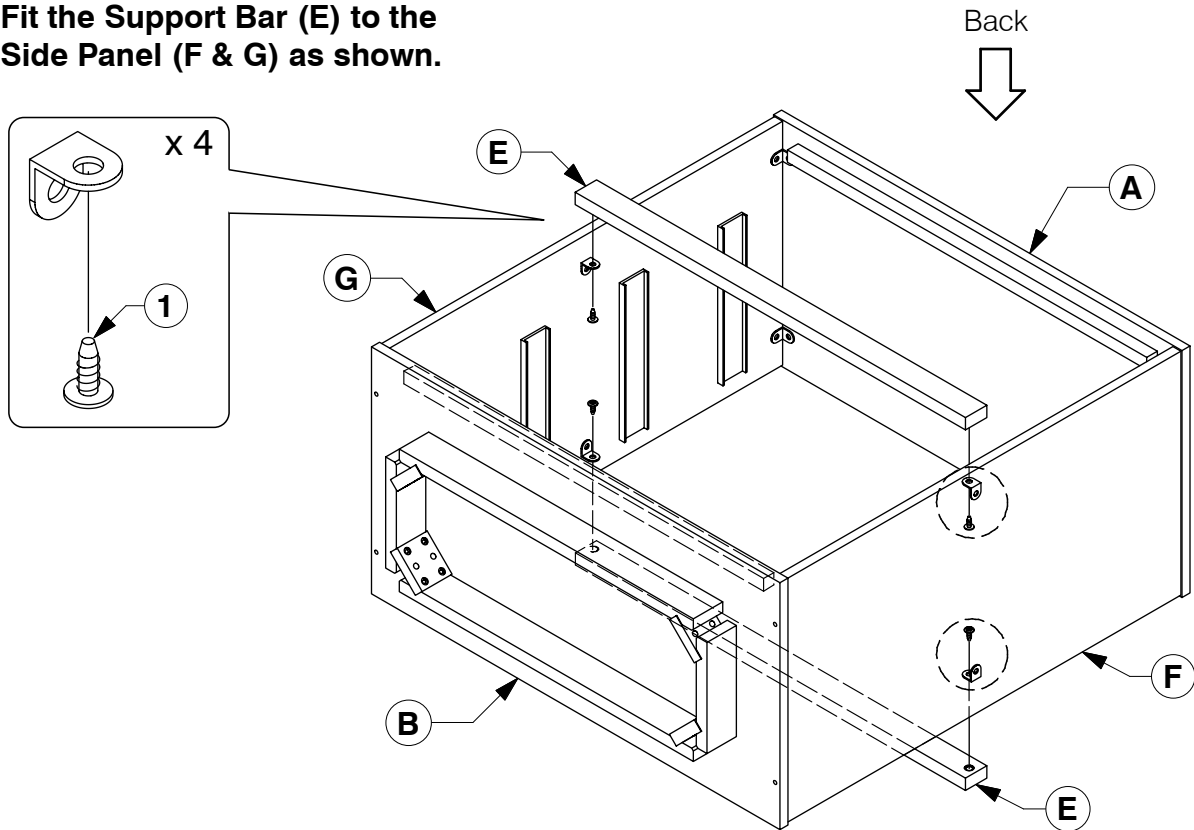


9001 4 Drawer Chest

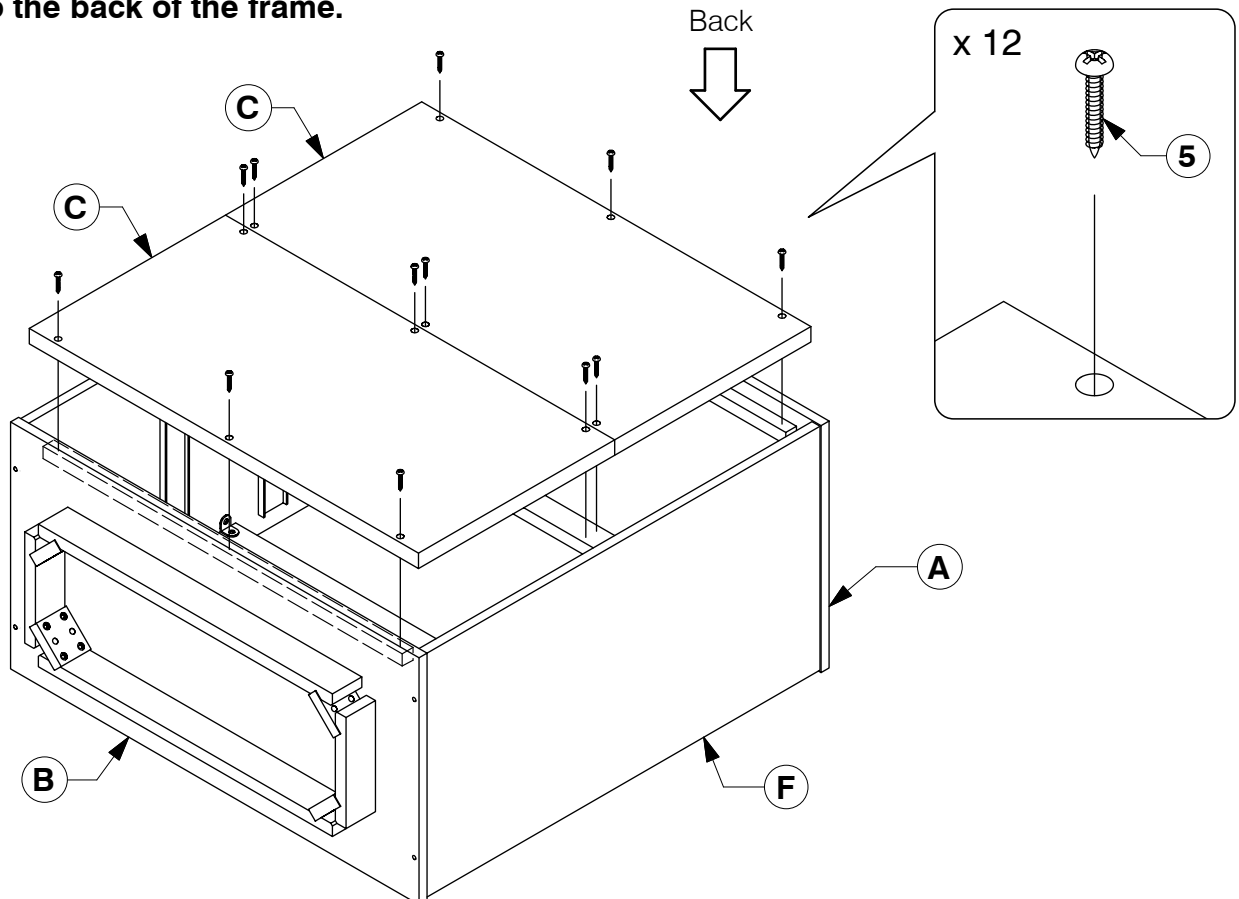
Assembly Instructions

WI-1220

- 9** Fit the Support Bar (E) to the Side Panel (F & G) as shown.



- 10** Attached the Back Panel (C) to the back of the frame.

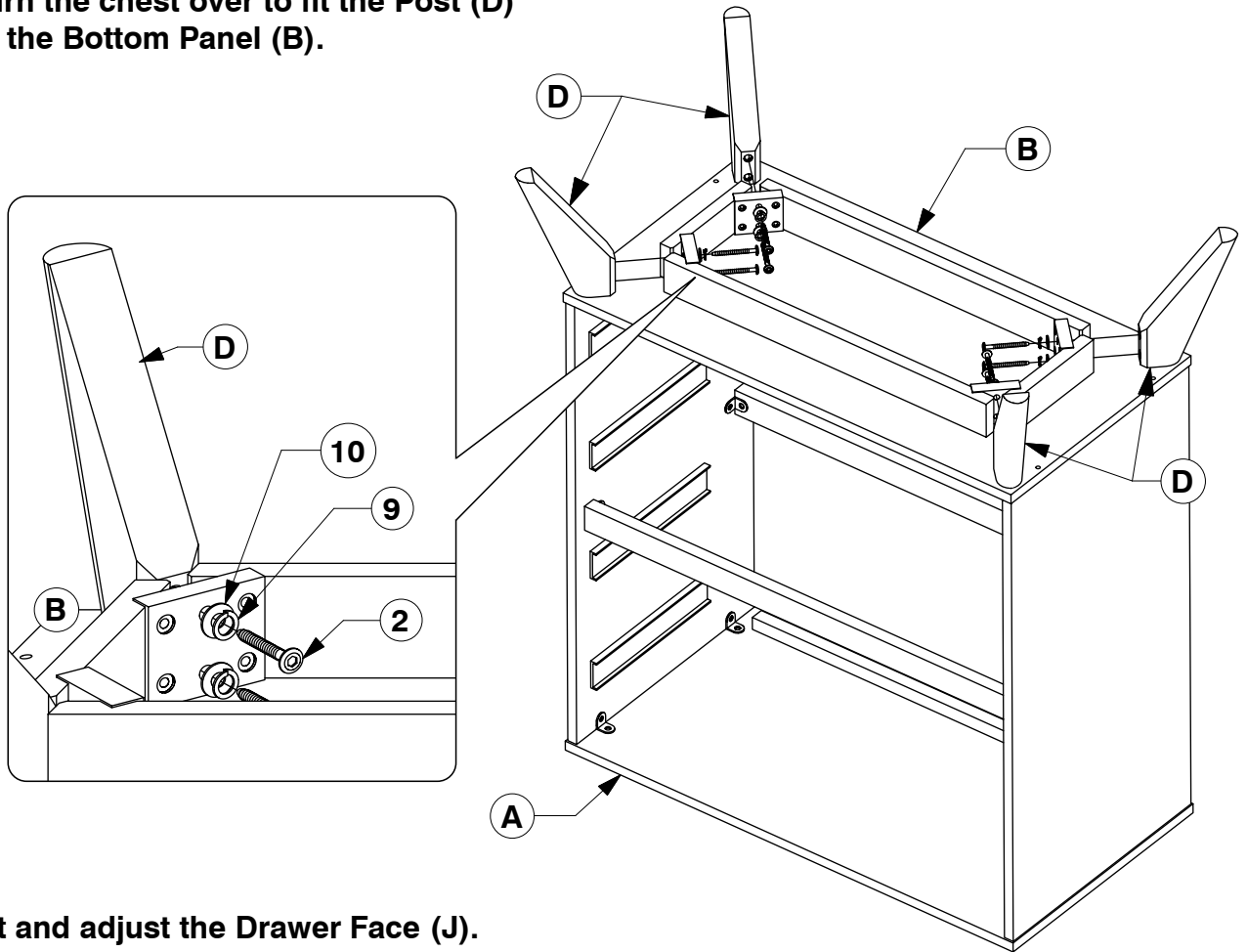


9001 4 Drawer Chest

Assembly Instructions

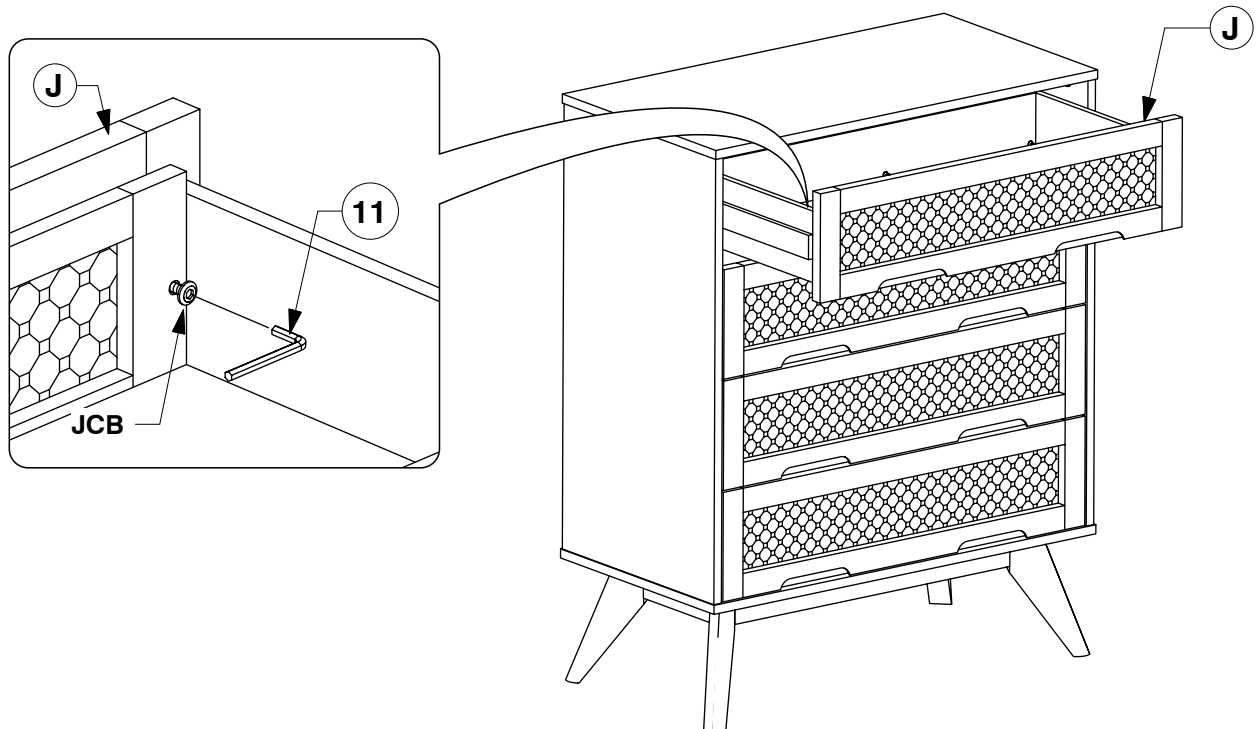
WI-1220

- 11** Turn the chest over to fit the Post (D) to the Bottom Panel (B).



- 12** Fit and adjust the Drawer Face (J).

* NOTE: Before fitting the Wood Screws.
Loosen the JCBs on the Drawer Face if the face needs alignment.

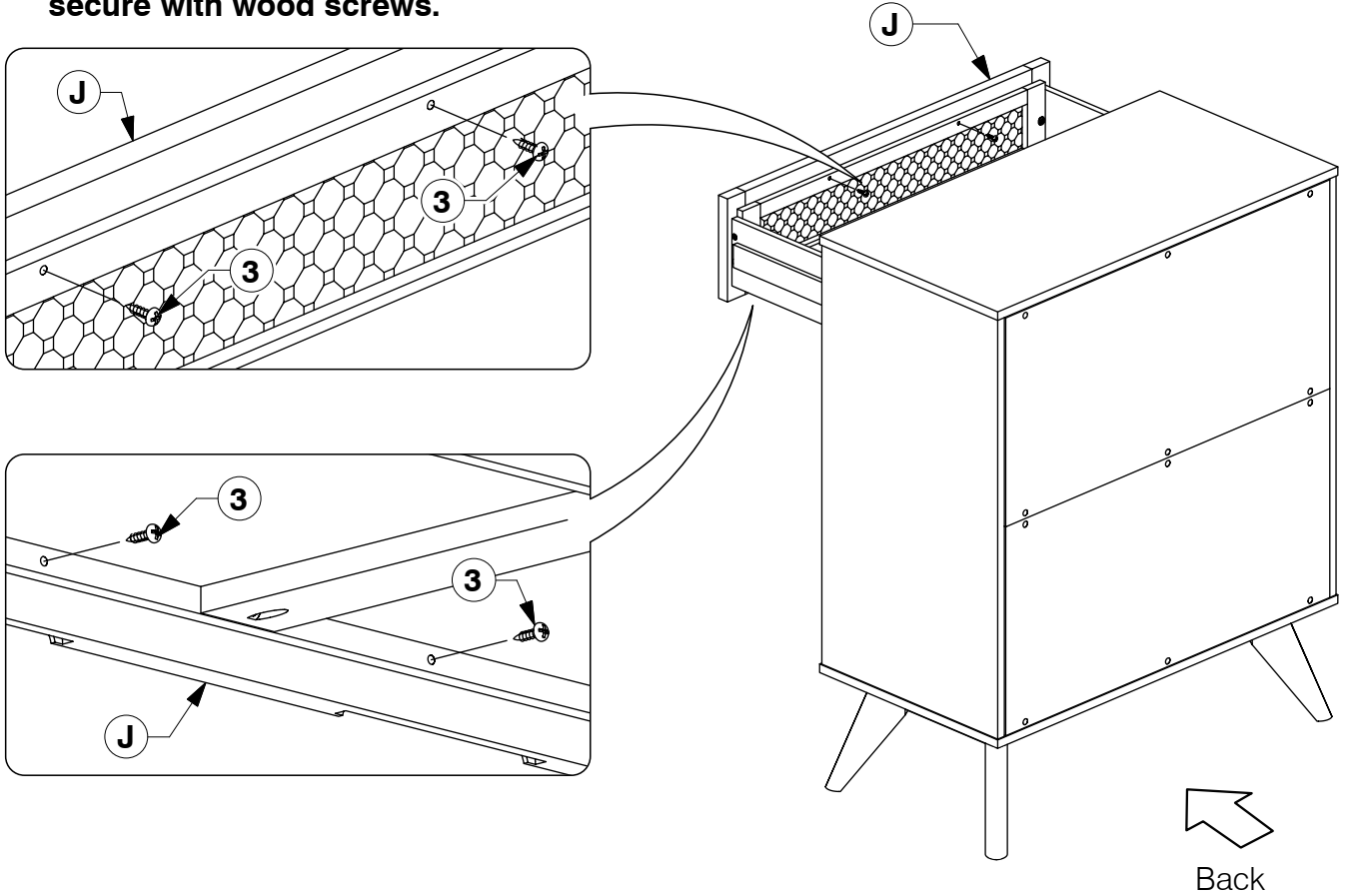


9001 4 Drawer Chest

Assembly Instructions

WI-1220

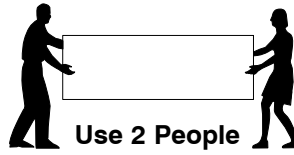
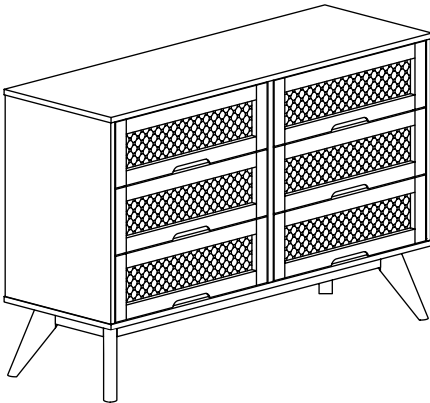
- 13** After the Drawer Faces (J) are aligned, secure with wood screws.



9001 6 Drawer Dresser

Assembly Instructions

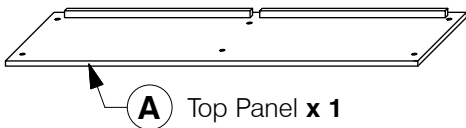
WI-1220



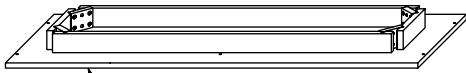
Note: Do not assemble using power tools. This can cause the bolts to be overtightened

1 Parts List

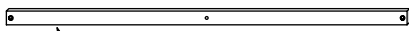
Parts in Box A:



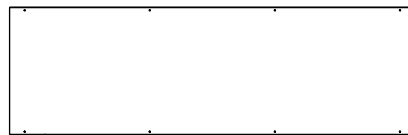
A Top Panel x 1



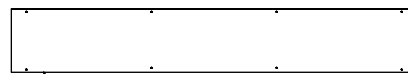
B Bottom Panel x 1



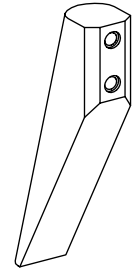
C Support Bar x 2



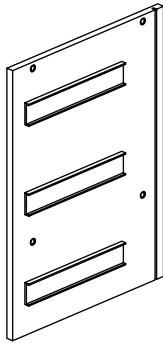
D Back Panel (Wider) x 1



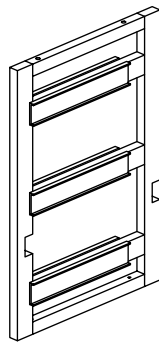
E Back Panel (Narrow) x 1



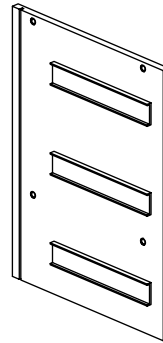
F Post x 4



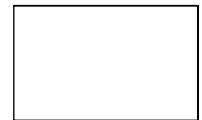
G Side Panel (Left Hand) x 1



H Center Frame x 1

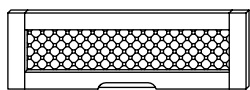


J Side Panel (Right Hand) x 1

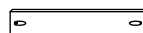


K Drawer Bottom x 6

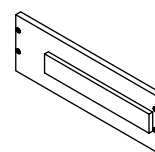
Parts in Box B:



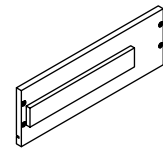
L Drawer Face x 6



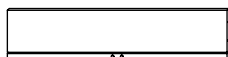
N Drawer Rail x 6



O Drawer Side (Left Hand) x 6



P Drawer Side (Right Hand) x 6



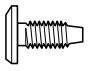


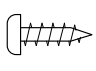
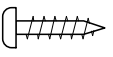
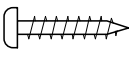

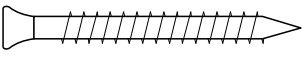


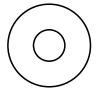

M Drawer Back x 6

9001 6 Drawer Dresser

Assembly Instructions

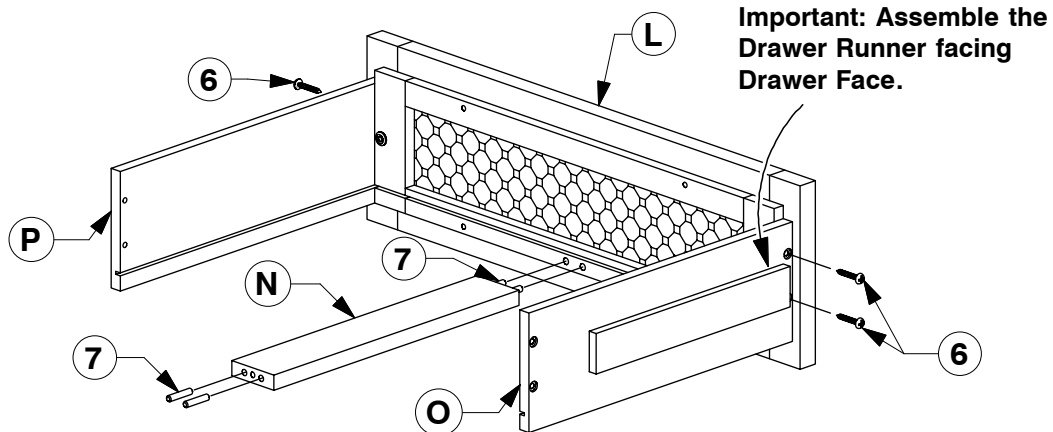
WI-1220

2 Hardware List

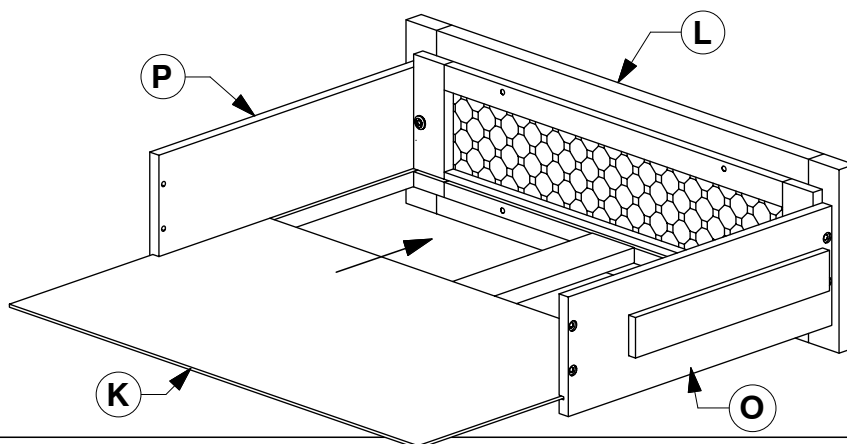
- | | | | |
|--|--|--|--|
| 
1 M6 x 15mm JCB
x 16 | 
2 M6 x 60mm JCB
x 8 | 
3 M6 x 35mm JCB
x 4 | 
4 Wood Screw (M4 x 16mm)
x 16 |
| 
5 Wood Screw (M4 x 20mm)
x 24 | 
6 Wood Screw (M4 x 25mm)
x 60 | 
7 M6 x 25mm Wood Dowel
x 24 | 
8 CSK Cap Wood Screw (M6 x 50mm) x 6 |
| 
9 'L' Bracket (5005-3) x 8 | 
10 Spring Washer x 8 | 
11 Flat Washer x 8 | 
12 Allen Key x 1 |

3 Assemble the Drawer Sides (O & P) & Drawer Rail (N) to the Drawer Face (L).

x6



4 Slide the Drawer Bottom (K) into the groove on the Drawer Sides (O & P).



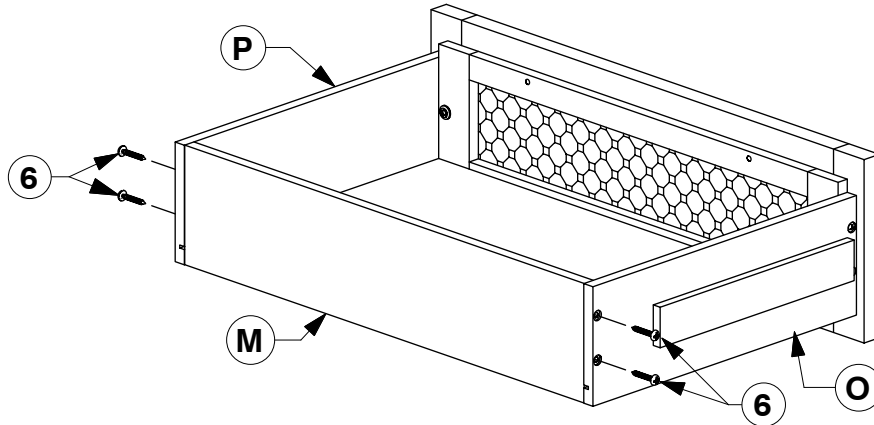
9001 6 Drawer Dresser

Assembly Instructions

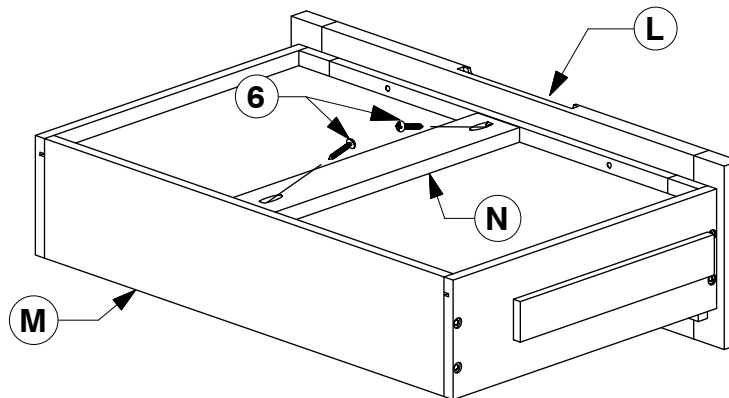
WI-1220

- 5** Assemble the Drawer Back (M) to the Drawer Sides (O & P).

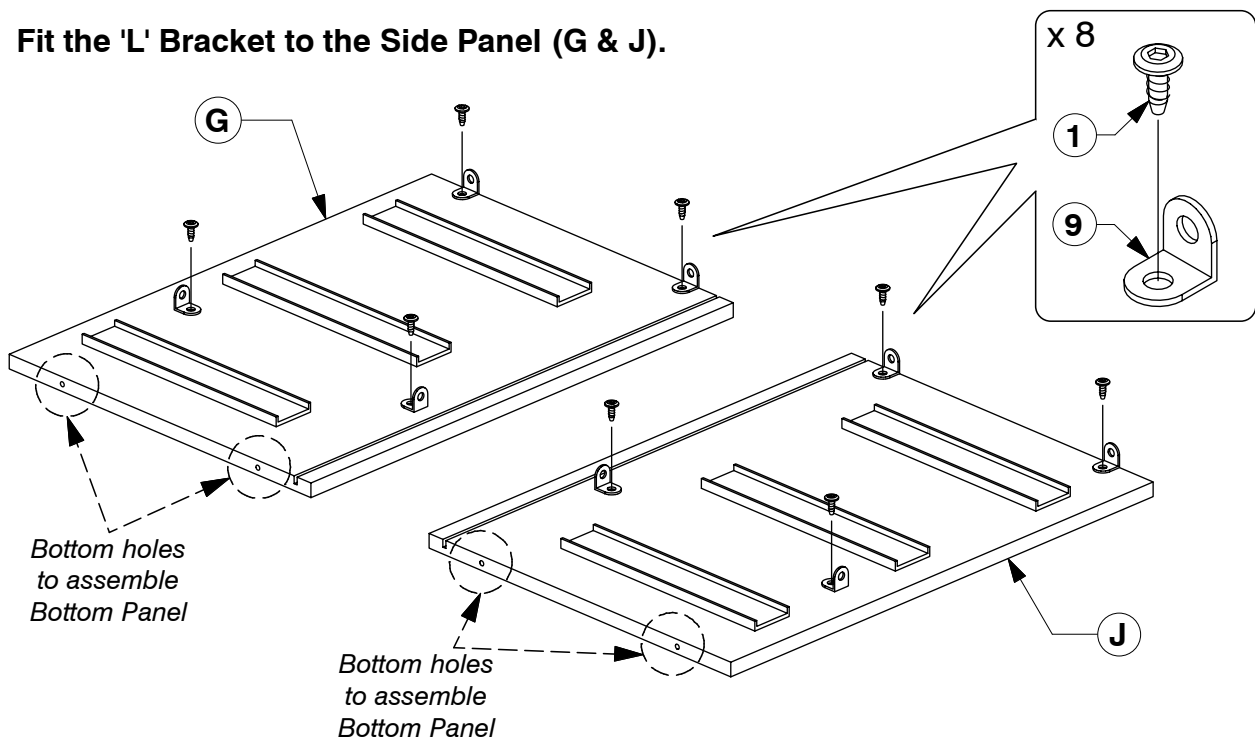
x6



- 6** Turn the Drawer over to fit angled 25mm Wood screws (6) to the Drawer Rail (N).



- 7** Fit the 'L' Bracket to the Side Panel (G & J).

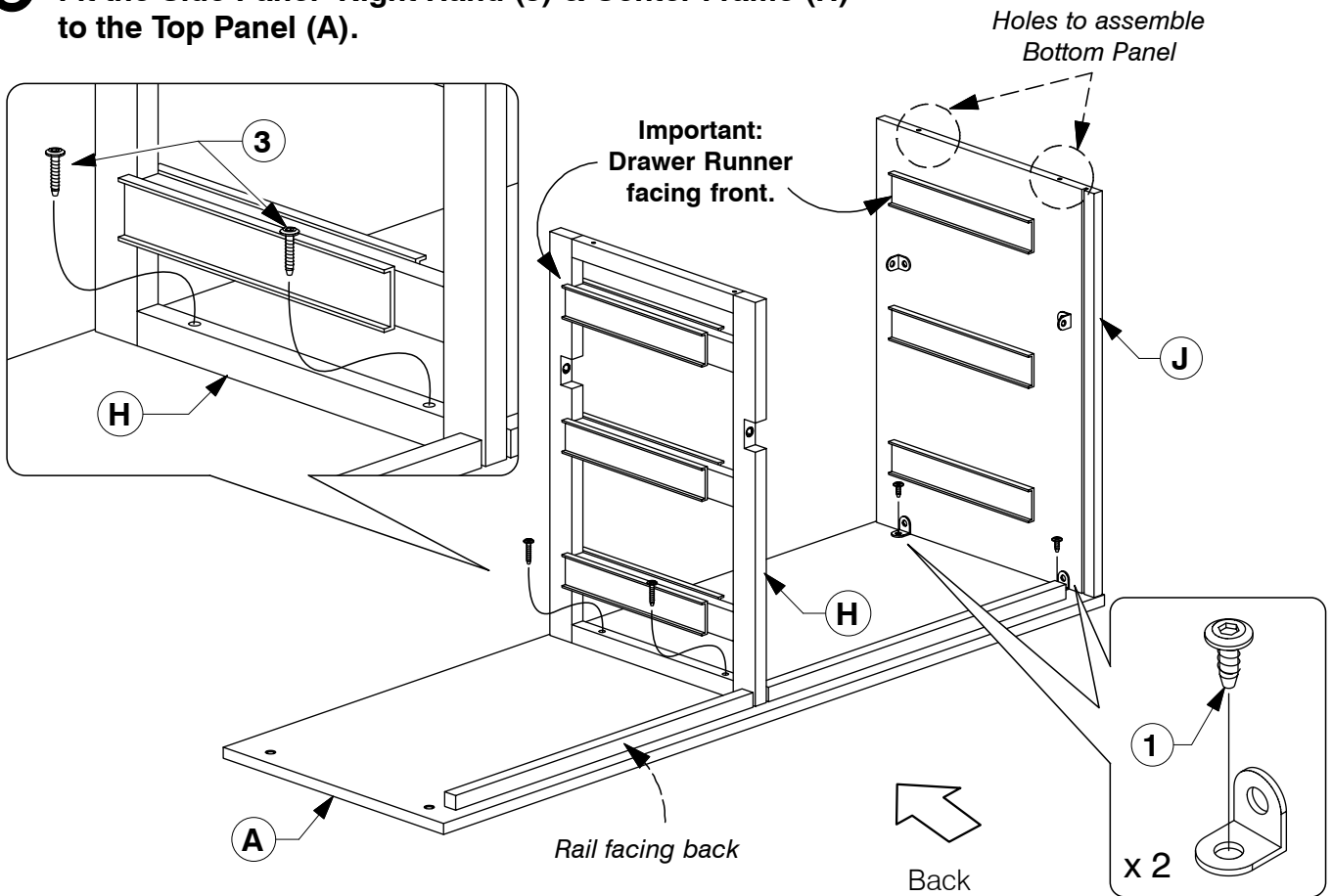


9001 6 Drawer Dresser

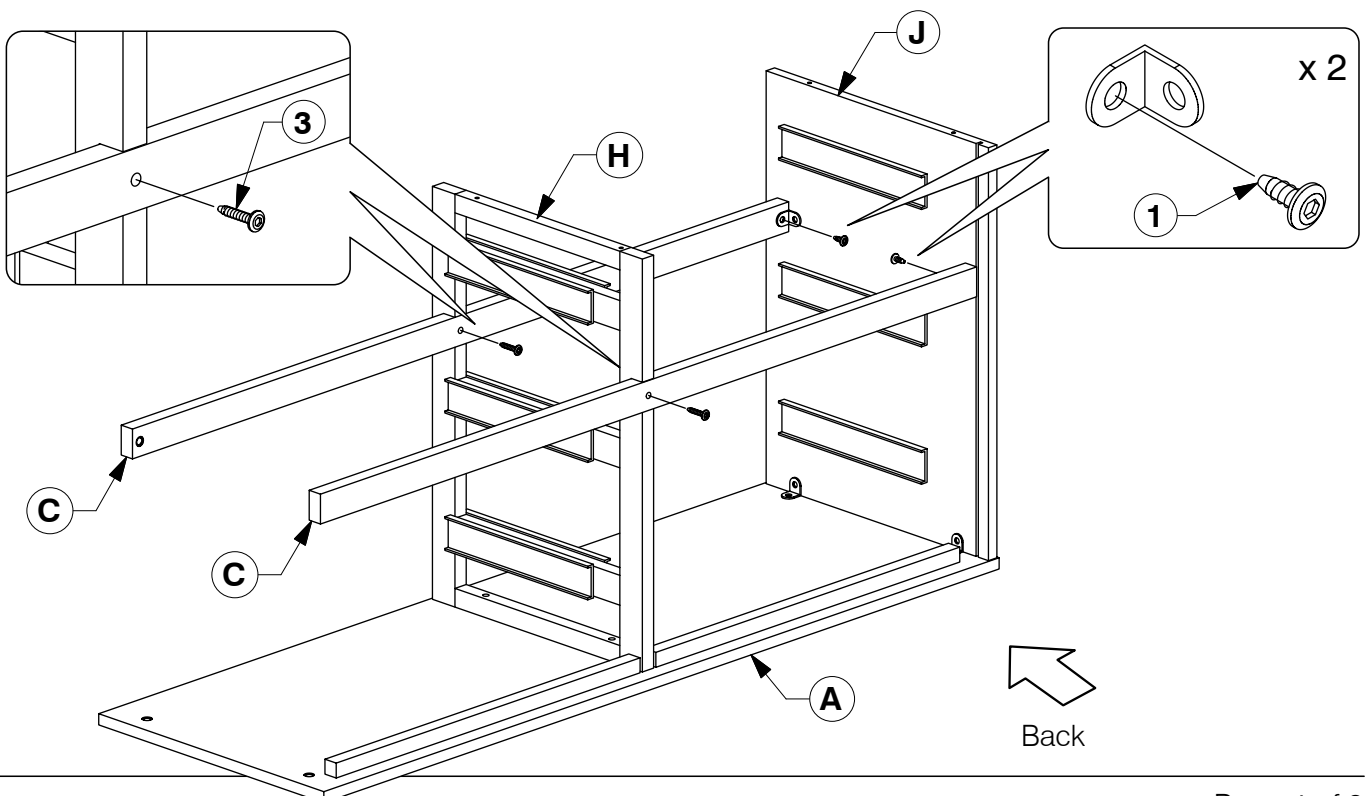
Assembly Instructions

WI-1220

- 8** Fit the Side Panel- Right Hand (J) & Center Frame (H) to the Top Panel (A).



- 9** Fit the Support Bar (C) to the Side Panel- Right Hand (J) & Center Frame (H) as shown.

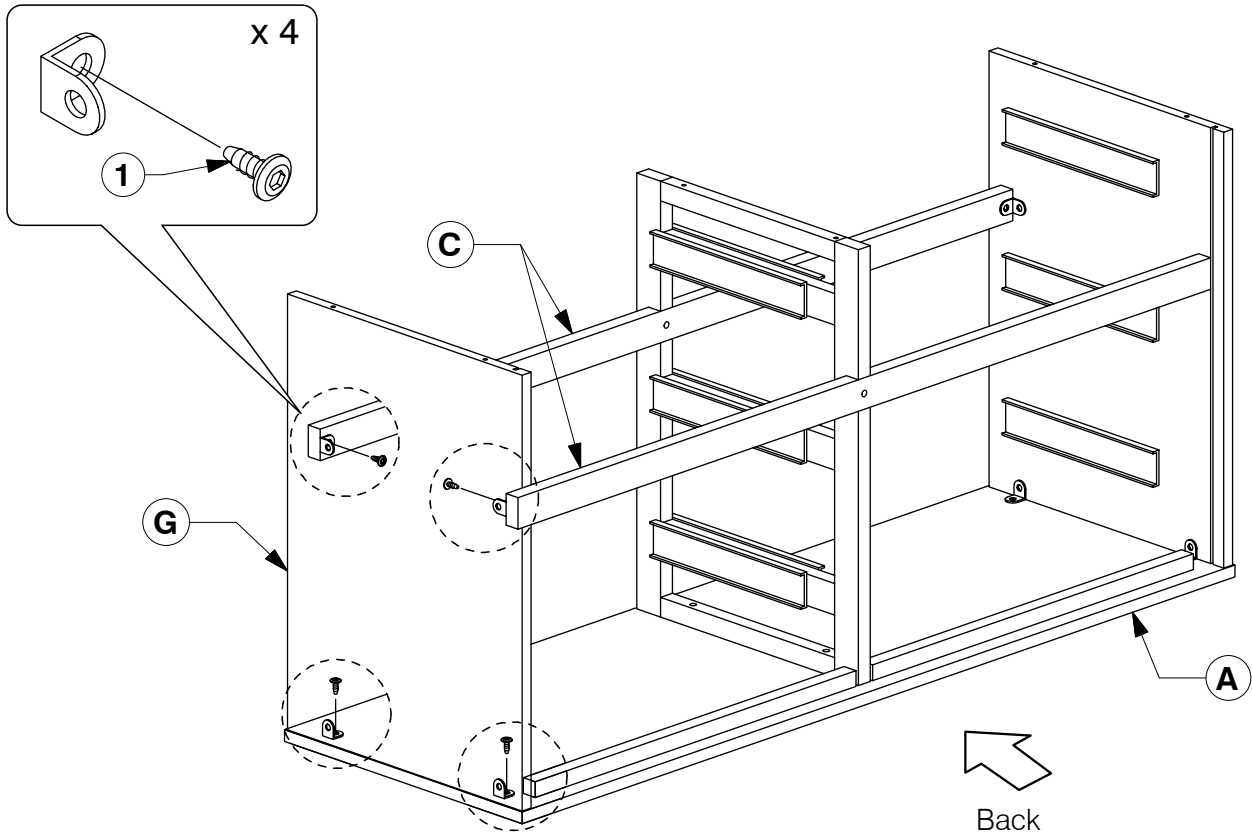


9001 6 Drawer Dresser

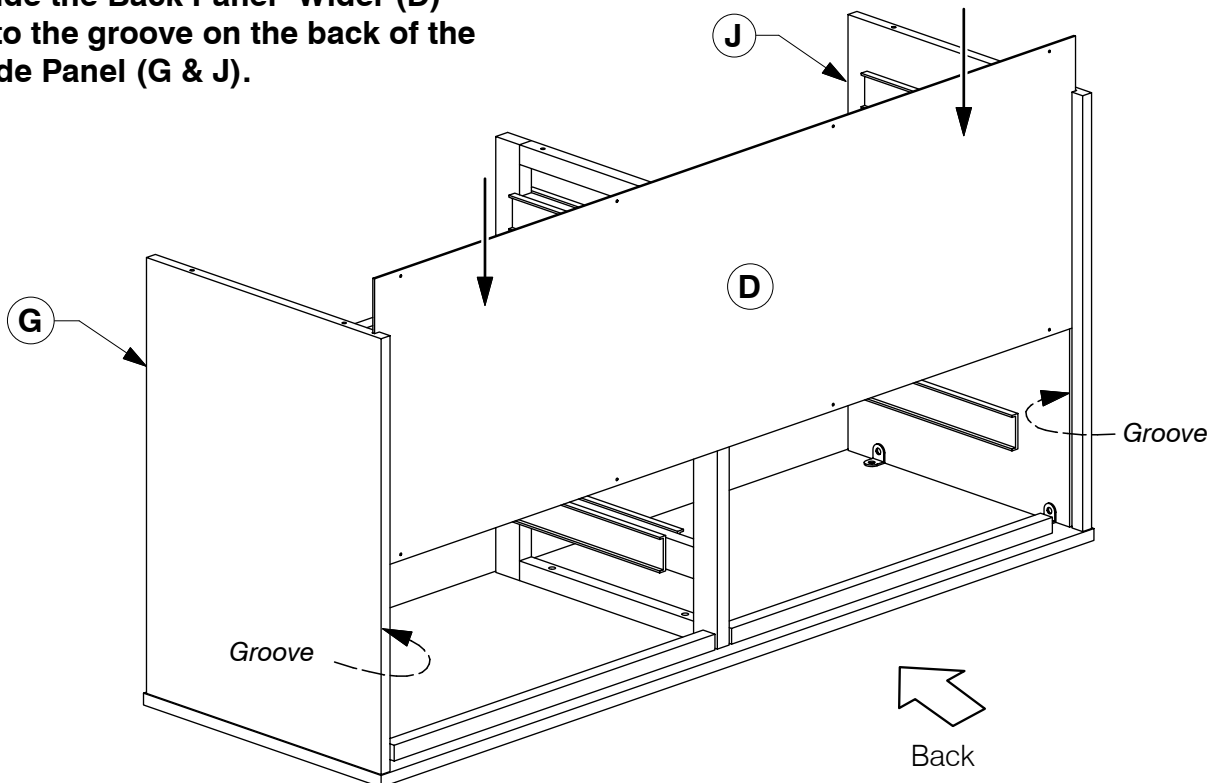
Assembly Instructions

WI-1220

- 10** Fit the other side of Side Panel- Left Hand (G) to the Top Panel (A) & Support Bar (C).



- 11** Slide the Back Panel- Wider (D) into the groove on the back of the Side Panel (G & J).

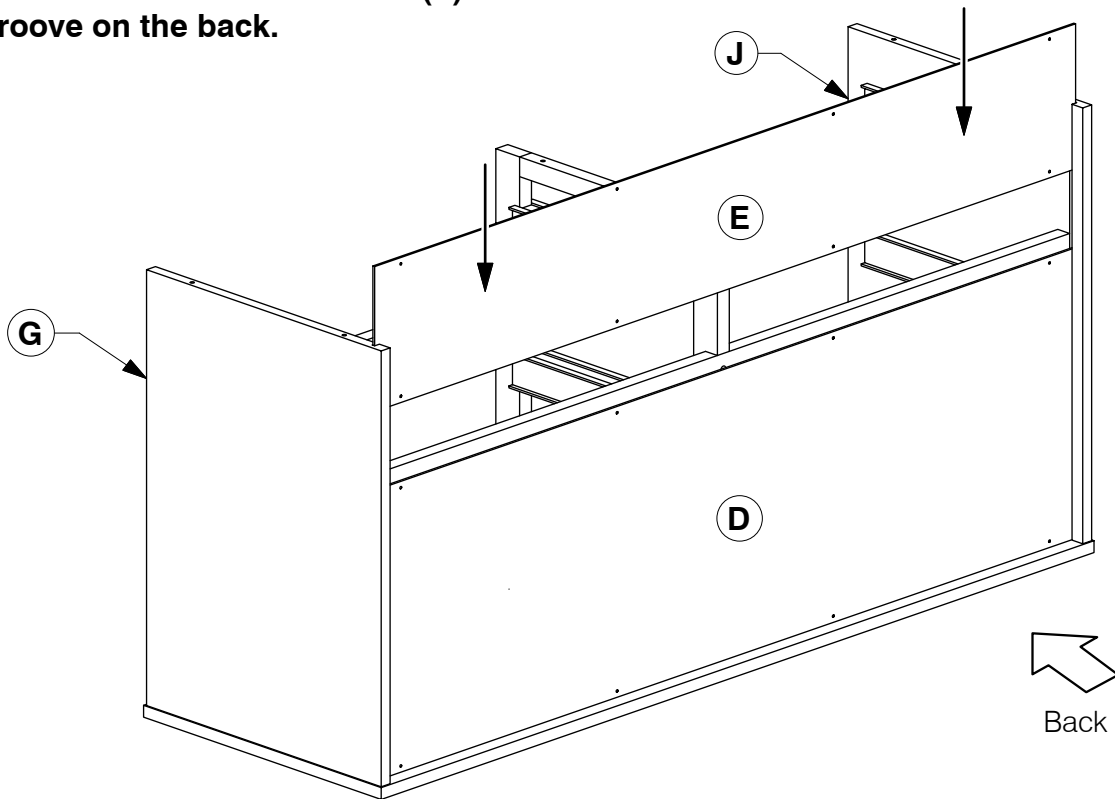


9001 6 Drawer Dresser

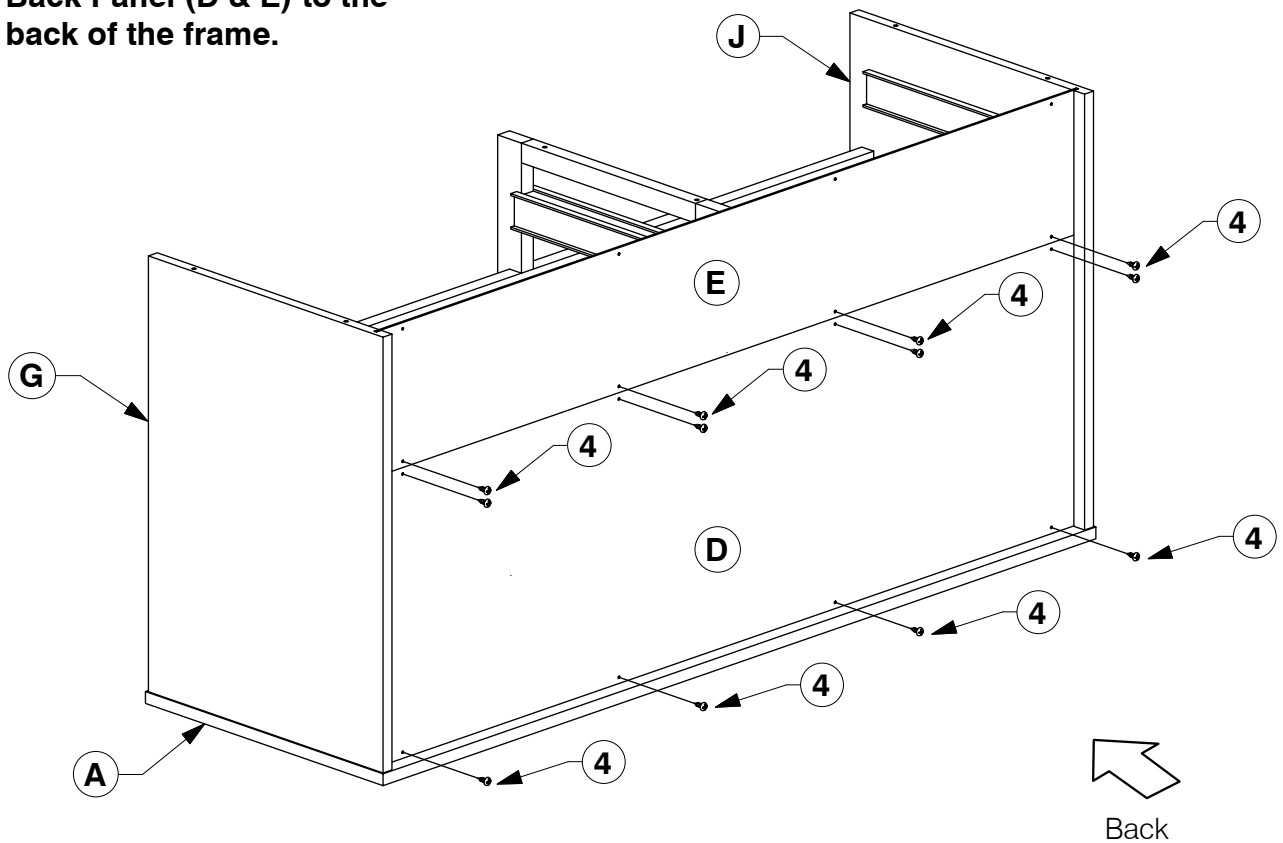
Assembly Instructions

WI-1220

- 12** Slide the Back Panel-Narrow (E) into the groove on the back.



- 13** Use screws to tighten the Back Panel (D & E) to the back of the frame.

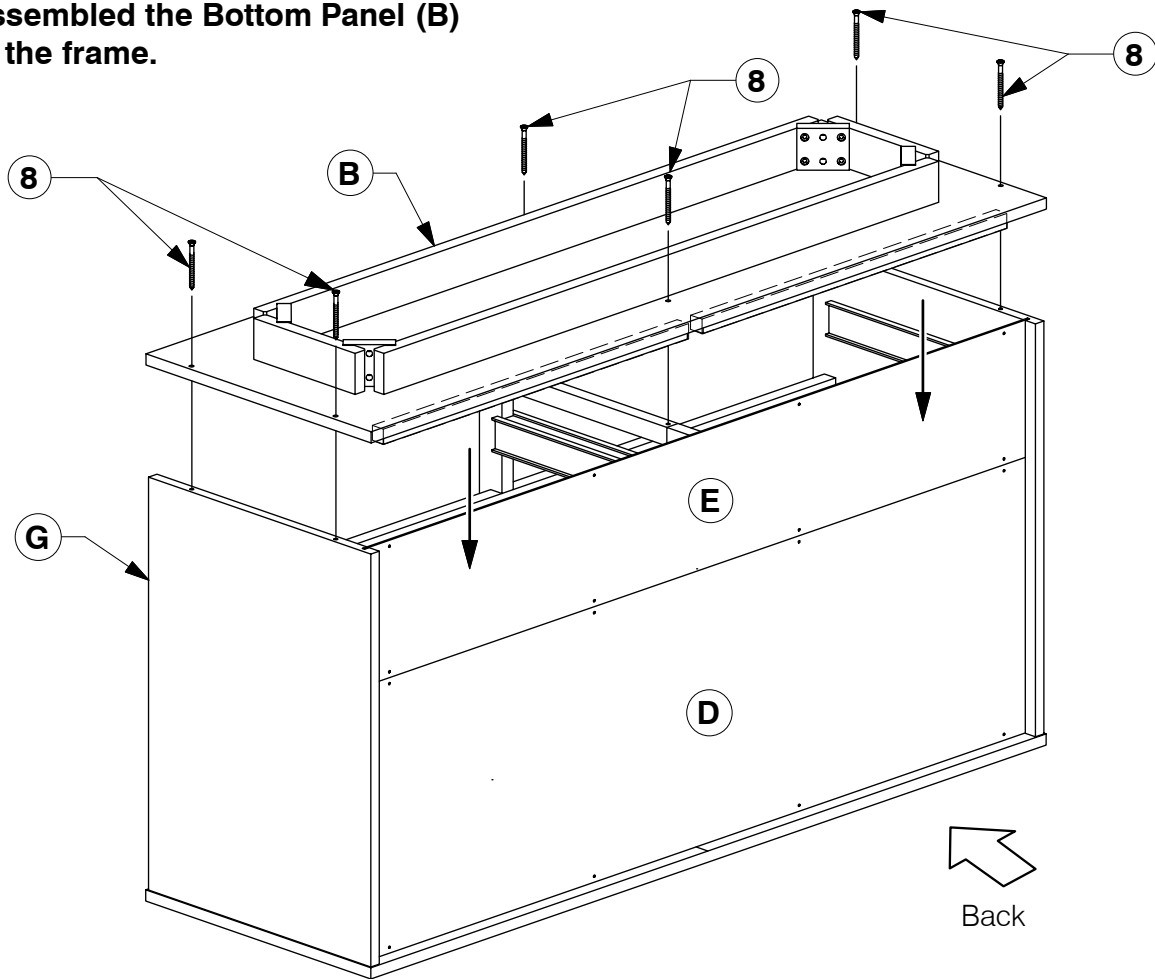


9001 6 Drawer Dresser

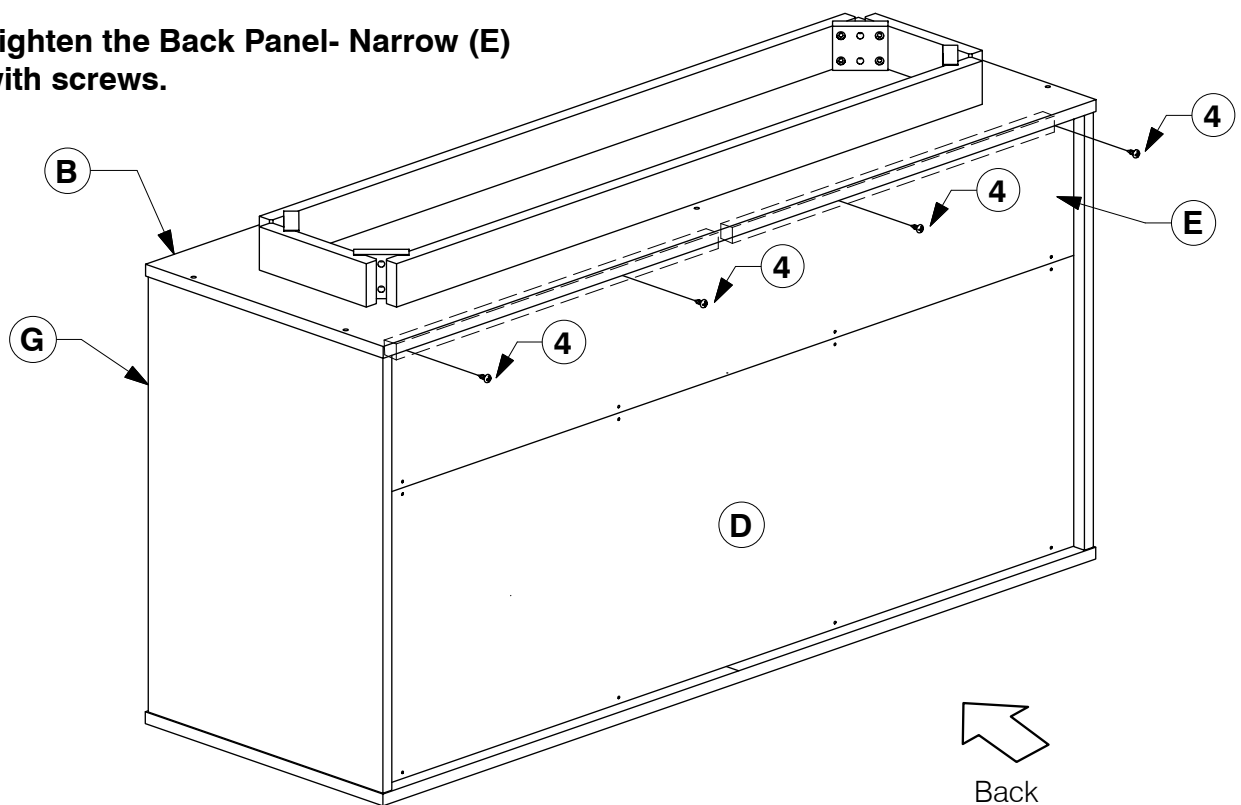
Assembly Instructions

WI-1220

- 14** Assembled the Bottom Panel (B) to the frame.



- 15** Tighten the Back Panel- Narrow (E) with screws.

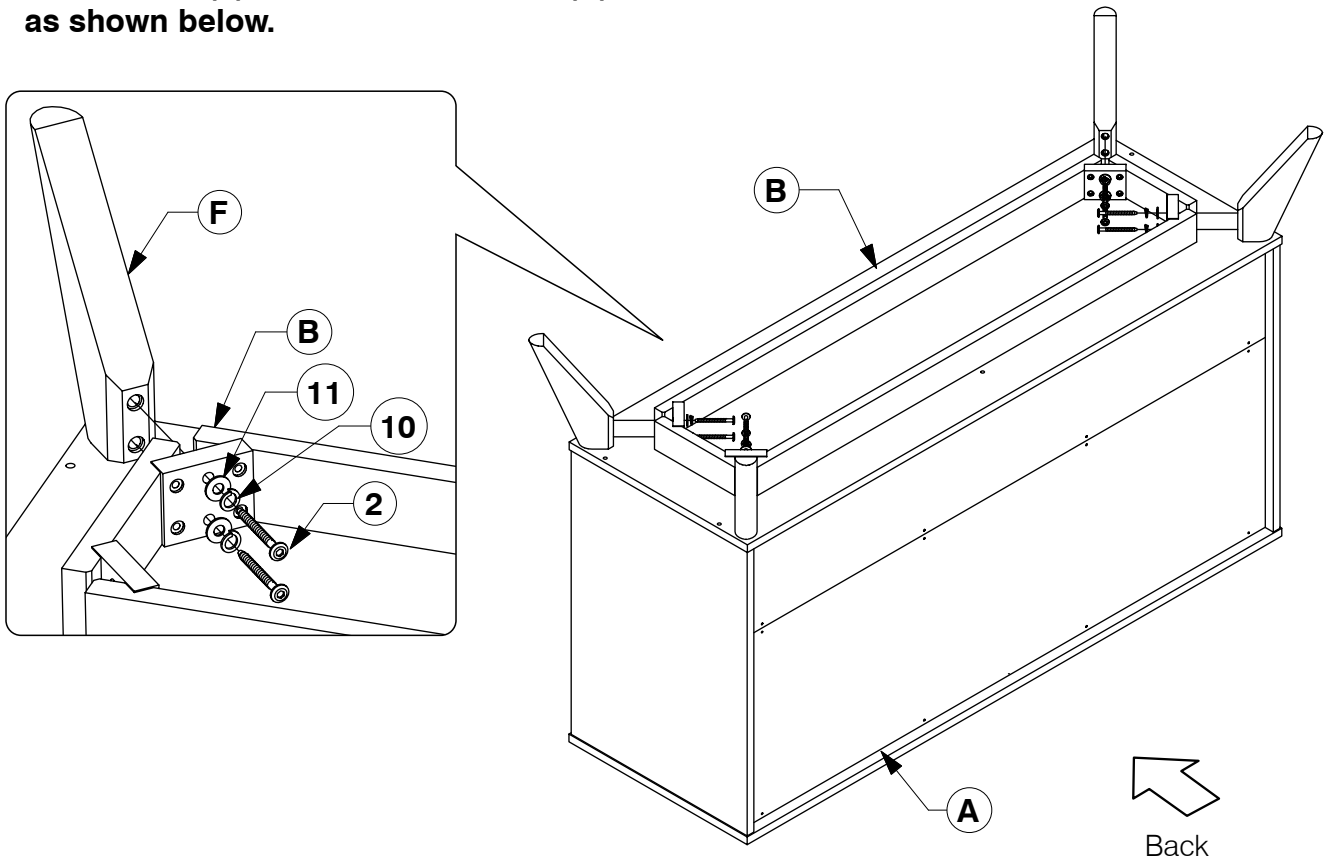


9001 6 Drawer Dresser

Assembly Instructions

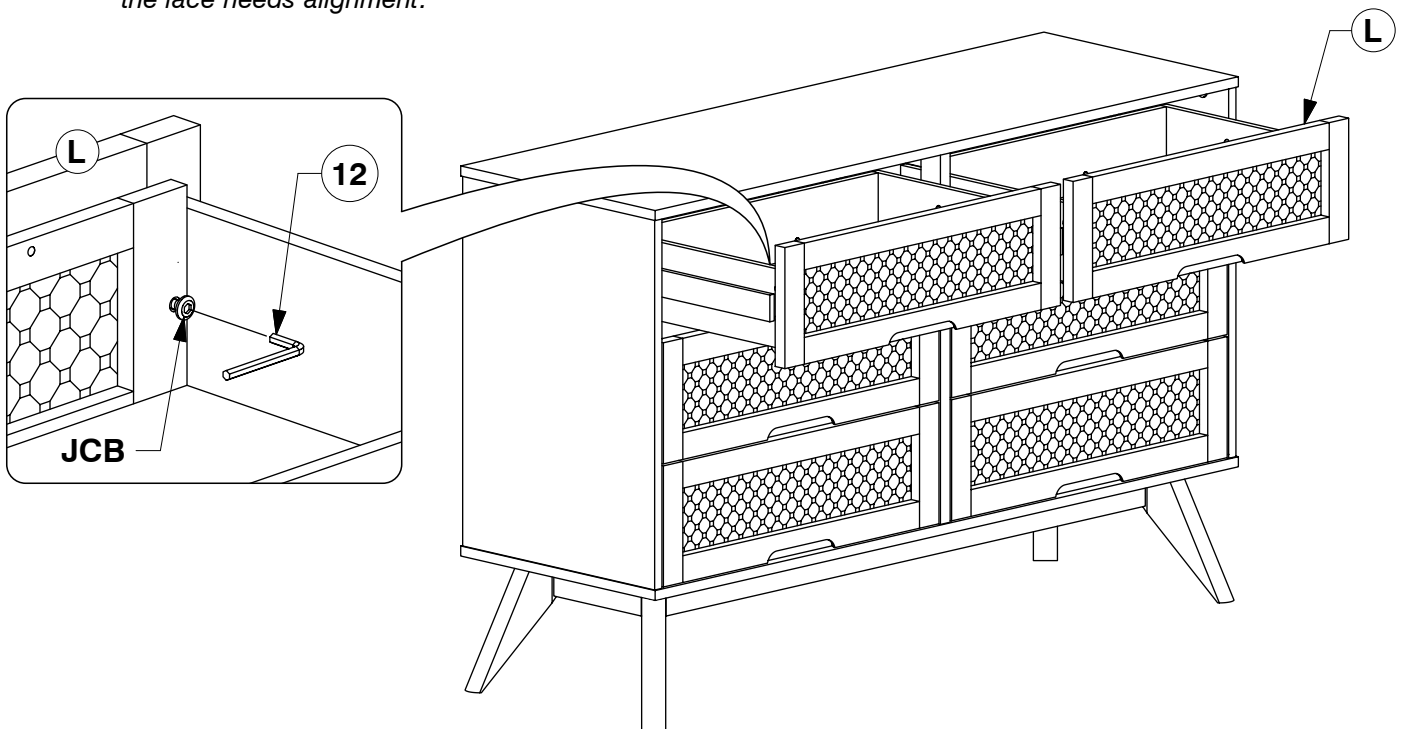
WI-1220

- 16** Fit the Post (F) to the Bottom Panel (B) as shown below.



- 17** Fit and adjust the Drawer Face (L).

* NOTE: Before fitting the Wood Screws.
Loosen the JCBs on the Drawer Face if
the face needs alignment.

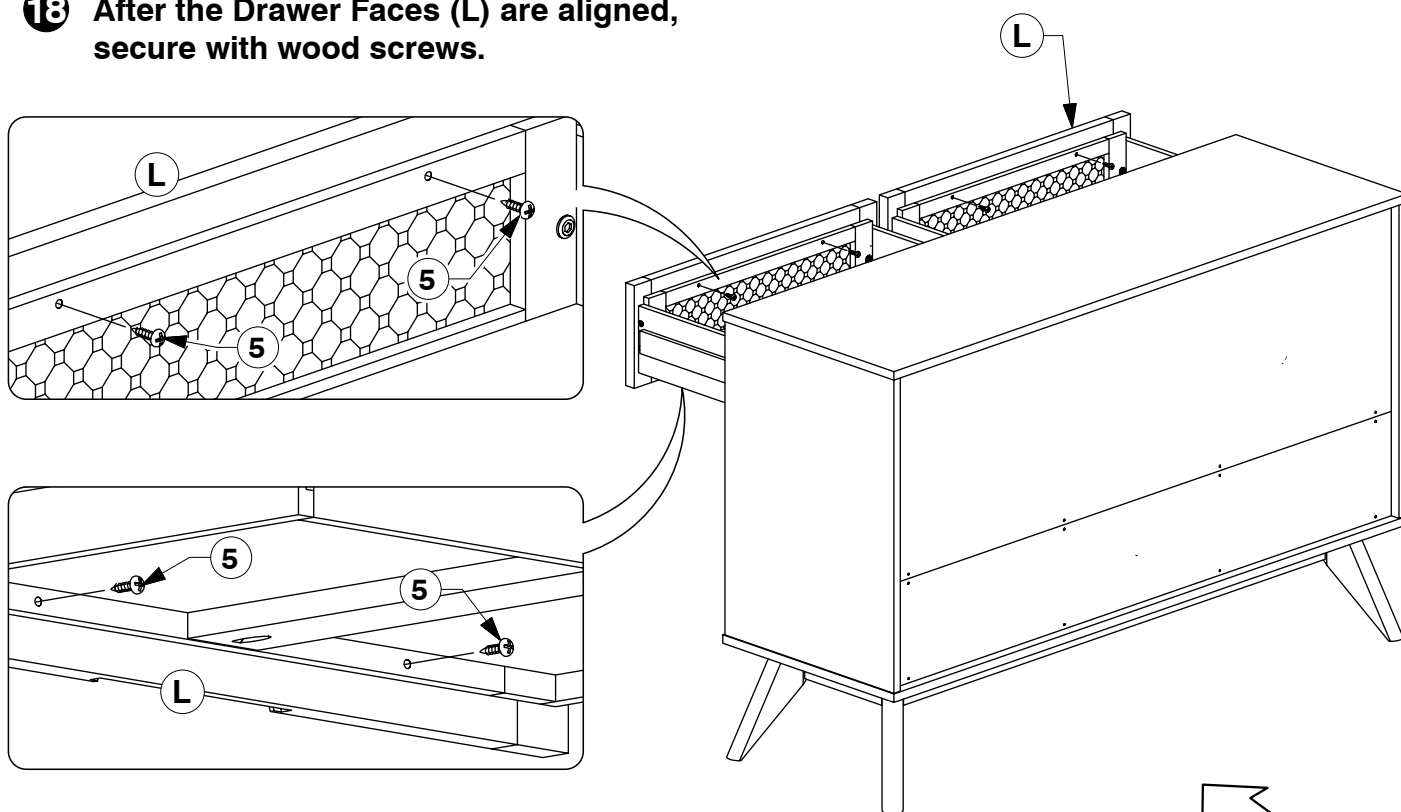


9001 6 Drawer Dresser

Assembly Instructions

WI-1220

- 18** After the Drawer Faces (L) are aligned, secure with wood screws.



Back