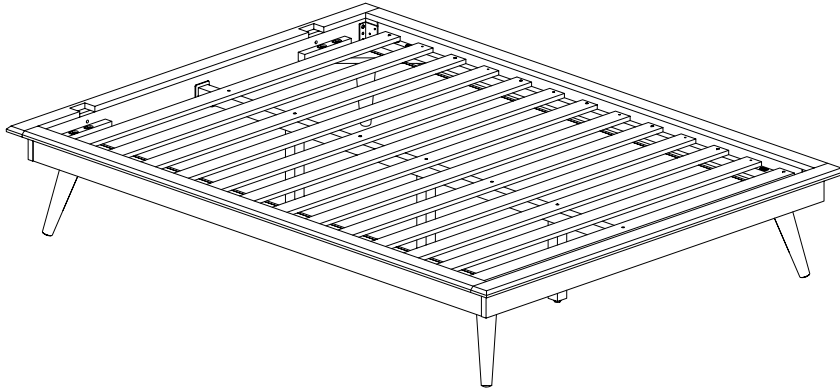


0004 Full Bed

Assembly Instructions

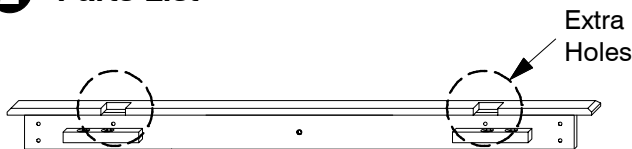
W11-0819

1 Assembled View



Note: Do not assemble using power tools. This can cause the bolts to be overtightened

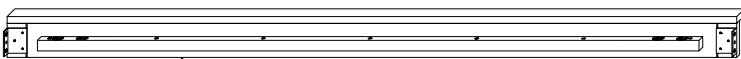
2 Parts List



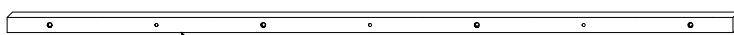
A Headboard Panel x 1



B Footboard Panel x 1



C Side Rail x 2



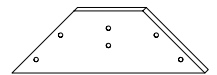
D Long Support x 1



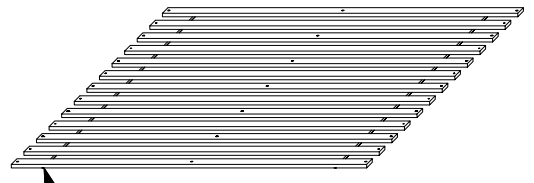
E Post x 4



F Support Leg x 3



G Support Panel x 4



H Set of Bed Slats x 1

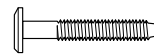
3 Hardware List



1 M6 x 100mm JCB x 3



2 M6 x 50mm JCB x 16



3 M6 x 40mm JCB x 22



4 M6 x 20mm JCB x 8



5 M6 x 15mm JCB x 4



6 M8 x 50mm JCB x 8



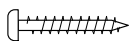
7 Barrel Nut x 3



8 Spring Washer x 28



9 Flat Washer x 28



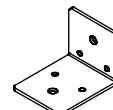
10 Wood Screw (M4 x 32mm) x 12



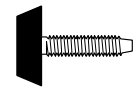
11 M4 Allen Key x 1



12 M5 Allen Key x 1



13 Center Rail Bracket x 2



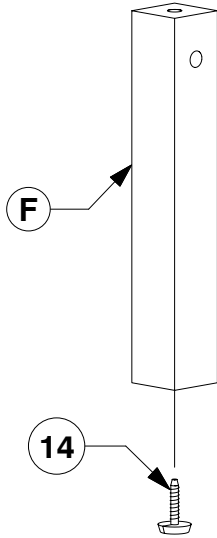
14 Adjustable Foot x 3

0004 Full Bed

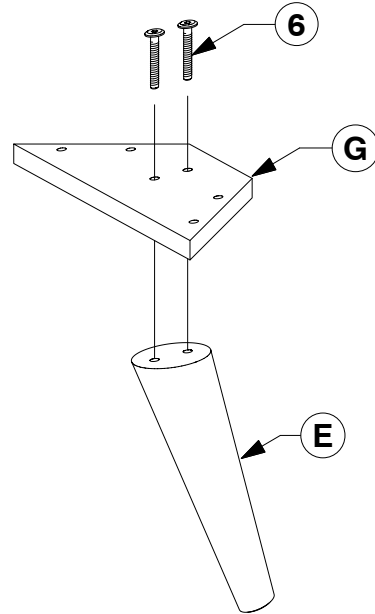
Assembly Instructions

W11-0819

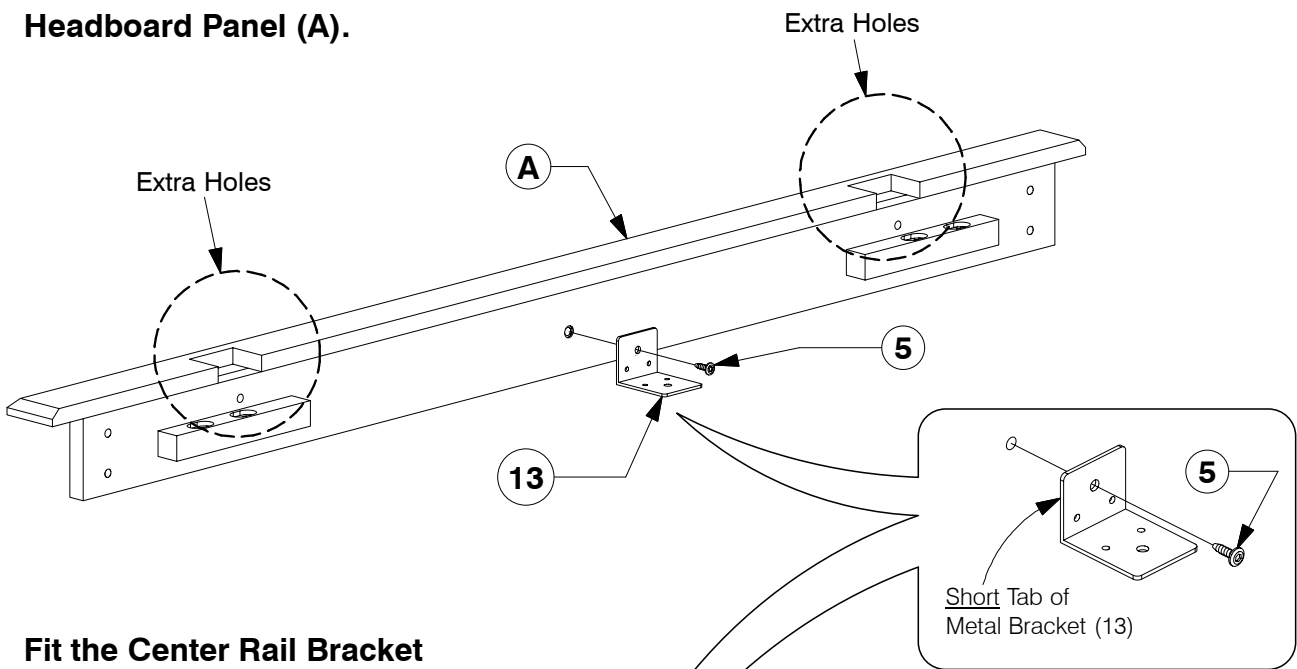
- 4** Fix the Adjustable foot to the bottom of the Support Leg (F).



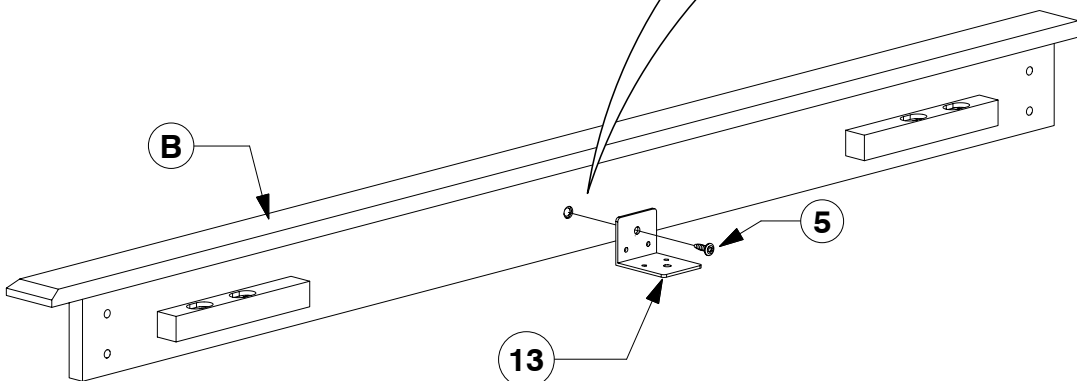
- 5** Fit the Post (E) to the Support Panel (G).



- 6** Fit the Center Rail Bracket to the Headboard Panel (A).



- 7** Fit the Center Rail Bracket to the Footboard Panel (B).

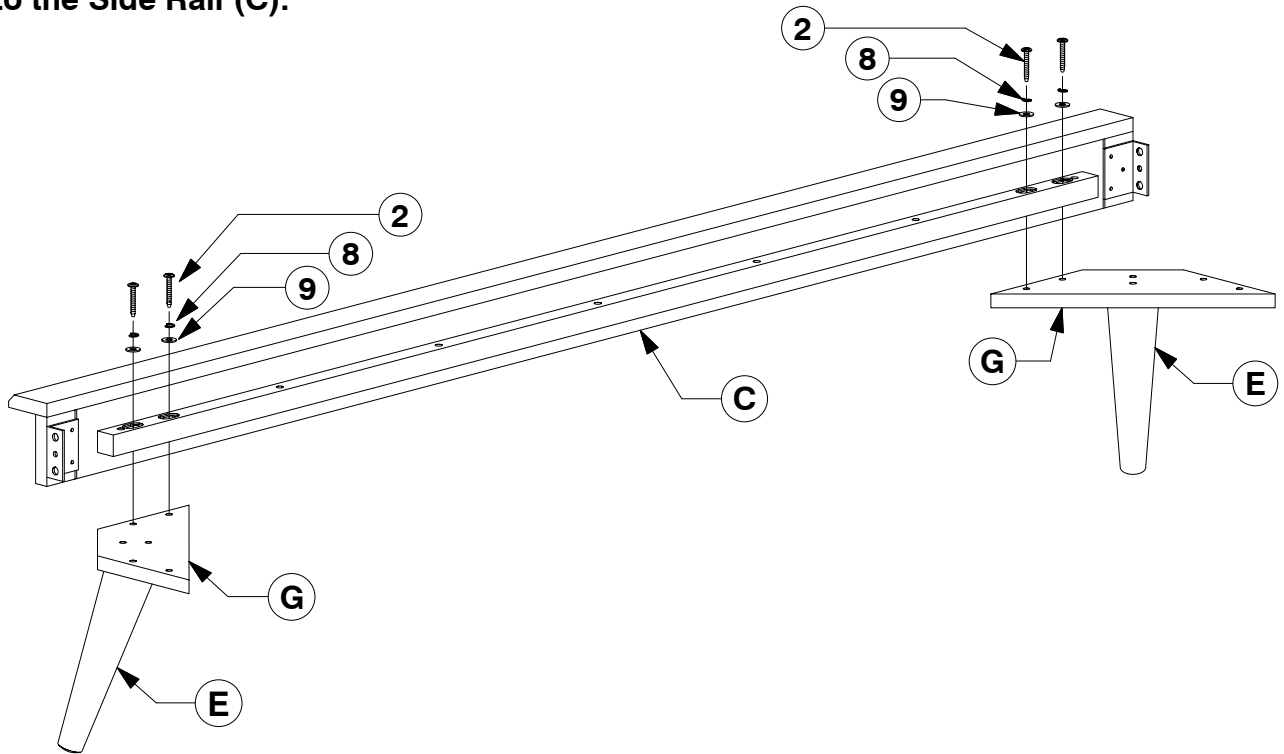


0004 Full Bed

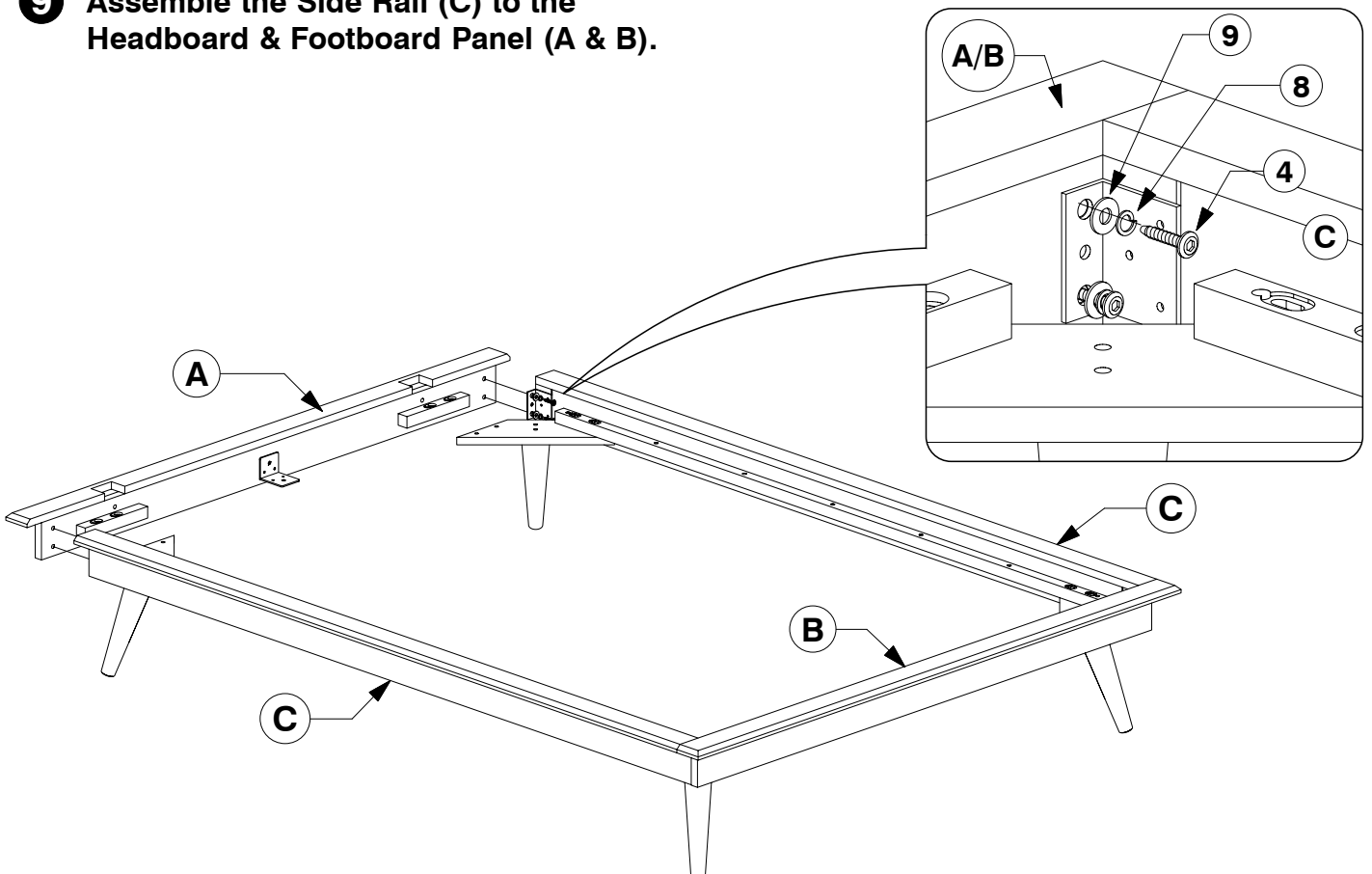
Assembly Instructions

WII-0819

- 8** Bolt the Post & Support Panel (E & G) to the Side Rail (C).



- 9** Assemble the Side Rail (C) to the Headboard & Footboard Panel (A & B).

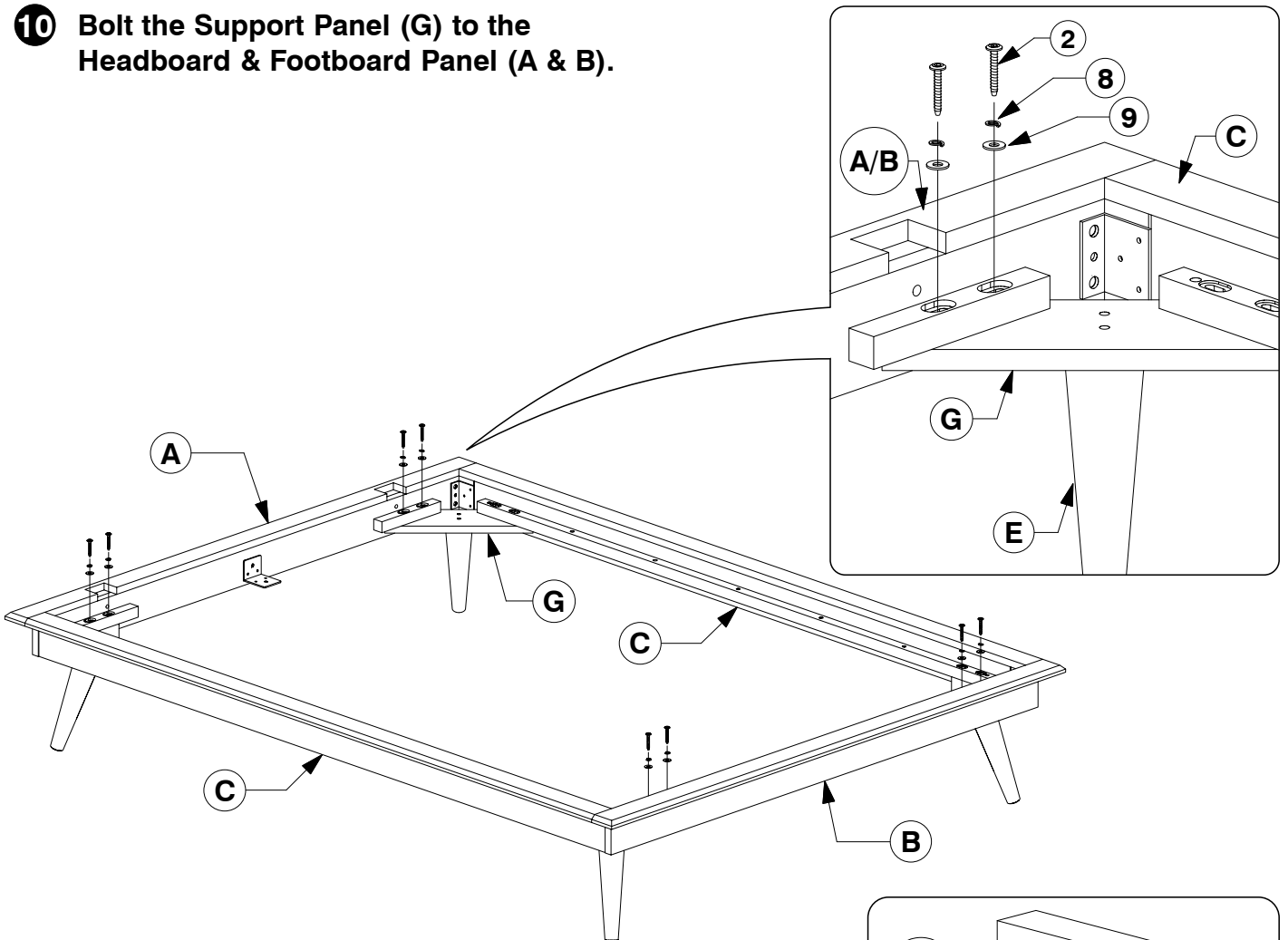


0004 Full Bed

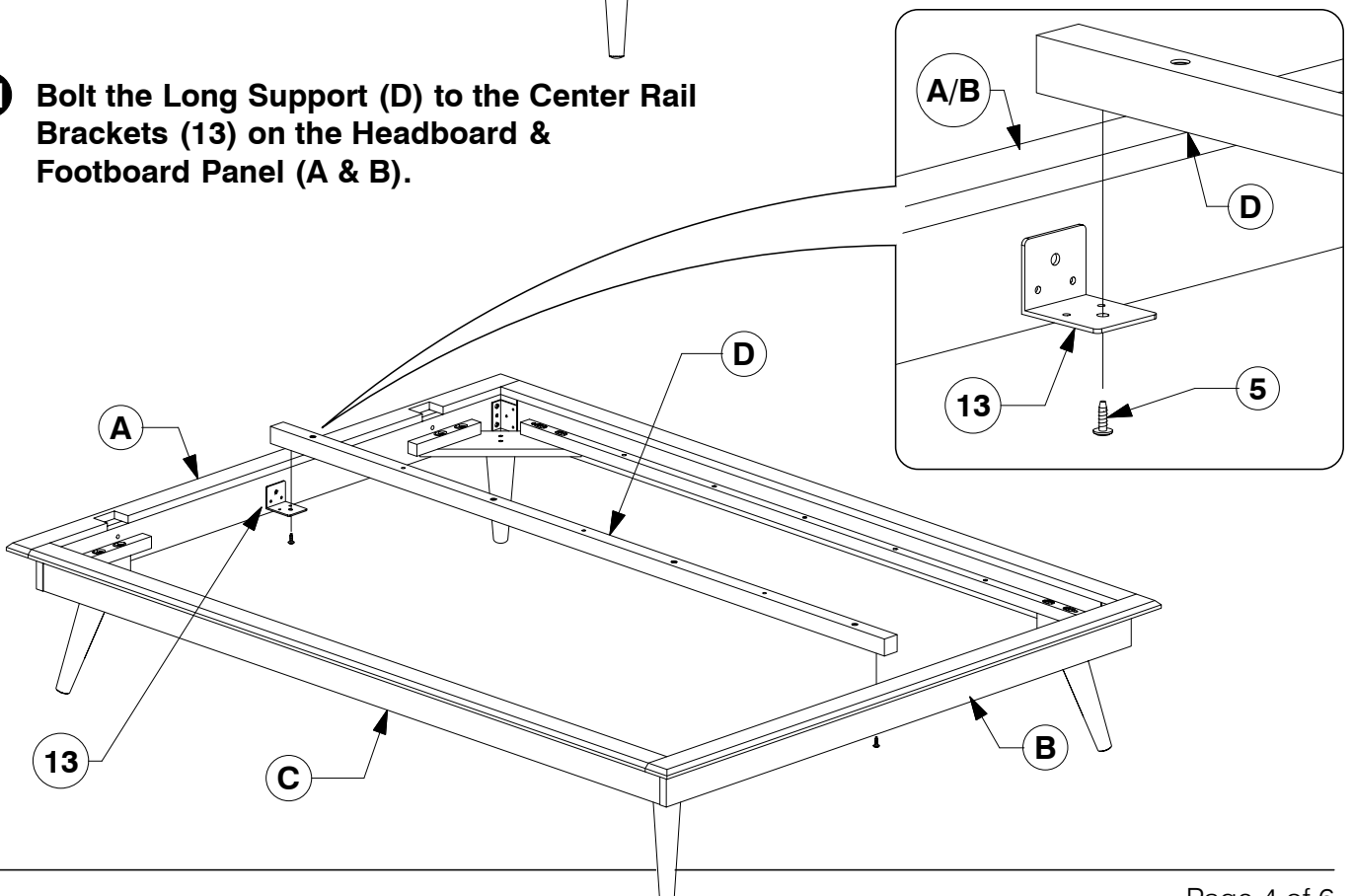
Assembly Instructions

WII-0819

- 10** Bolt the Support Panel (G) to the Headboard & Footboard Panel (A & B).



- 11** Bolt the Long Support (D) to the Center Rail Brackets (13) on the Headboard & Footboard Panel (A & B).

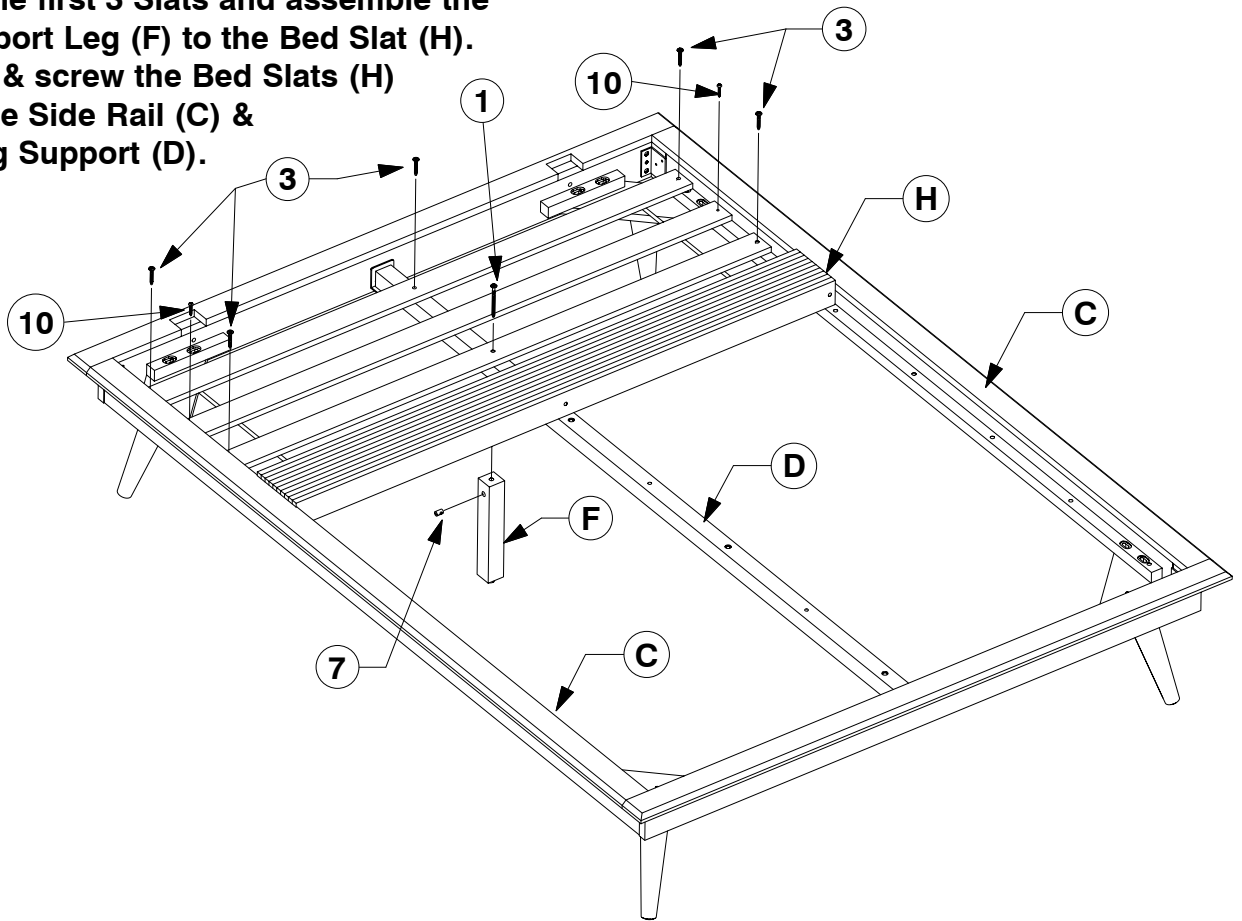


0004 Full Bed

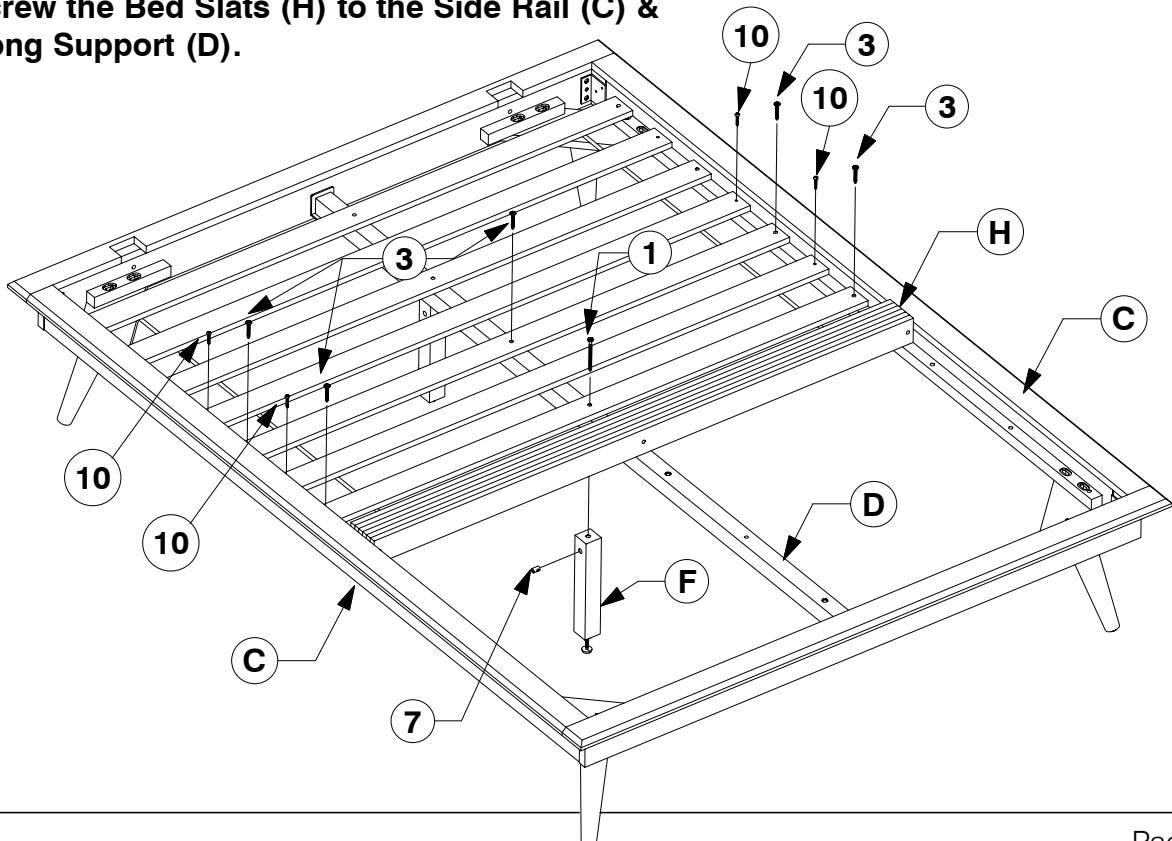
Assembly Instructions

WII-0819

- 12** Fit the first 3 Slats and assemble the Support Leg (F) to the Bed Slat (H). Bolt & screw the Bed Slats (H) to the Side Rail (C) & Long Support (D).



- 13** Fit the other Slats out and assemble the Support Leg (F) to the Bed Slat (H). Bolt & screw the Bed Slats (H) to the Side Rail (C) & Long Support (D).

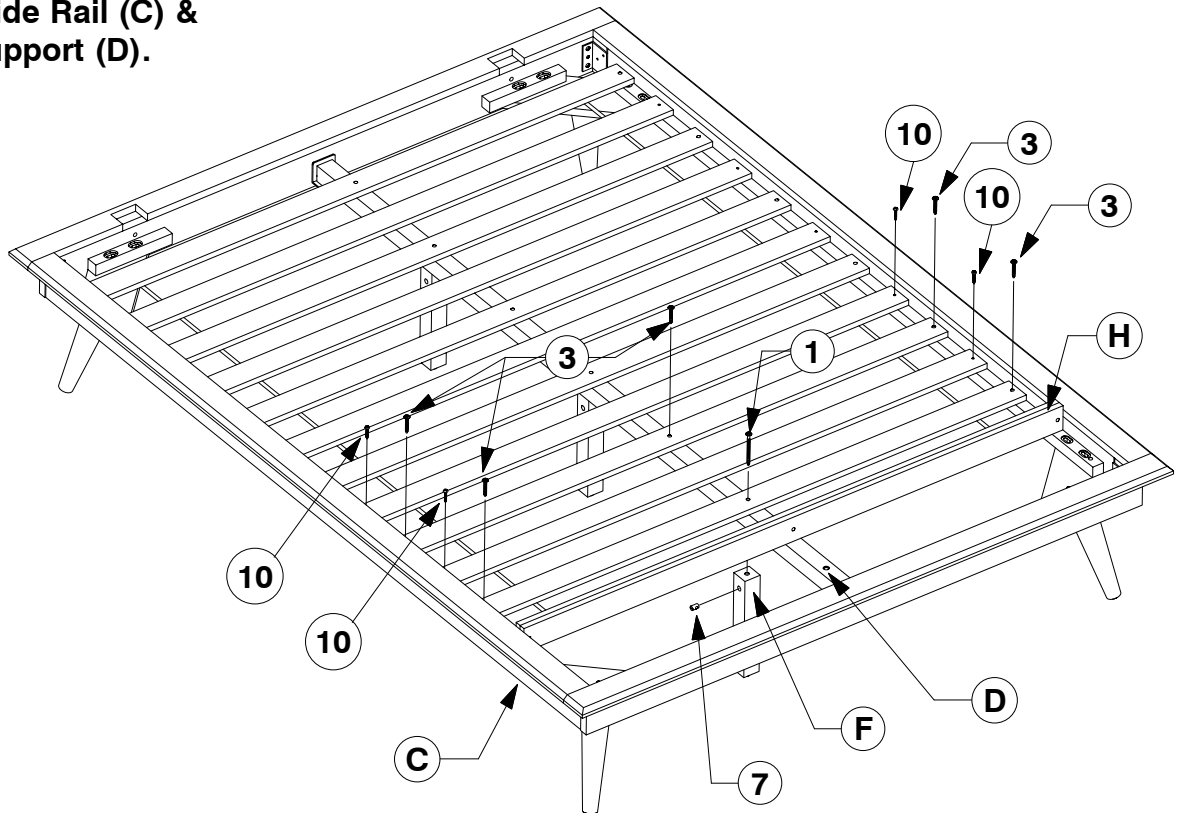


0004 Full Bed

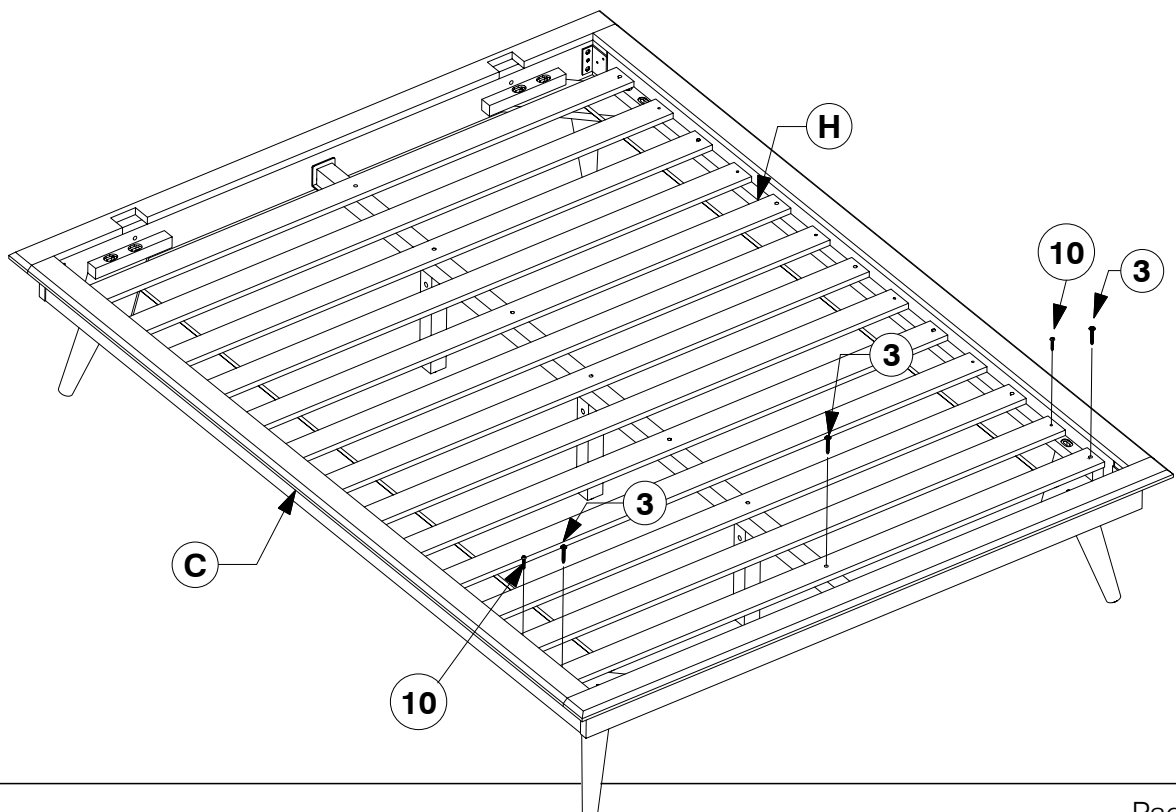
Assembly Instructions

W11-0819

- 14** Fit the other Slats out and assemble the Support Leg (F) to the Bed Slat (H). Bolt & screw the Bed Slats (H) to the Side Rail (C) & Long Support (D).



- 15** Bolt & screw the remaining Bed Slats (H) to the Side Rail (C).

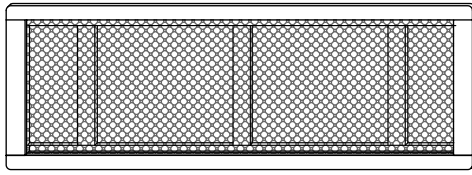


Full Headboard

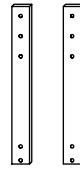
Assembly Instructions

W11-0419

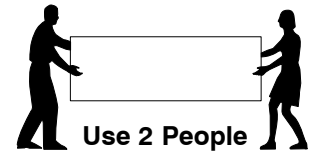
1 Parts List



A Headboard Panel x 1



B Support Bar x 2



2 Hardware List



1 M6 x 35mm JCB x 6



2 Spring Washer x 6



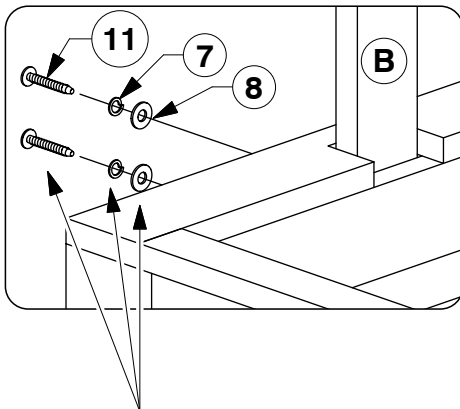
3 Flat Washer x 6



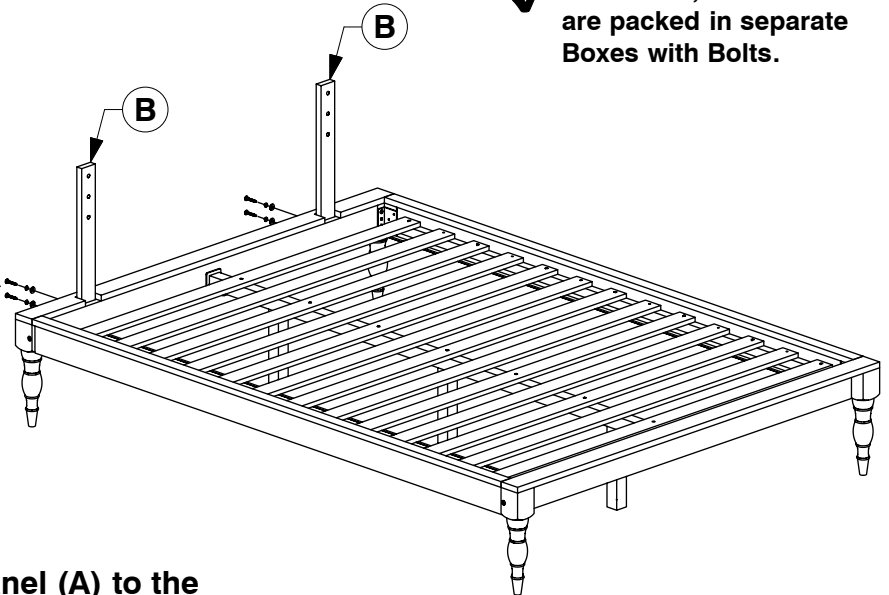
4 Allen Key x 1

Note: Do not assemble using power tools. This can cause the bolts to be overtightened

3 Assemble the Support Bars (B) to the Headboard Panel.

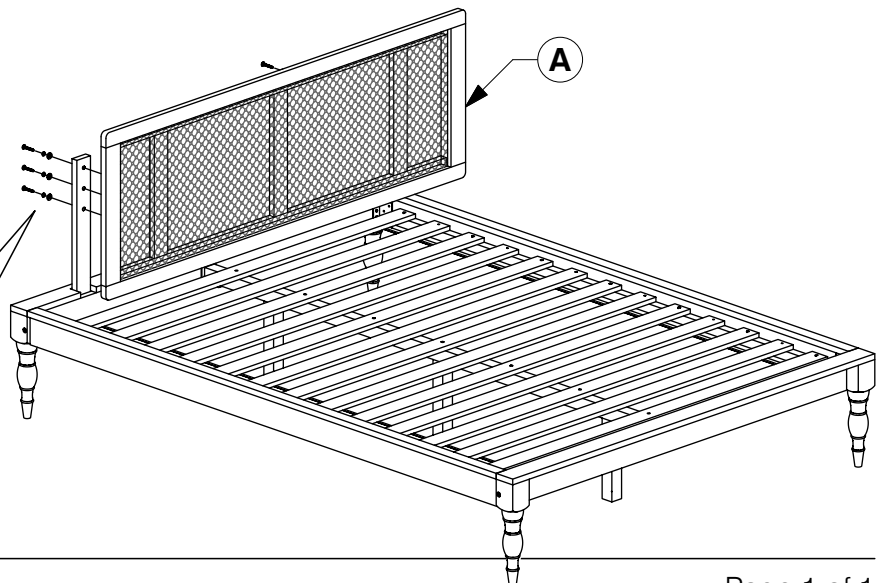
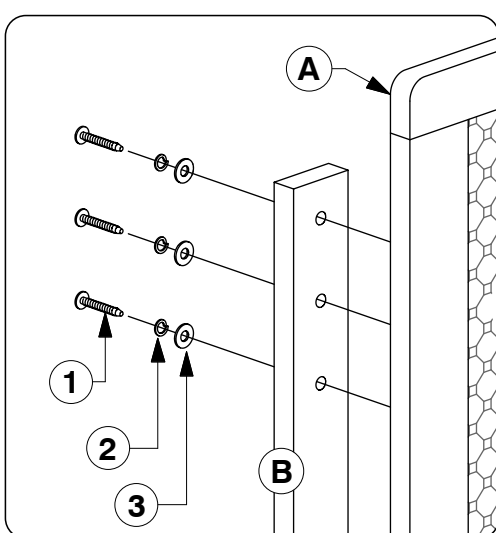


Note: Bolts & Washers from Footboard, Rails & Slats Box.



✓ Footboard, Rails & Slats are packed in separate Boxes with Bolts.

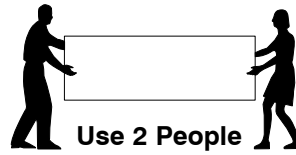
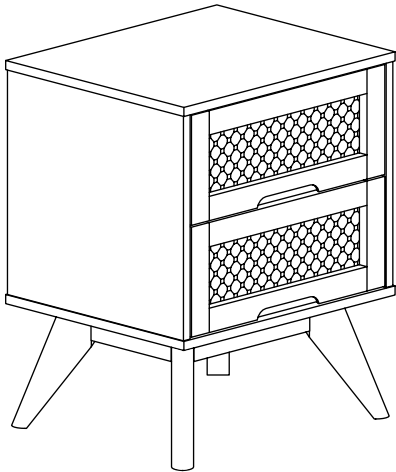
4 Assemble the Headboard Panel (A) to the Support Bars (B).



9001 2 Drawer Nightstand

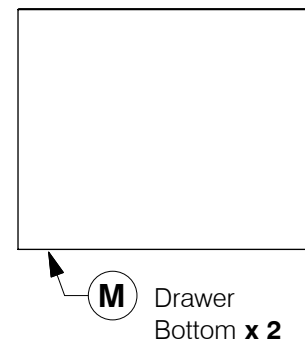
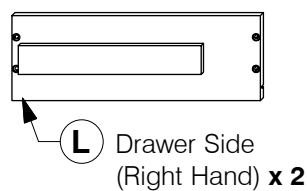
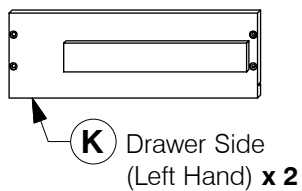
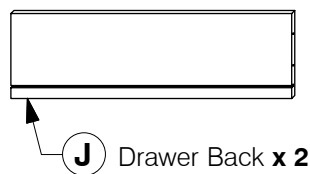
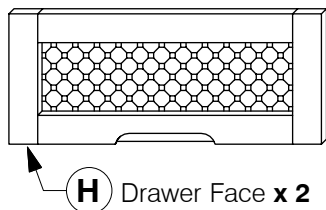
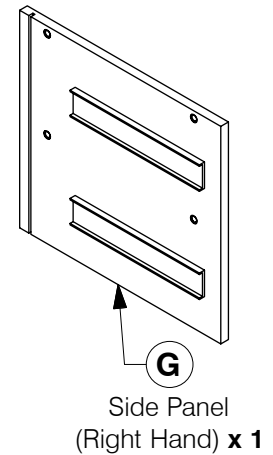
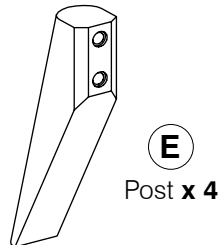
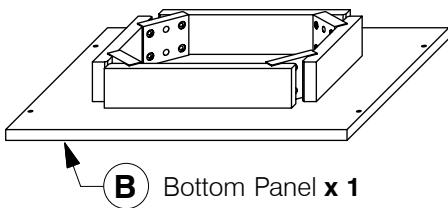
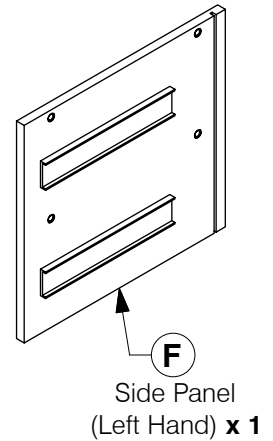
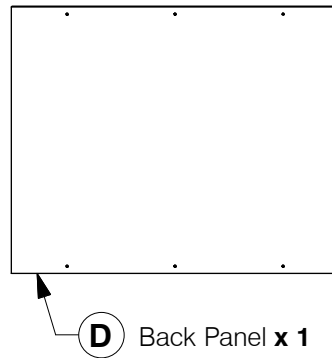
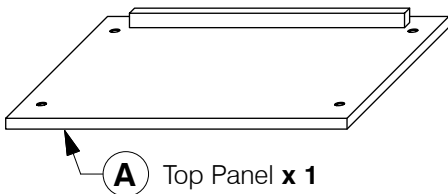
Assembly Instructions

WI-1220



Note: Do not assemble using power tools. This can cause the bolts to be overtightened

1 Parts List

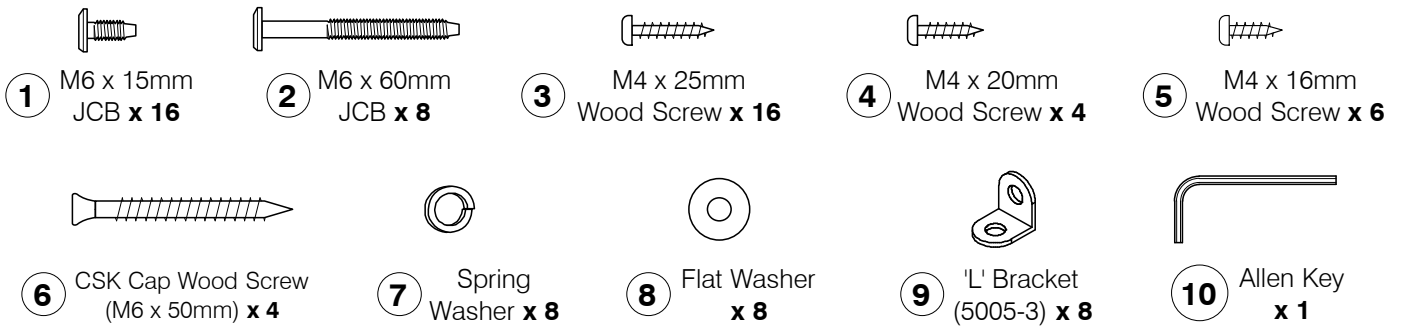


9001 2 Drawer Nightstand

Assembly Instructions

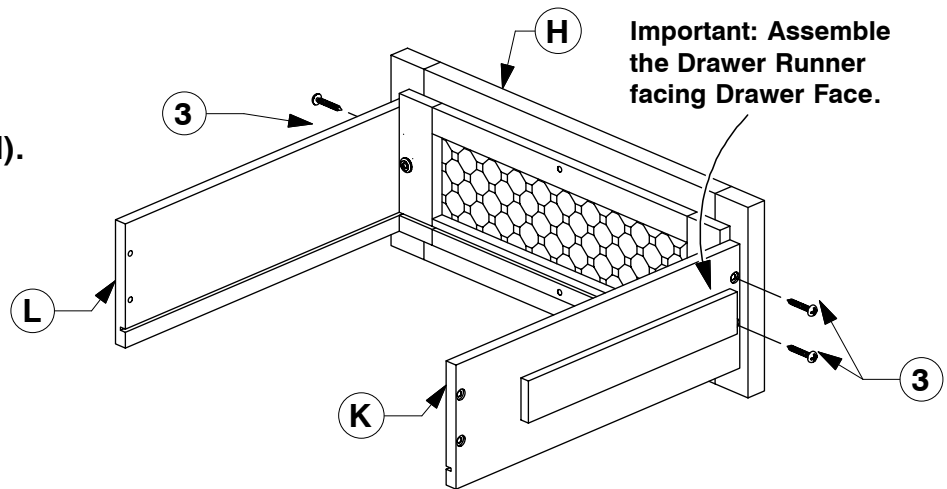
WI-1220

2 Hardware List

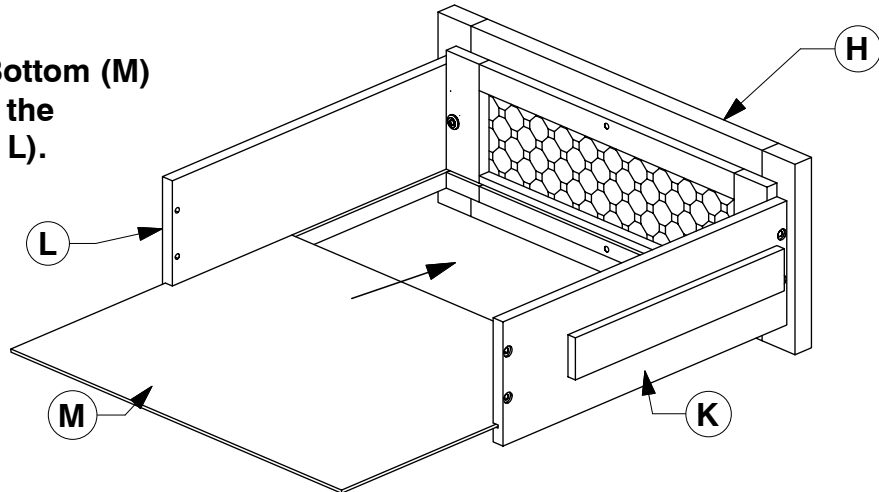


3 Assemble the Drawer Sides (K & L) to the Drawer Face (H).

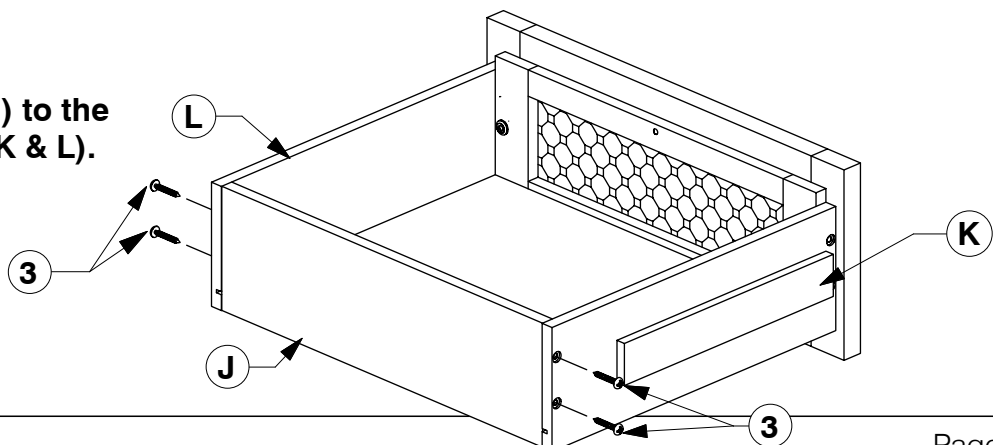
x2



4 Slide the Drawer Bottom (M) into the groove on the Drawer Sides (K & L).



5 Assemble the Drawer Back (J) to the Drawer Sides (K & L).

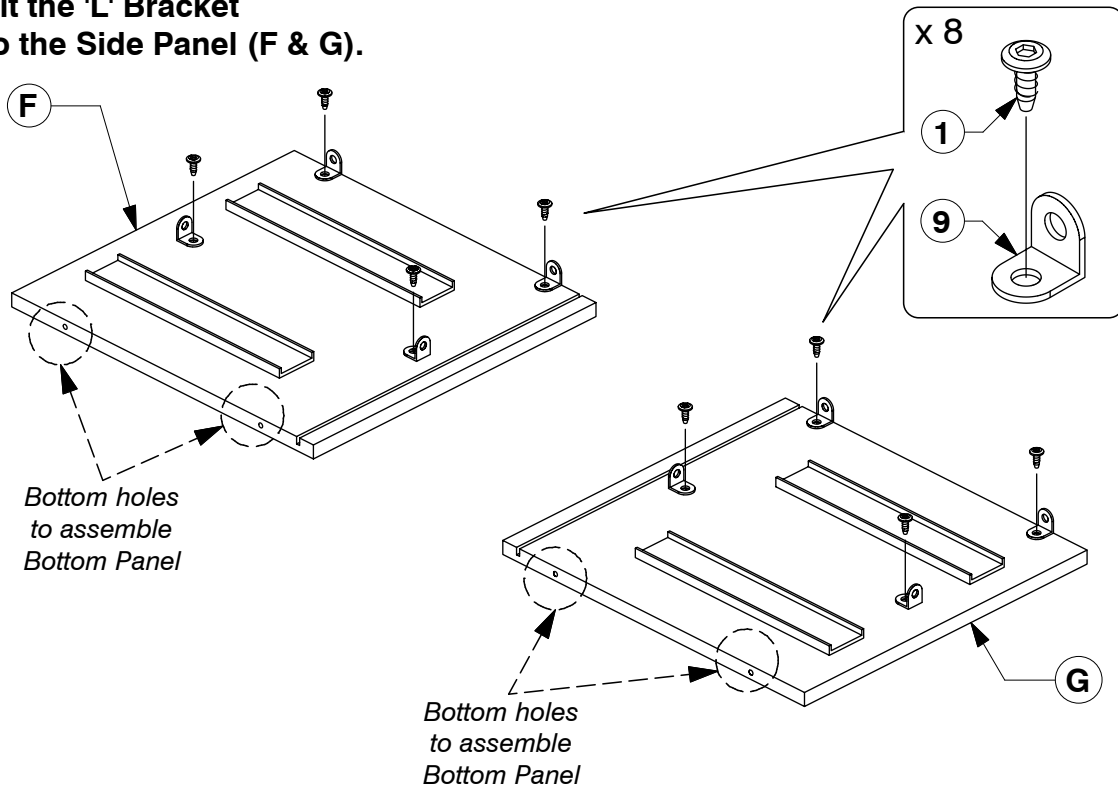


9001 2 Drawer Nightstand

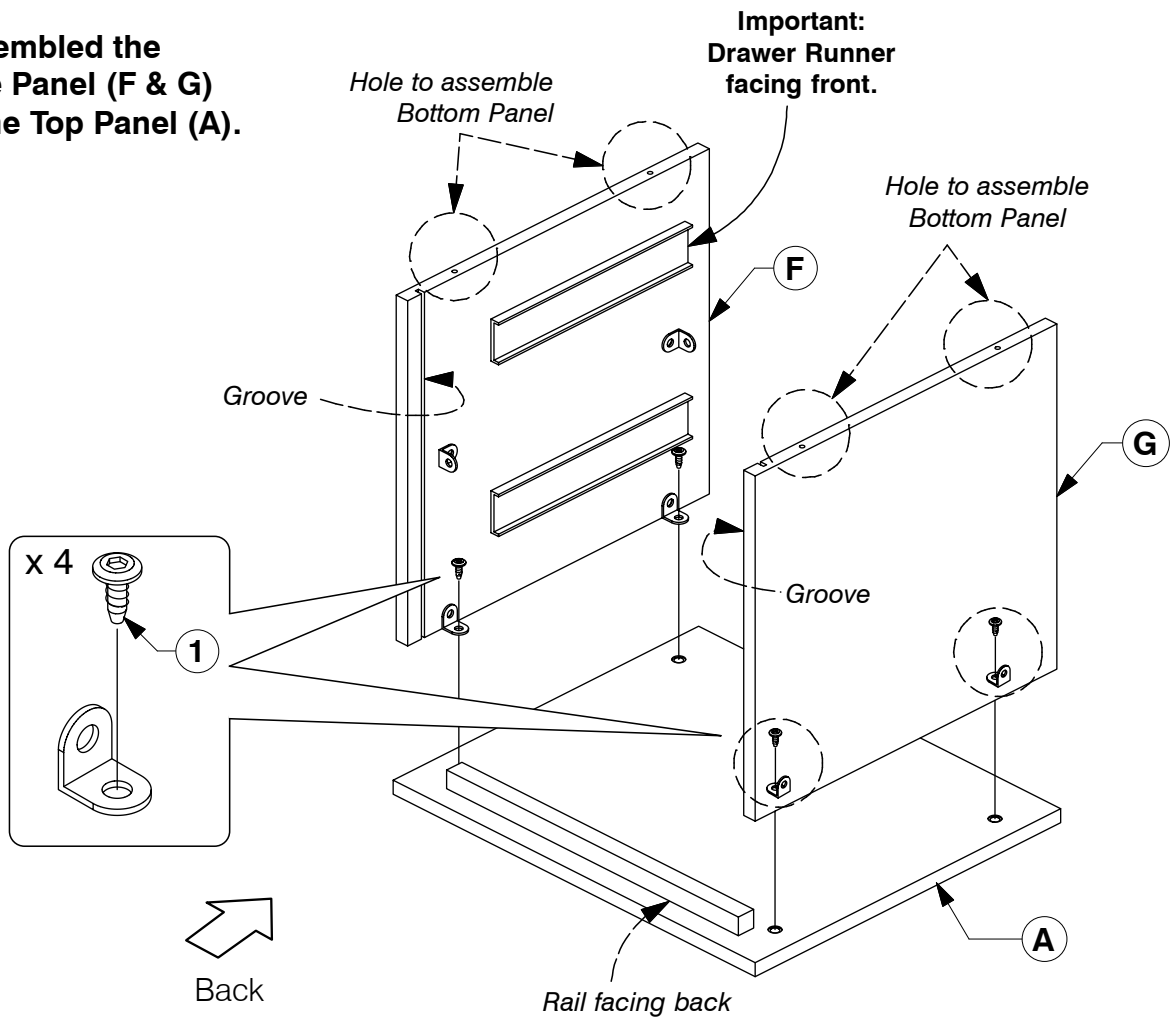
Assembly Instructions

WI-1220

6 Fit the 'L' Bracket to the Side Panel (F & G).



7 Assembled the Side Panel (F & G) to the Top Panel (A).

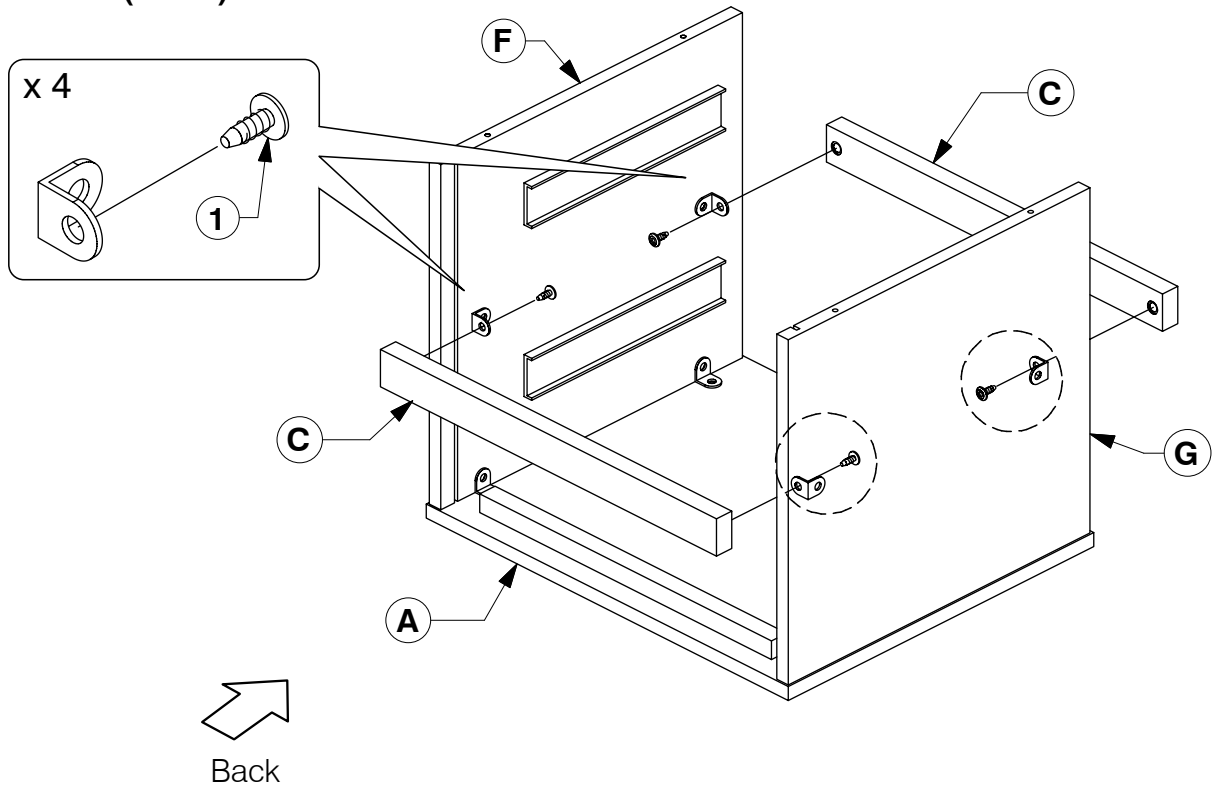


9001 2 Drawer Nightstand

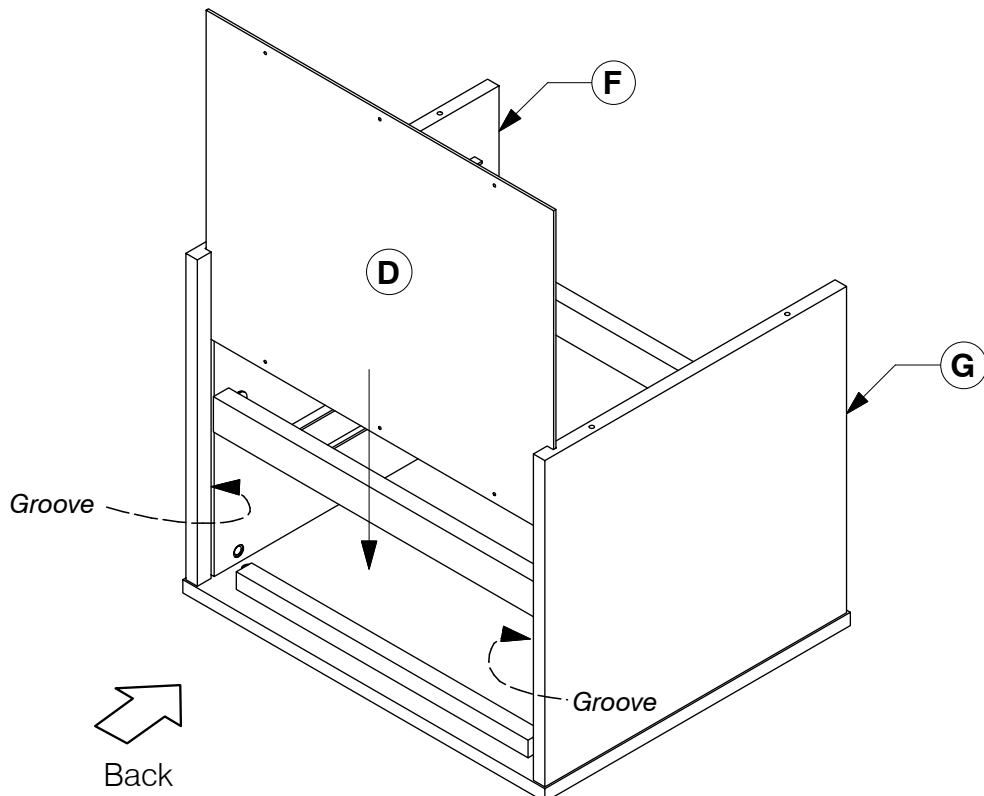
Assembly Instructions

WI-1220

- 8** Fit the Support Bar (C) to the Side Panel (F & G).



- 9** Slide the Back Panel (D) into the groove on the back of the Side Panel (F & G).

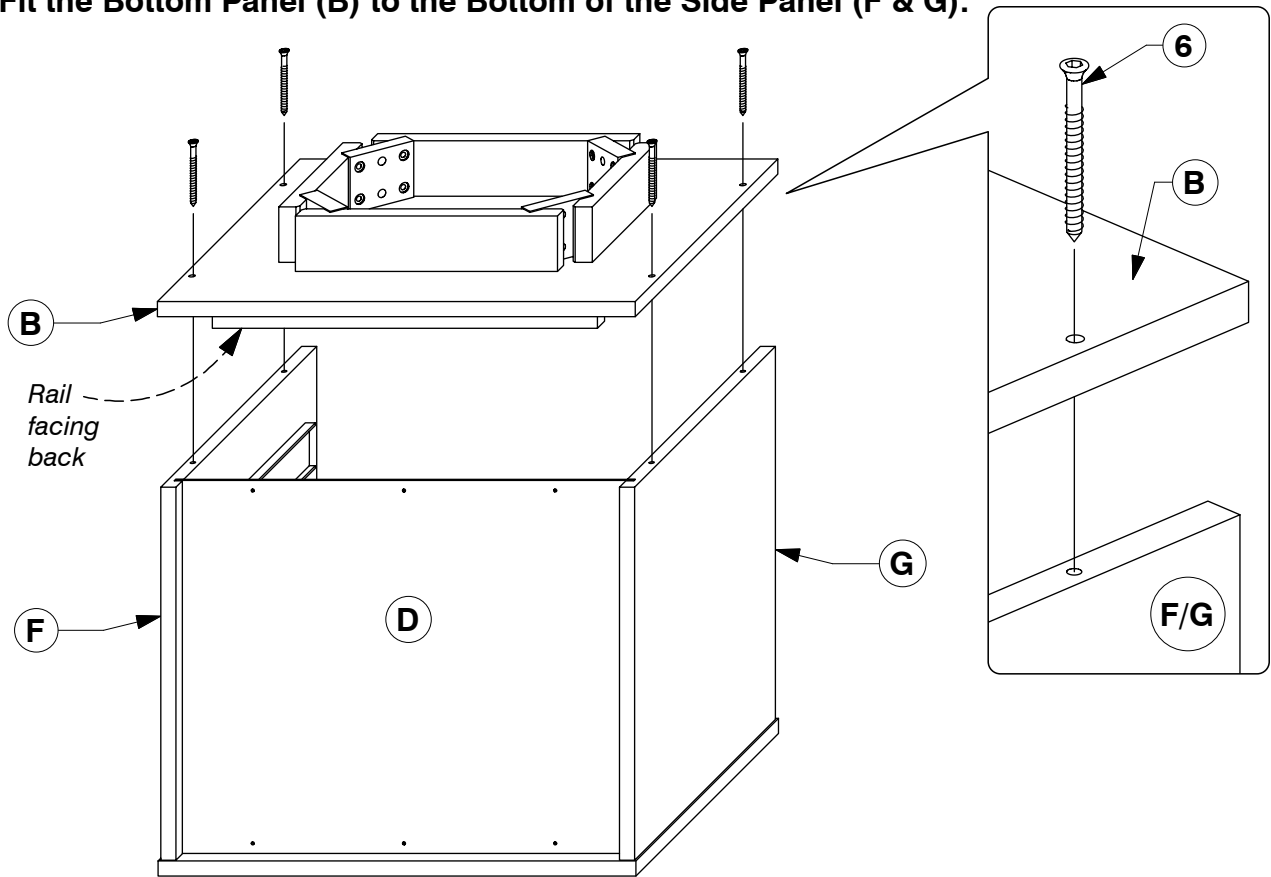


9001 2 Drawer Nightstand

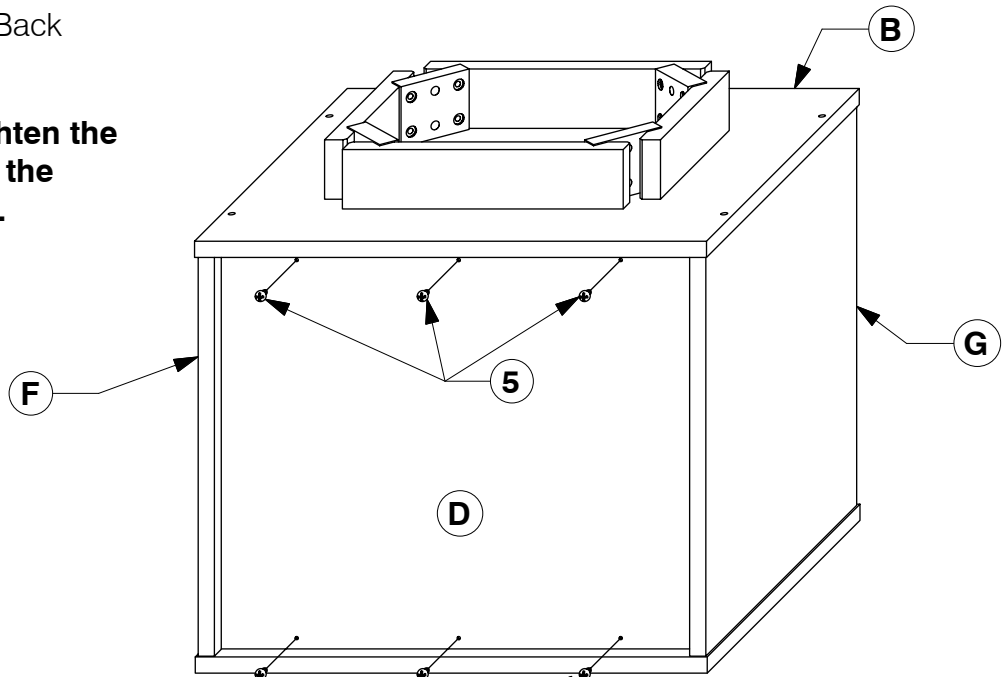
Assembly Instructions

WI-1220

- 10** Fit the Bottom Panel (B) to the Bottom of the Side Panel (F & G).



- 11** Use screws to tighten the Back Panel (D) to the back of the frame.

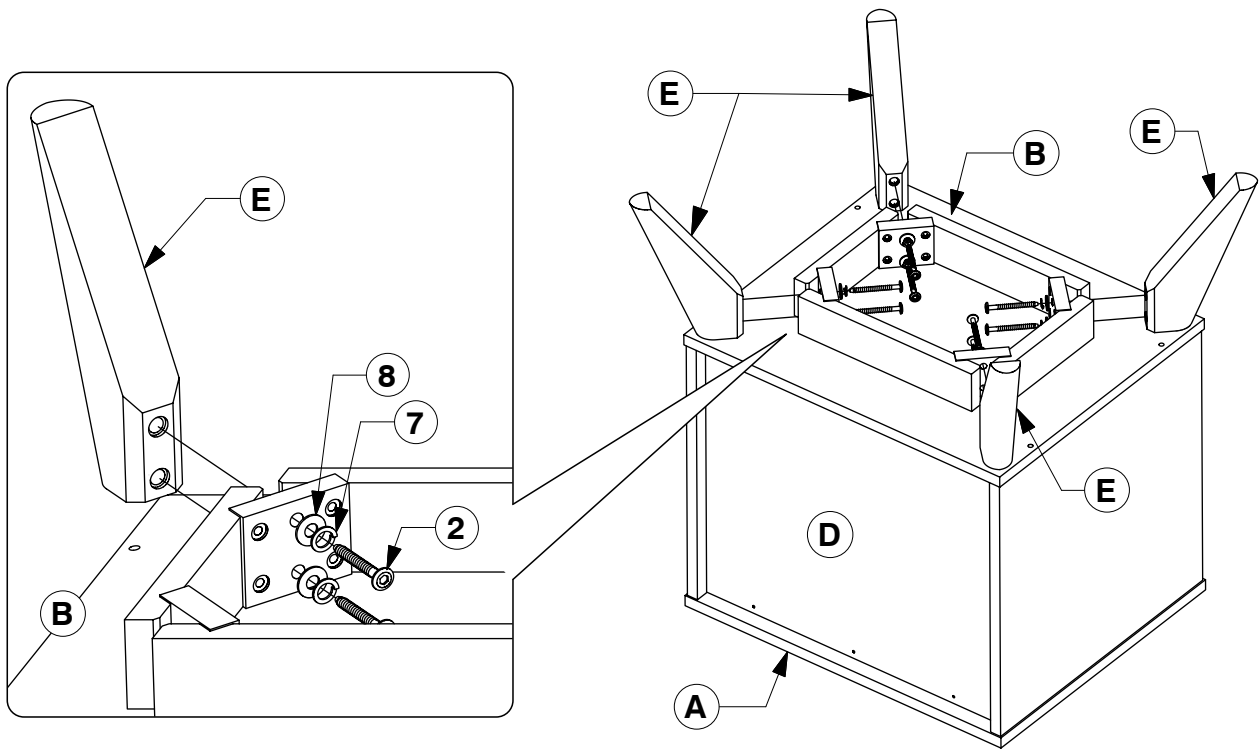


9001 2 Drawer Nightstand

Assembly Instructions

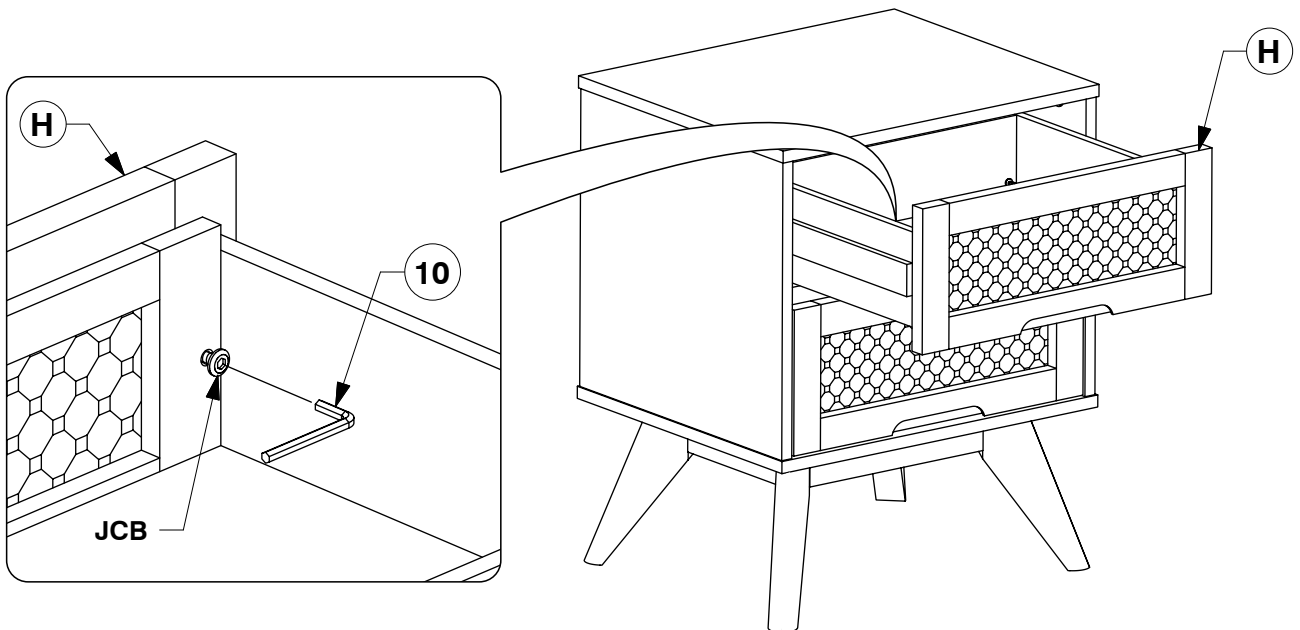
WI-1220

12 Fit the Post (E) to the Bottom Panel (B).



13 Fit and adjust the Drawer Face (H).

* NOTE: Before fitting the Wood Screws.
Loosen the JCBs on the Drawer Face if
the face needs alignment.



9001 2 Drawer Nightstand

Assembly Instructions

WI-1220

14 After the Drawer Faces (H) are aligned, secure with wood screws.

