

# 0004 Twin Headboard

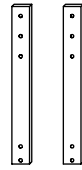
## Assembly Instructions

W11-0720

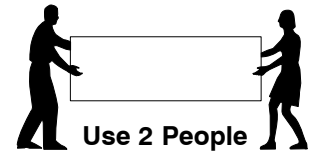
### 1 Parts List



**A** Headboard Panel x 1



**B** Support Bar x 2



### 2 Hardware List



**1** M6 x 35mm JCB x 6



**2** Spring Washer x 6



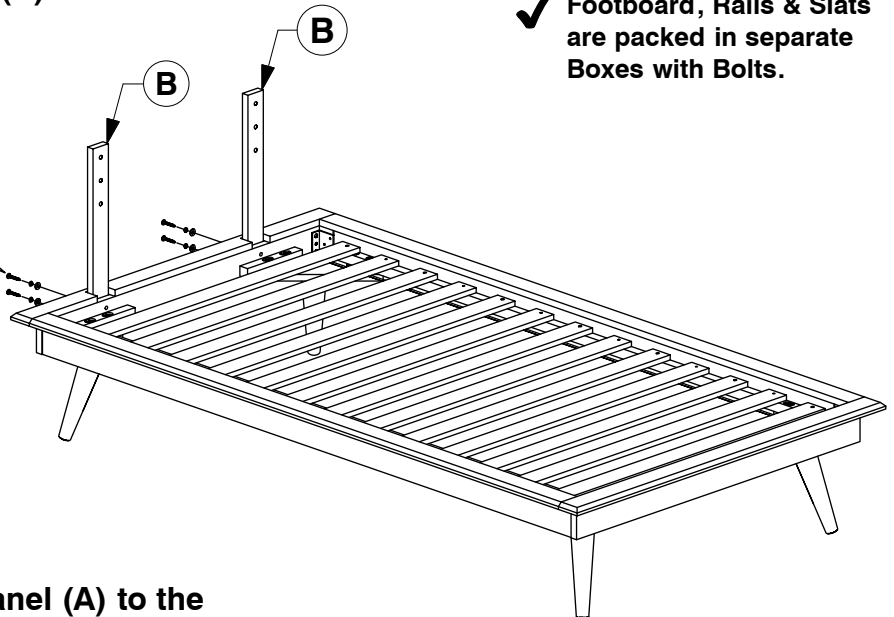
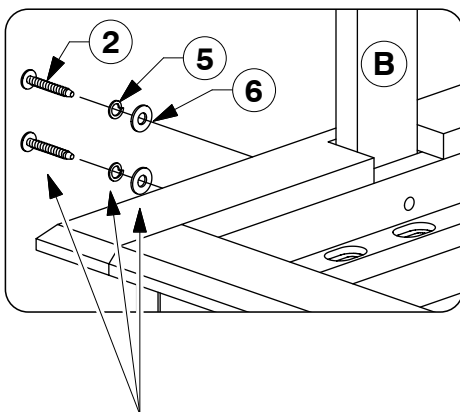
**3** Flat Washer x 6



**4** Allen Key x 1

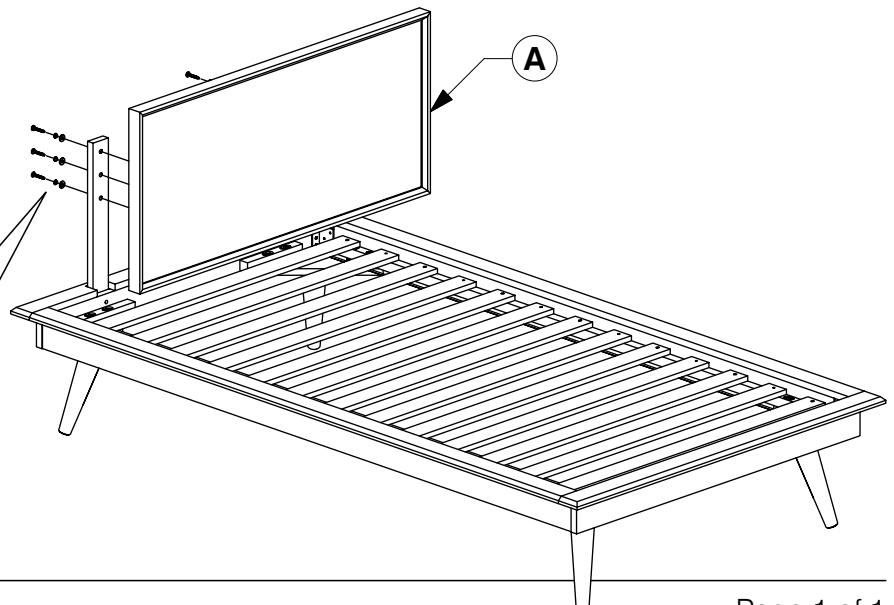
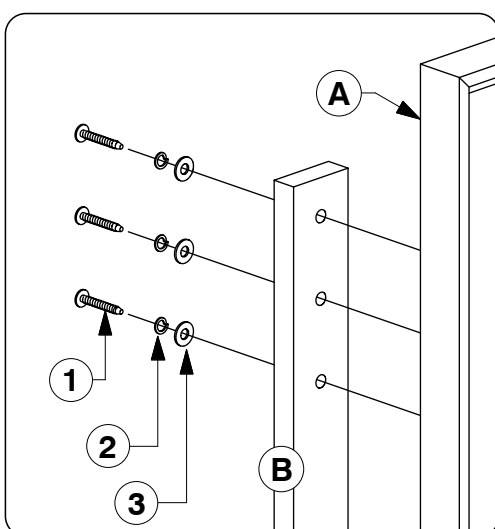
**Note:** Do not assemble using power tools. This can cause the bolts to be overtightened

### 3 Assemble the Support Bars (B) to the Headboard Panel.



Note: Bolts & Washers from Footboard, Rails & Slats Box.

### 4 Assemble the Headboard Panel (A) to the Support Bars (B).

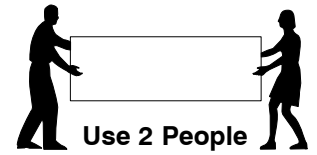
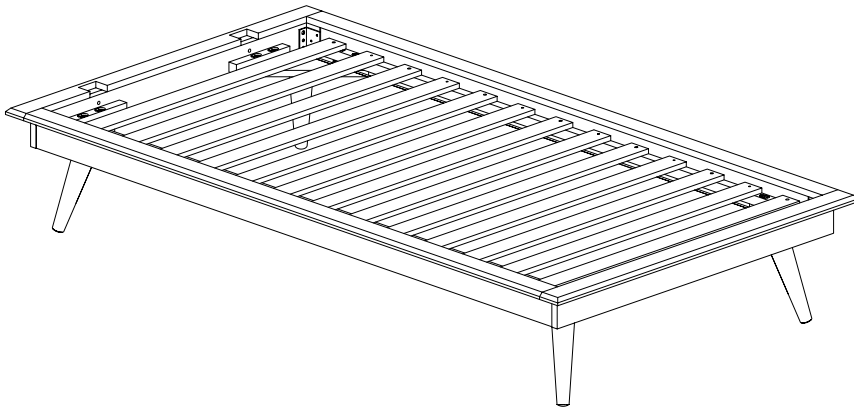


# 0004 Twin Bed

## Assembly Instructions

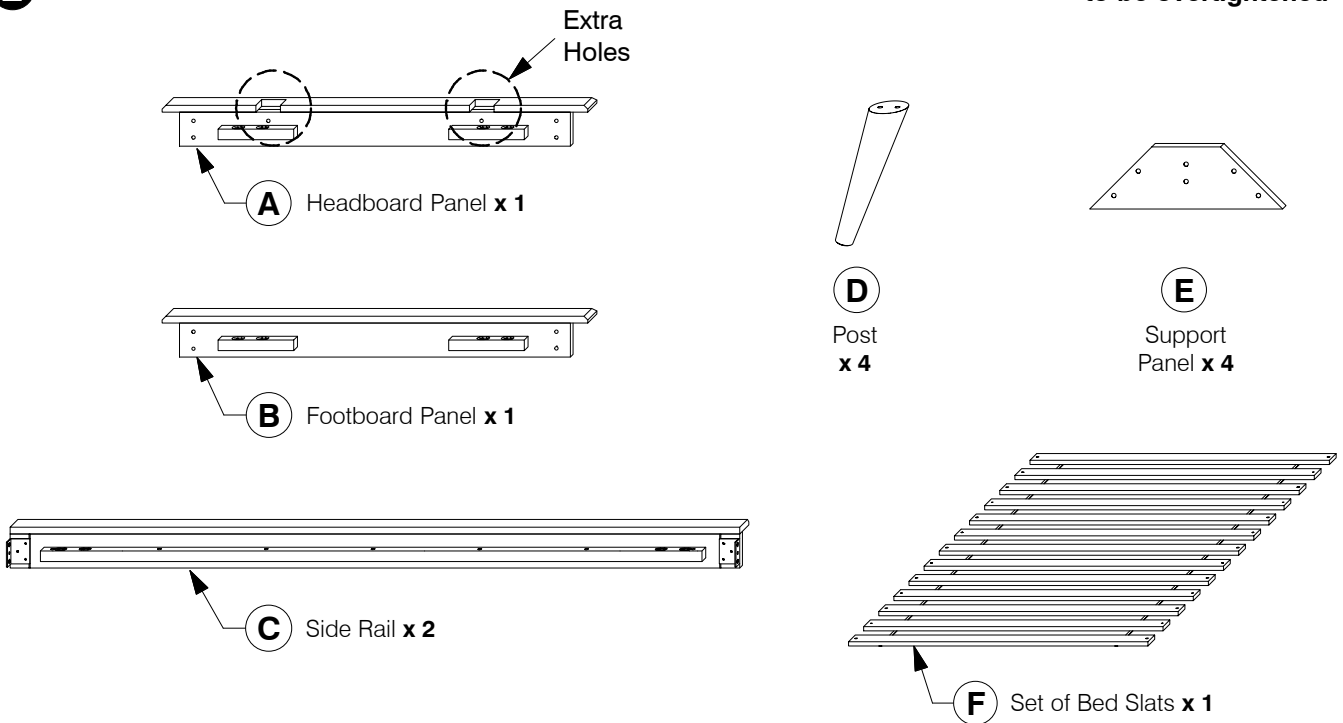
W11-0720

### 1 Assembled View



**Note:** Do not assemble using power tools. This can cause the bolts to be overtightened

### 2 Parts List



### 3 Hardware List



**1** M6 x 50mm JCB x 16



**2** M6 x 40mm JCB x 18



**3** M6 x 20mm JCB x 8



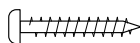
**4** M8 x 50mm JCB x 8



**5** Spring Washer x 28



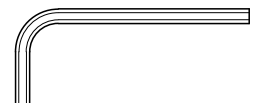
**6** Flat Washer x 28



**7** Wood Screw (M4 x 32mm) x 12



**8** M4 Allen Key x 1



**9** M5 Allen Key x 1

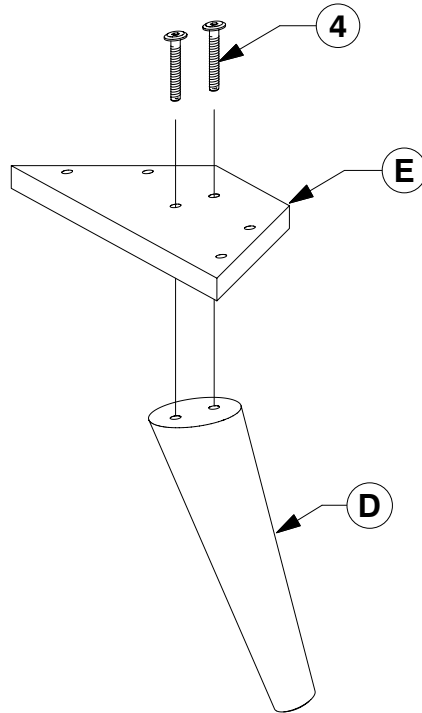
# 0004 Twin Bed

## Assembly Instructions

WII-0720

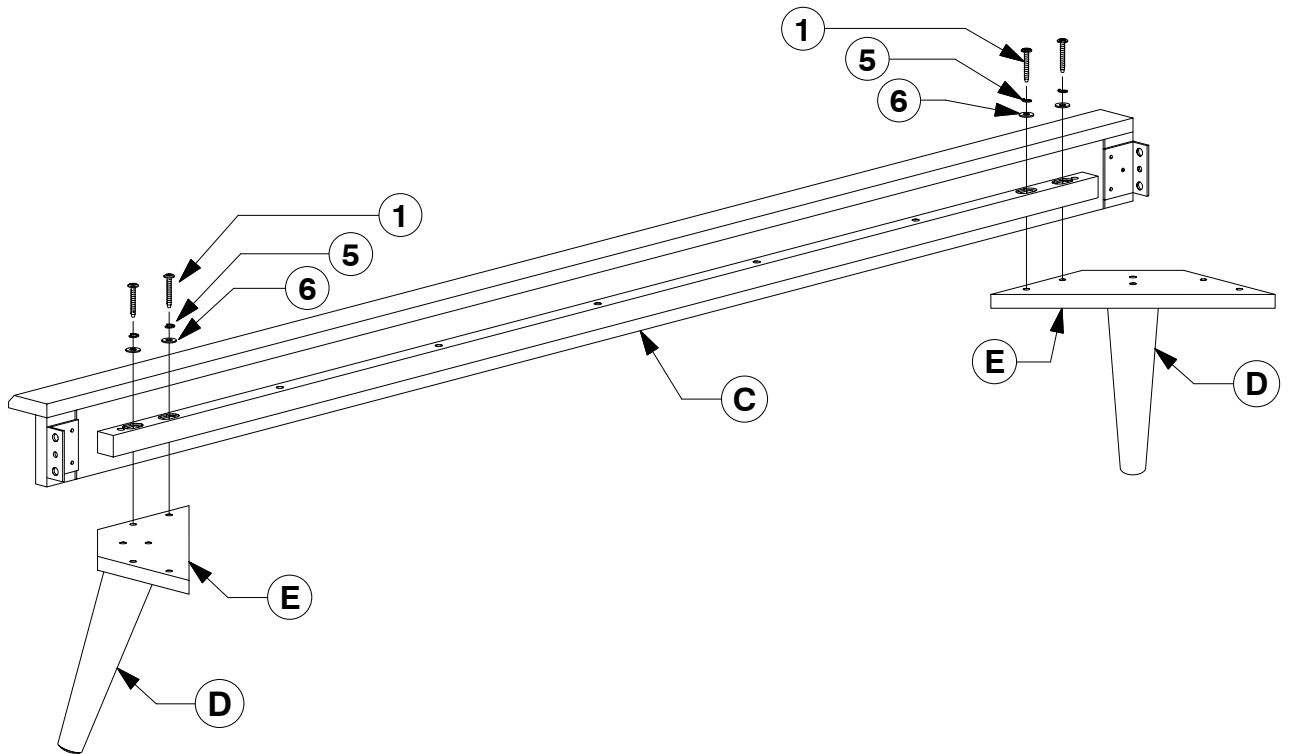
- 4** Fit the Post (D) to the Support Panel (E).

x4



- 5** Bolt the Post & Support Panel (D & E) to the Side Rail (C).

x2

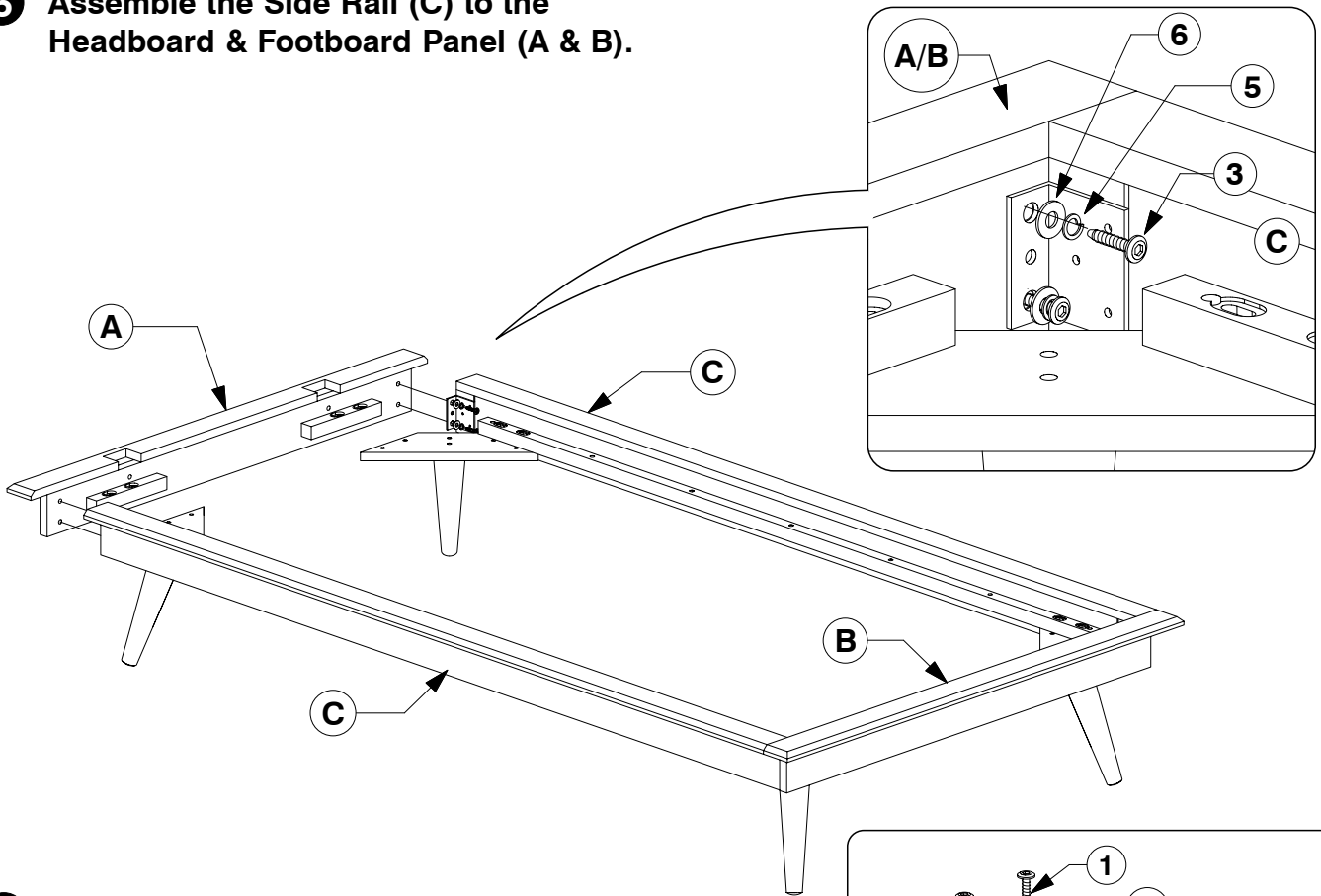


# 0004 Twin Bed

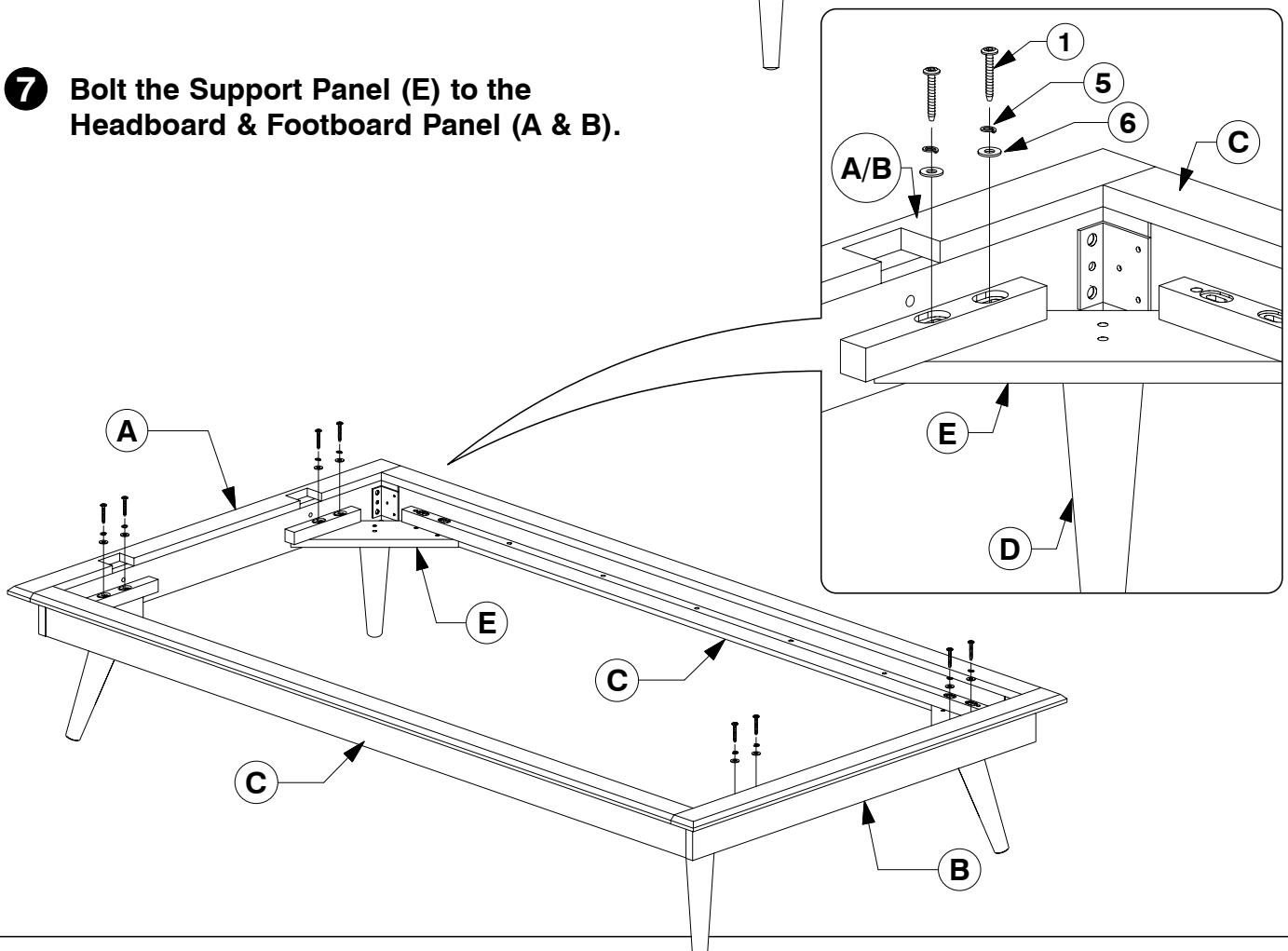
## Assembly Instructions

W11-0720

- 6** Assemble the Side Rail (C) to the Headboard & Footboard Panel (A & B).



- 7** Bolt the Support Panel (E) to the Headboard & Footboard Panel (A & B).

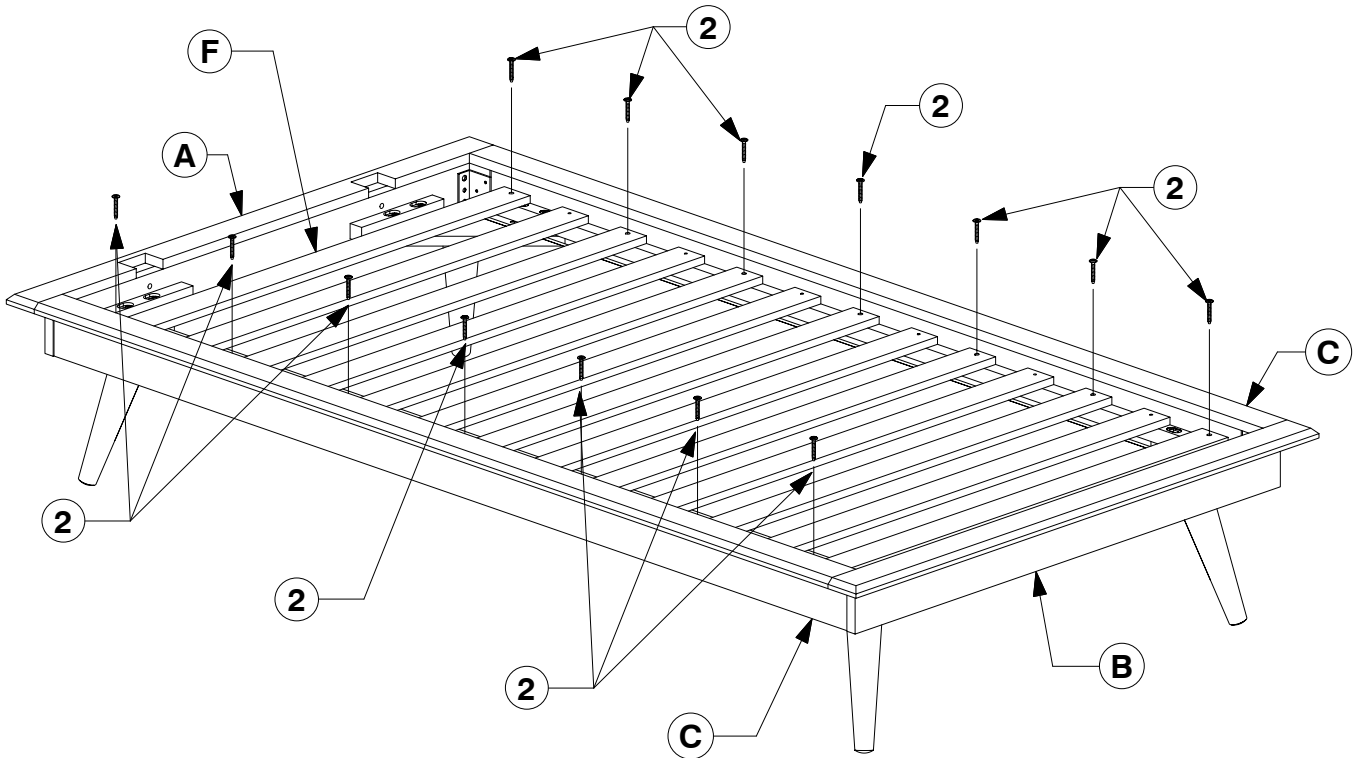


# 0004 Twin Bed

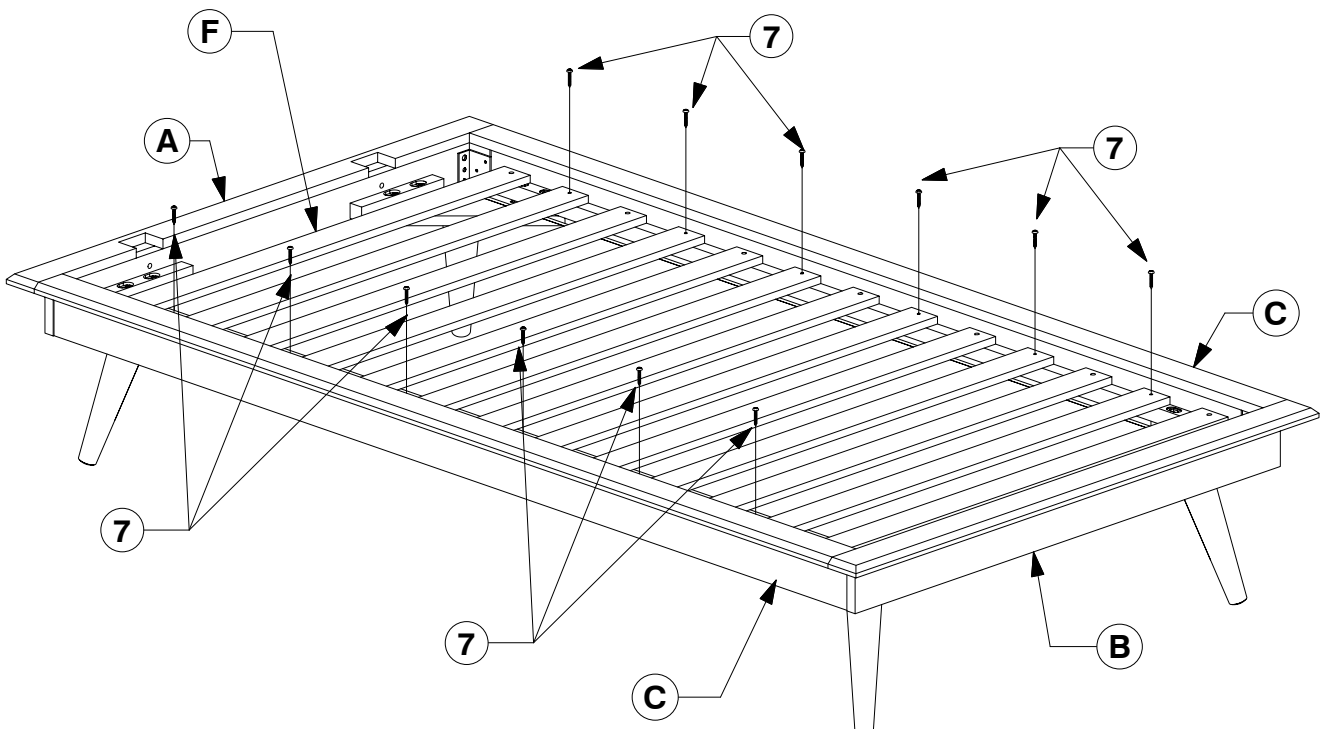
## Assembly Instructions

W11-0720

### 8 Bolt the Bed Slats (F) to the Side Rail (C).



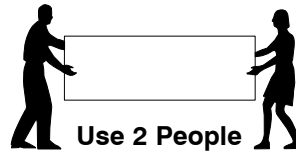
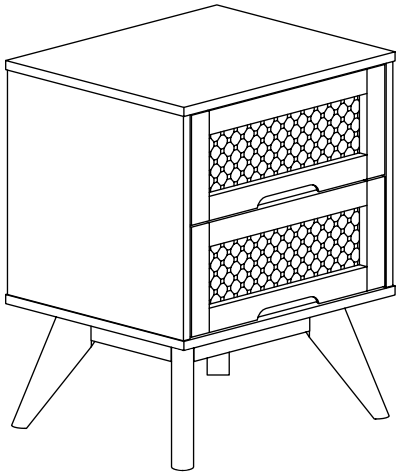
### 9 Screw the Bed Slats (F) to the Side Rail (C).



# 9001 2 Drawer Nightstand

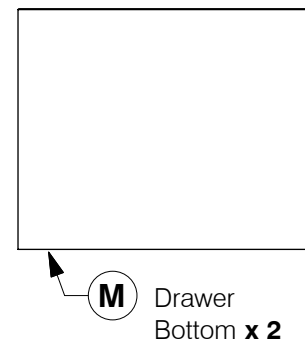
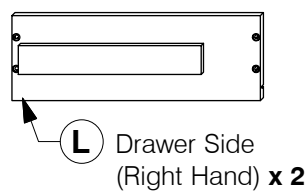
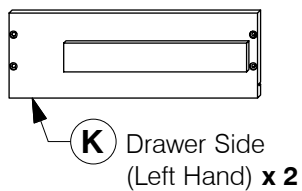
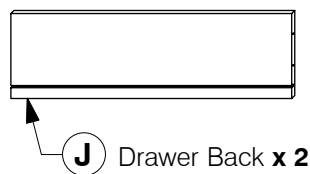
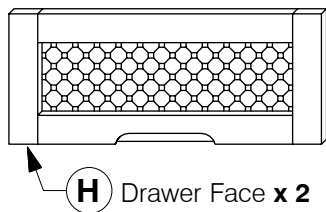
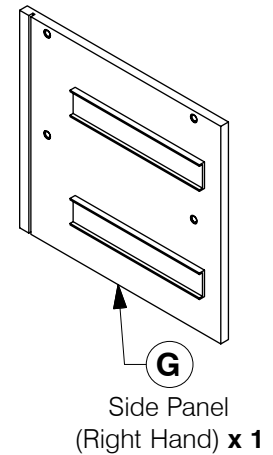
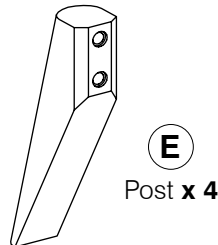
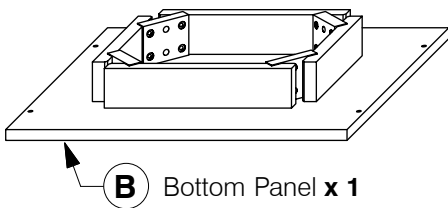
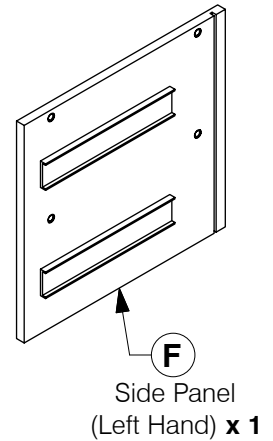
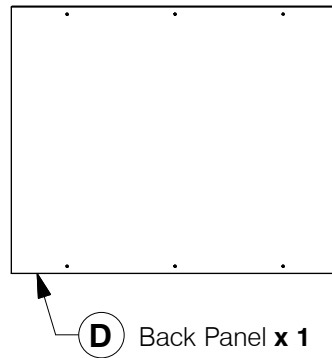
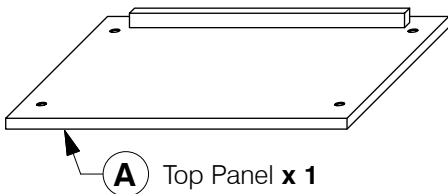
## Assembly Instructions

WI-1220



**Note:** Do not assemble using power tools. This can cause the bolts to be overtightened

### 1 Parts List

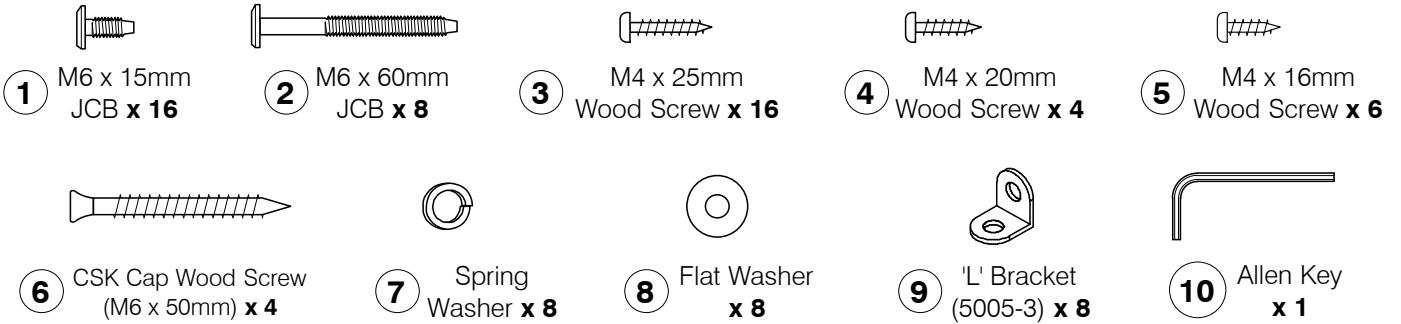


# 9001 2 Drawer Nightstand

## Assembly Instructions

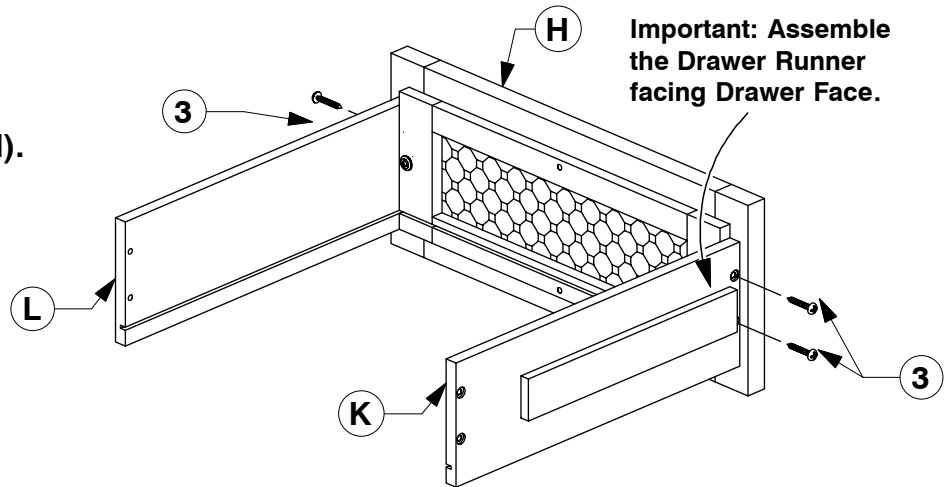
WI-1220

### 2 Hardware List

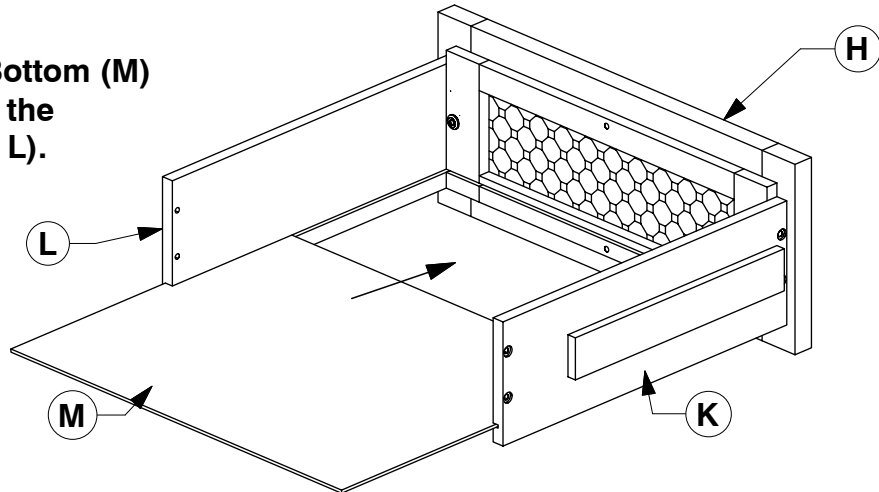


### 3 Assemble the Drawer Sides (K & L) to the Drawer Face (H).

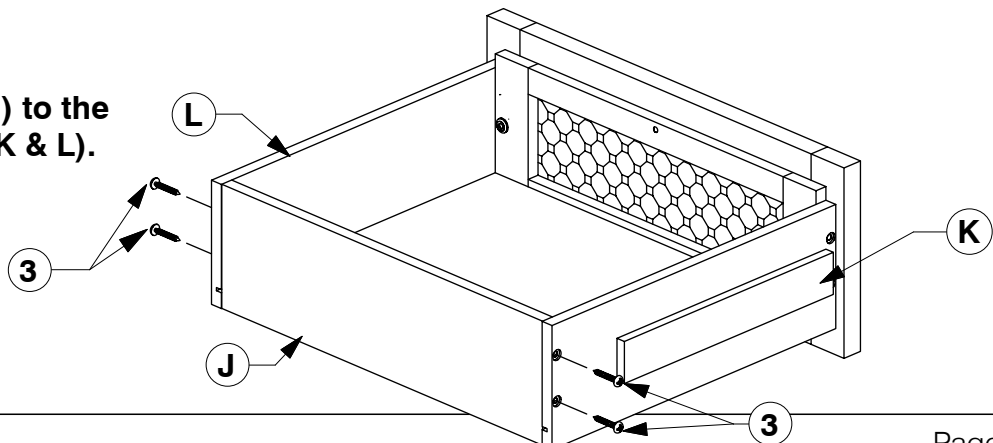
x2



### 4 Slide the Drawer Bottom (M) into the groove on the Drawer Sides (K & L).



### 5 Assemble the Drawer Back (J) to the Drawer Sides (K & L).

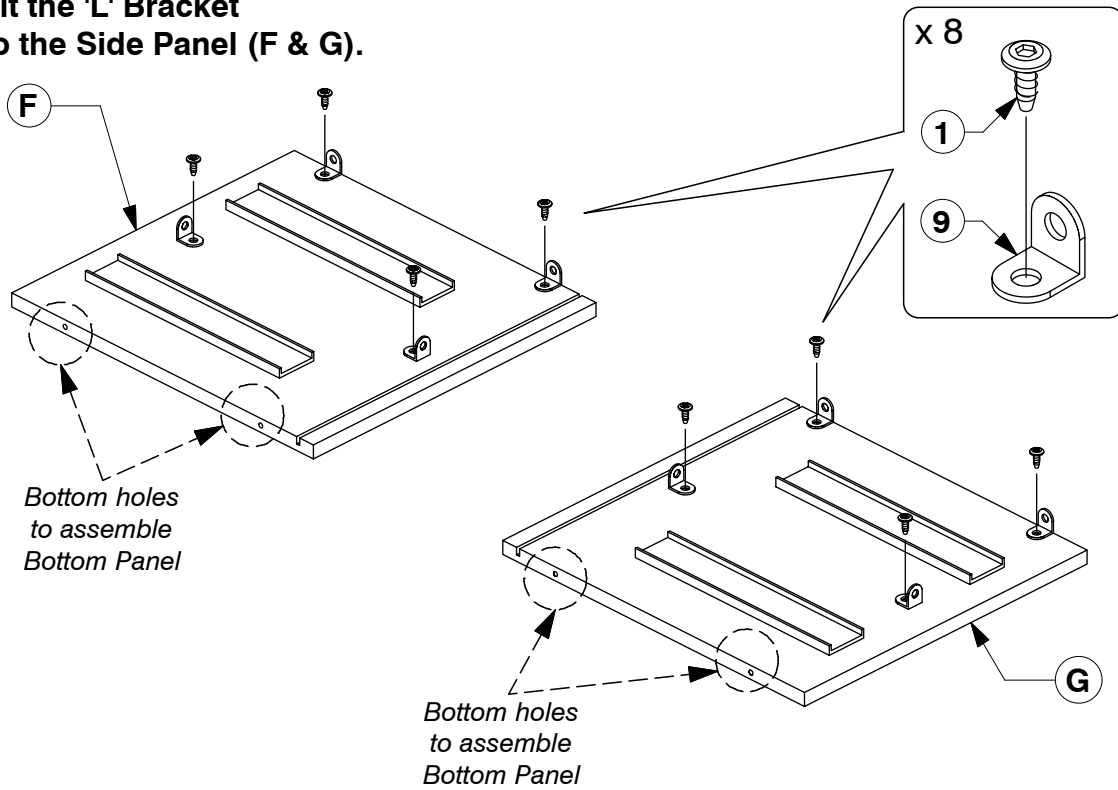


# 9001 2 Drawer Nightstand

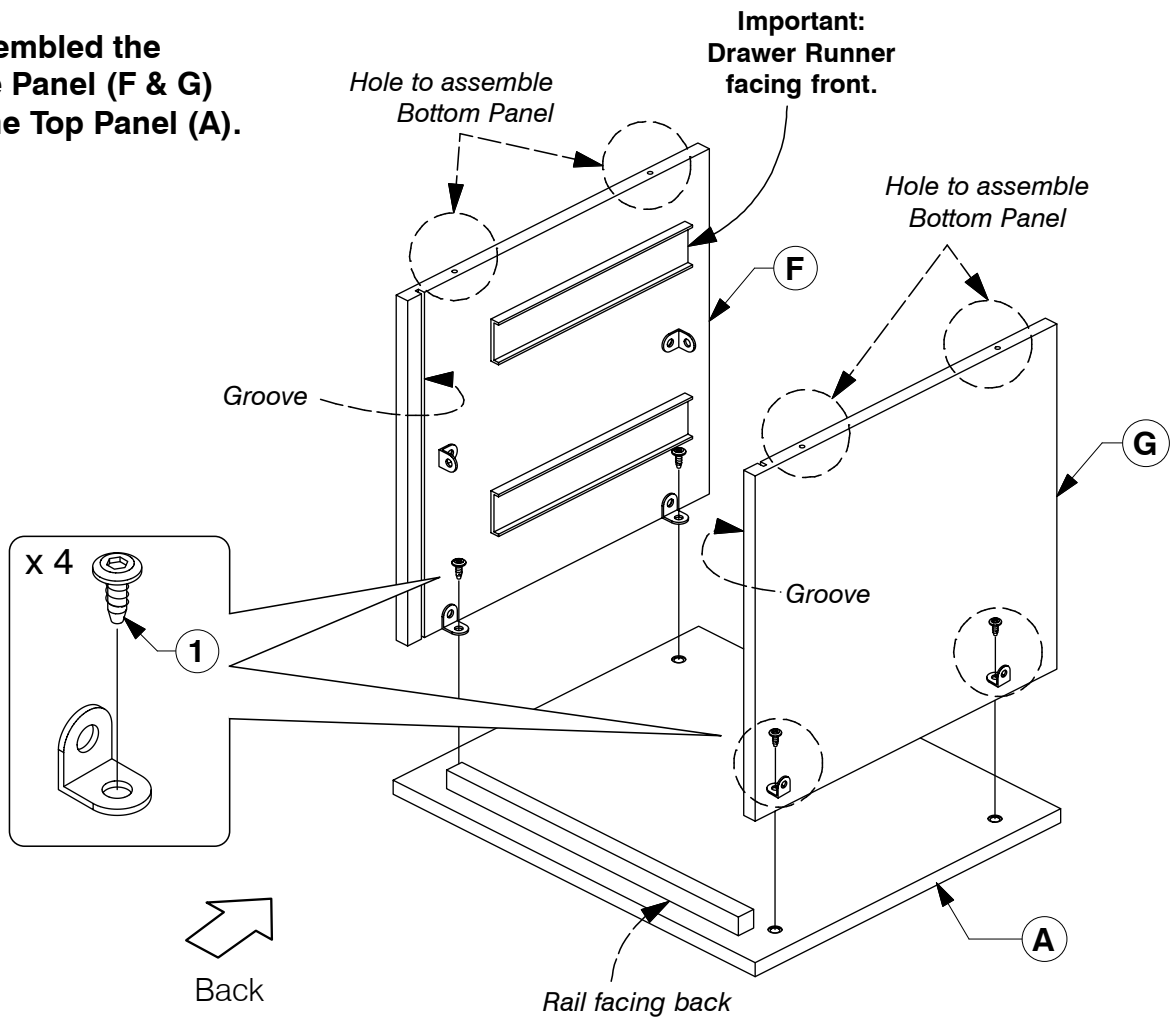
## Assembly Instructions

WI-1220

### 6 Fit the 'L' Bracket to the Side Panel (F & G).



### 7 Assembled the Side Panel (F & G) to the Top Panel (A).



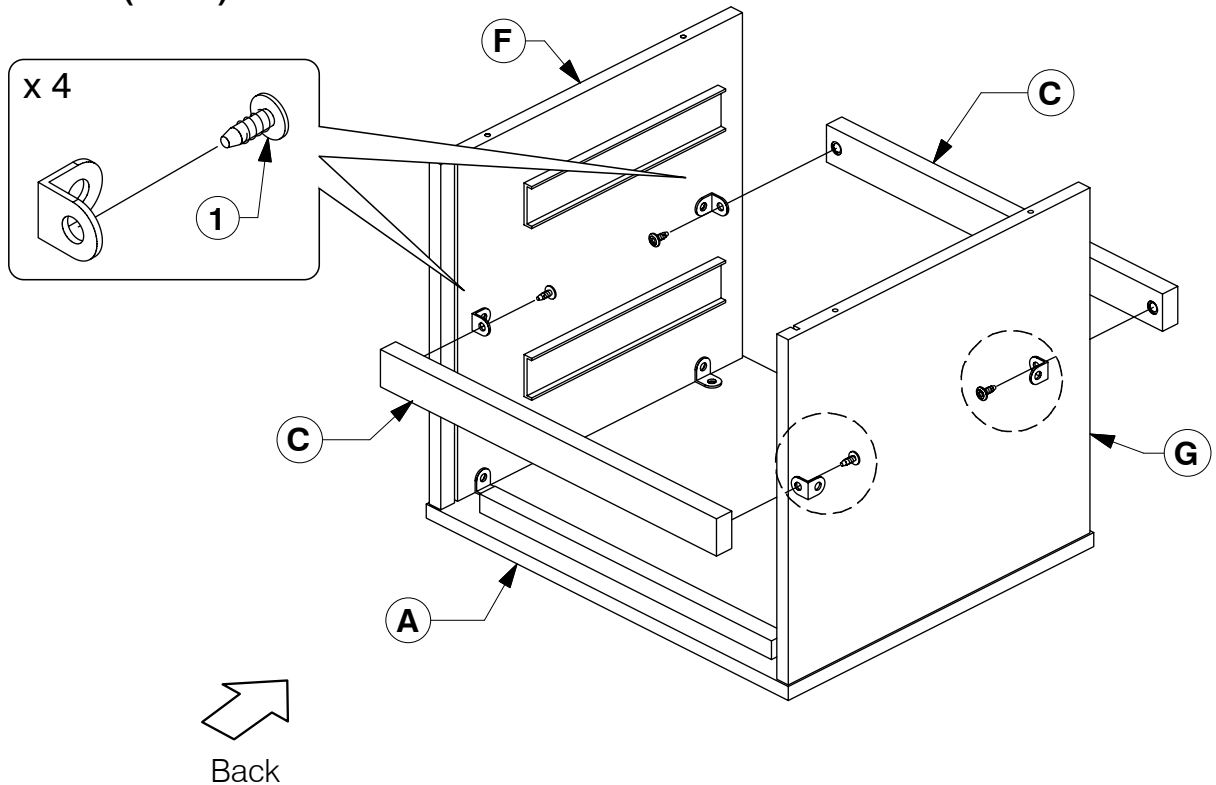


# 9001 2 Drawer Nightstand

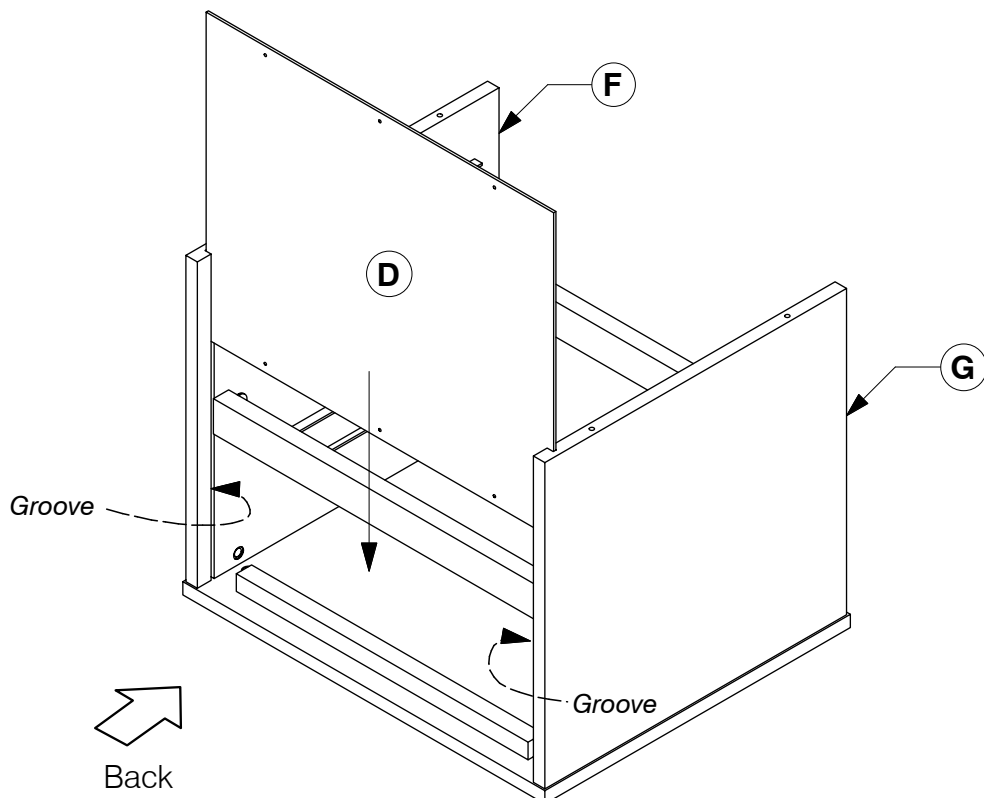
## Assembly Instructions

WI-1220

- 8** Fit the Support Bar (C) to the Side Panel (F & G).



- 9** Slide the Back Panel (D) into the groove on the back of the Side Panel (F & G).

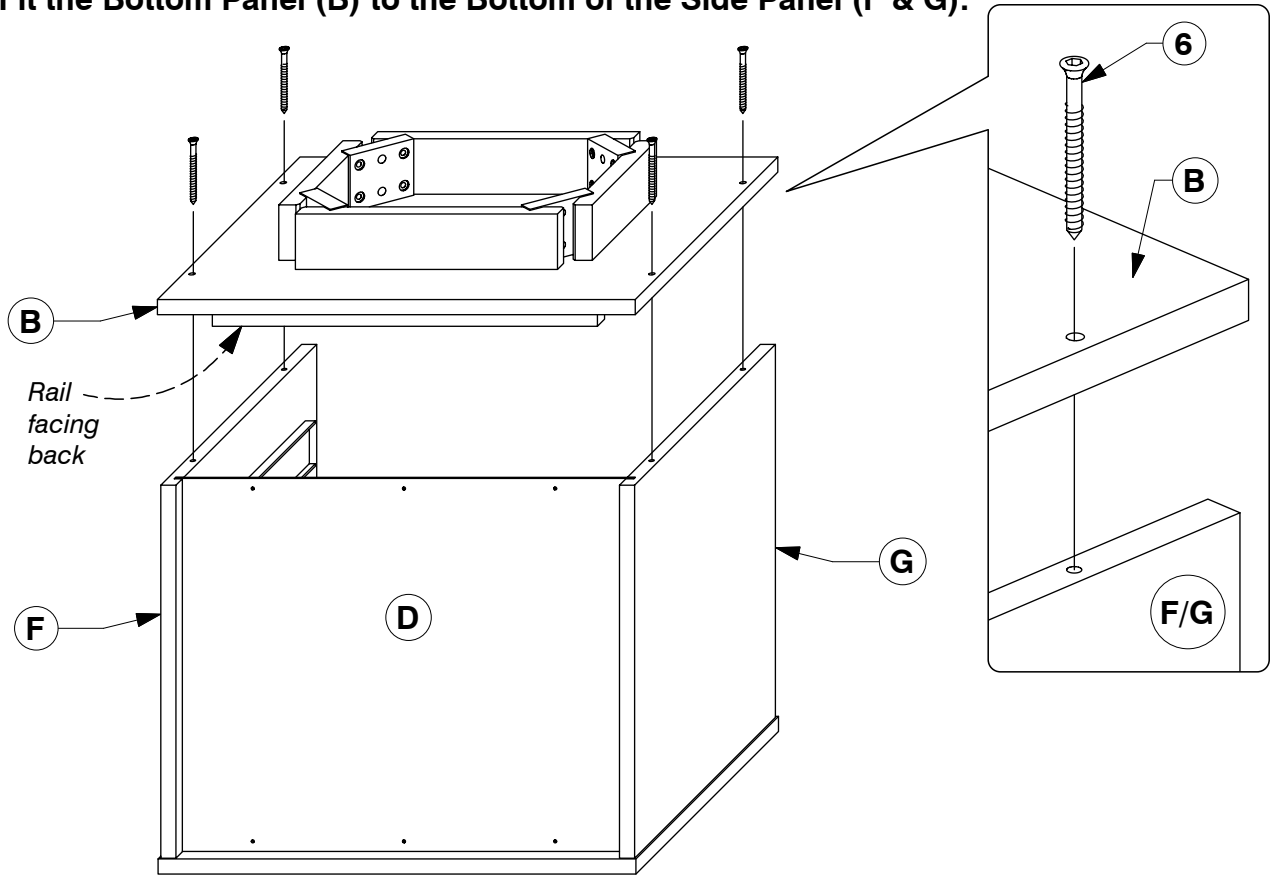


# 9001 2 Drawer Nightstand

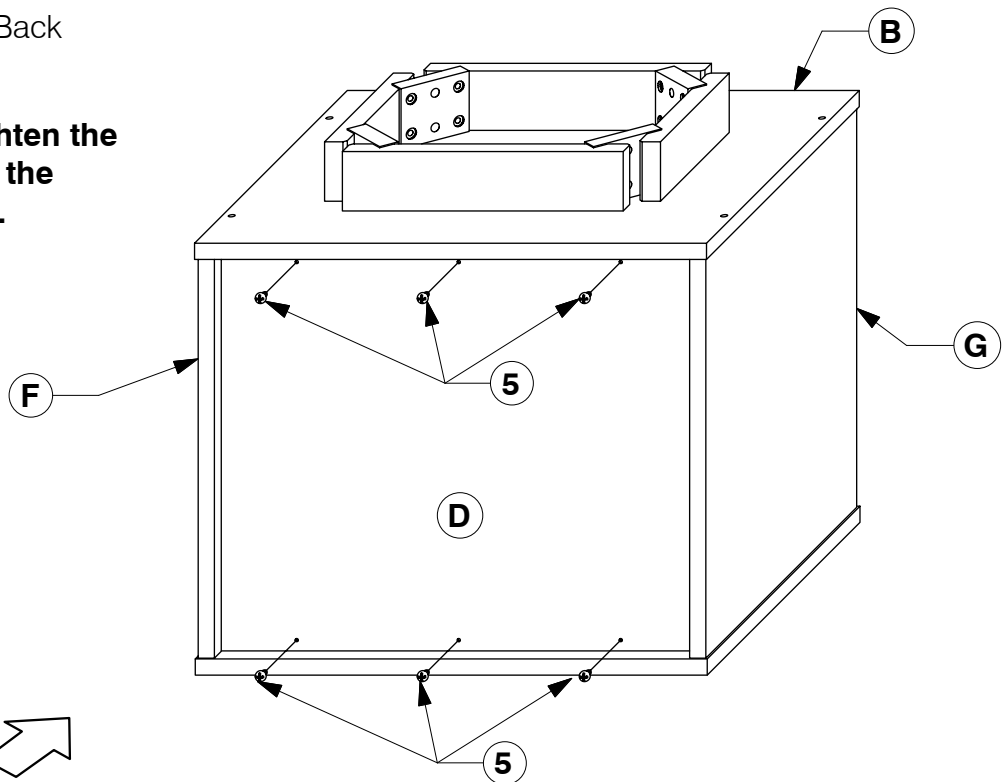
## Assembly Instructions

WI-1220

- 10** Fit the Bottom Panel (B) to the Bottom of the Side Panel (F & G).



- 11** Use screws to tighten the Back Panel (D) to the back of the frame.

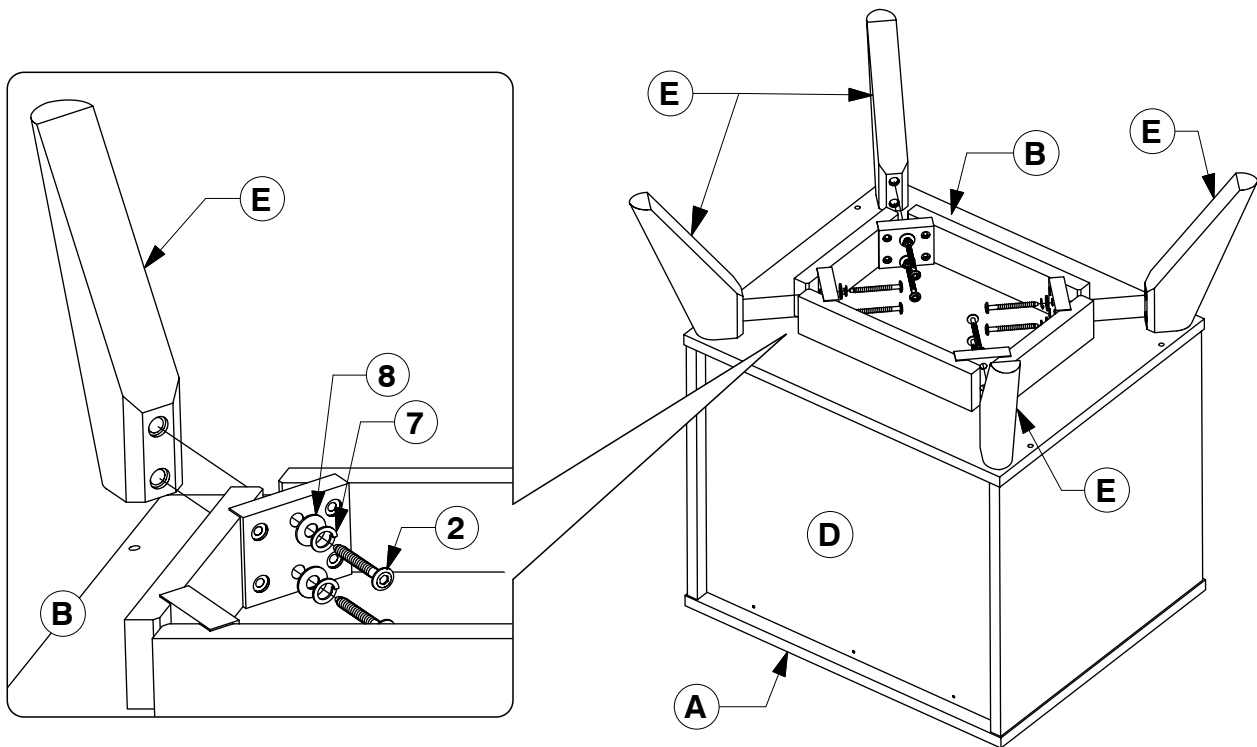


# 9001 2 Drawer Nightstand

## Assembly Instructions

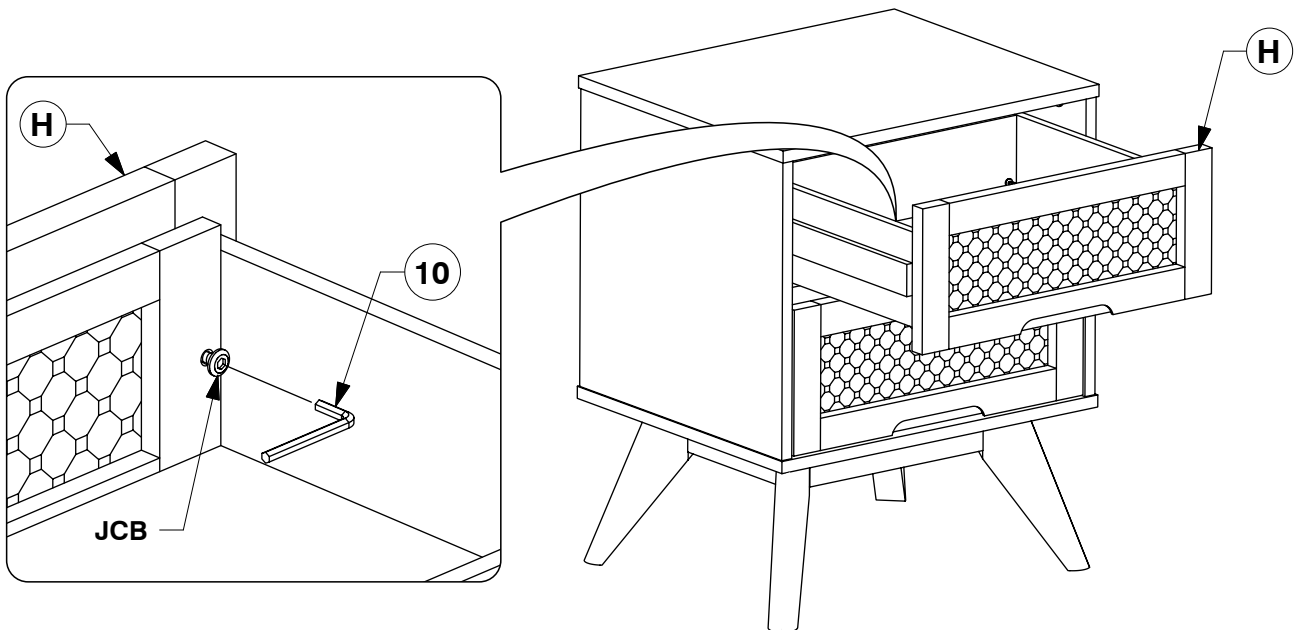
WI-1220

### 12 Fit the Post (E) to the Bottom Panel (B).



### 13 Fit and adjust the Drawer Face (H).

\* NOTE: Before fitting the Wood Screws.  
Loosen the JCBs on the Drawer Face if  
the face needs alignment.

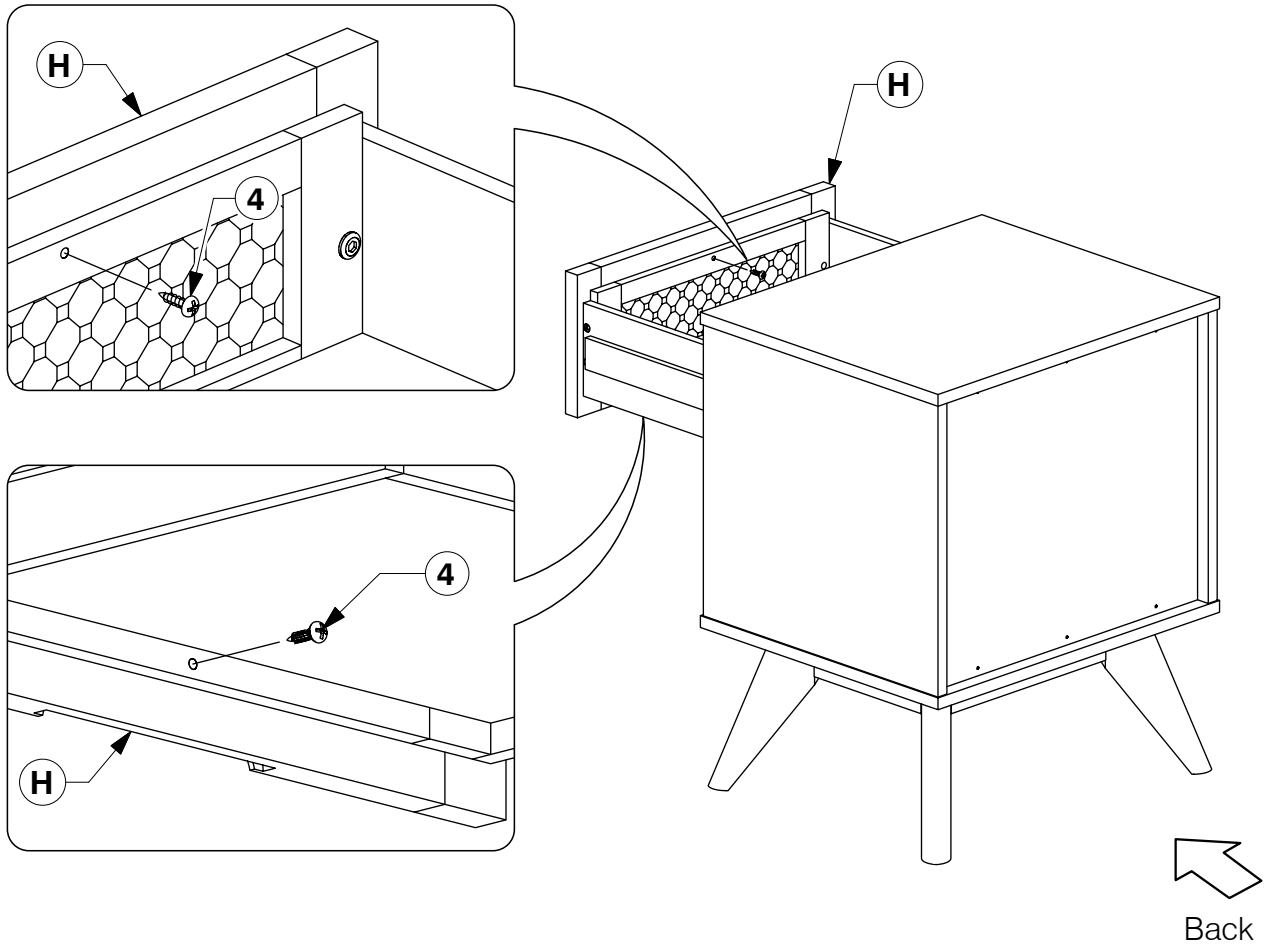


# 9001 2 Drawer Nightstand

## Assembly Instructions

WI-1220

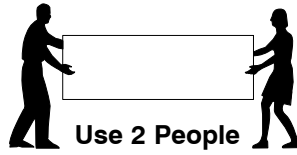
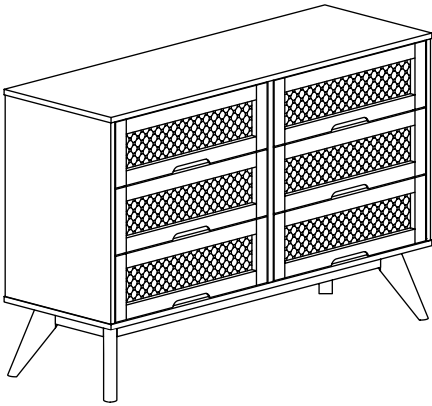
- 14** After the Drawer Faces (H) are aligned, secure with wood screws.



# 9001 6 Drawer Dresser

## Assembly Instructions

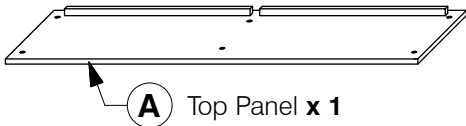
WI-1220



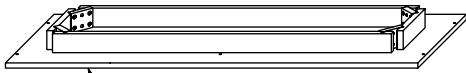
**Note:** Do not assemble using power tools. This can cause the bolts to be overtightened

### 1 Parts List

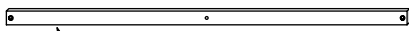
#### Parts in Box A:



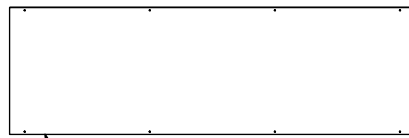
**A** Top Panel x 1



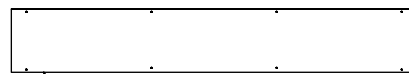
**B** Bottom Panel x 1



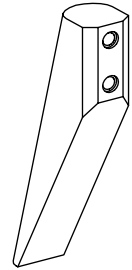
**C** Support Bar x 2



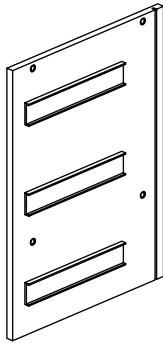
**D** Back Panel (Wider) x 1



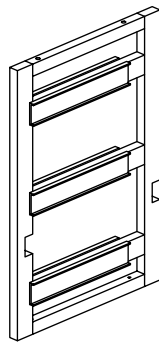
**E** Back Panel (Narrow) x 1



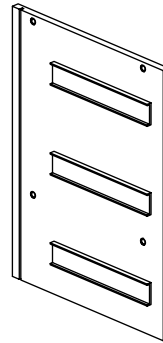
**F** Post x 4



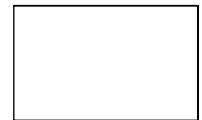
**G** Side Panel (Left Hand) x 1



**H** Center Frame x 1

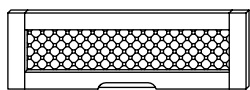


**J** Side Panel (Right Hand) x 1

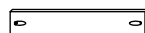


**K** Drawer Bottom x 6

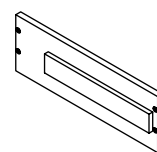
#### Parts in Box B:



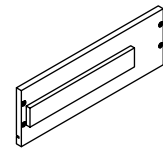
**L** Drawer Face x 6



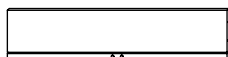
**N** Drawer Rail x 6



**O** Drawer Side (Left Hand) x 6



**P** Drawer Side (Right Hand) x 6



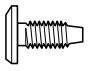


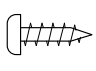
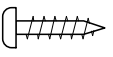
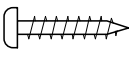

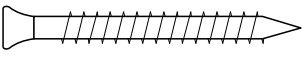


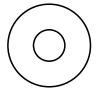

**M** Drawer Back x 6

# 9001 6 Drawer Dresser

## Assembly Instructions

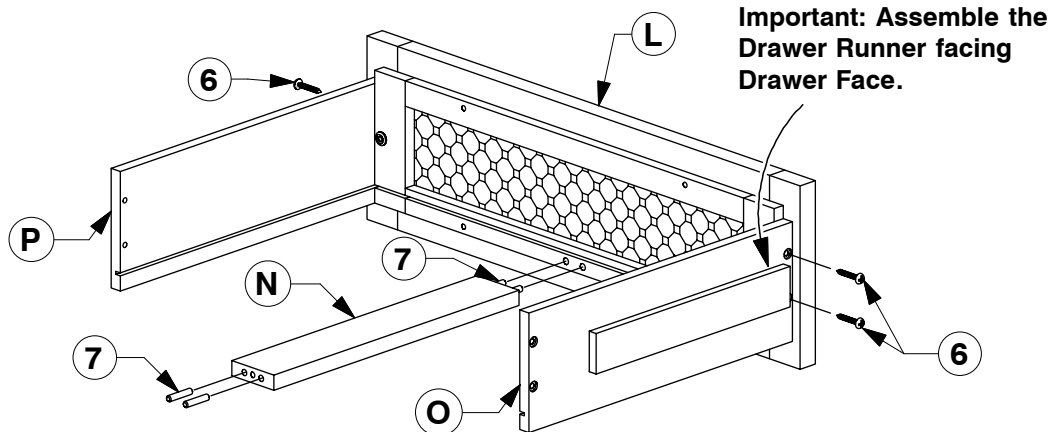
WI-1220

### 2 Hardware List

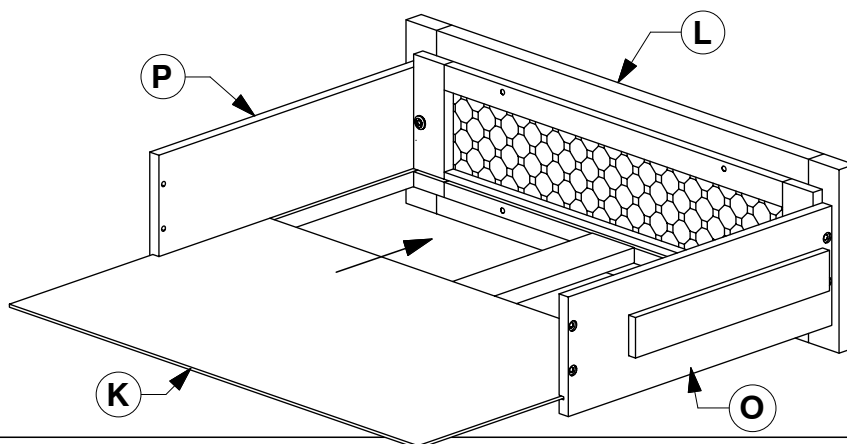
- |  |  |  |  |
|--|--|--|--|
| <br><b>1</b> M6 x 15mm JCB<br>x 16          | <br><b>2</b> M6 x 60mm JCB<br>x 8           | <br><b>3</b> M6 x 35mm JCB<br>x 4        | <br><b>4</b> Wood Screw (M4 x 16mm)<br>x 16     |
| <br><b>5</b> Wood Screw (M4 x 20mm)<br>x 24 | <br><b>6</b> Wood Screw (M4 x 25mm)<br>x 60 | <br><b>7</b> M6 x 25mm Wood Dowel<br>x 24 | <br><b>8</b> CSK Cap Wood Screw (M6 x 50mm) x 6 |
| <br><b>9</b> 'L' Bracket (5005-3) x 8       | <br><b>10</b> Spring Washer x 8             | <br><b>11</b> Flat Washer x 8            | <br><b>12</b> Allen Key x 1                     |

### 3 Assemble the Drawer Sides (O & P) & Drawer Rail (N) to the Drawer Face (L).

x6



### 4 Slide the Drawer Bottom (K) into the groove on the Drawer Sides (O & P).



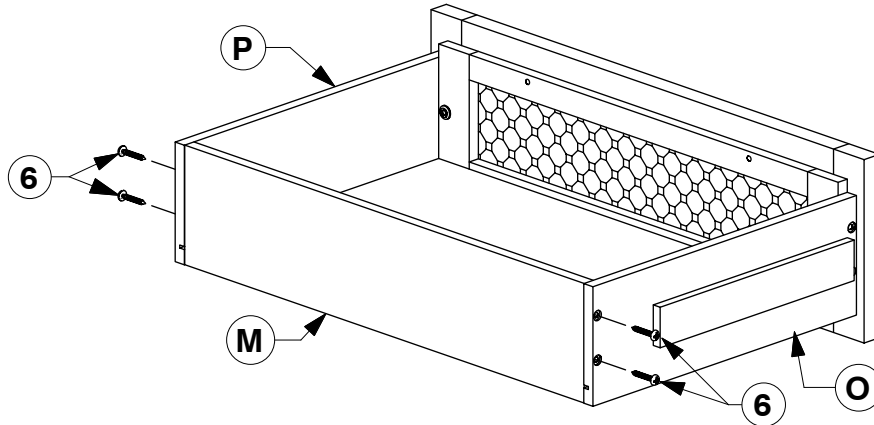
# 9001 6 Drawer Dresser

## Assembly Instructions

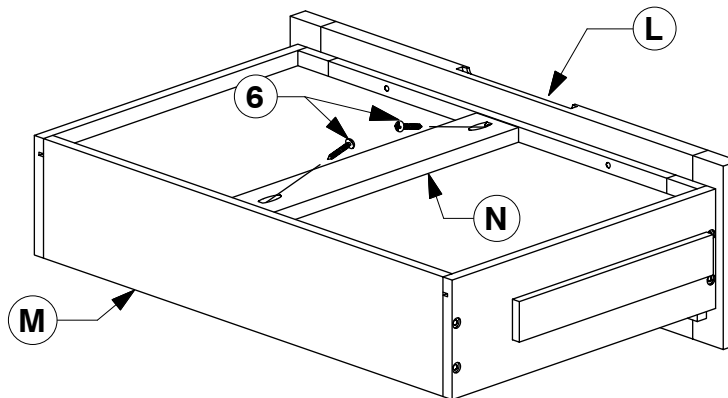
WI-1220

- 5** Assemble the Drawer Back (M) to the Drawer Sides (O & P).

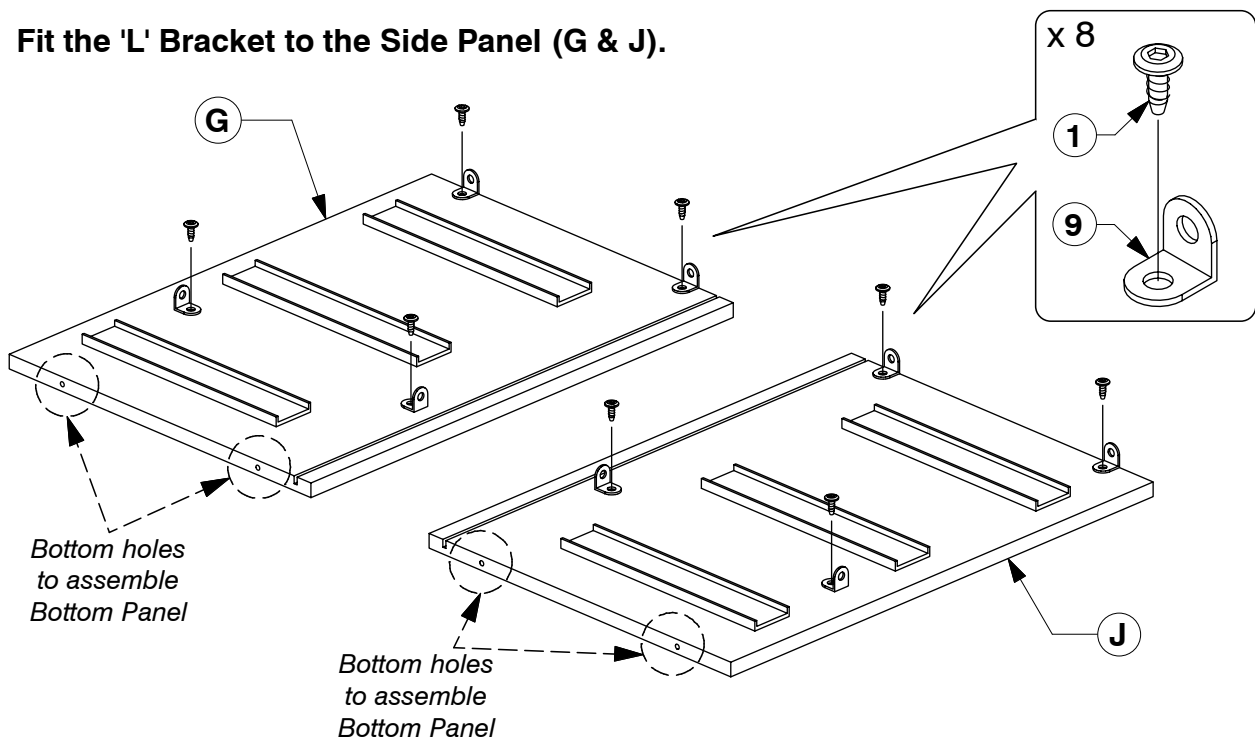
x6



- 6** Turn the Drawer over to fit angled 25mm Wood screws (6) to the Drawer Rail (N).



- 7** Fit the 'L' Bracket to the Side Panel (G & J).

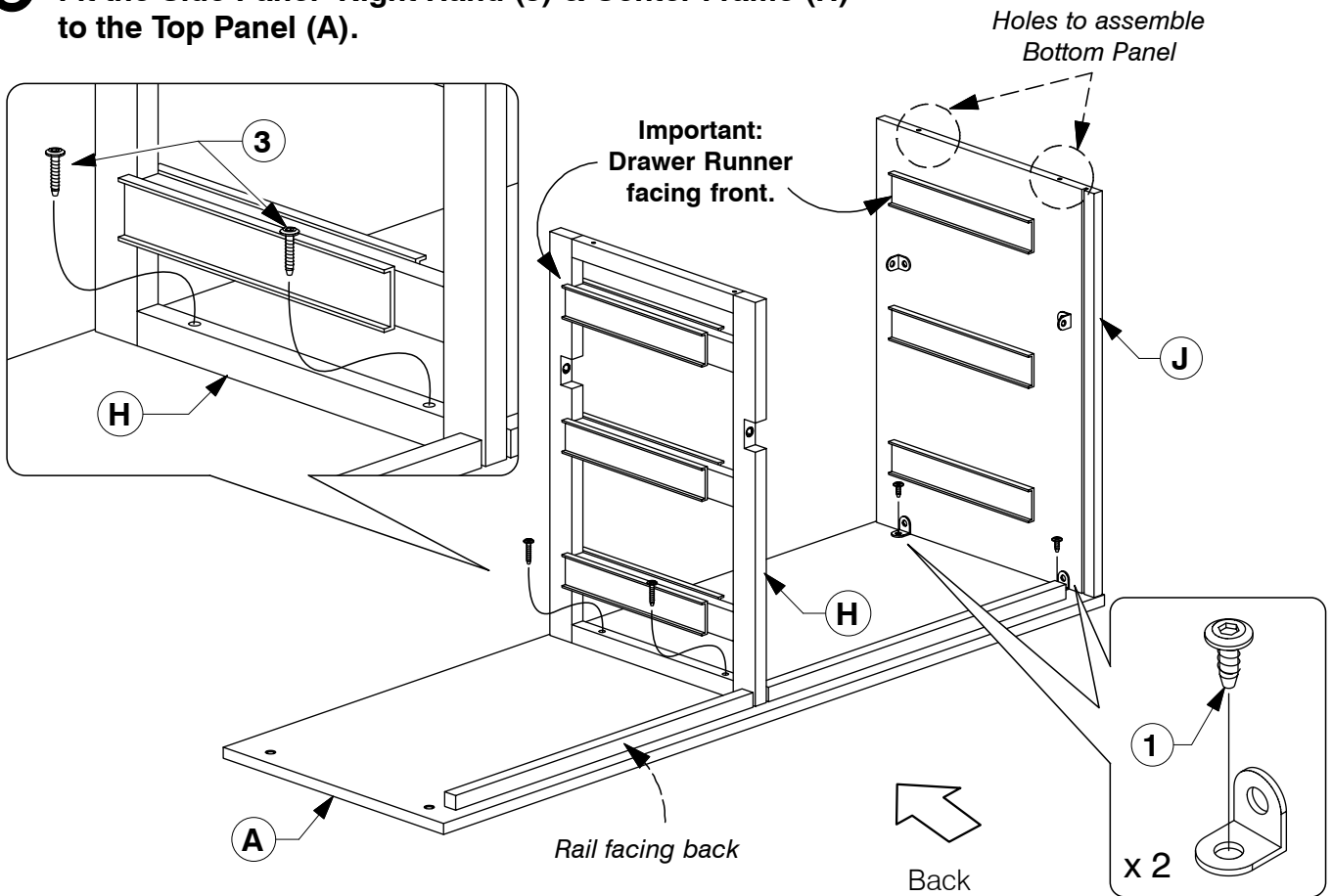


# 9001 6 Drawer Dresser

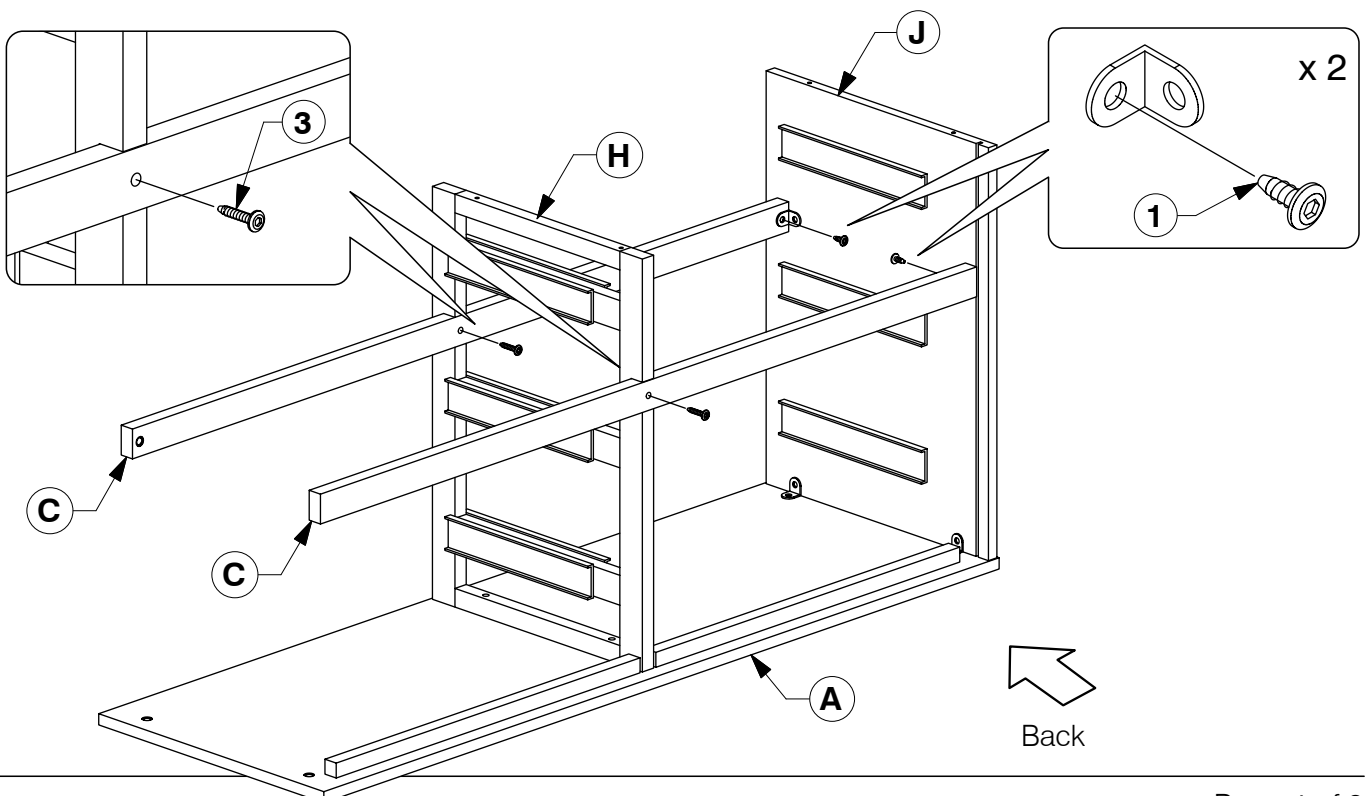
## Assembly Instructions

WI-1220

- 8** Fit the Side Panel- Right Hand (J) & Center Frame (H) to the Top Panel (A).



- 9** Fit the Support Bar (C) to the Side Panel- Right Hand (J) & Center Frame (H) as shown.



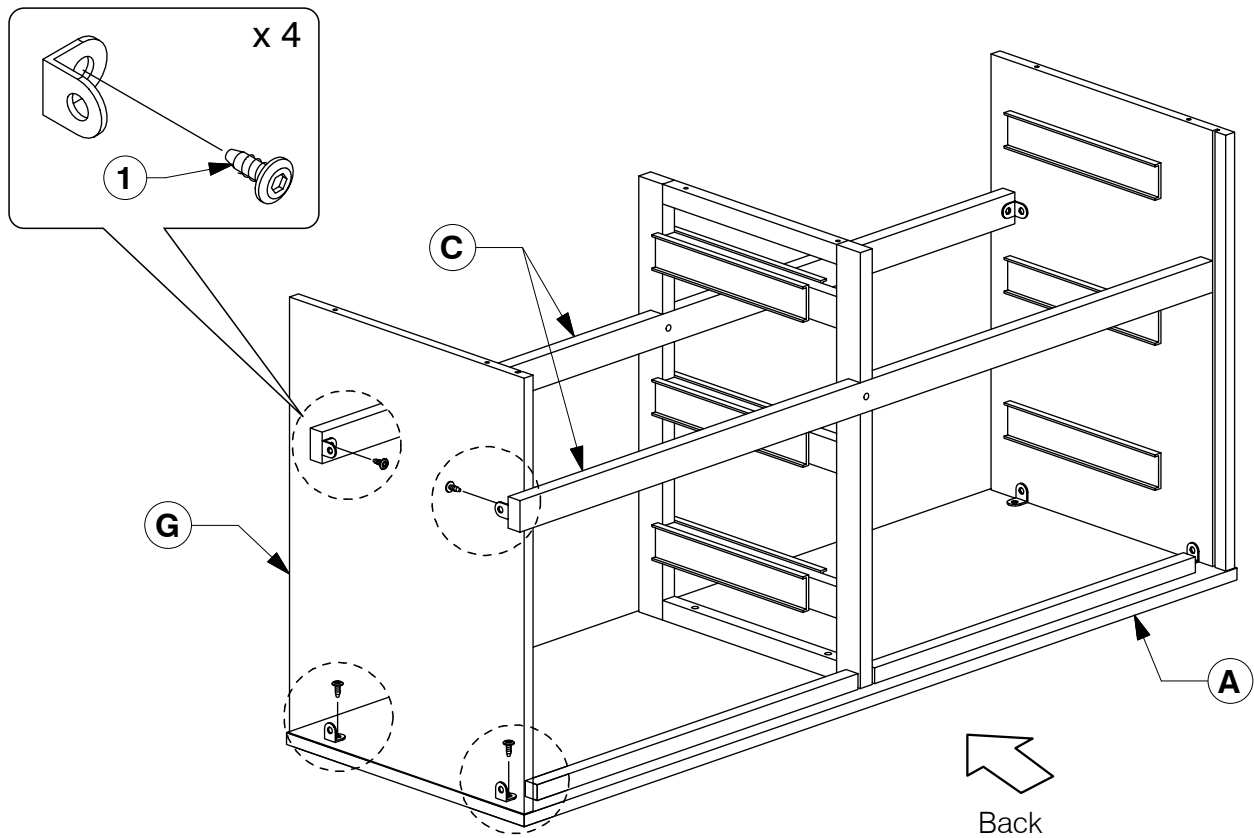


# 9001 6 Drawer Dresser

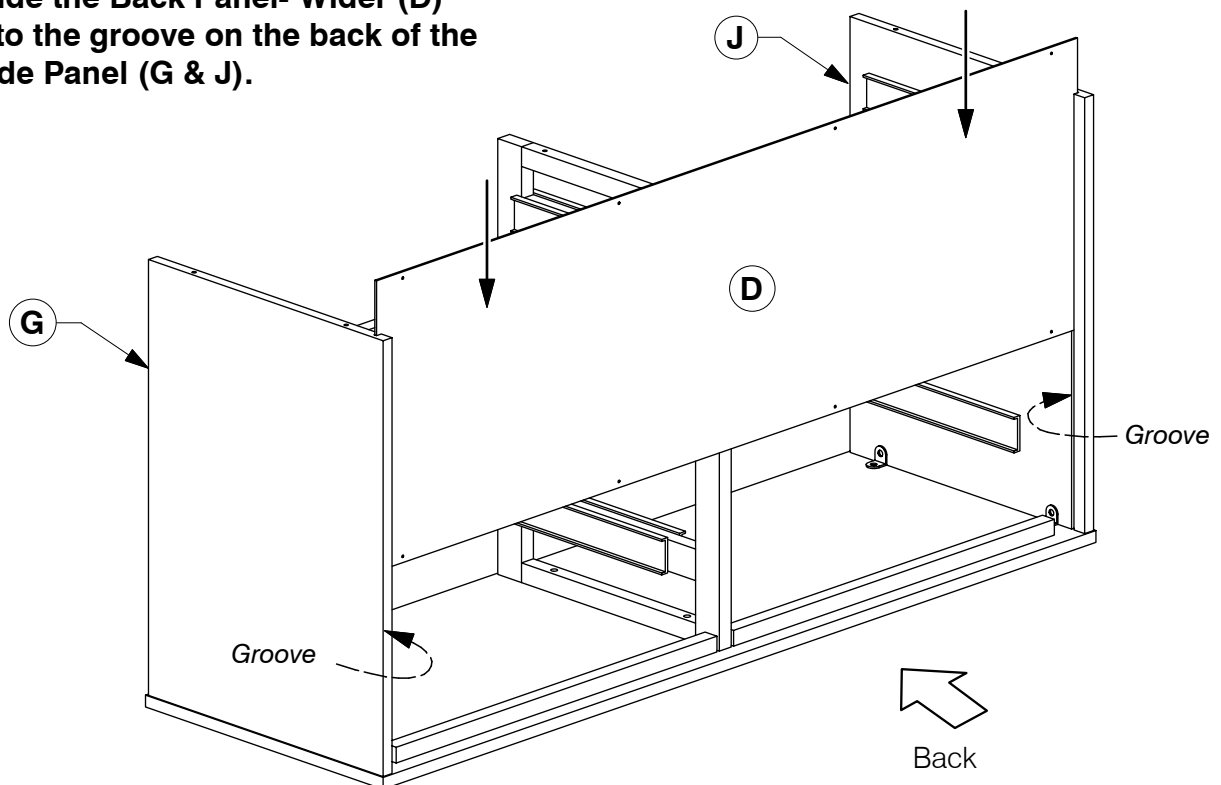
## Assembly Instructions

WI-1220

- 10** Fit the other side of Side Panel- Left Hand (G) to the Top Panel (A) & Support Bar (C).



- 11** Slide the Back Panel- Wider (D) into the groove on the back of the Side Panel (G & J).

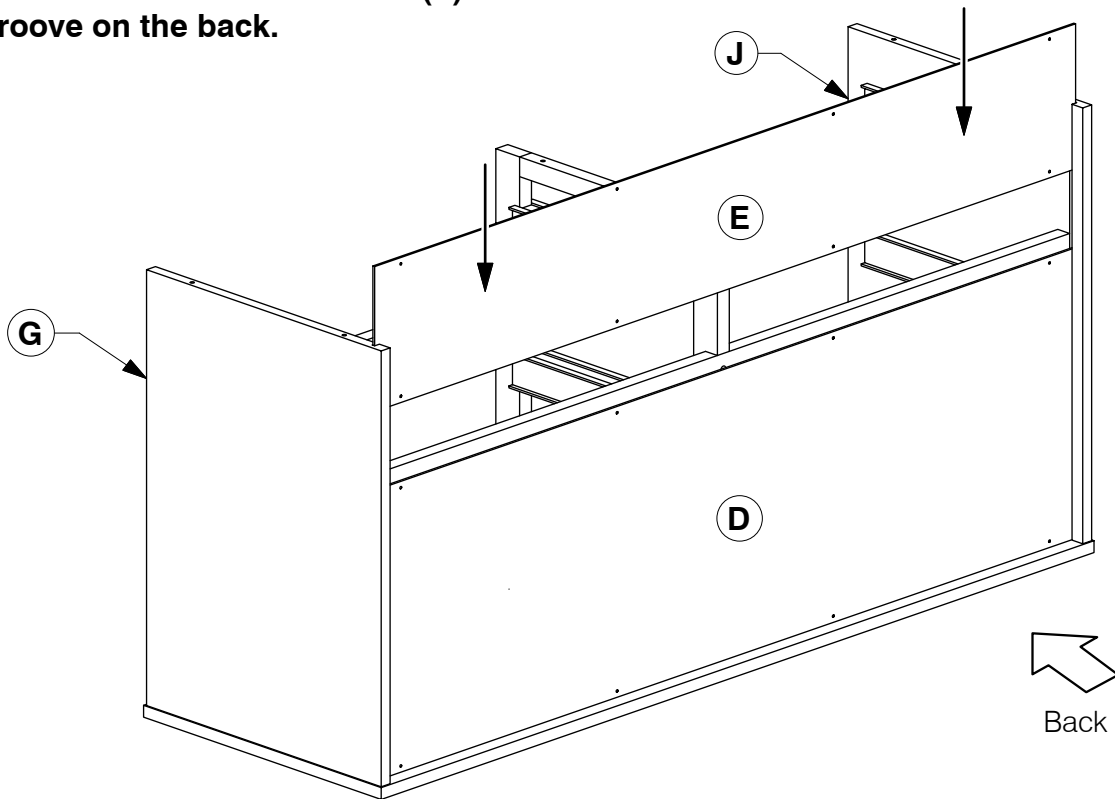


# 9001 6 Drawer Dresser

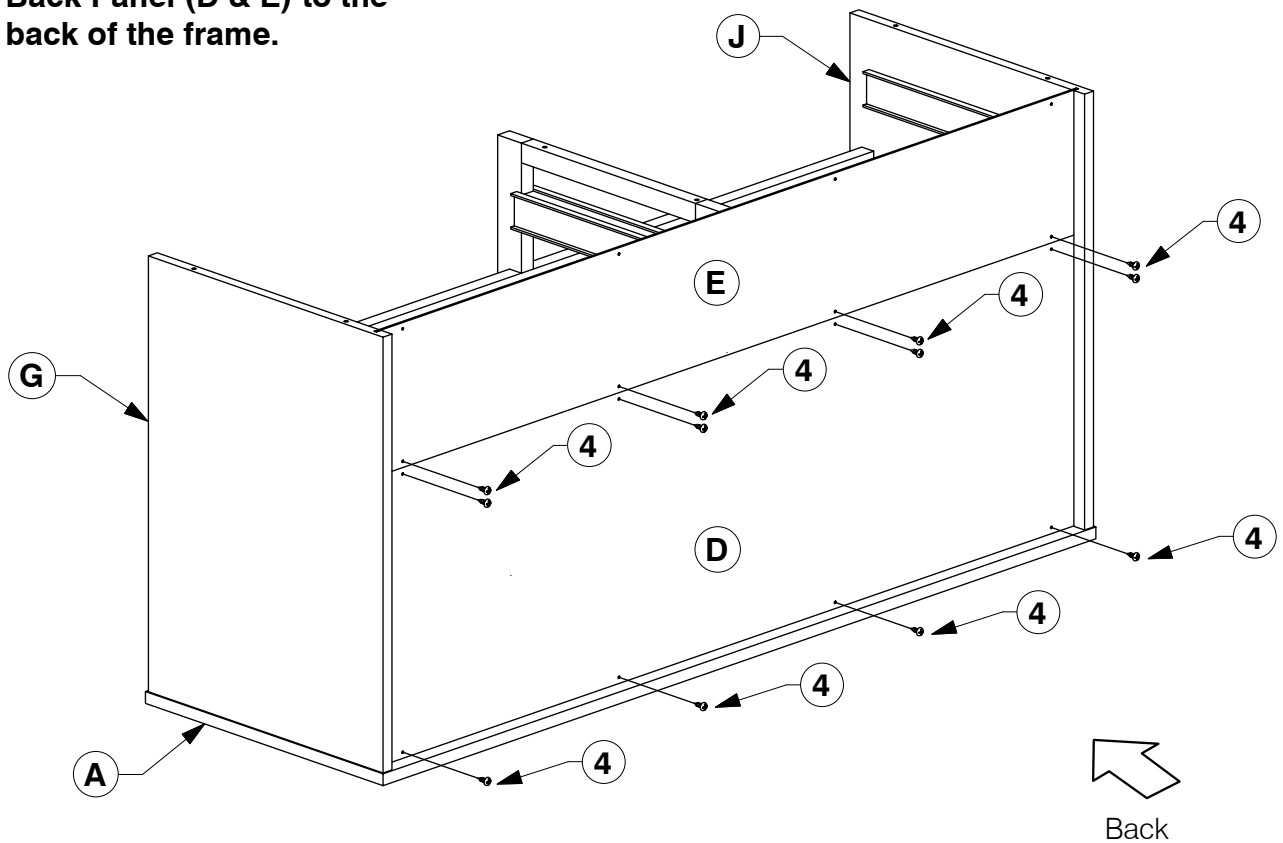
## Assembly Instructions

WI-1220

- 12** Slide the Back Panel-Narrow (E) into the groove on the back.



- 13** Use screws to tighten the Back Panel (D & E) to the back of the frame.

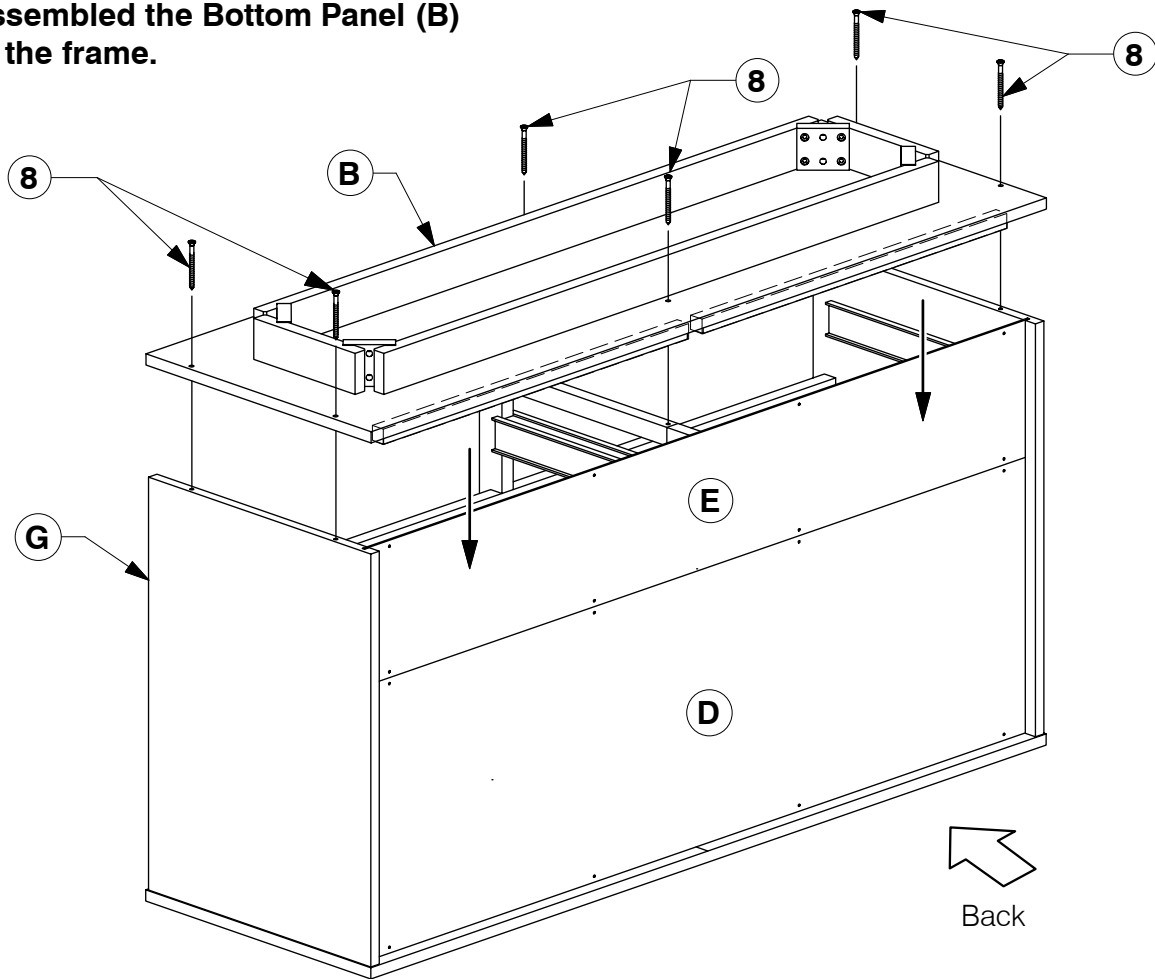


# 9001 6 Drawer Dresser

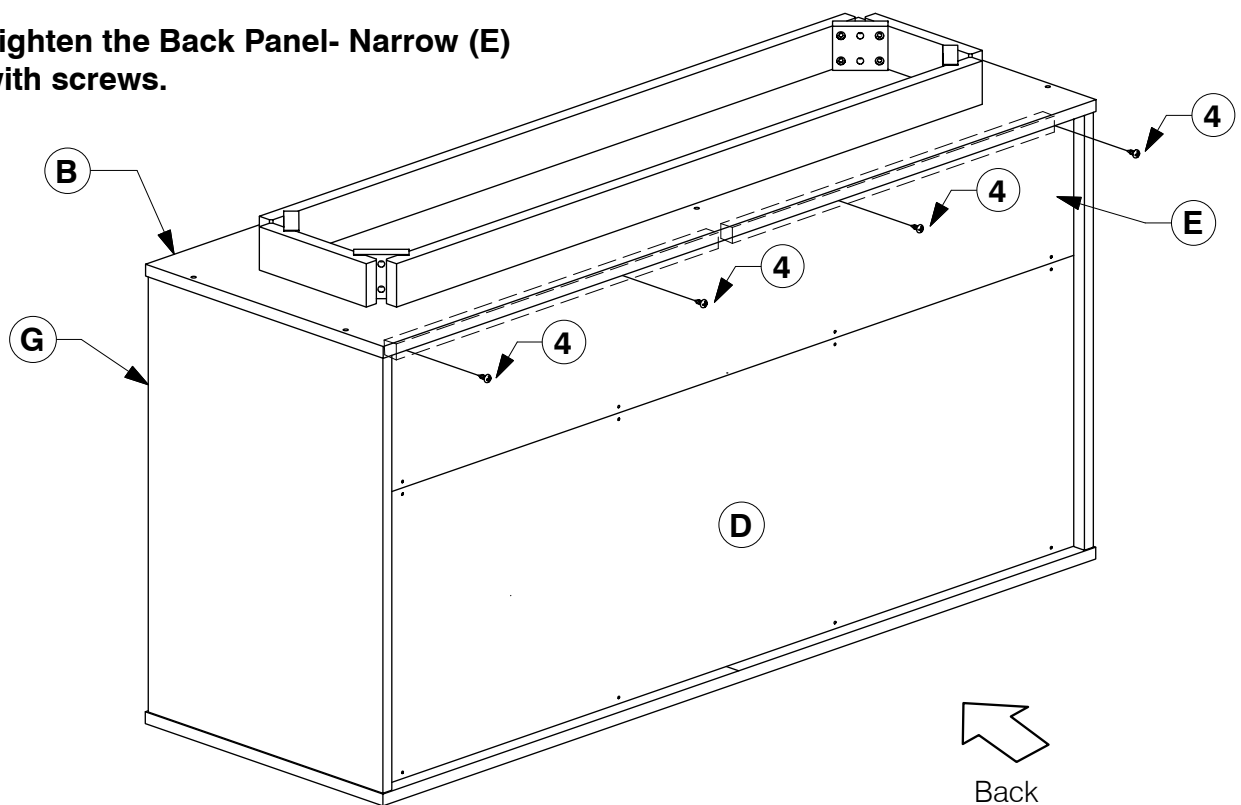
## Assembly Instructions

WI-1220

- 14** Assembled the Bottom Panel (B) to the frame.



- 15** Tighten the Back Panel- Narrow (E) with screws.

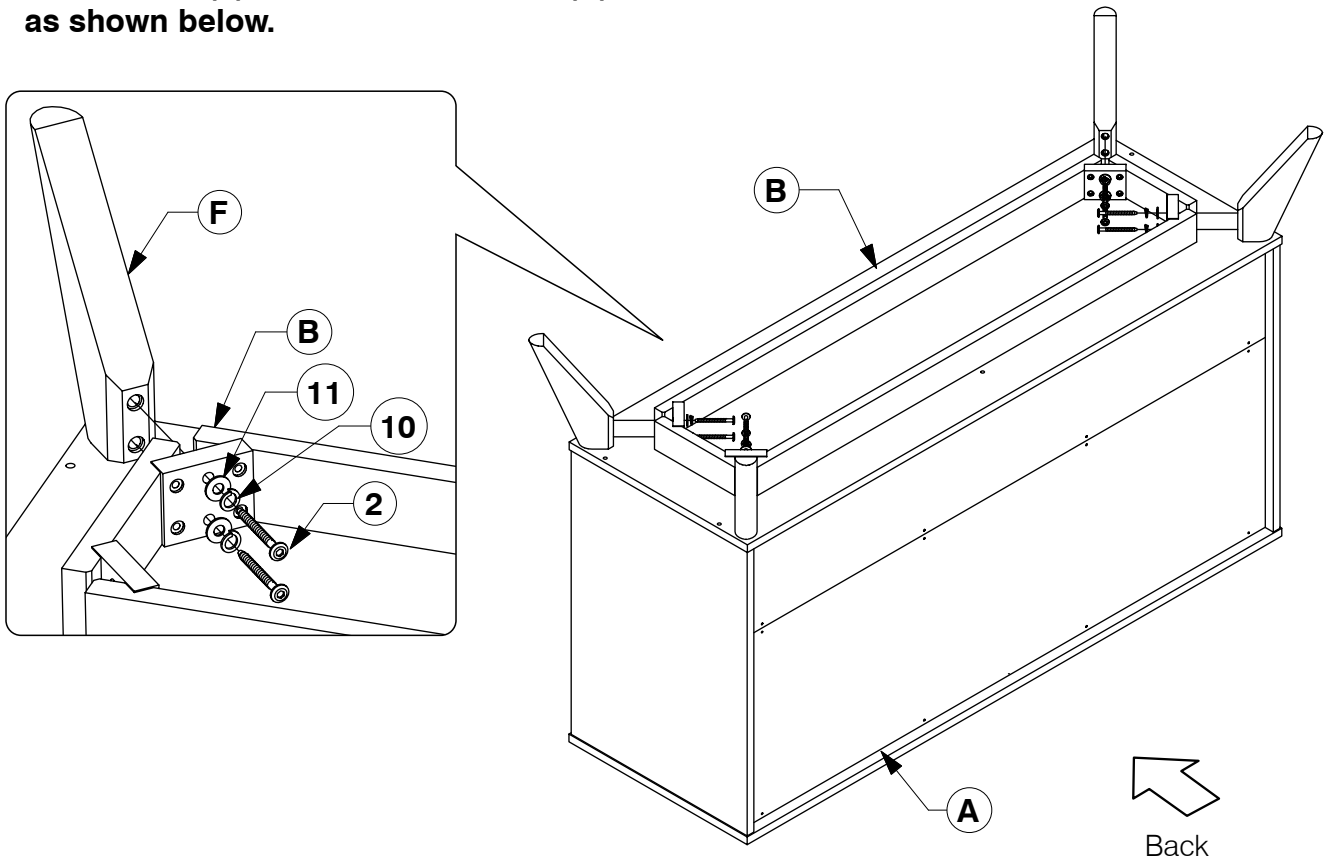


# 9001 6 Drawer Dresser

## Assembly Instructions

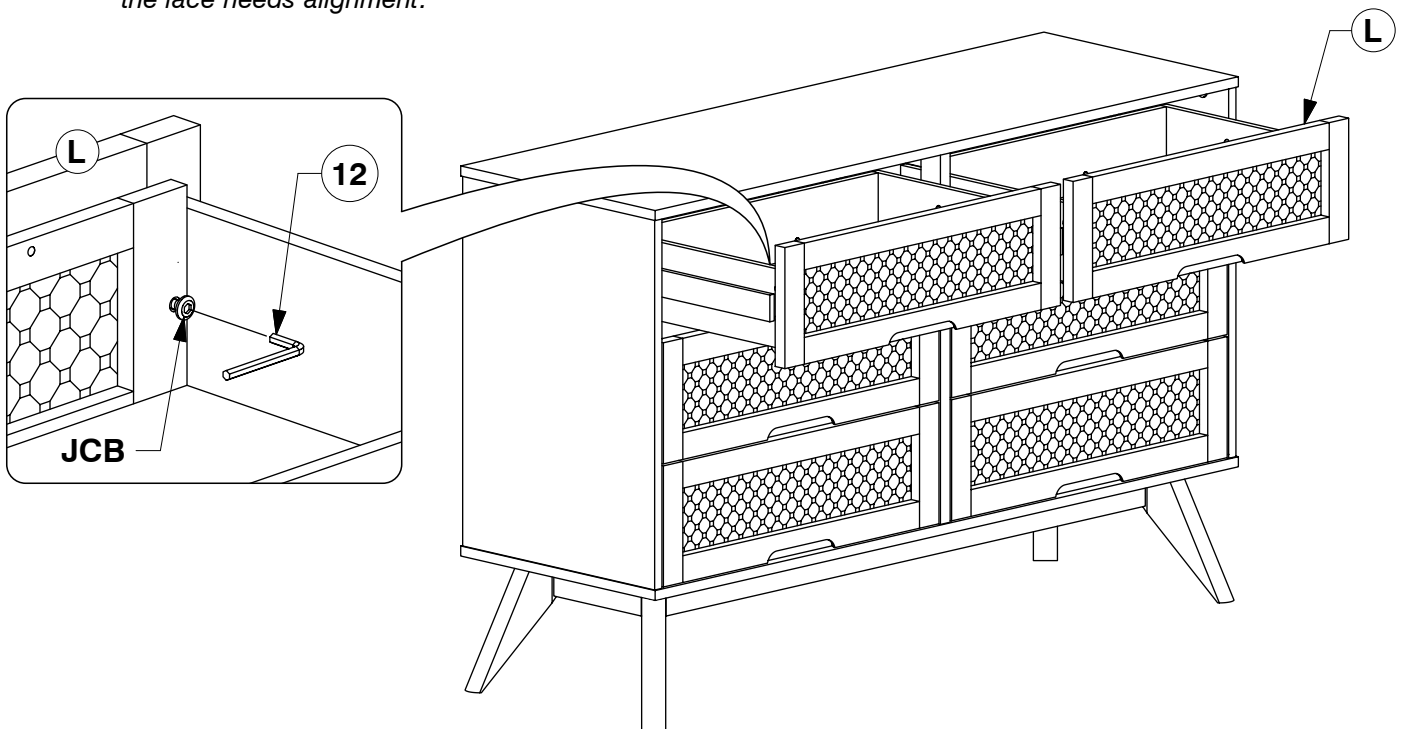
WI-1220

- 16** Fit the Post (F) to the Bottom Panel (B) as shown below.



- 17** Fit and adjust the Drawer Face (L).

\* NOTE: Before fitting the Wood Screws.  
Loosen the JCBs on the Drawer Face if the face needs alignment.

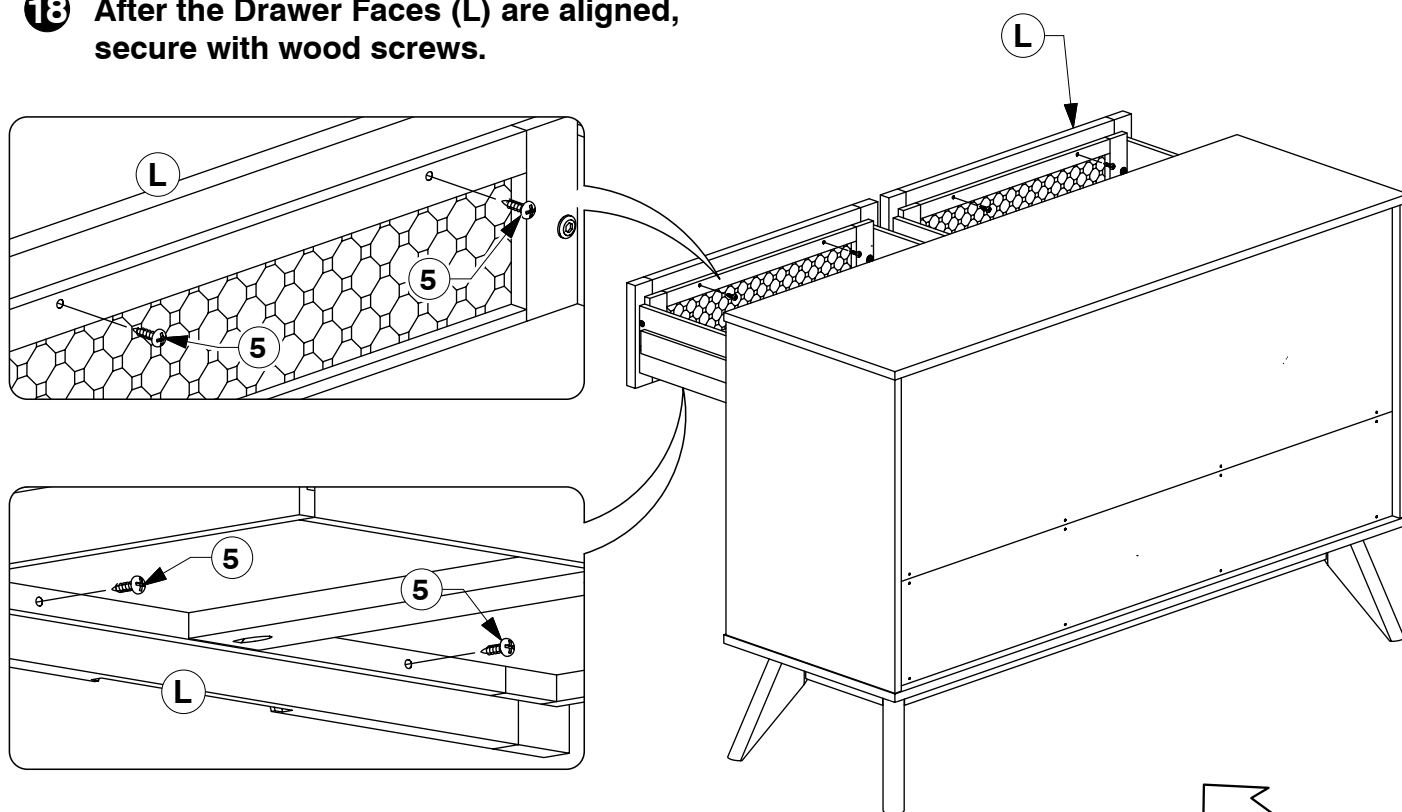


# 9001 6 Drawer Dresser

## Assembly Instructions

WI-1220

- 18** After the Drawer Faces (L) are aligned, secure with wood screws.

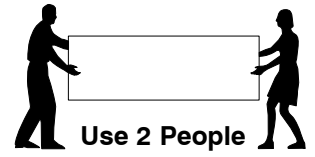
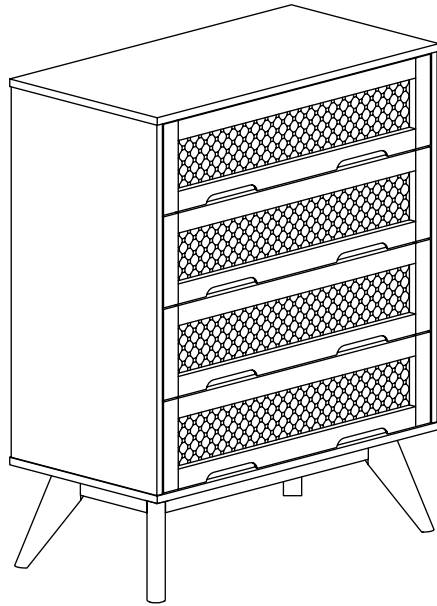


Back

# 9001 4 Drawer Chest

## Assembly Instructions

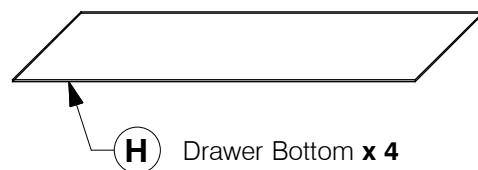
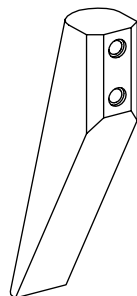
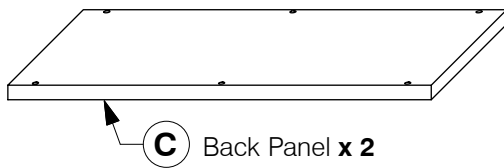
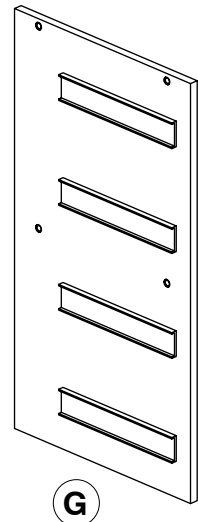
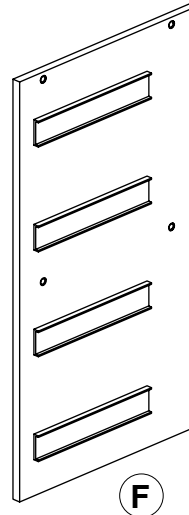
WI-1220



**Note:** Do not assemble using power tools. This can cause the bolts to be overtightened

### 1 Parts List

Parts in Box A:



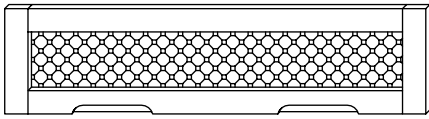
# 9001 4 Drawer Chest

## Assembly Instructions

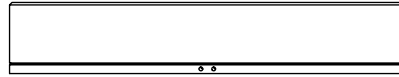
WI-1220

### 1 Parts List

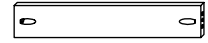
Parts in Box B:



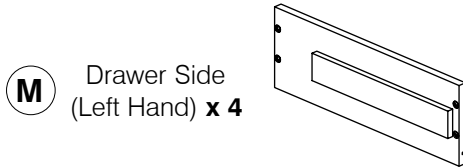
**J** Drawer Face x 4



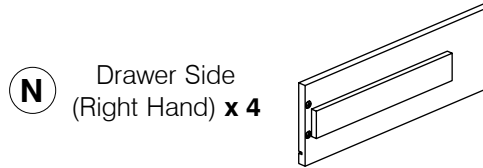
**K** Drawer Back x 4



**L** Drawer Rail x 4



**M** Drawer Side (Left Hand) x 4



**N** Drawer Side (Right Hand) x 4

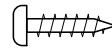
### 2 Hardware List



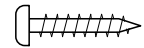
**1** M6 x 15mm JCB x 16



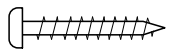
**2** M6 x 60mm JCB x 8



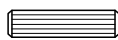
**3** M4 x 20mm Wood Screw x 16



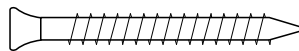
**4** M4 x 25mm Wood Screw x 40



**5** M4 x 32mm Wood Screw x 12



**6** M6 x 25mm Wood Dowel x 16



**7** CSK Cap Wood Screw (M6 x 50mm) x 4



**8** 'L' Bracket (5005-3) x 8



**9** Spring Washer x 8



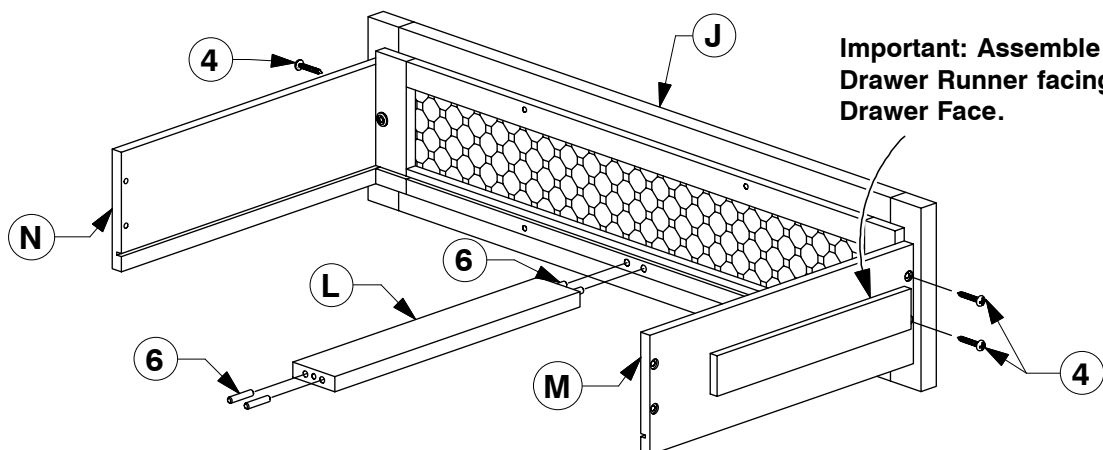
**10** Flat Washer x 8



**11** Allen Key x 1

### 3 Assemble the Drawer Sides (M & N) & Drawer Rail (L) to the Drawer Face (J).

x4



**Important: Assemble the Drawer Runner facing Drawer Face.**

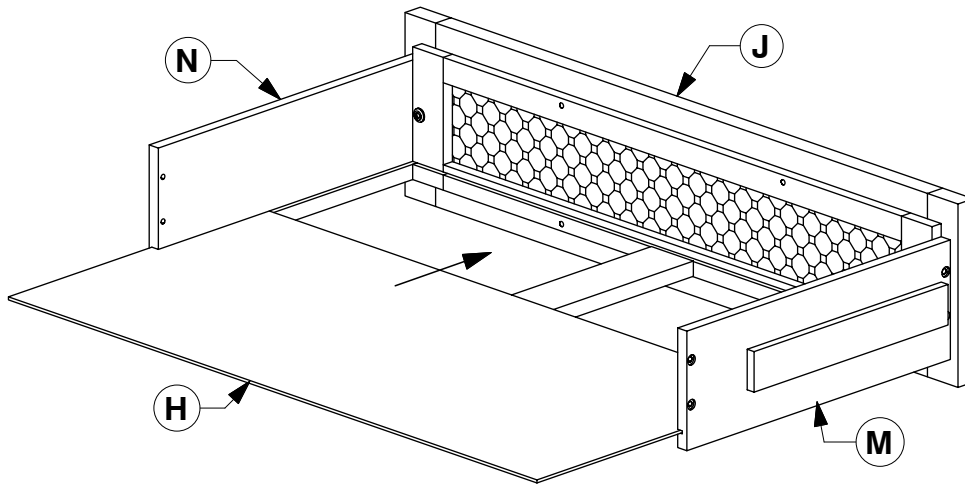
# 9001 4 Drawer Chest

## Assembly Instructions

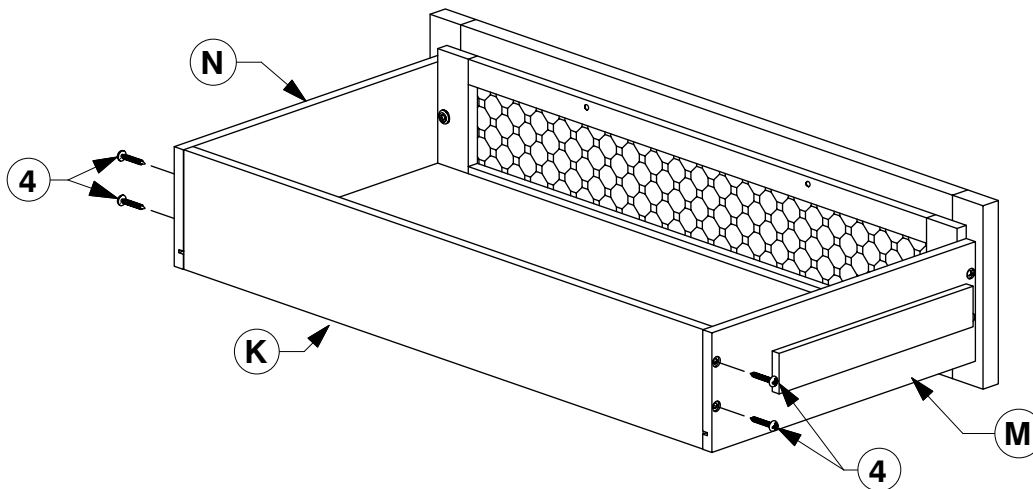
WI-1220

- 4** Slide the Drawer Bottom (H) into the groove on the Drawer Sides (M & N).

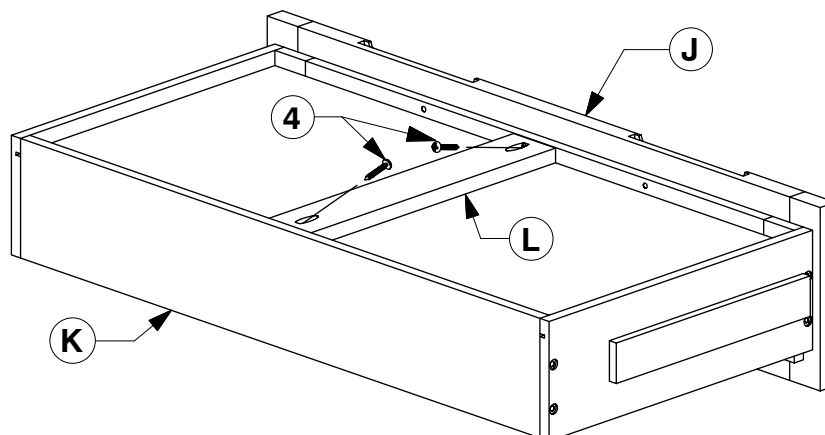
x4



- 5** Assemble the Drawer Back (K) to the Drawer Sides (M & N).



- 6** Turn the Drawer over to fit angled 25mm Wood screws (4) to the Drawer Rail (L).



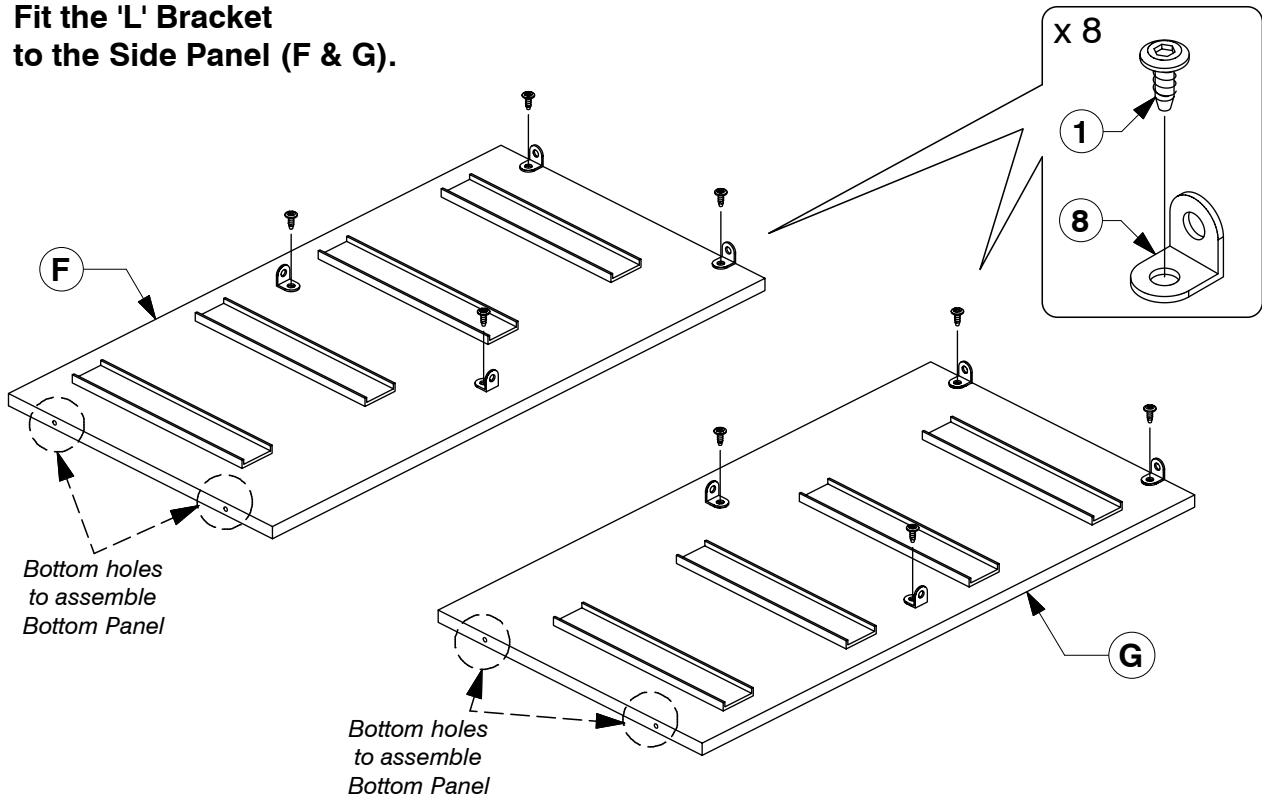


# 9001 4 Drawer Chest

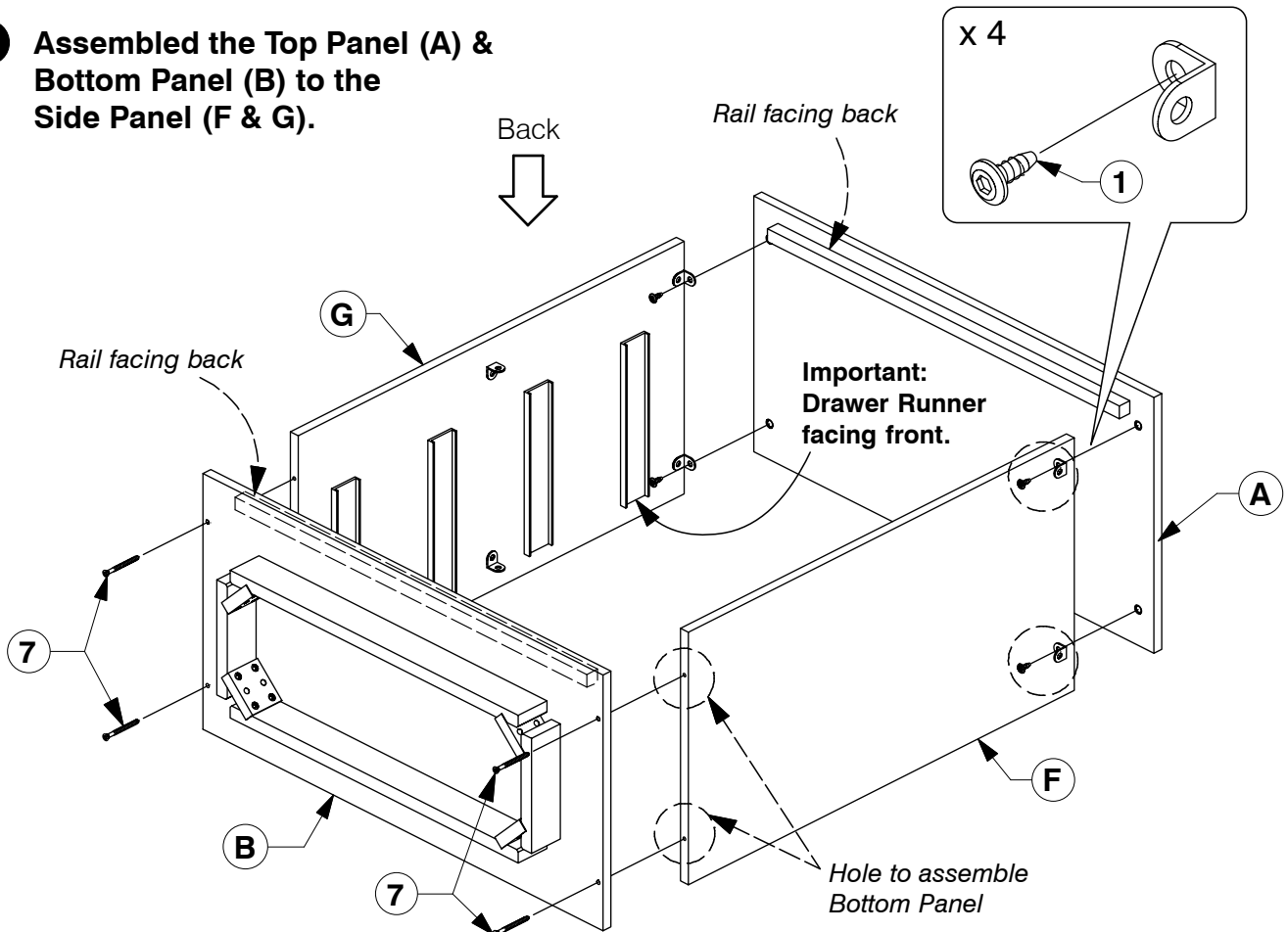
## Assembly Instructions

WI-1220

### 7 Fit the 'L' Bracket to the Side Panel (F & G).



### 8 Assembled the Top Panel (A) & Bottom Panel (B) to the Side Panel (F & G).

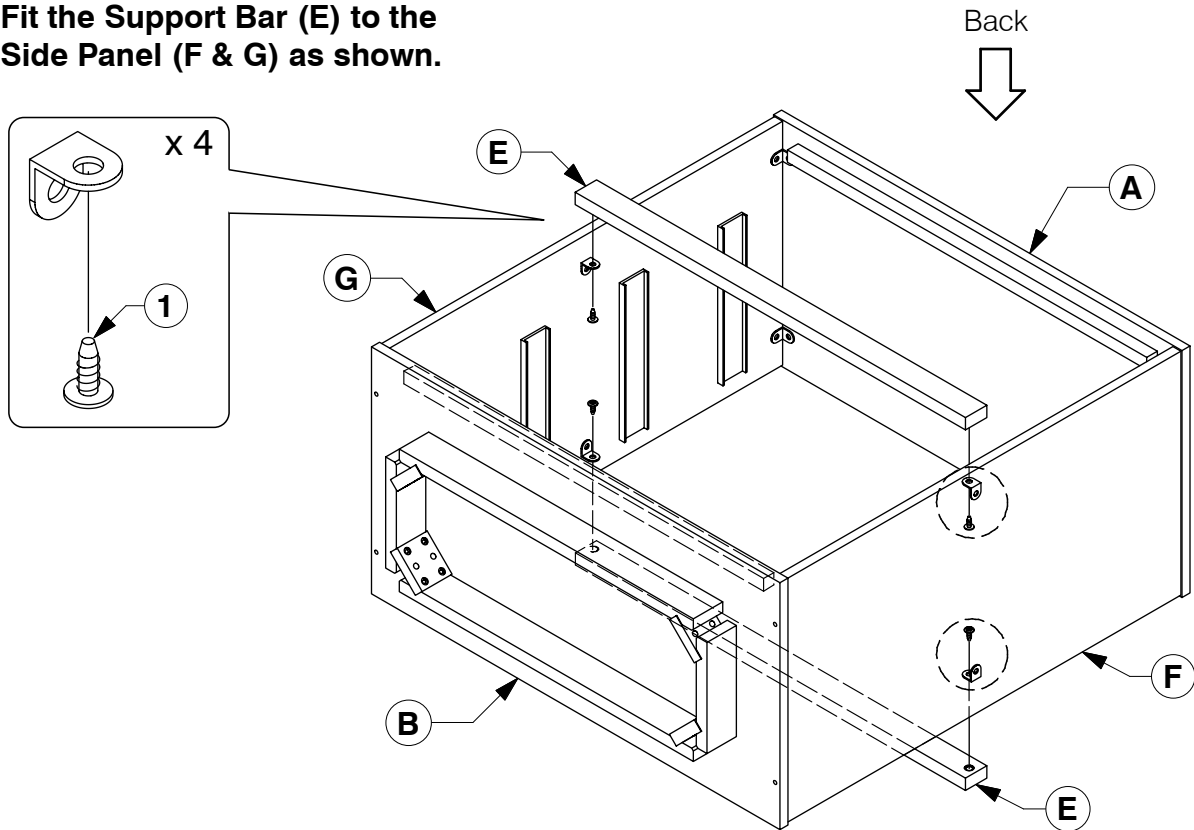


# 9001 4 Drawer Chest

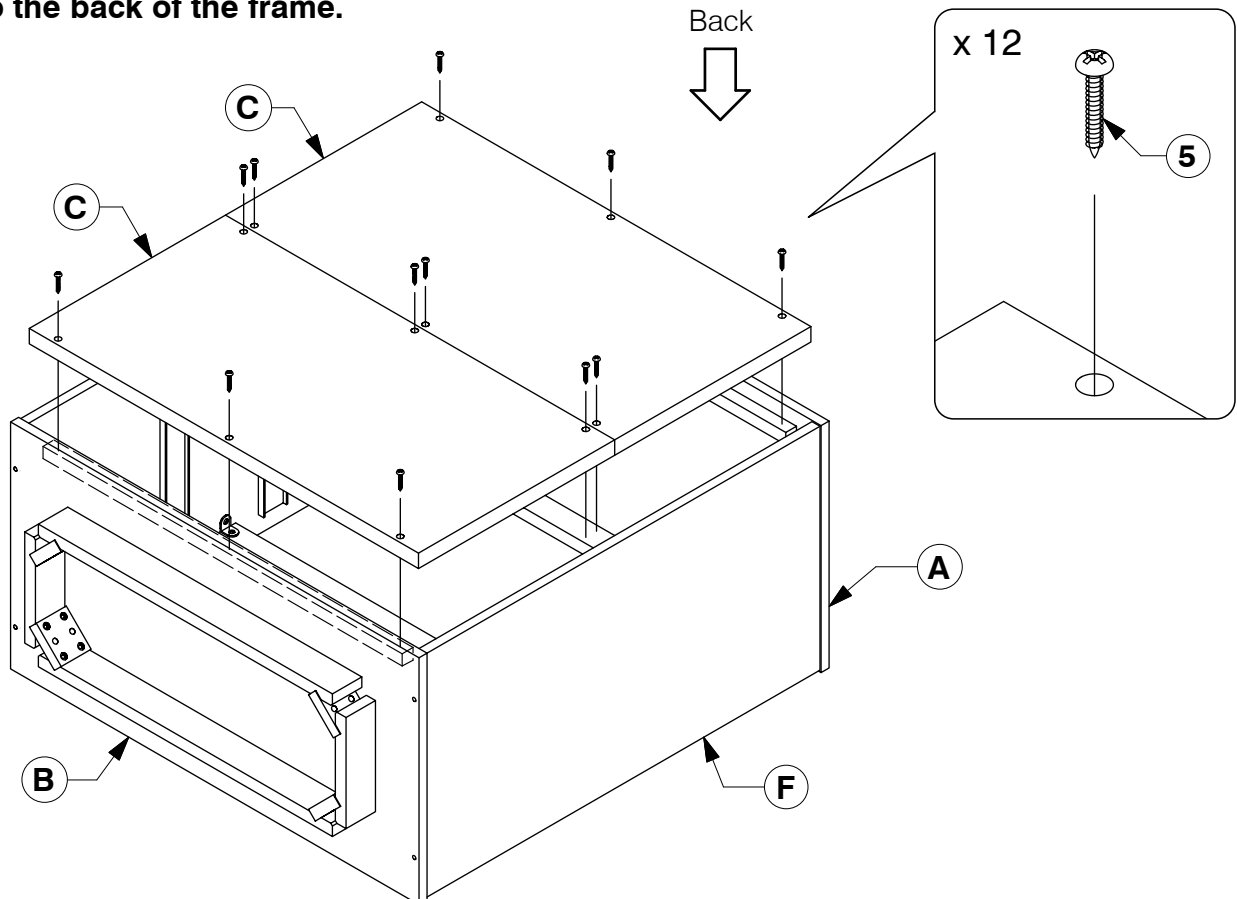
## Assembly Instructions

WI-1220

- 9** Fit the Support Bar (E) to the Side Panel (F & G) as shown.



- 10** Attached the Back Panel (C) to the back of the frame.

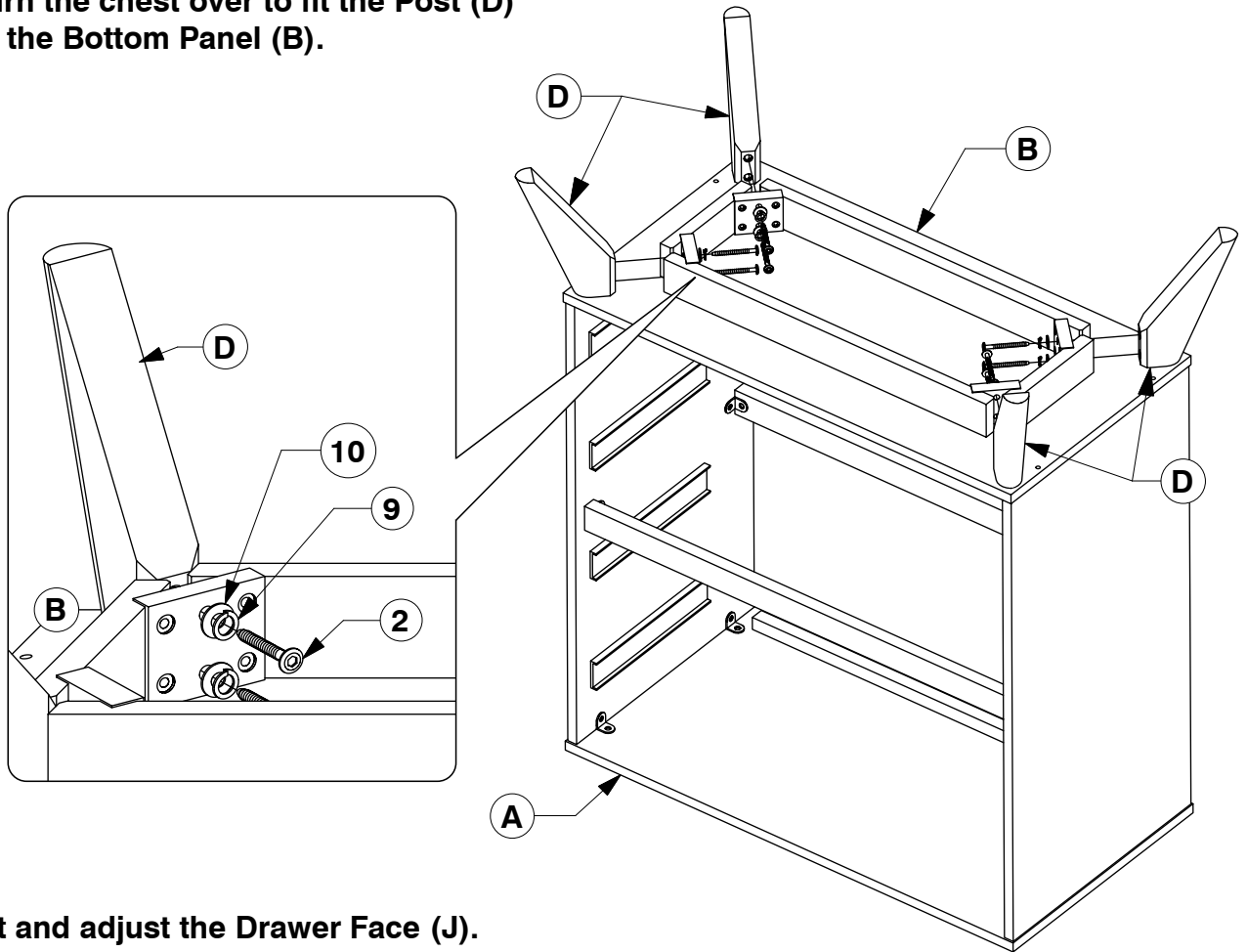


# 9001 4 Drawer Chest

## Assembly Instructions

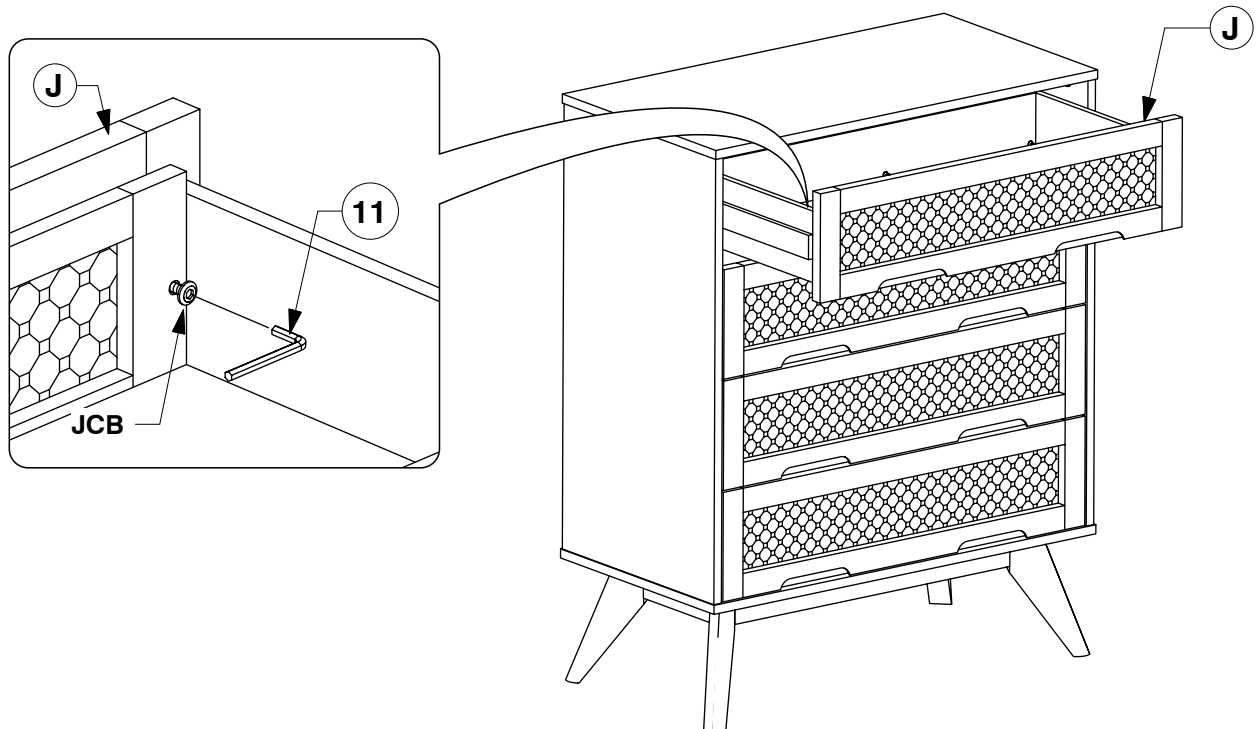
WI-1220

- 11** Turn the chest over to fit the Post (D) to the Bottom Panel (B).



- 12** Fit and adjust the Drawer Face (J).

\* NOTE: Before fitting the Wood Screws.  
Loosen the JCBs on the Drawer Face if the face needs alignment.



# 9001 4 Drawer Chest

## Assembly Instructions

WI-1220

- 13** After the Drawer Faces (J) are aligned, secure with wood screws.

