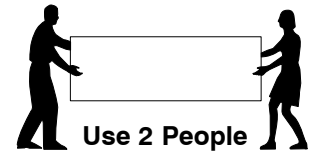
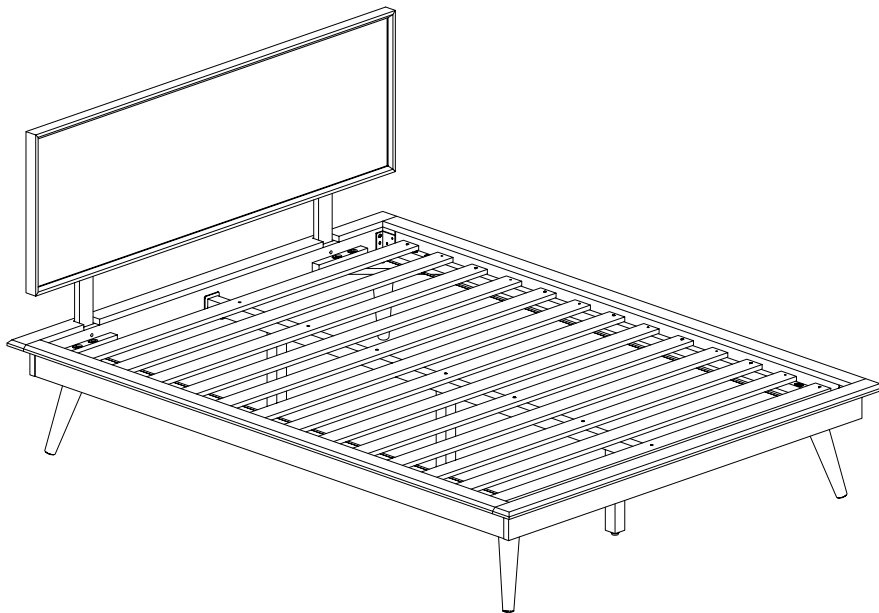


1 Assembled View



Note: Do not assemble using power tools. This can cause the bolts to be overtightened

2 Parts List

Parts in Box 1:

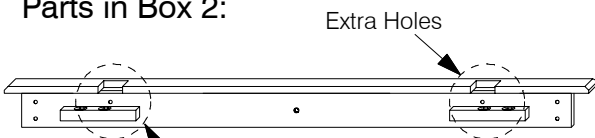


A Headboard Panel x 1

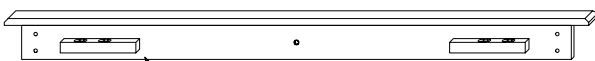


B Support Bar x 2

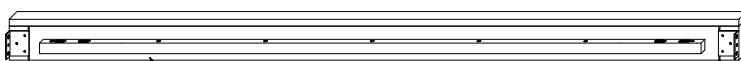
Parts in Box 2:



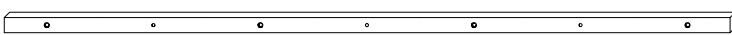
C Headboard Panel x 1



D Footboard Panel x 1



E Side Rail x 2



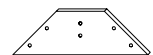
F Long Support x 1



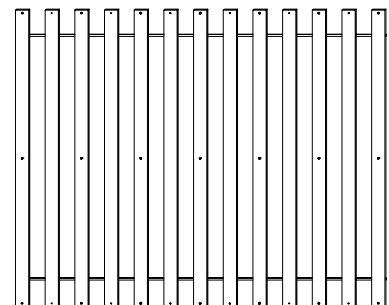
G Support Leg x 3



H Post x 4




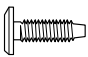
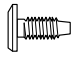
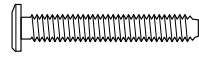


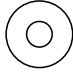



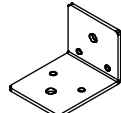


J Support Panel x 4

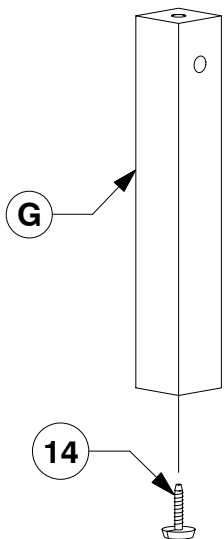


K Set of Bed Slats x 1

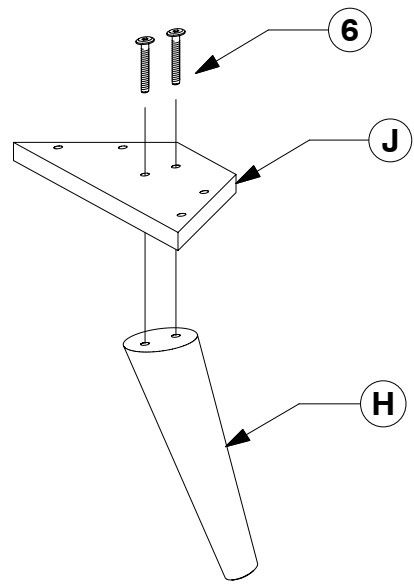
3 Hardware List

- | | | | |
|---|---|--|---|
|  |  |  |  |
| 1 M6 x 100mm JCB
x 3 | 2 M6 x 50mm JCB
x 16 | 3 M6 x 40mm JCB
x 28 | 4 M6 x 20mm JCB
x 8 |
|  |  |  |  |
| 5 M6 x 15mm JCB
x 4 | 6 M8 x 50mm JCB
x 8 | 7 Barrel Nut
x 3 | 8 Spring Washer
x 34 |
|  |  |  |  |
| 9 Flat Washer
x 34 | 10 Wood Screw
(M4 x 32mm) x 12 | 11 M4 Allen Key
x 1 | 12 M5 Allen Key
x 1 |
|  | 13 Center Rail
Bracket x 2 | 14 Adjustable
Foot x 3 | |

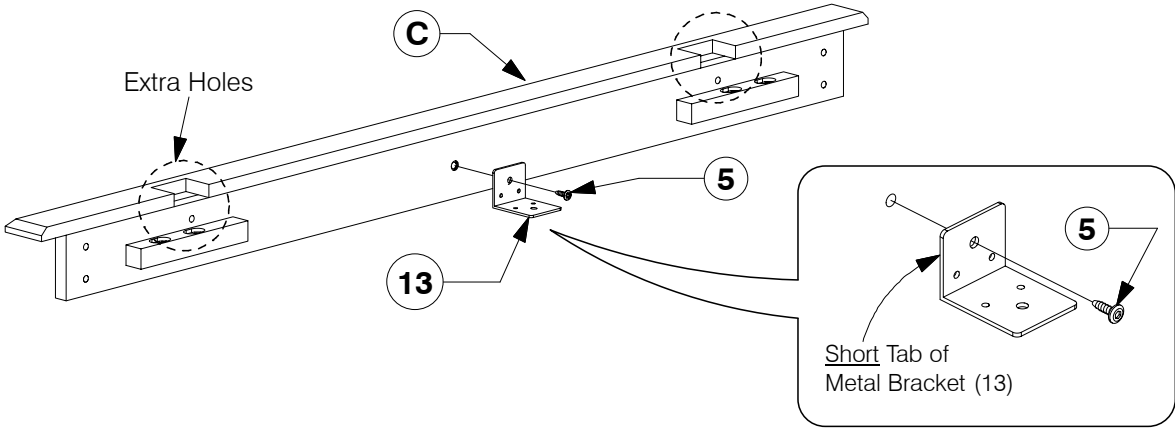
4 Fix the Adjustable foot to the bottom of the Support Leg (G).



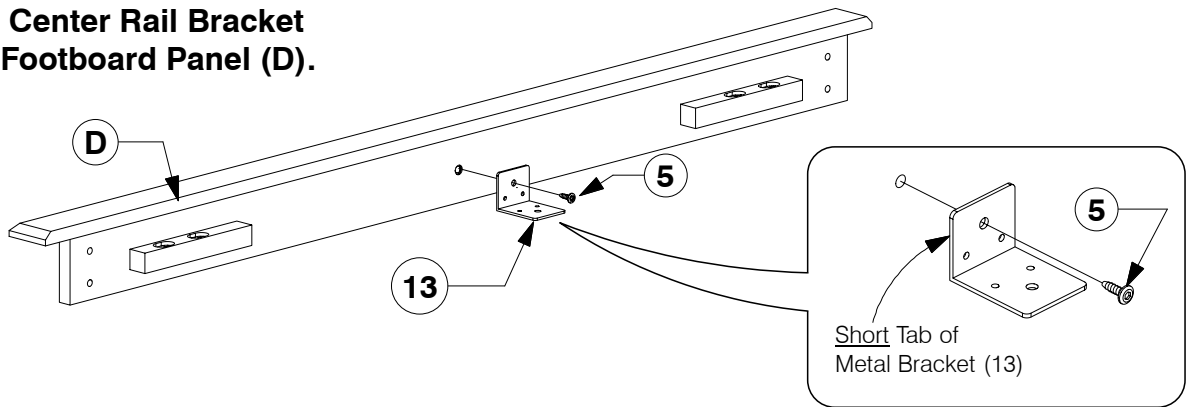
5 Fit the Post (H) to the Support Panel (J).



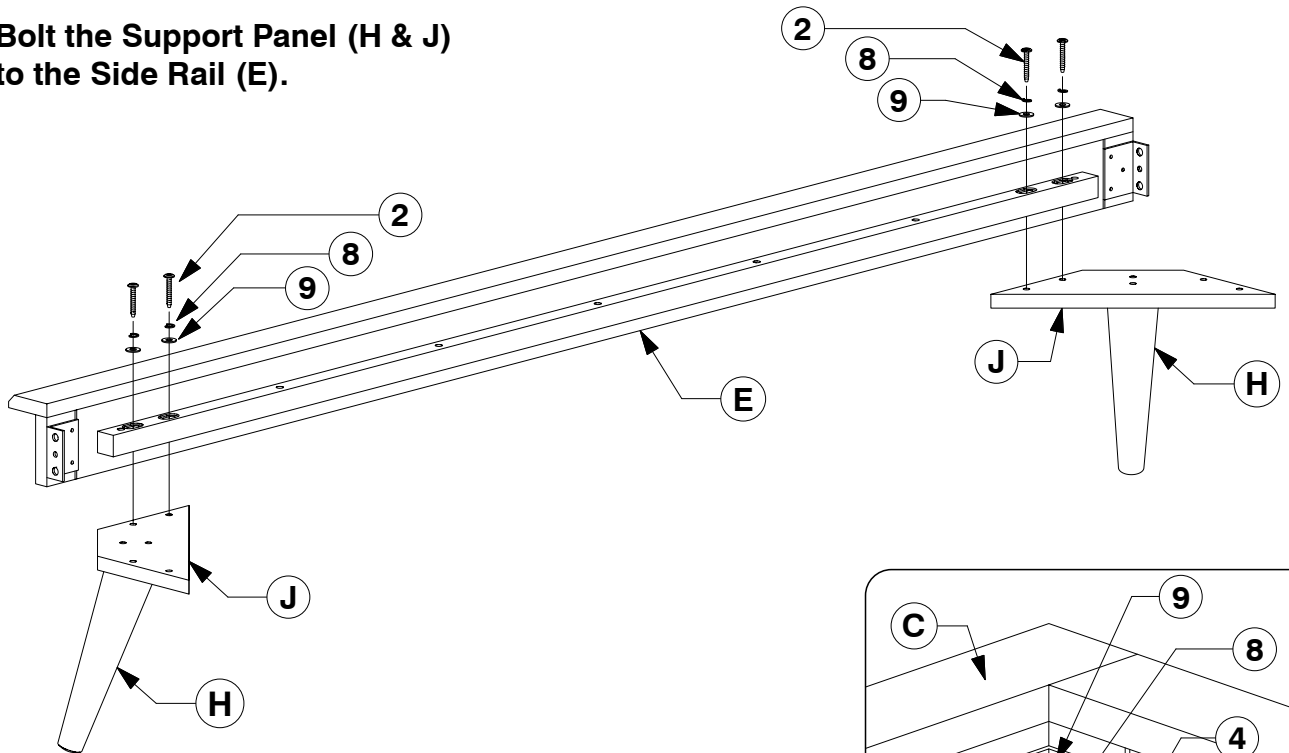
6 Fit the Center Rail Bracket to the Headboard Panel (C).



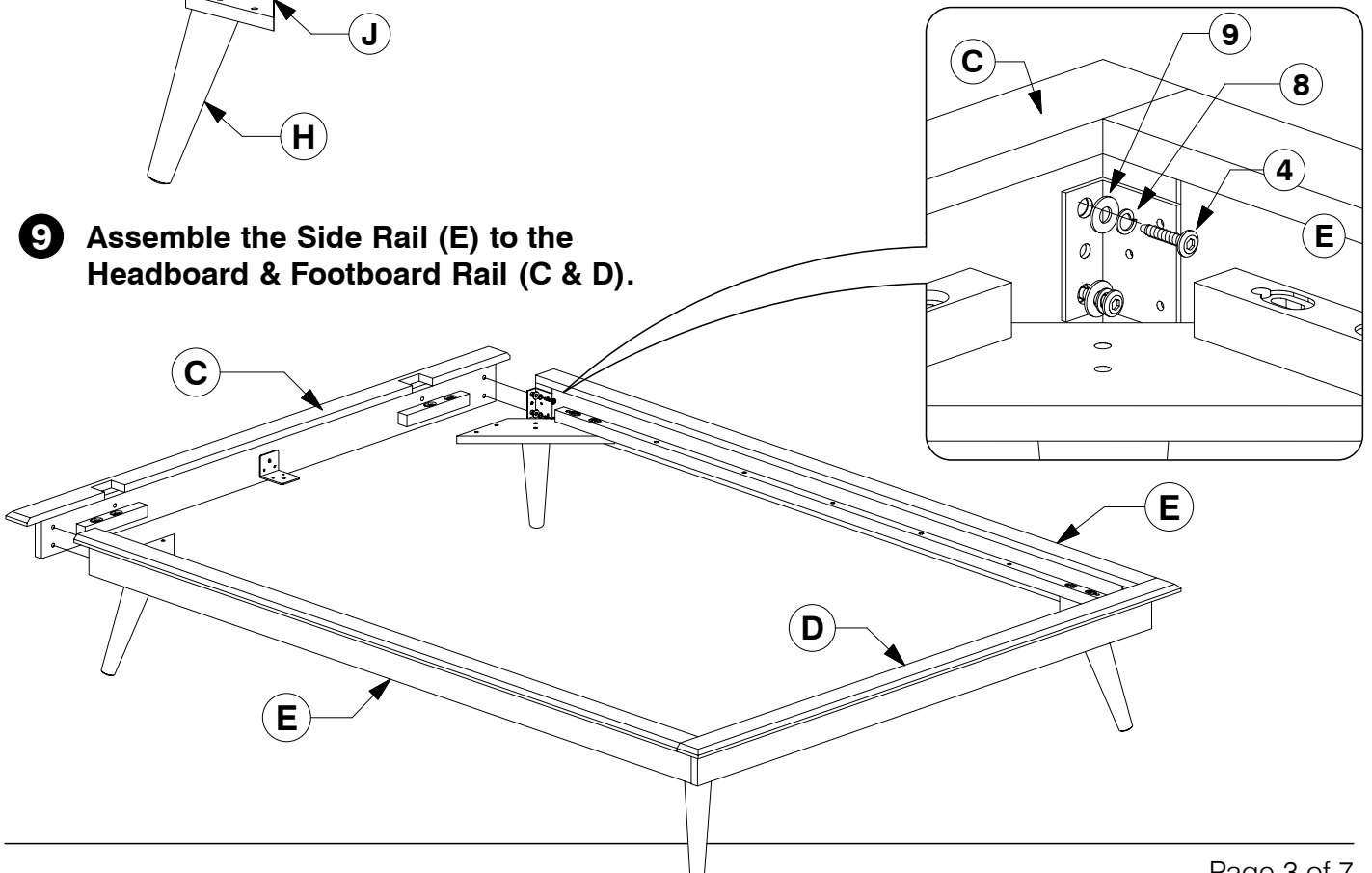
7 Fit the Center Rail Bracket to the Footboard Panel (D).



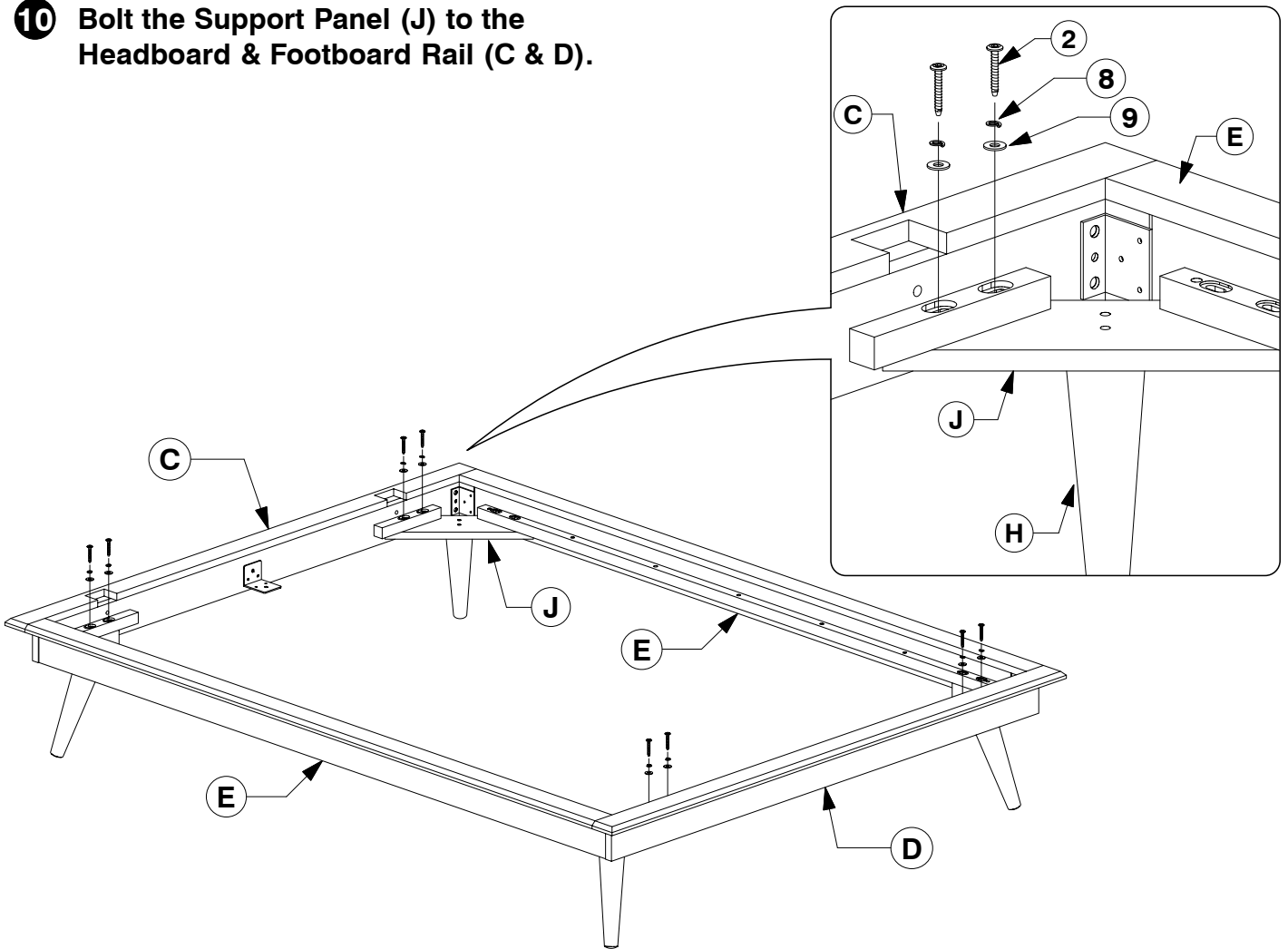
8 Bolt the Support Panel (H & J) to the Side Rail (E).



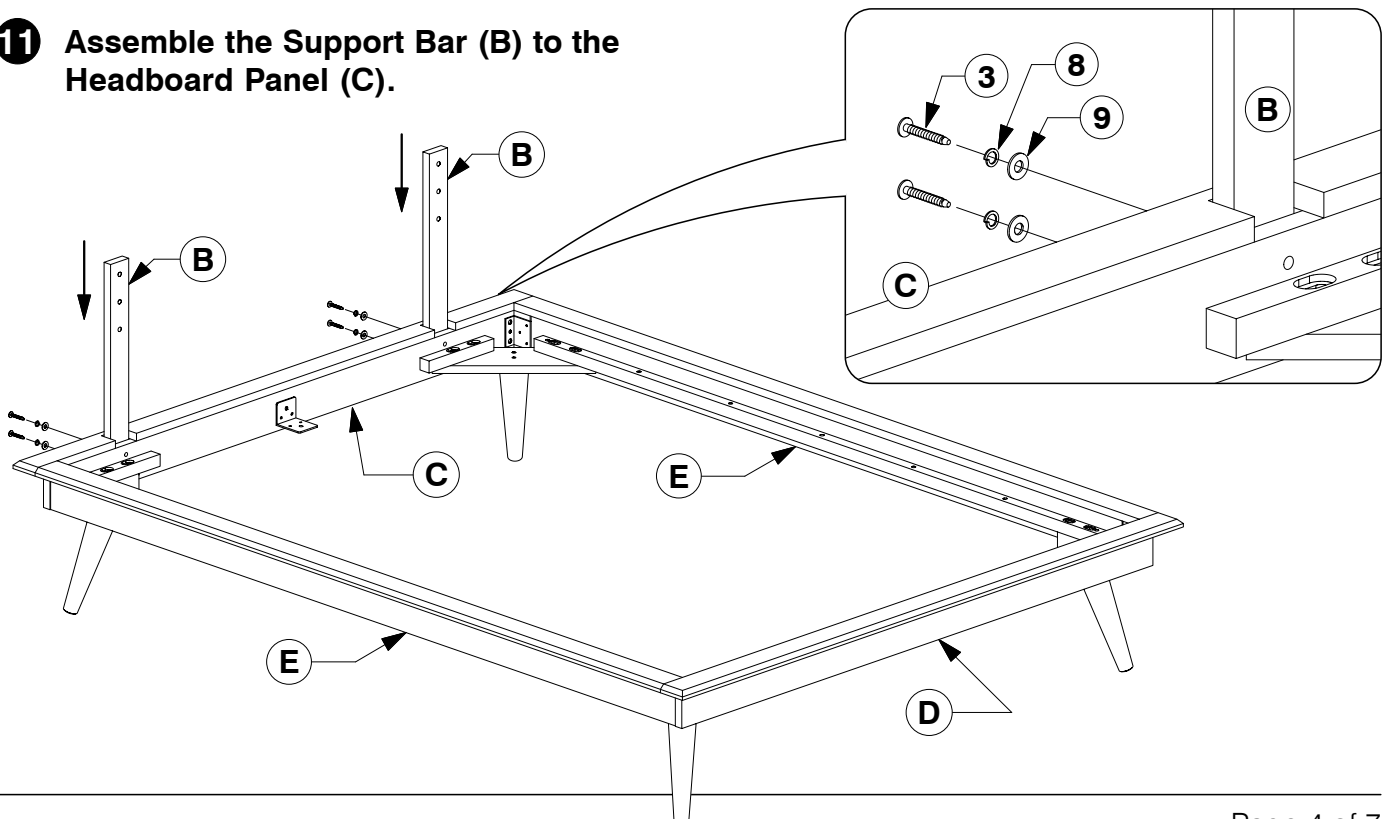
9 Assemble the Side Rail (E) to the Headboard & Footboard Rail (C & D).



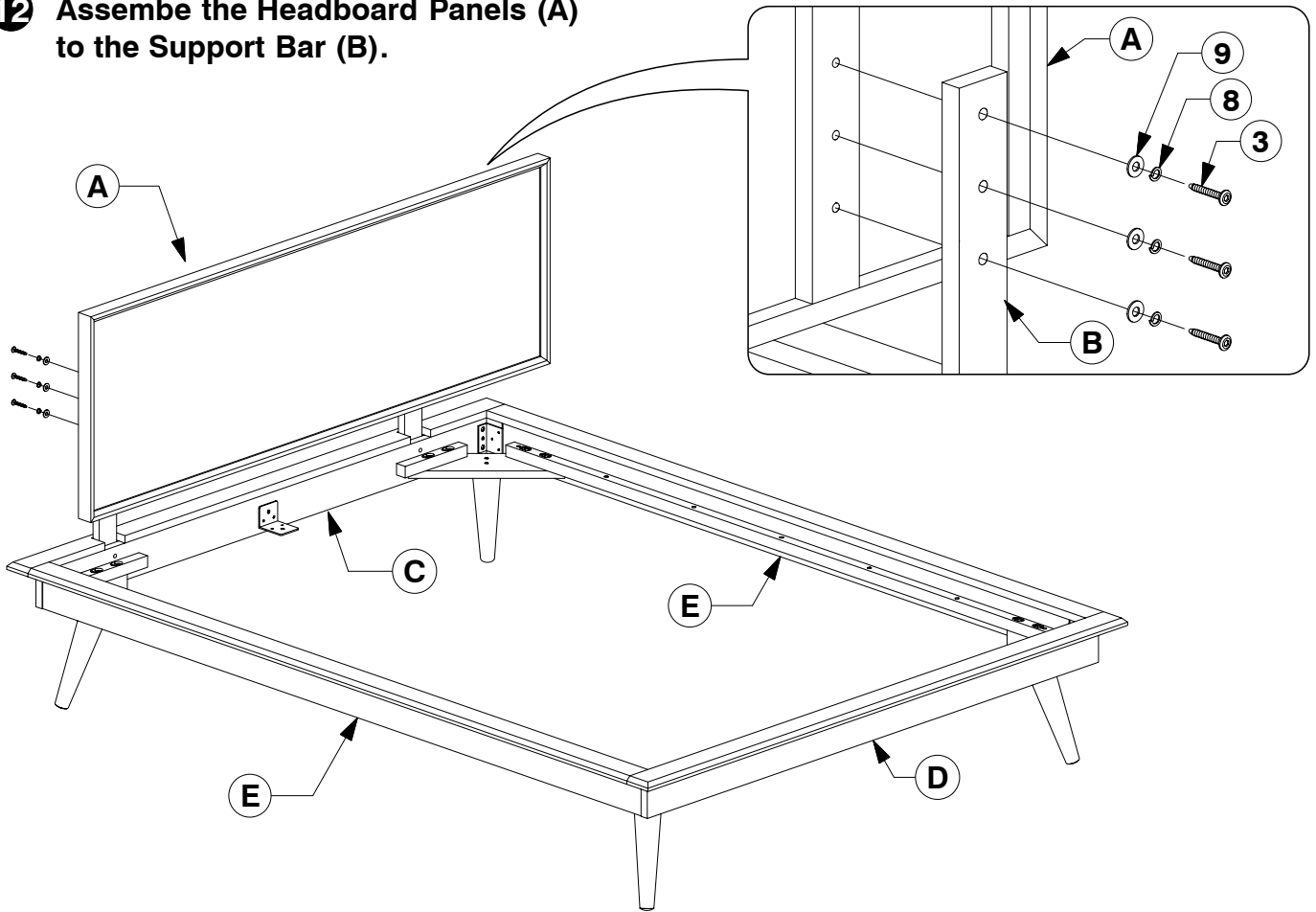
10 Bolt the Support Panel (J) to the Headboard & Footboard Rail (C & D).



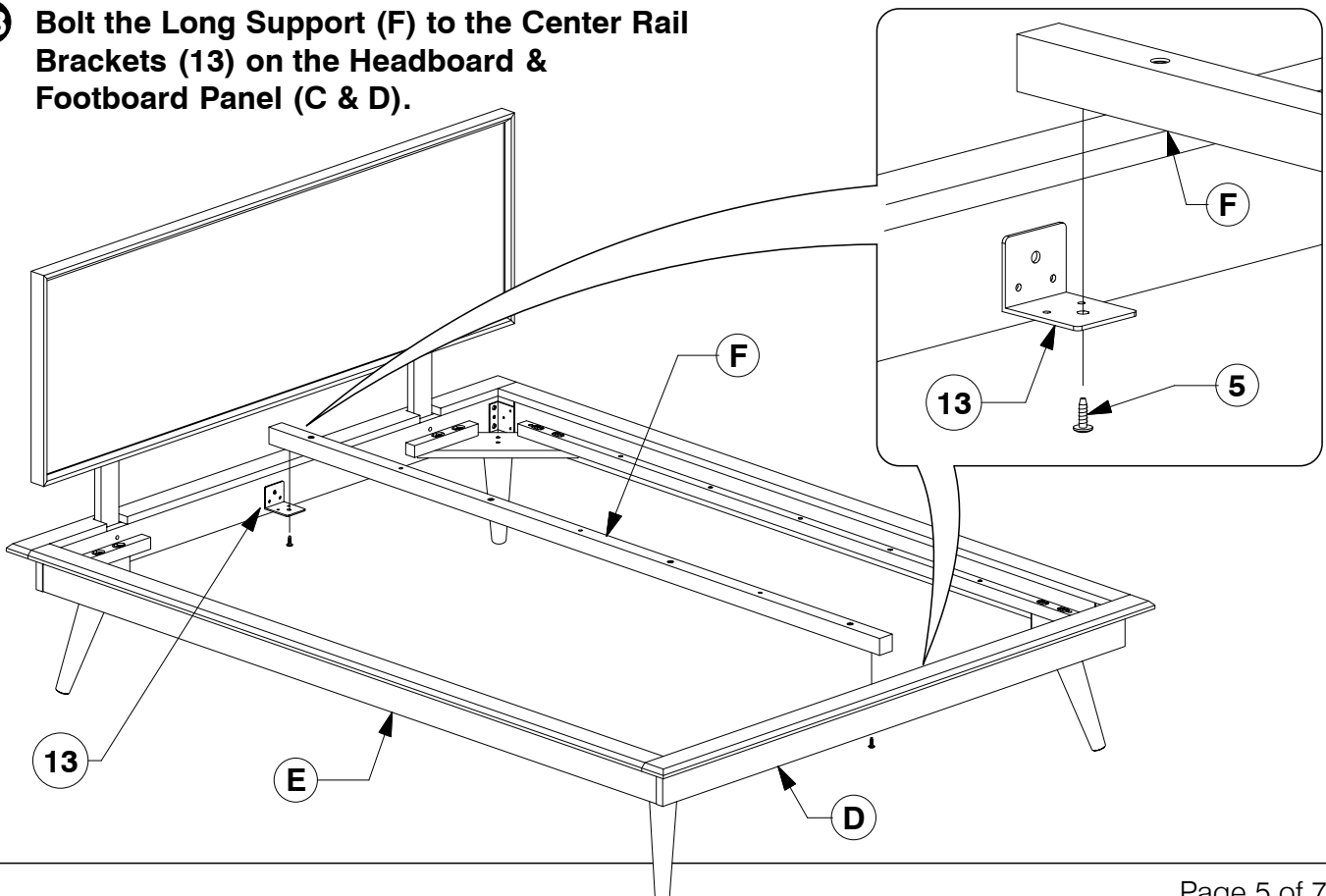
11 Assemble the Support Bar (B) to the Headboard Panel (C).



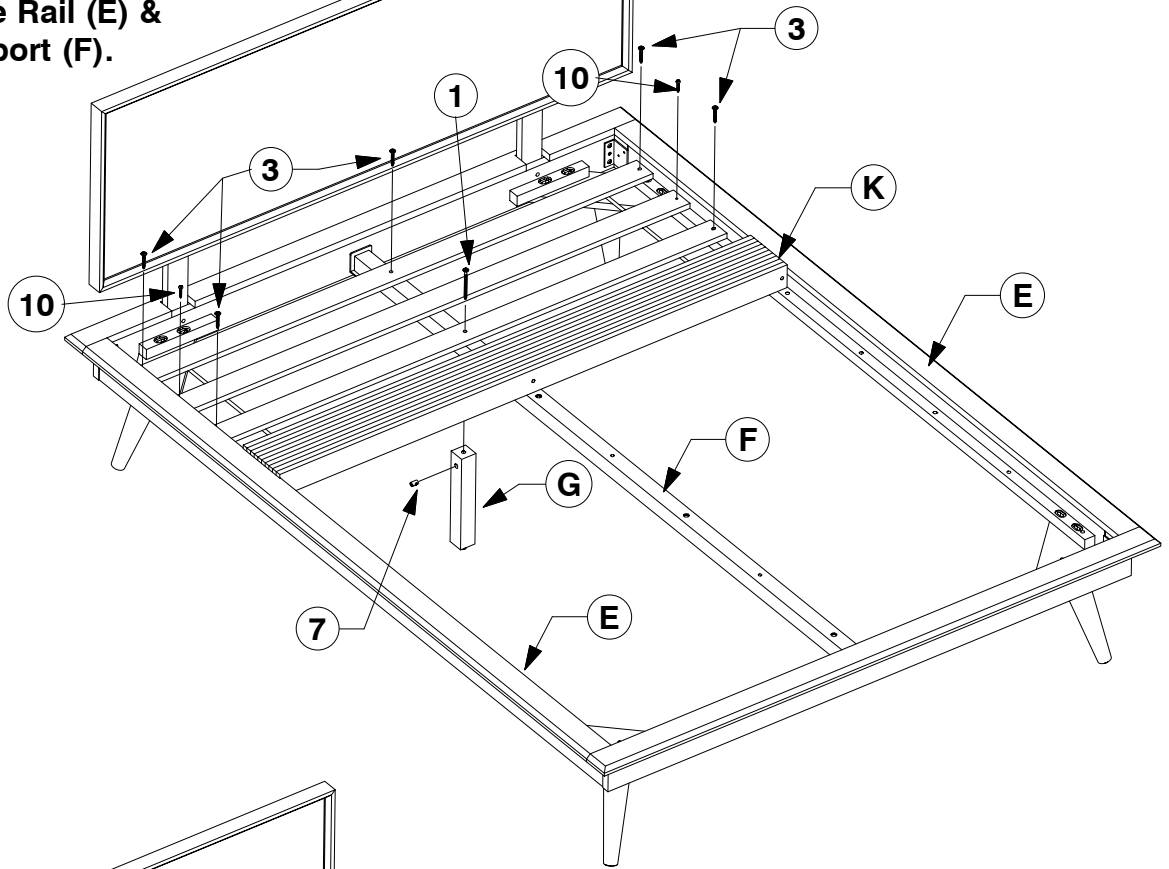
12 Assemble the Headboard Panels (A) to the Support Bar (B).



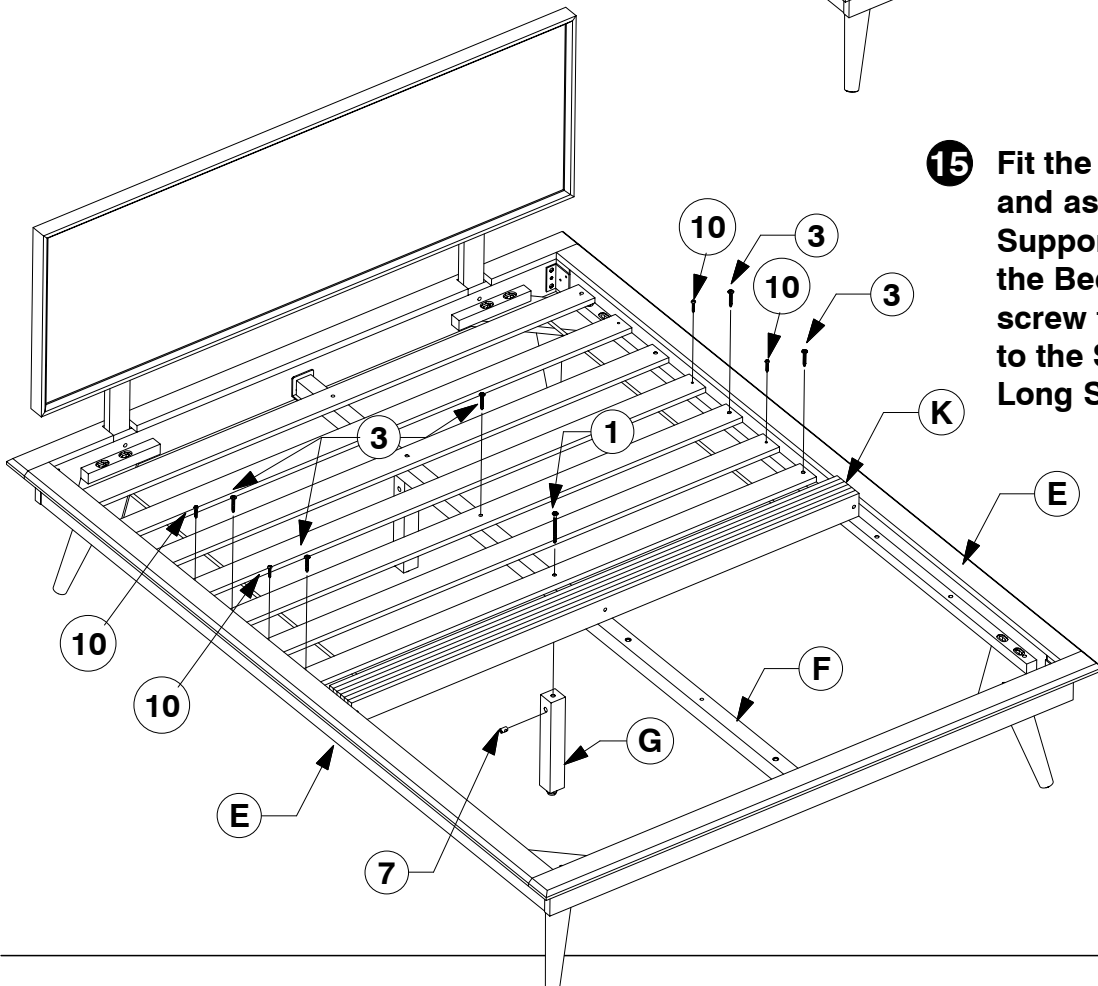
13 Bolt the Long Support (F) to the Center Rail Brackets (13) on the Headboard & Footboard Panel (C & D).



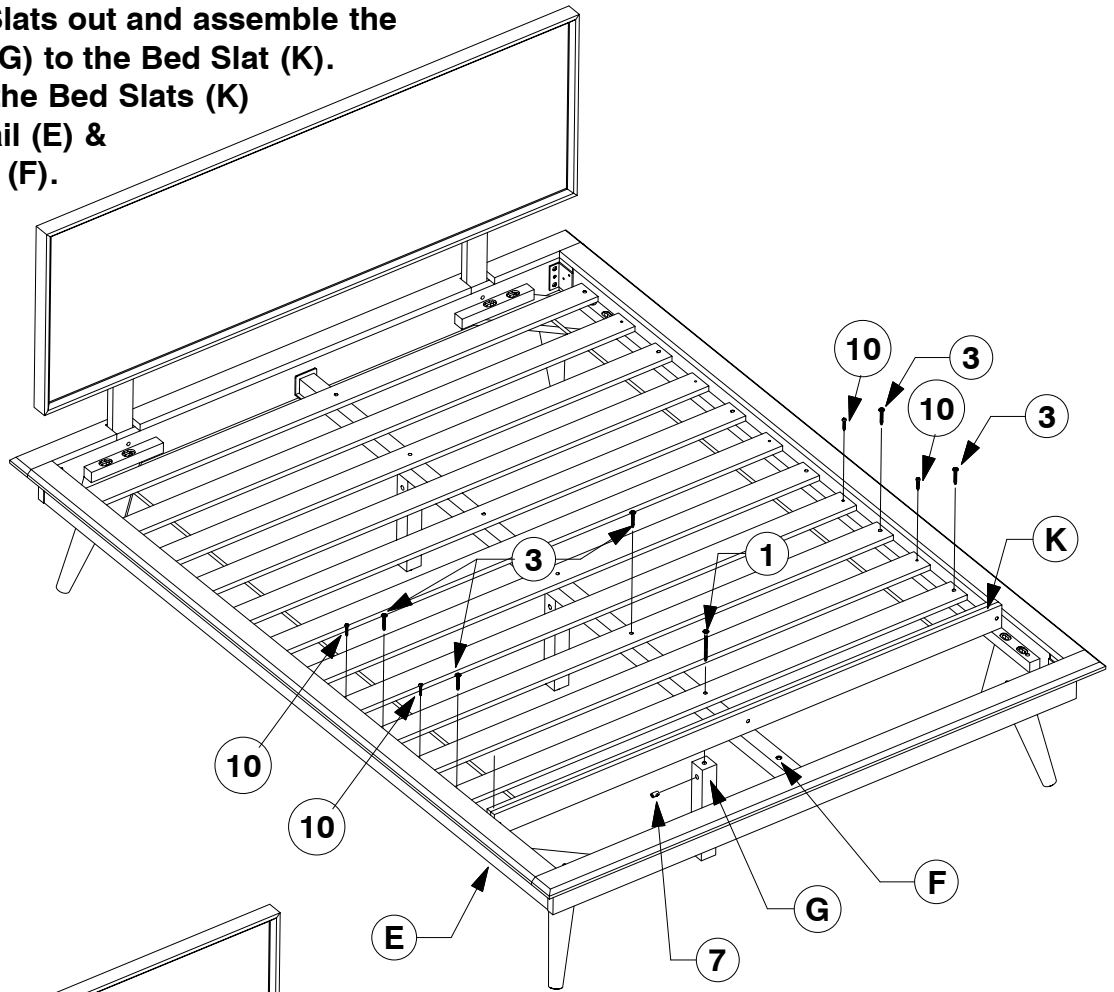
- 14** Fit the first 3 Slats and assemble the Support Leg (G) to the Bed Slat (K). Bolt & screw the Bed Slats (K) to the Side Rail (E) & Long Support (F).



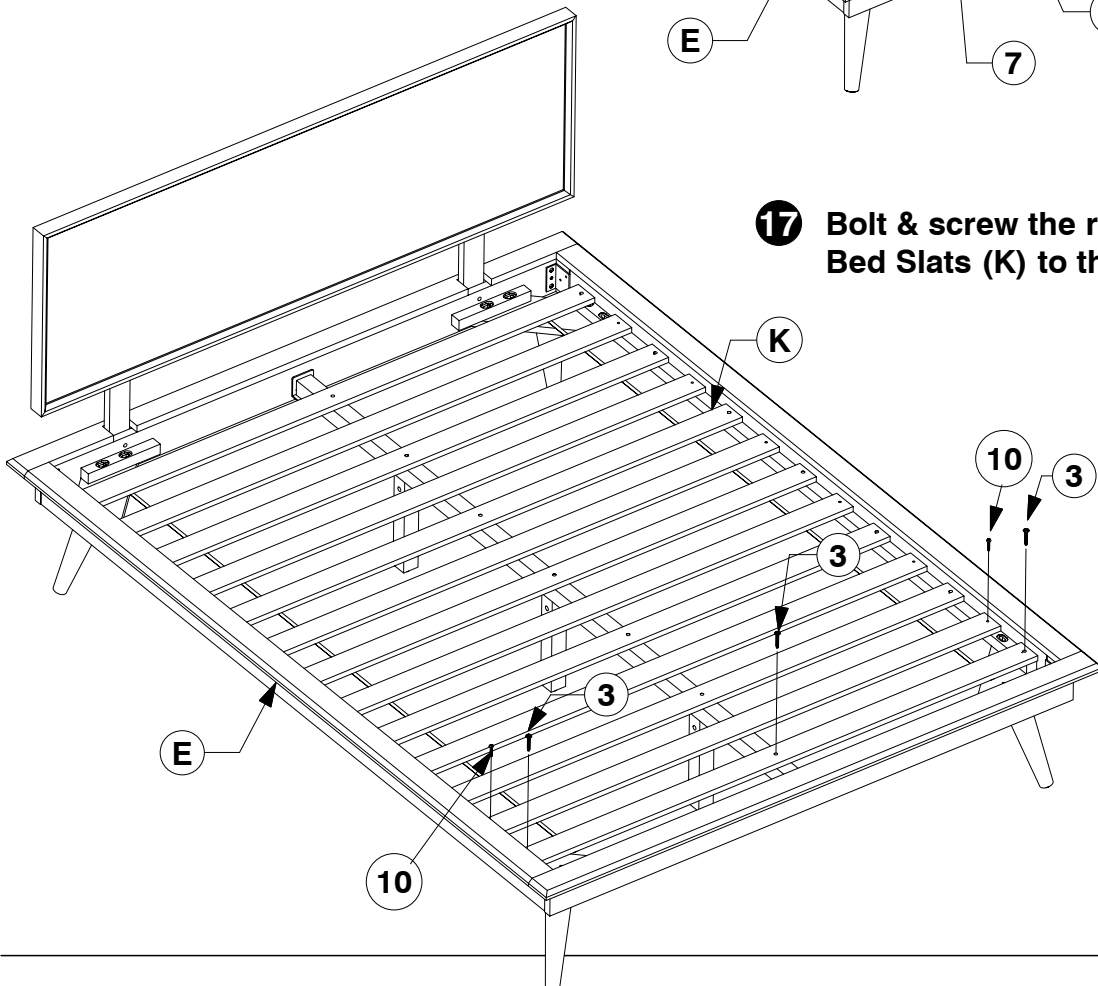
- 15** Fit the other Slats out and assemble the Support Leg (G) to the Bed Slat (K). Bolt & screw the Bed Slats (K) to the Side Rail (E) & Long Support (F).



- 16** Fit the other Slats out and assemble the Support Leg (G) to the Bed Slat (K). Bolt & screw the Bed Slats (K) to the Side Rail (E) & Long Support (F).



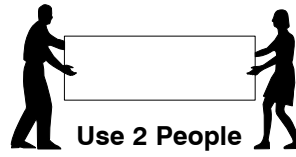
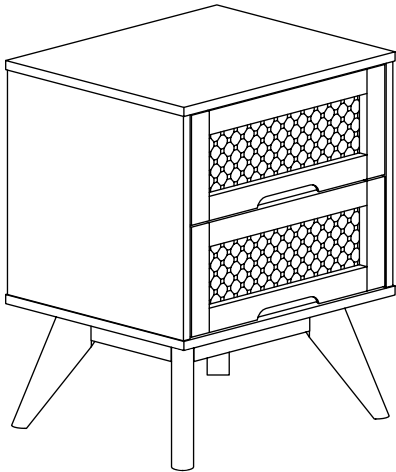
- 17** Bolt & screw the remaining Bed Slats (K) to the Side Rail (E).



9001 2 Drawer Nightstand

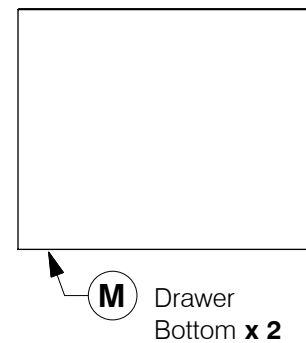
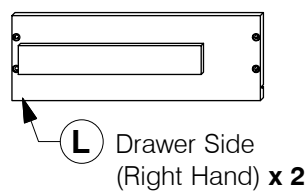
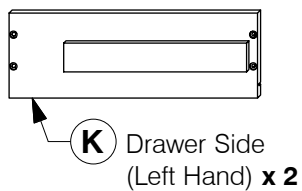
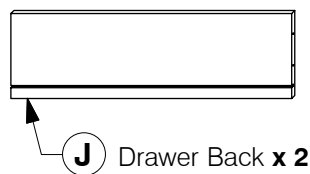
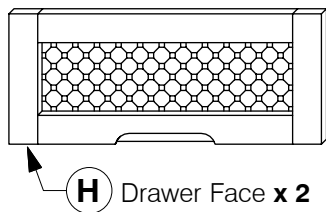
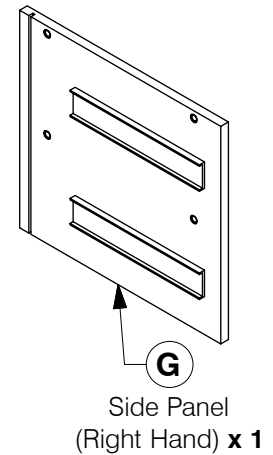
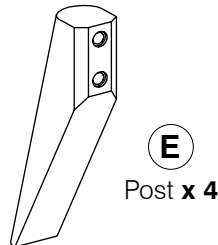
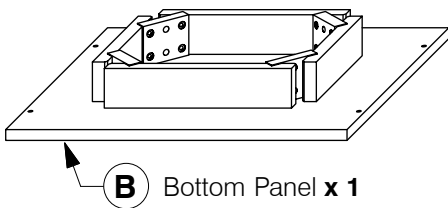
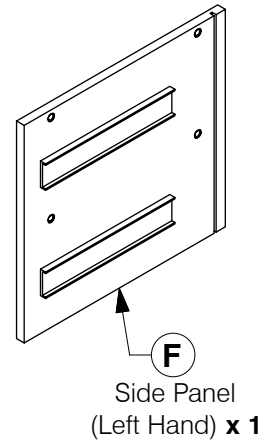
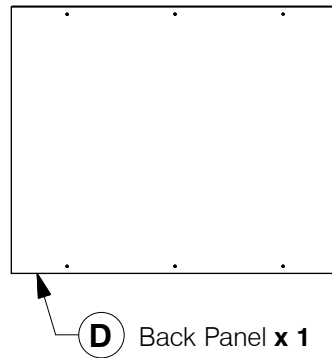
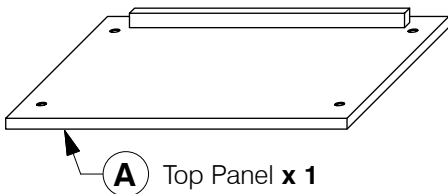
Assembly Instructions

WI-1220



Note: Do not assemble using power tools. This can cause the bolts to be overtightened

1 Parts List

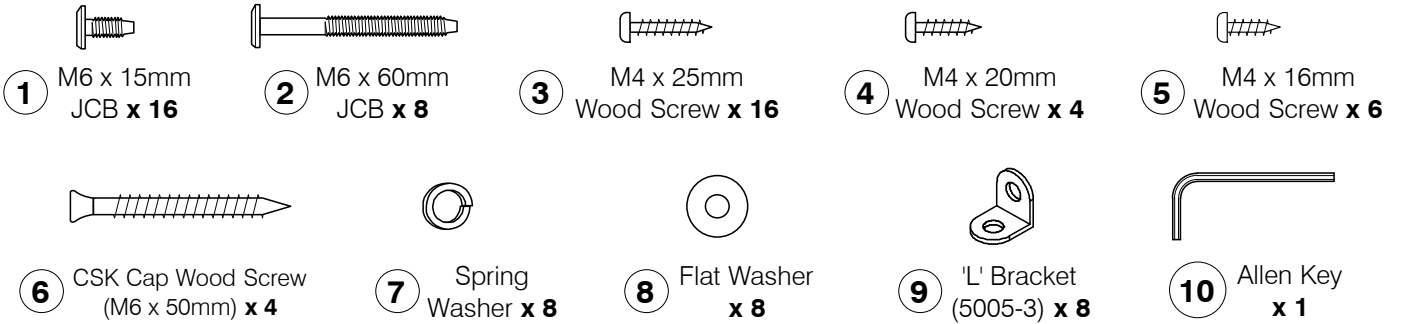


9001 2 Drawer Nightstand

Assembly Instructions

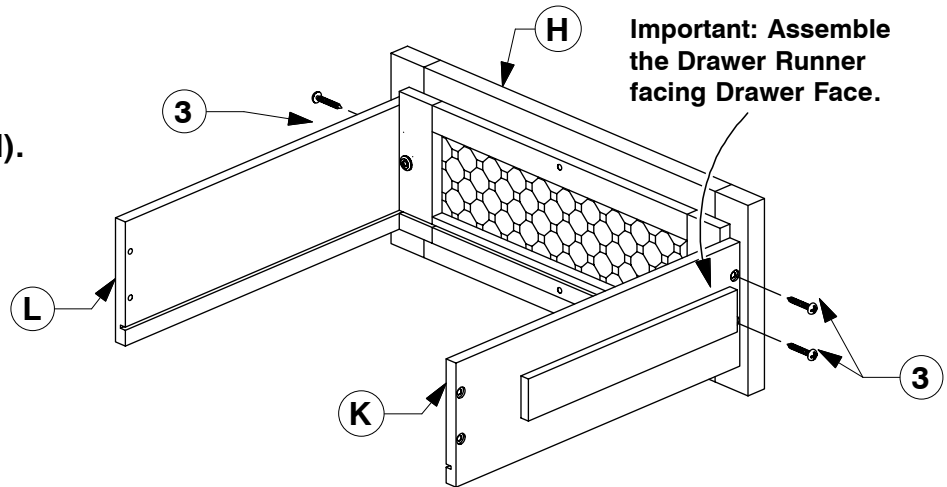
WI-1220

2 Hardware List

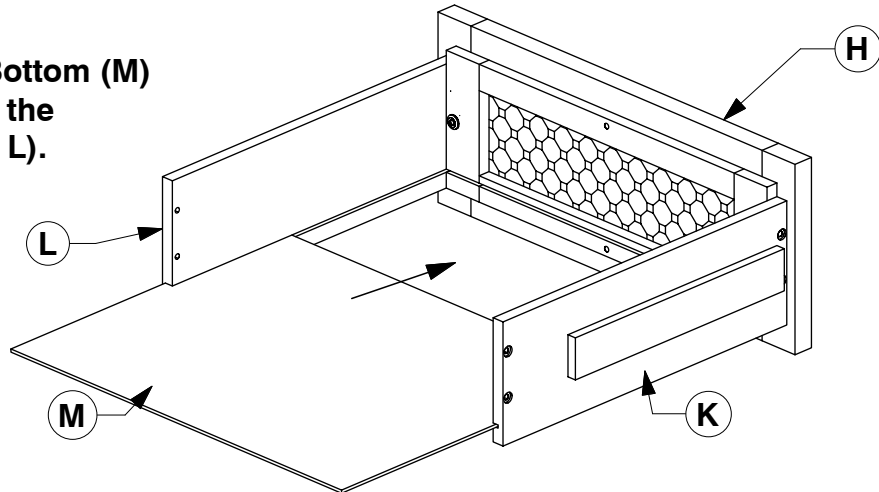


3 Assemble the Drawer Sides (K & L) to the Drawer Face (H).

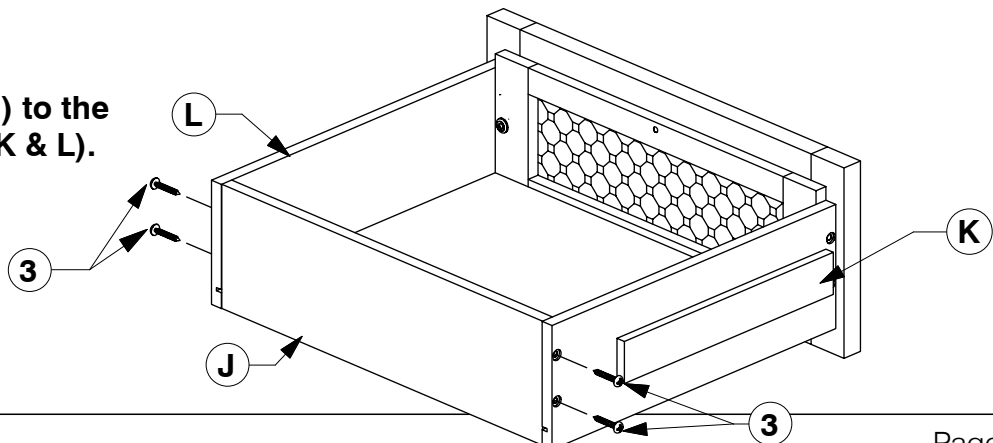
x2



4 Slide the Drawer Bottom (M) into the groove on the Drawer Sides (K & L).



5 Assemble the Drawer Back (J) to the Drawer Sides (K & L).

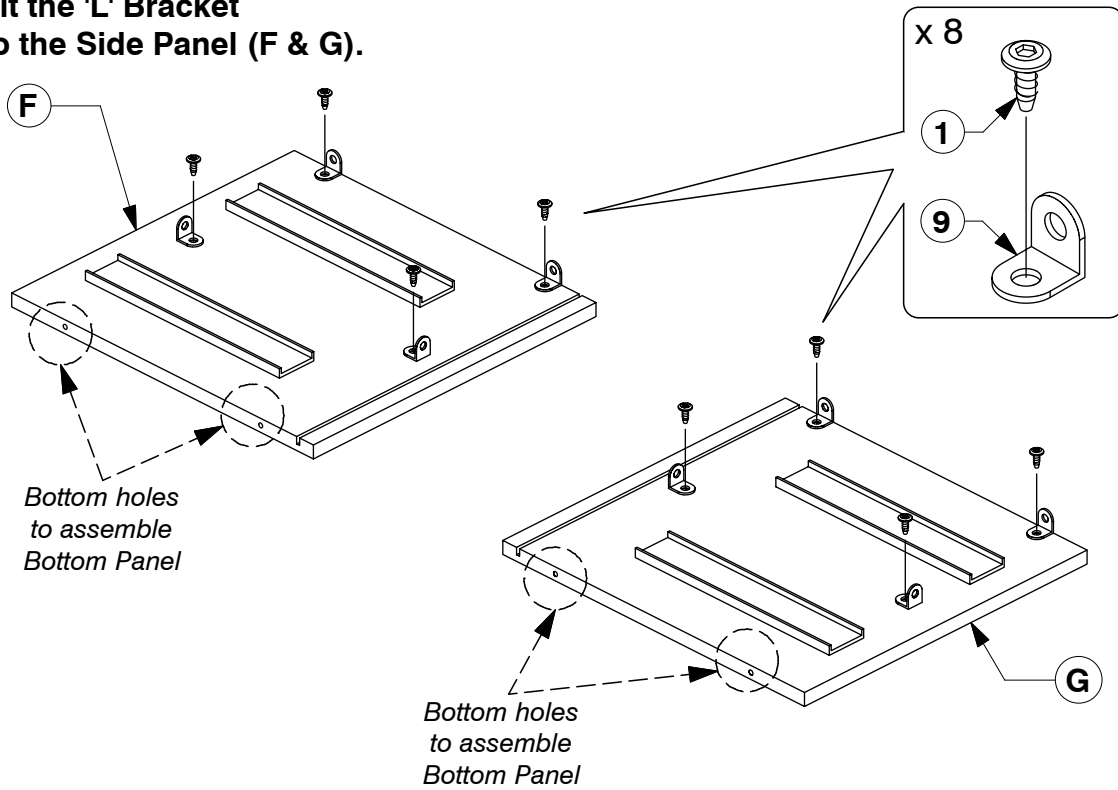


9001 2 Drawer Nightstand

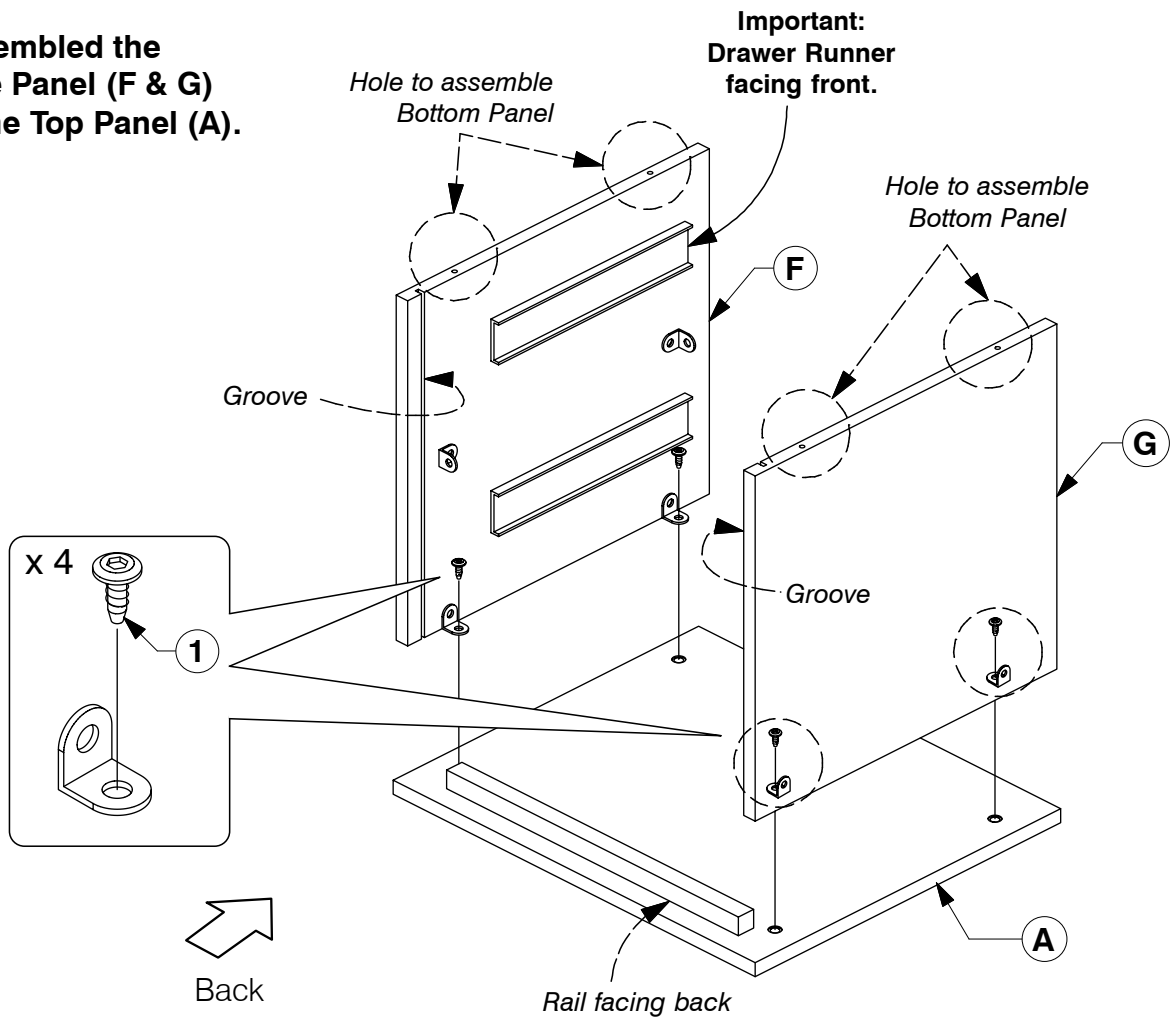
Assembly Instructions

WI-1220

6 Fit the 'L' Bracket to the Side Panel (F & G).



7 Assembled the Side Panel (F & G) to the Top Panel (A).

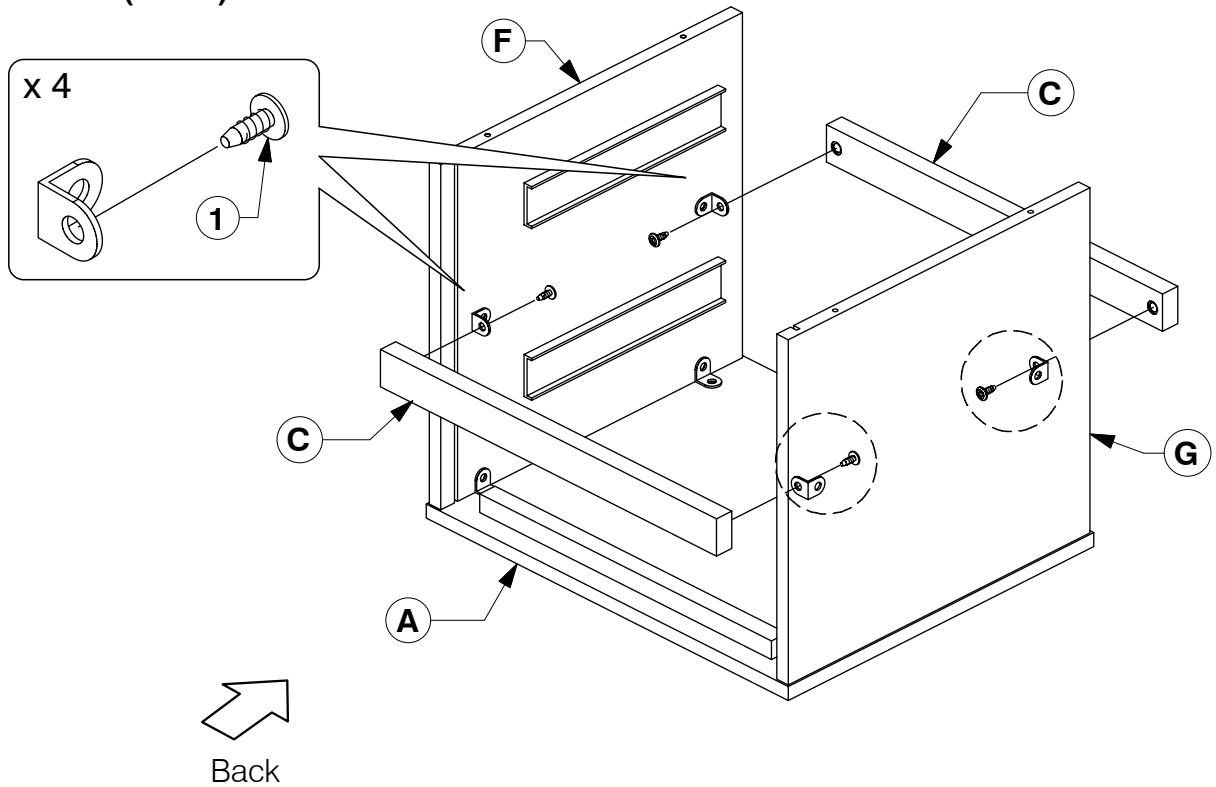


9001 2 Drawer Nightstand

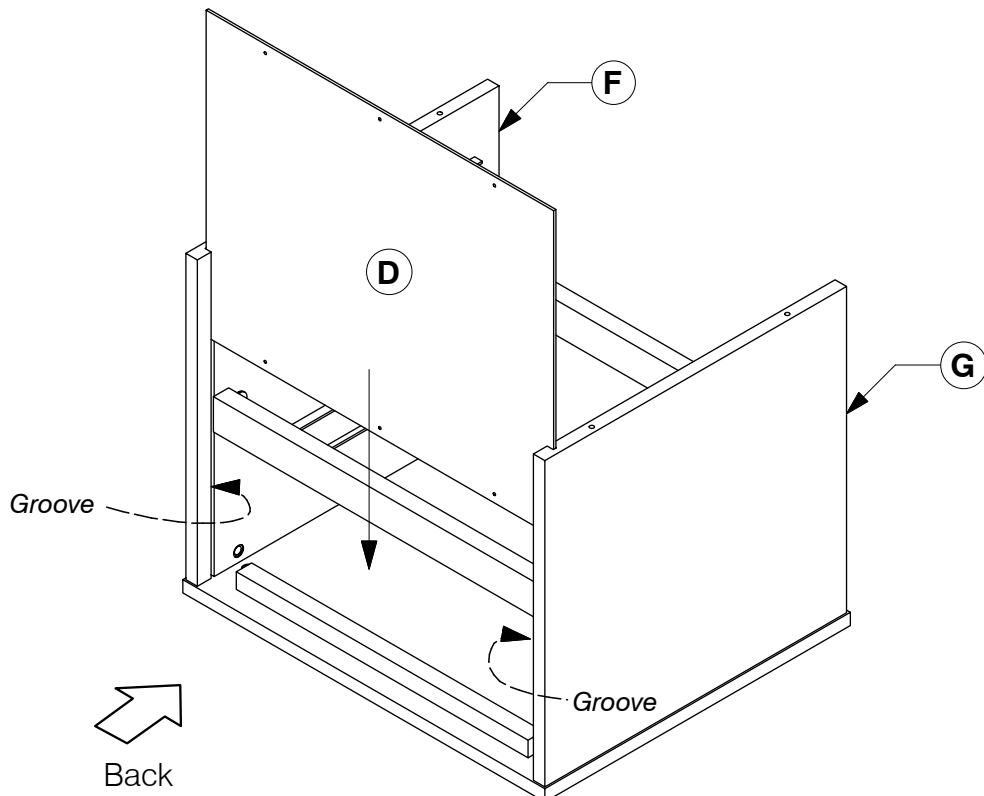
Assembly Instructions

WI-1220

- 8** Fit the Support Bar (C) to the Side Panel (F & G).



- 9** Slide the Back Panel (D) into the groove on the back of the Side Panel (F & G).

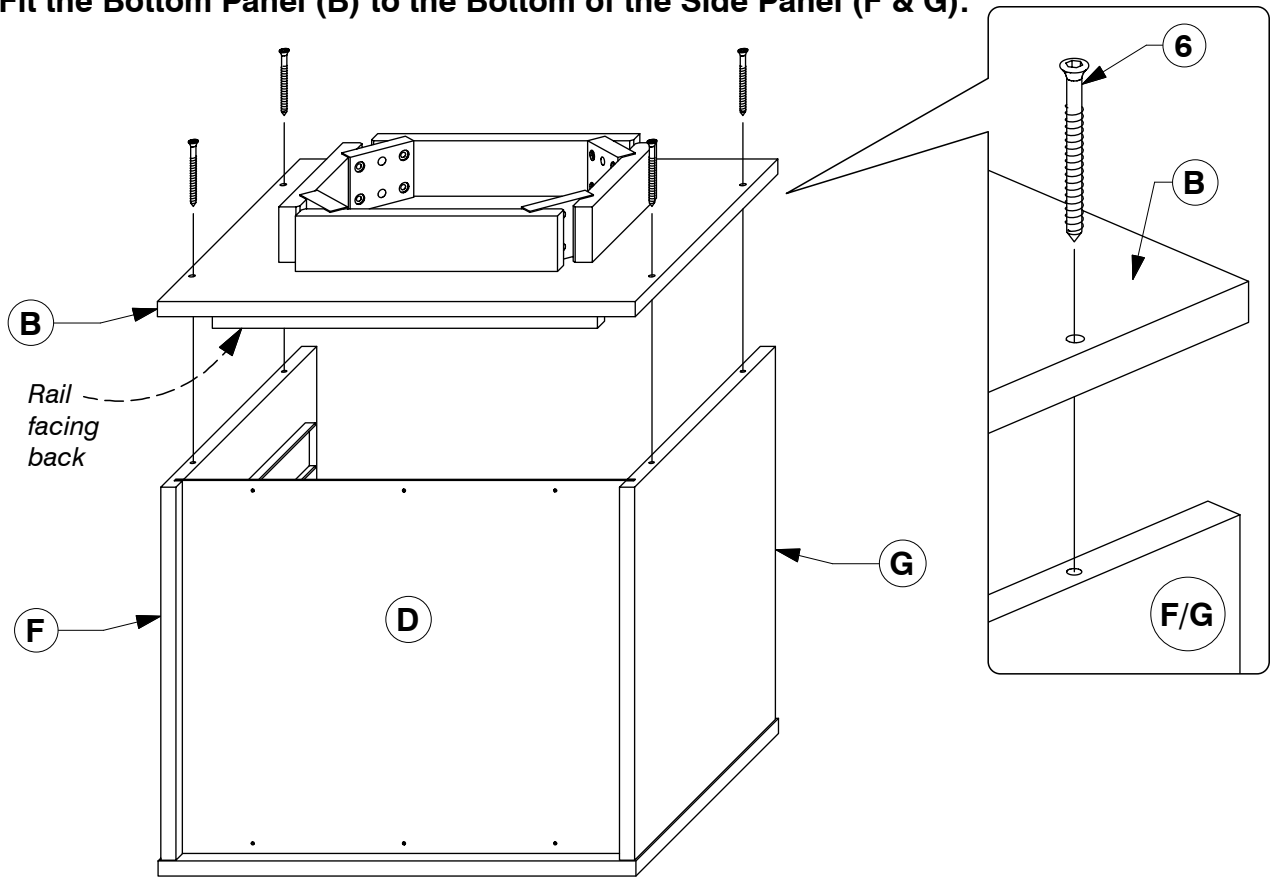


9001 2 Drawer Nightstand

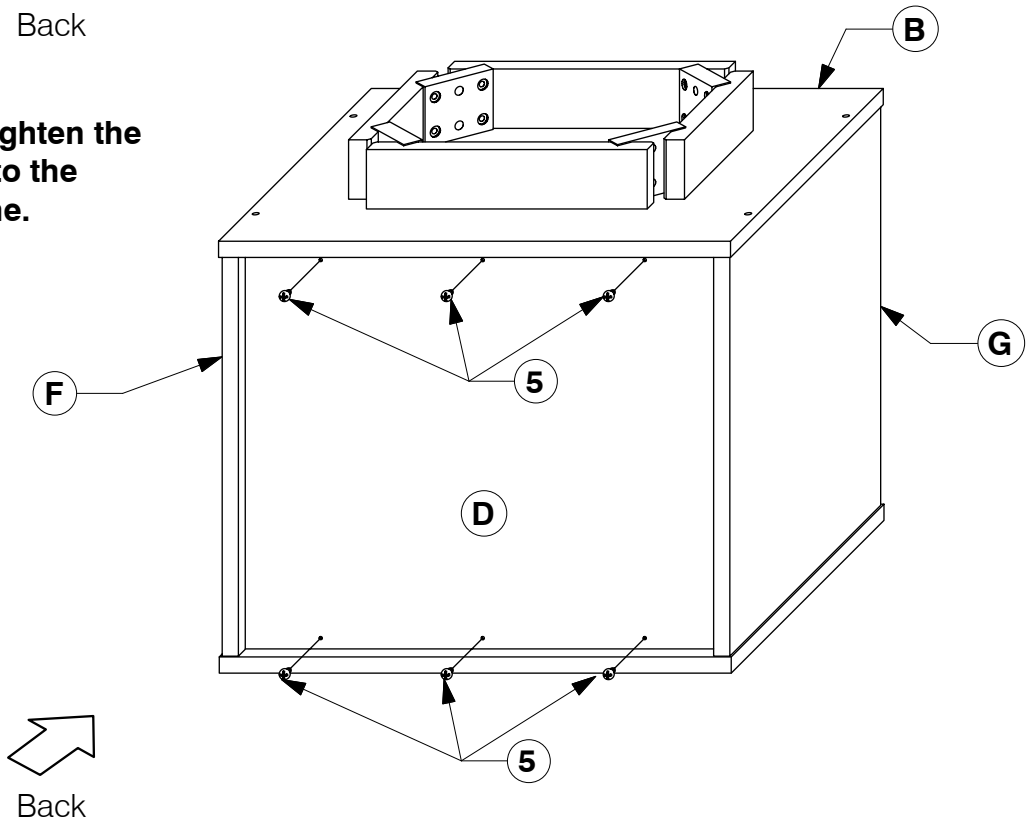
Assembly Instructions

WI-1220

- 10** Fit the Bottom Panel (B) to the Bottom of the Side Panel (F & G).



- 11** Use screws to tighten the Back Panel (D) to the back of the frame.

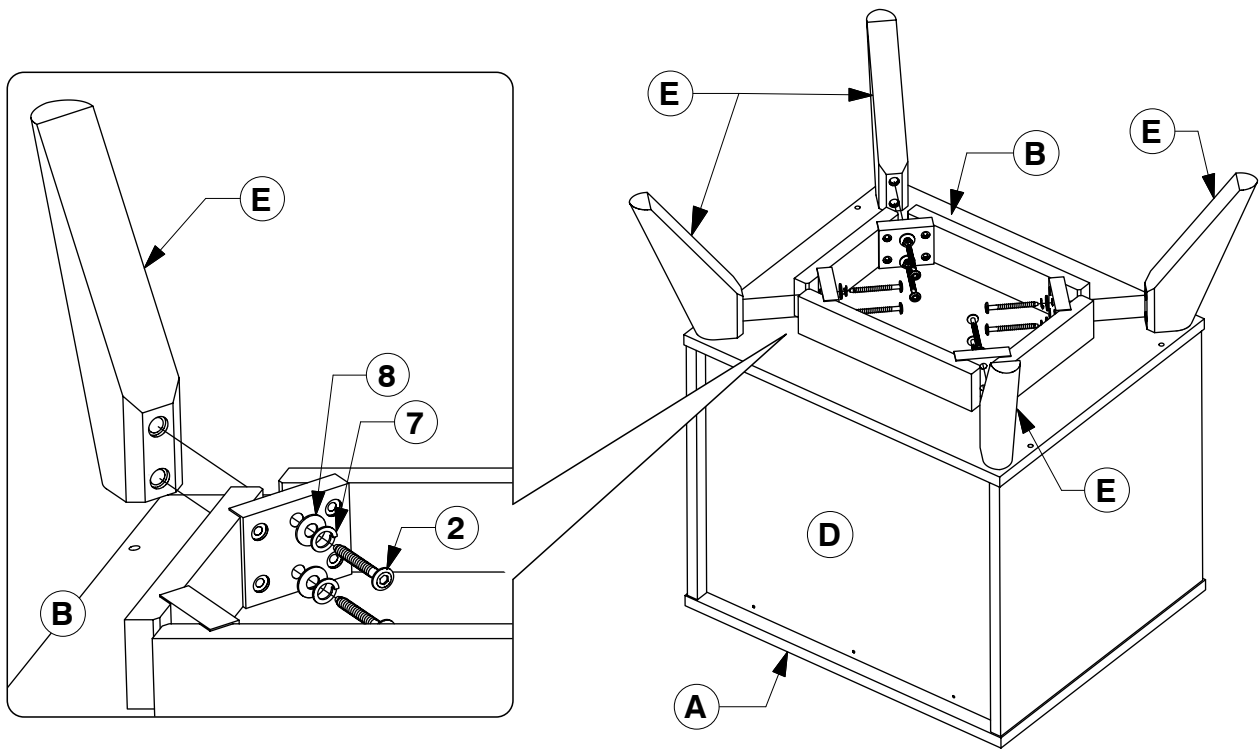


9001 2 Drawer Nightstand

Assembly Instructions

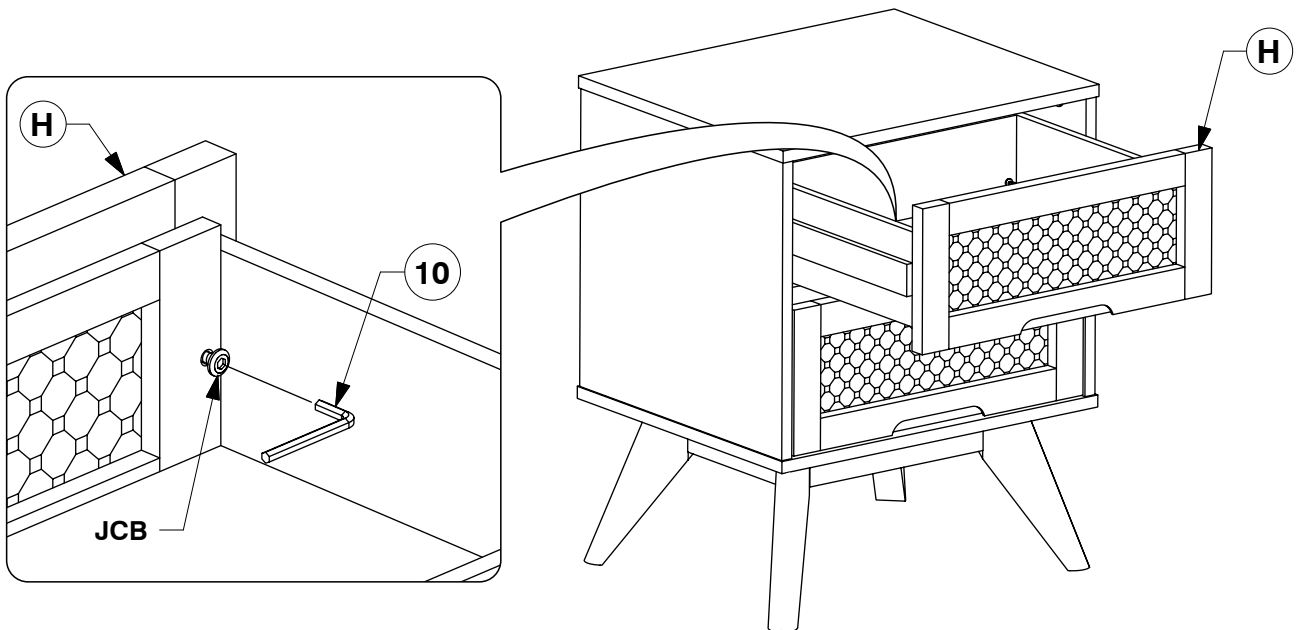
WI-1220

12 Fit the Post (E) to the Bottom Panel (B).



13 Fit and adjust the Drawer Face (H).

* NOTE: Before fitting the Wood Screws.
Loosen the JCBs on the Drawer Face if
the face needs alignment.

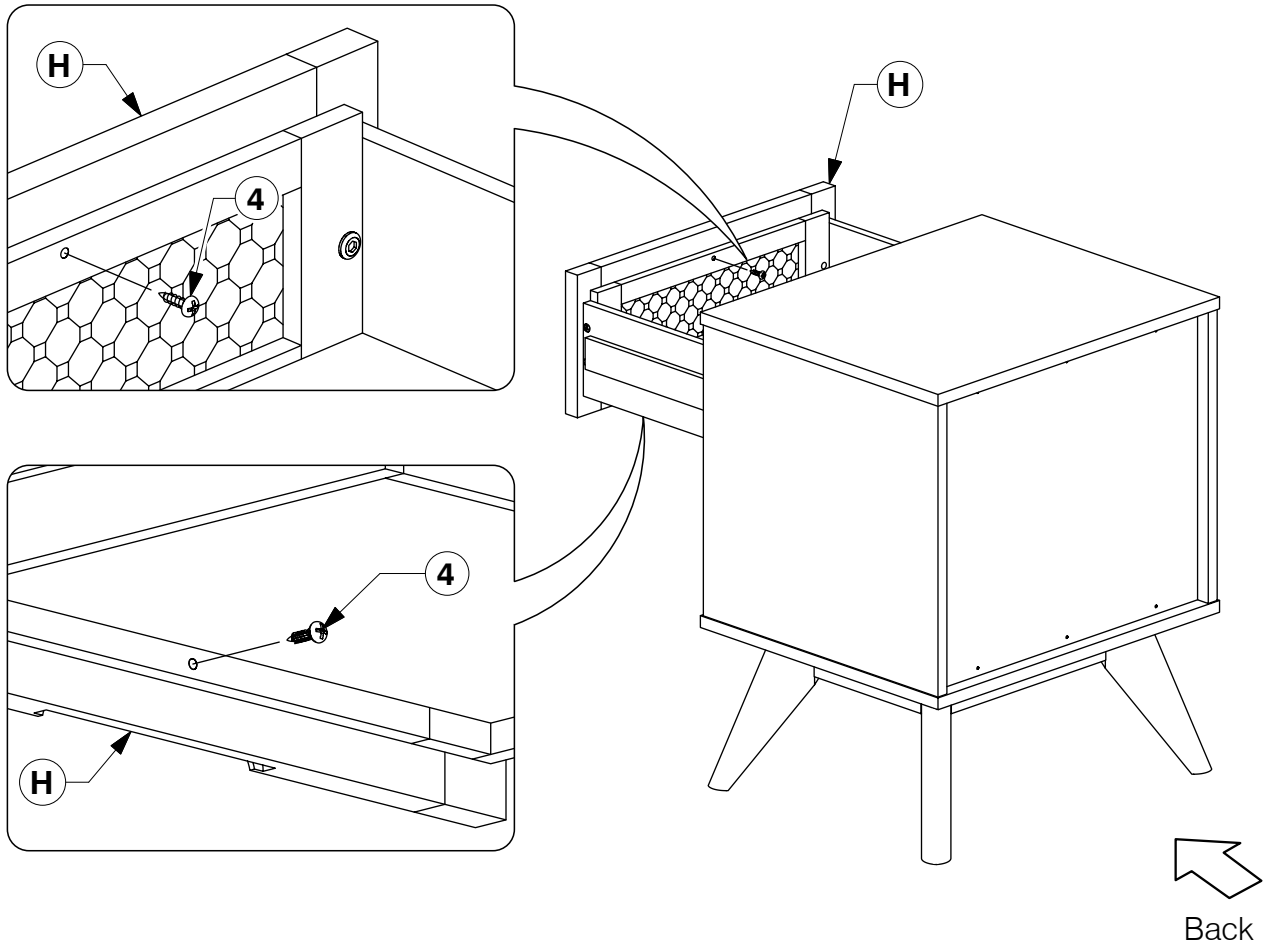


9001 2 Drawer Nightstand

Assembly Instructions

WI-1220

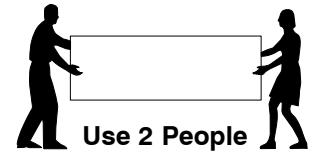
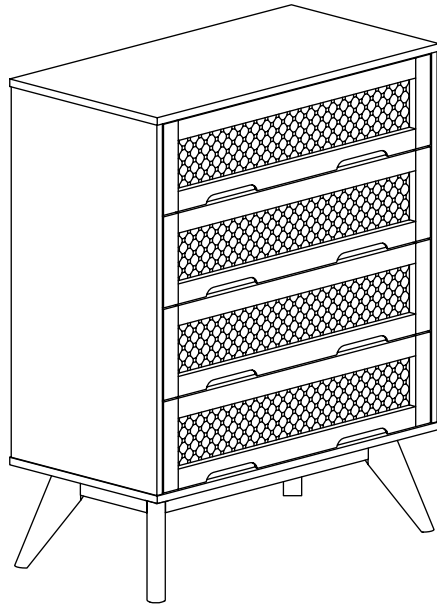
- 14** After the Drawer Faces (H) are aligned, secure with wood screws.



9001 4 Drawer Chest

Assembly Instructions

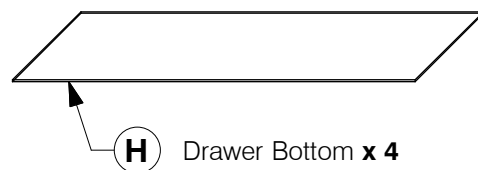
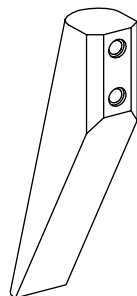
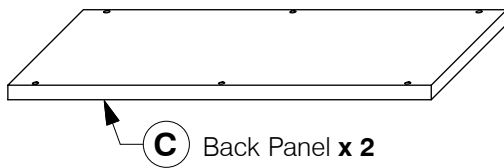
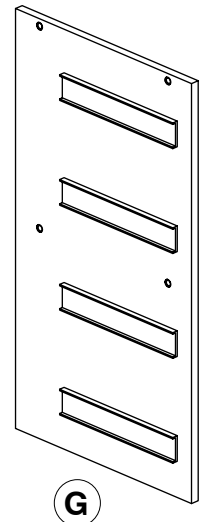
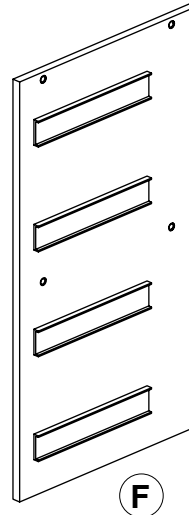
WI-1220



Note: Do not assemble using power tools. This can cause the bolts to be overtightened

1 Parts List

Parts in Box A:



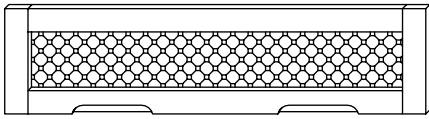
9001 4 Drawer Chest

Assembly Instructions

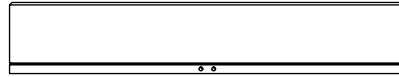
WI-1220

1 Parts List

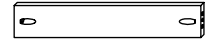
Parts in Box B:



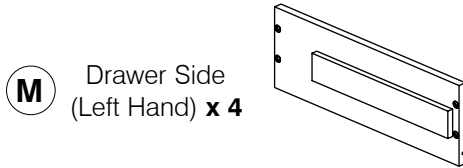
J Drawer Face x 4



K Drawer Back x 4



L Drawer Rail x 4



M Drawer Side (Left Hand) x 4



N Drawer Side (Right Hand) x 4

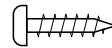
2 Hardware List



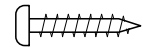
1 M6 x 15mm JCB x 16



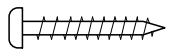
2 M6 x 60mm JCB x 8



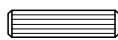
3 M4 x 20mm Wood Screw x 16



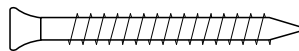
4 M4 x 25mm Wood Screw x 40



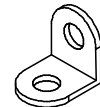
5 M4 x 32mm Wood Screw x 12



6 M6 x 25mm Wood Dowel x 16



7 CSK Cap Wood Screw (M6 x 50mm) x 4



8 'L' Bracket (5005-3) x 8



9 Spring Washer x 8



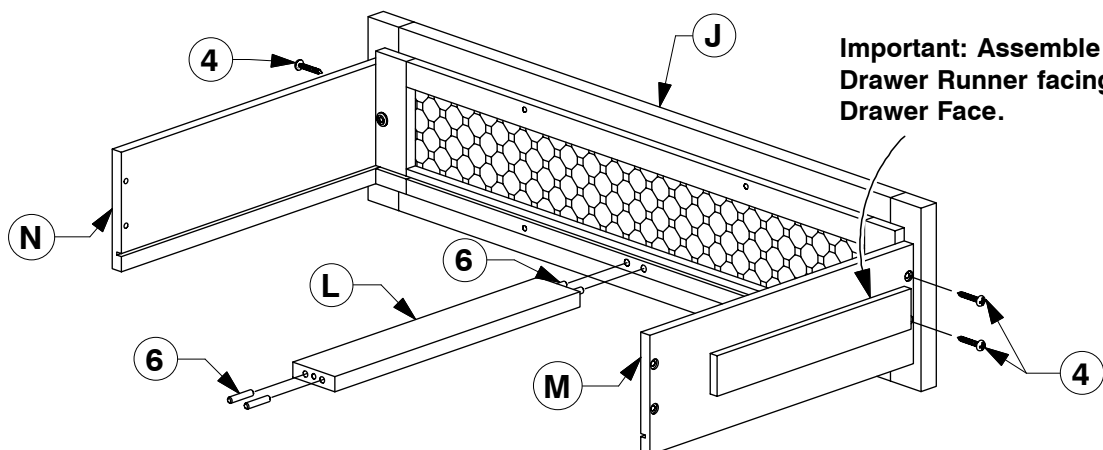
10 Flat Washer x 8



11 Allen Key x 1

3 Assemble the Drawer Sides (M & N) & Drawer Rail (L) to the Drawer Face (J).

x4



Important: Assemble the Drawer Runner facing Drawer Face.

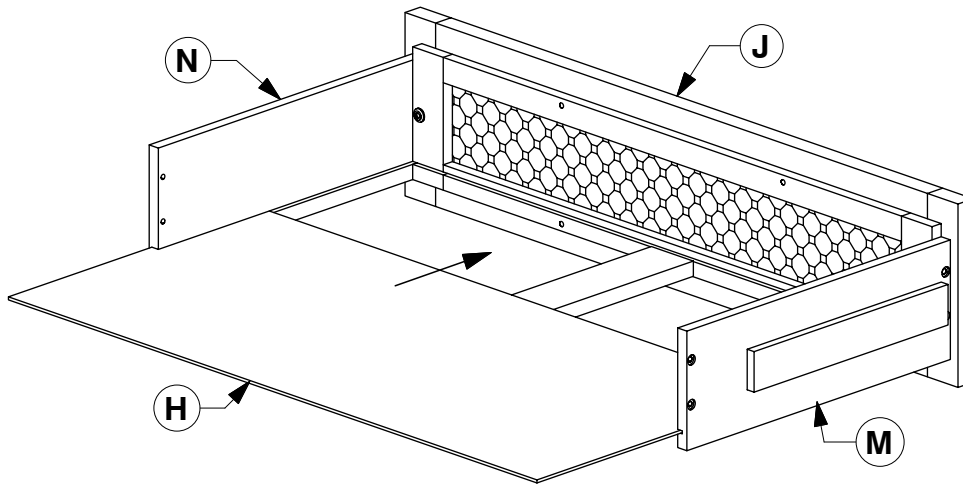
9001 4 Drawer Chest

Assembly Instructions

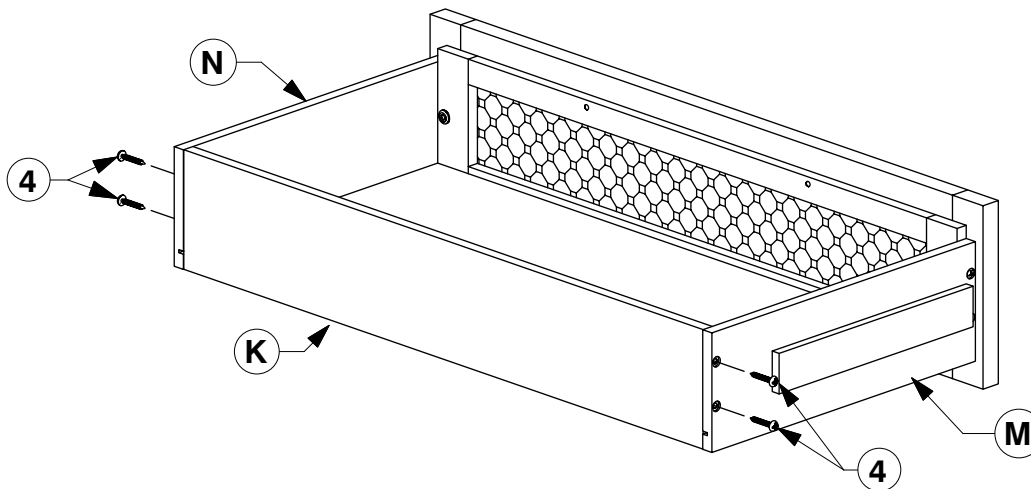
WI-1220

- 4** Slide the Drawer Bottom (H) into the groove on the Drawer Sides (M & N).

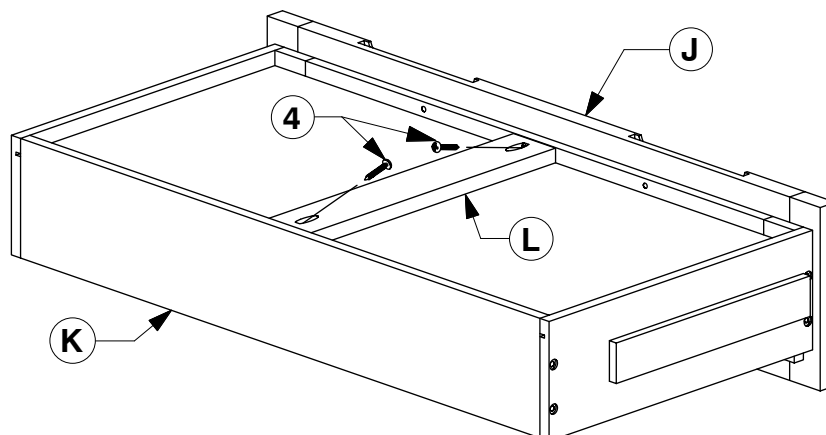
x4



- 5** Assemble the Drawer Back (K) to the Drawer Sides (M & N).



- 6** Turn the Drawer over to fit angled 25mm Wood screws (4) to the Drawer Rail (L).

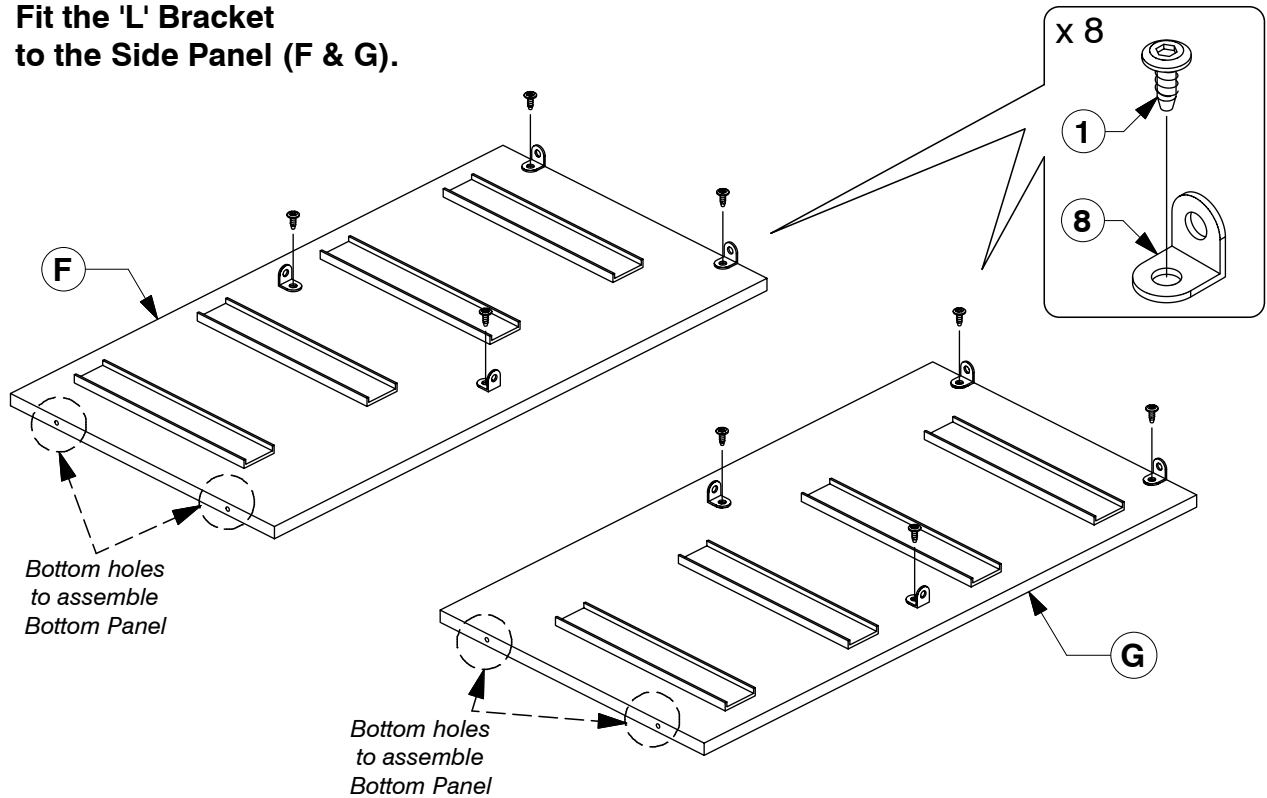


9001 4 Drawer Chest

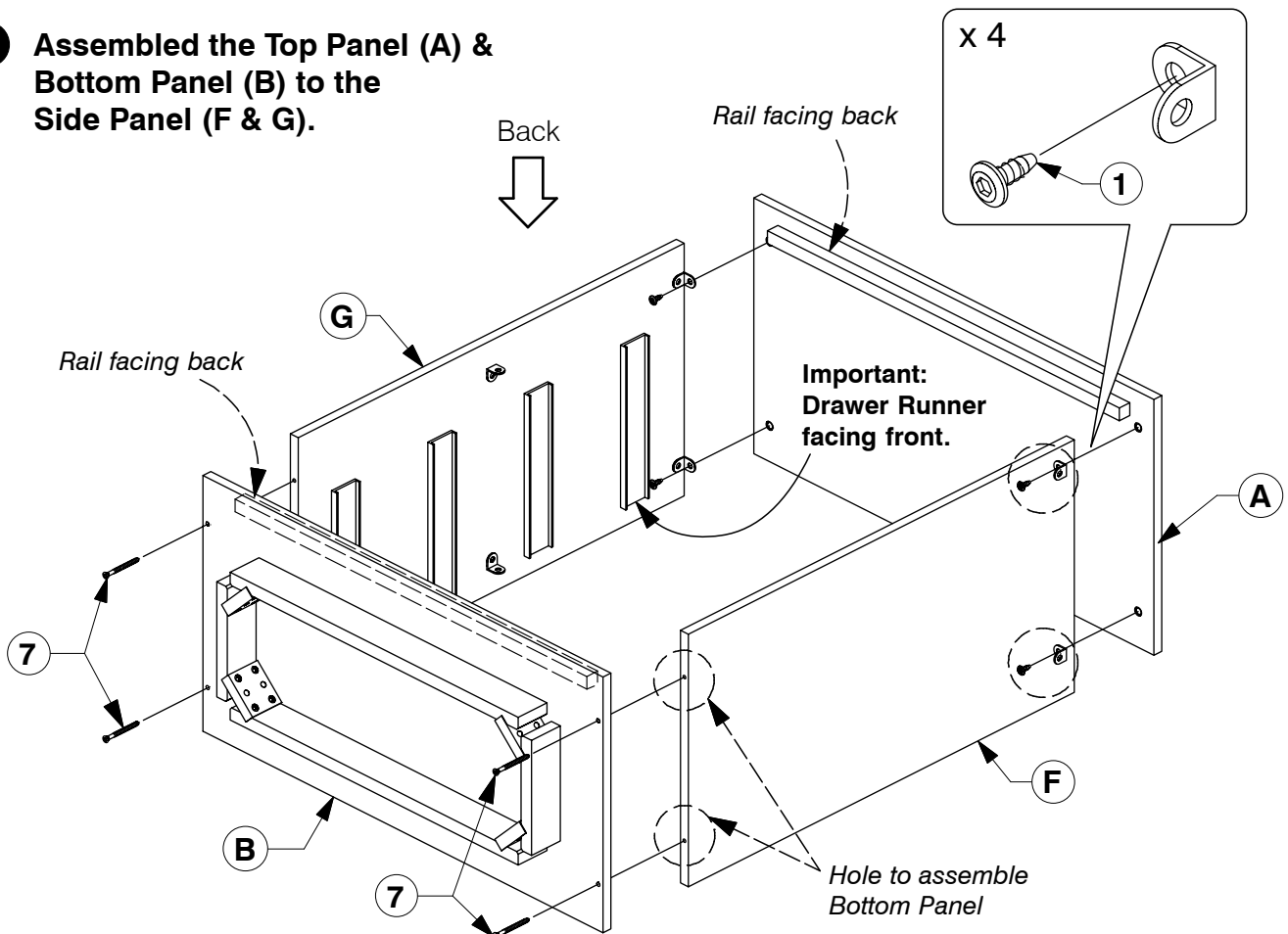
Assembly Instructions

WI-1220

- 7** Fit the 'L' Bracket to the Side Panel (F & G).



- 8** Assemble the Top Panel (A) & Bottom Panel (B) to the Side Panel (F & G).

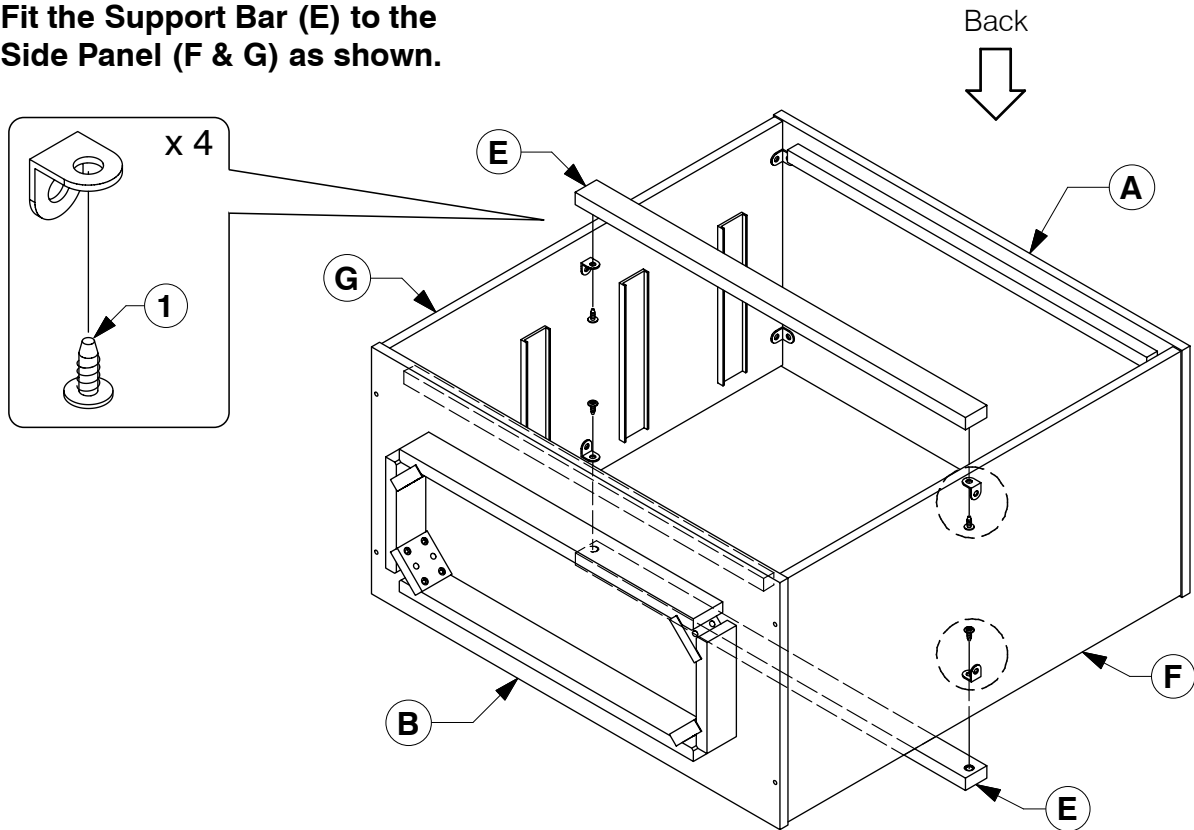


9001 4 Drawer Chest

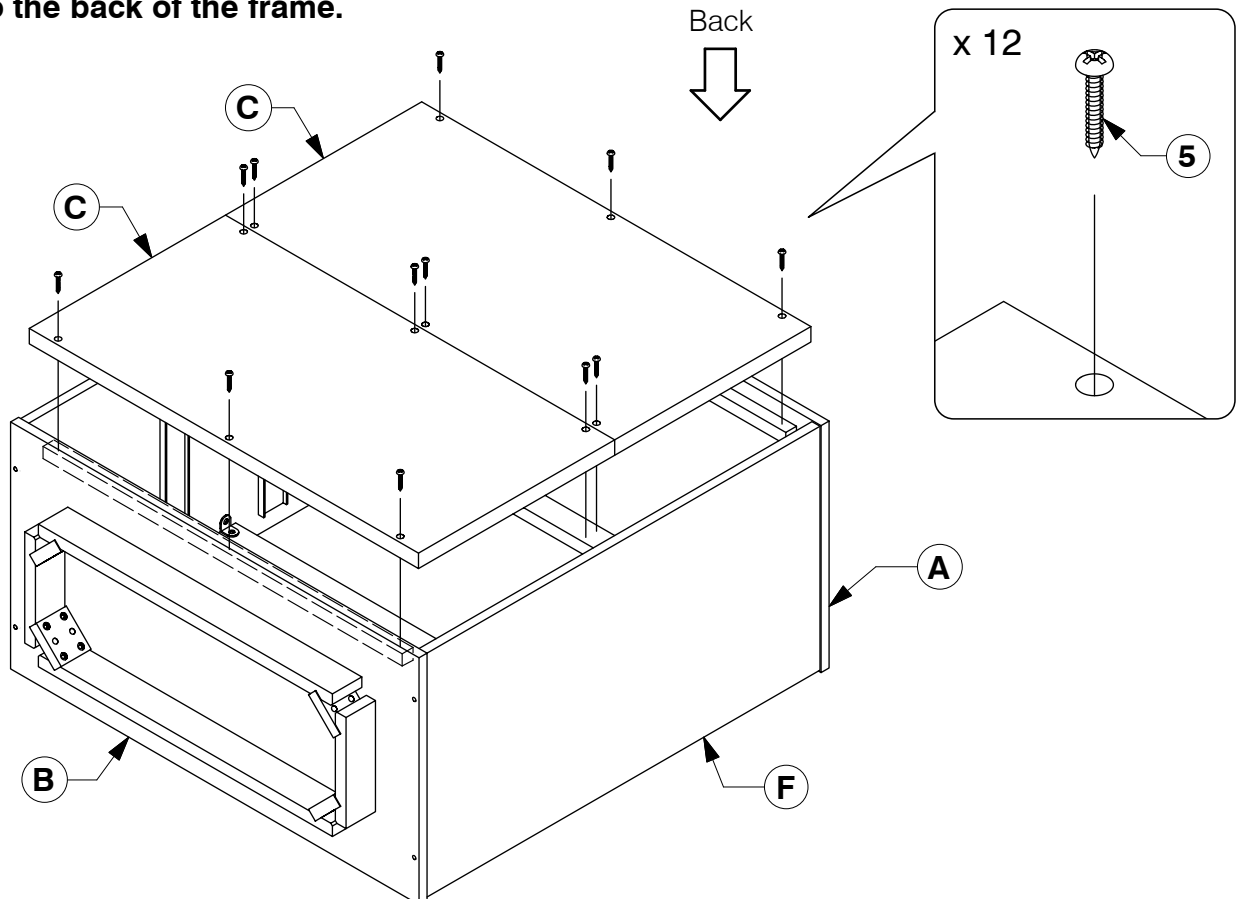
Assembly Instructions

WI-1220

- 9** Fit the Support Bar (E) to the Side Panel (F & G) as shown.



- 10** Attached the Back Panel (C) to the back of the frame.

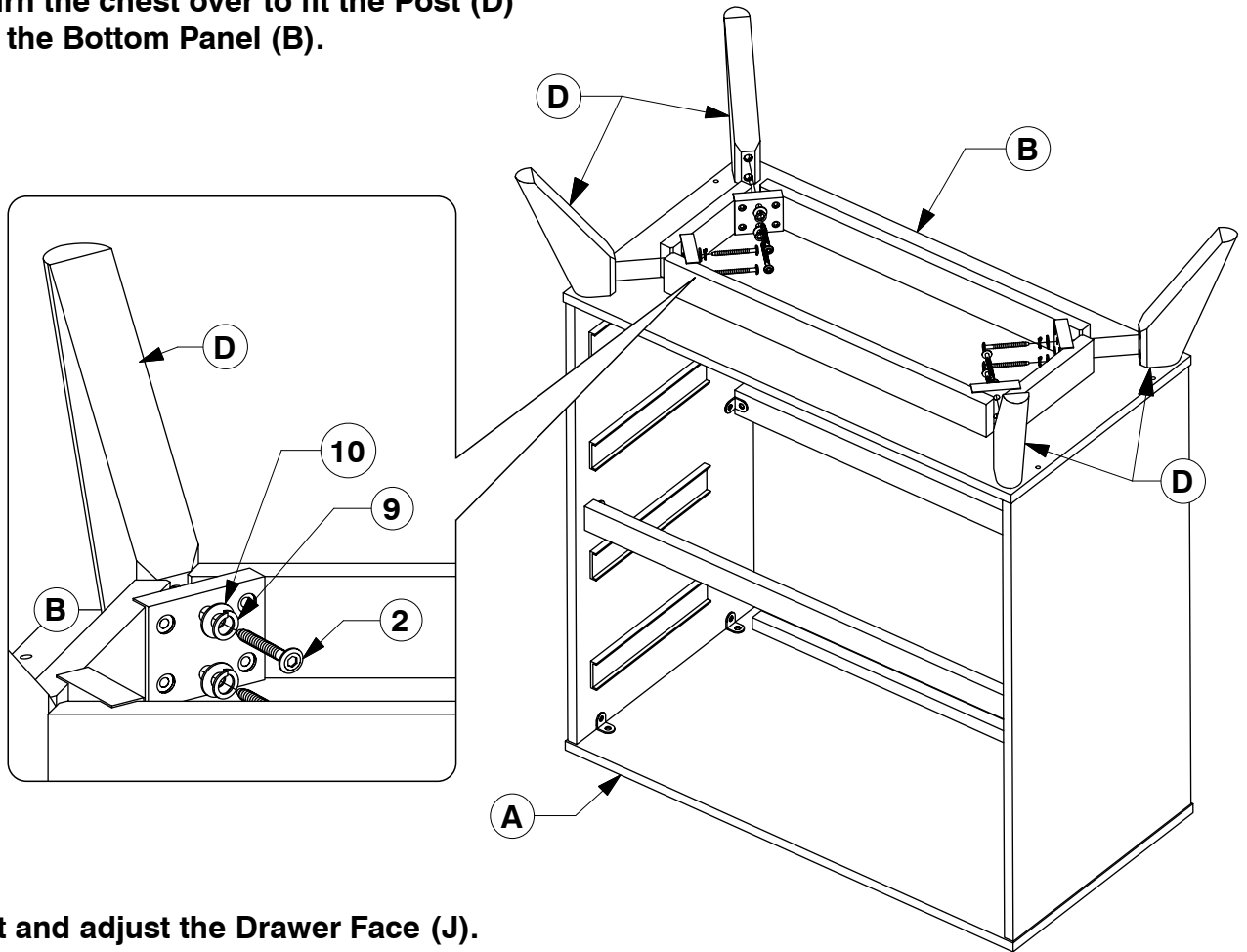


9001 4 Drawer Chest

Assembly Instructions

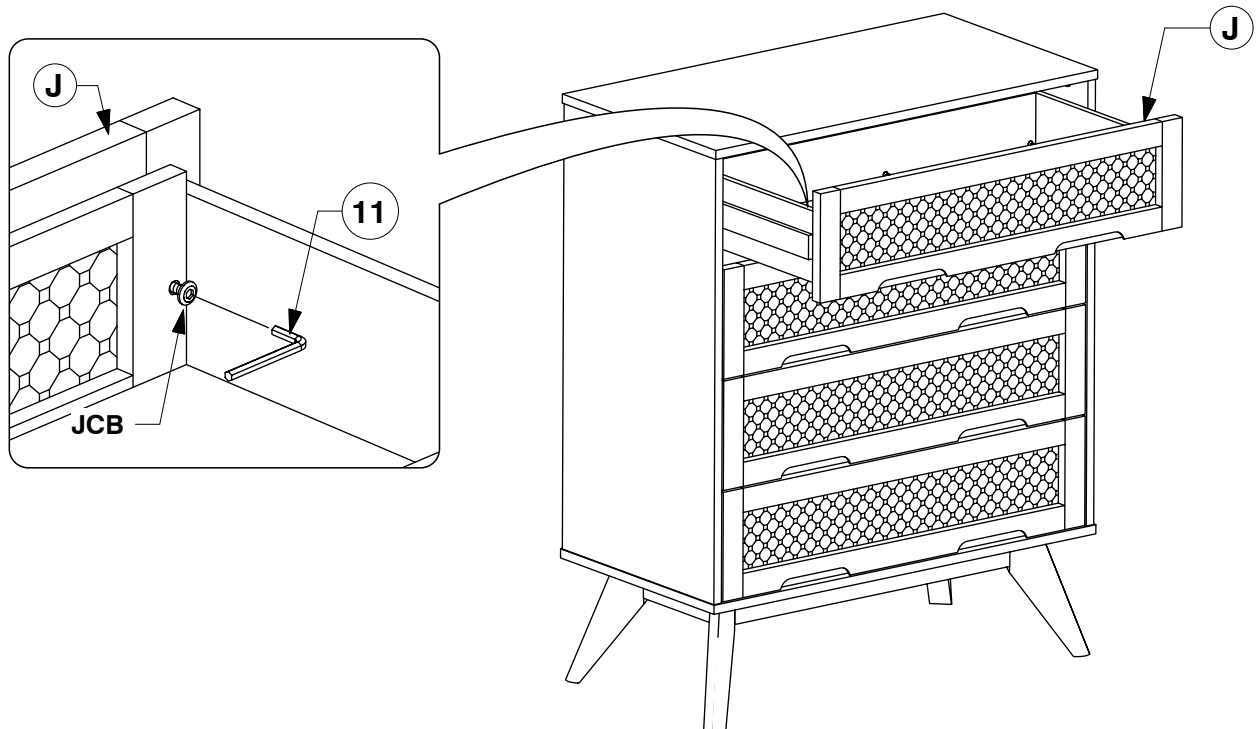
WI-1220

- 11** Turn the chest over to fit the Post (D) to the Bottom Panel (B).



- 12** Fit and adjust the Drawer Face (J).

* NOTE: Before fitting the Wood Screws.
Loosen the JCBs on the Drawer Face if the face needs alignment.

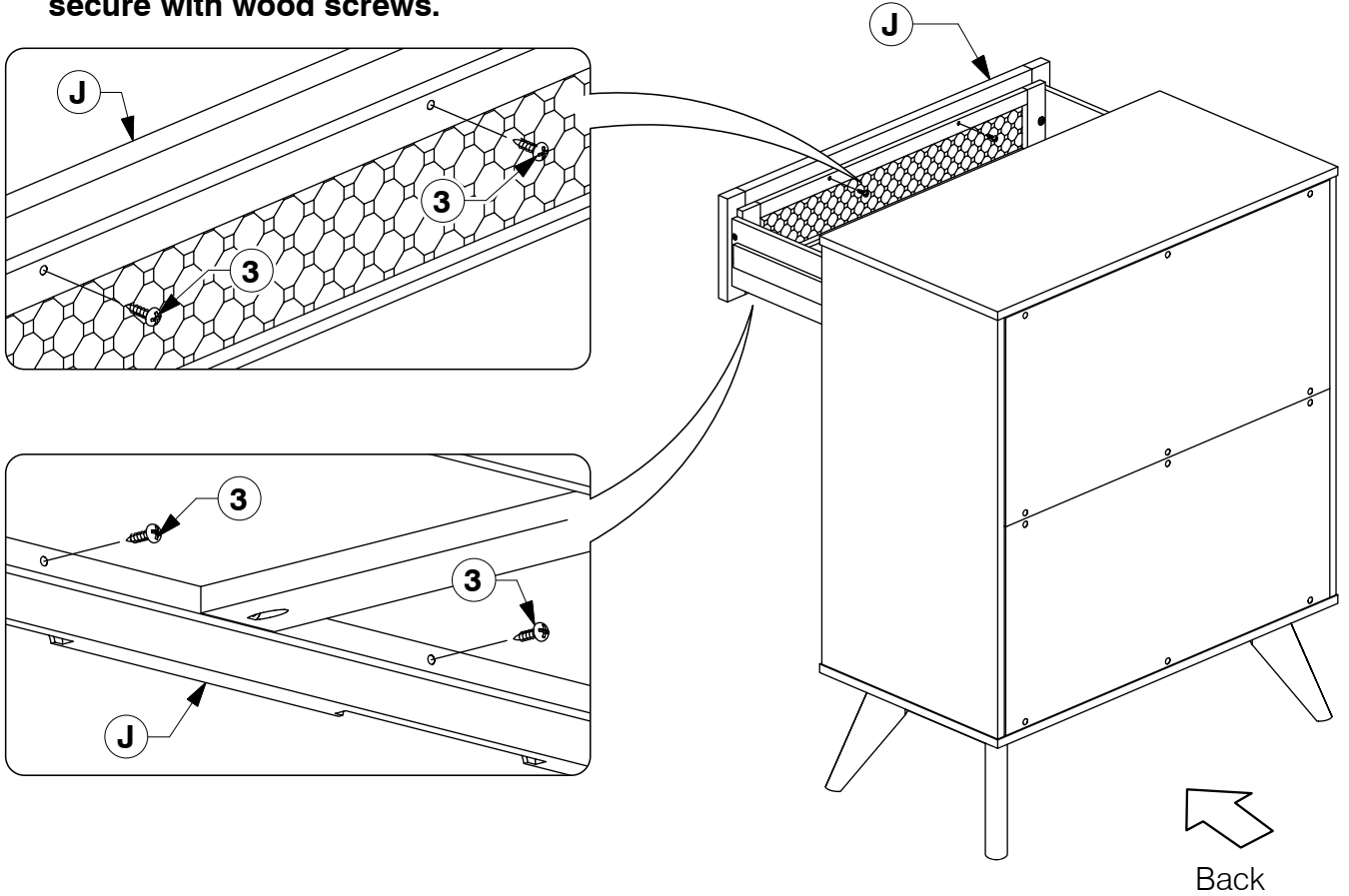


9001 4 Drawer Chest

Assembly Instructions

WI-1220

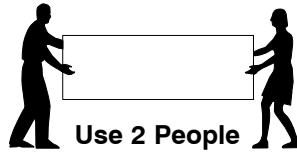
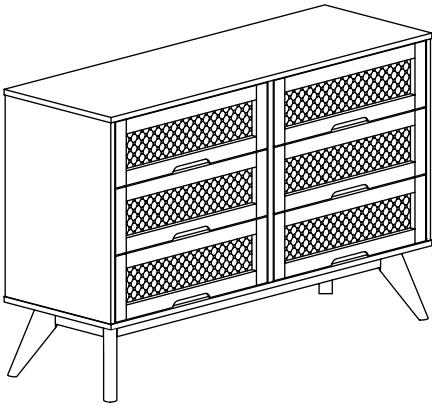
- 13** After the Drawer Faces (J) are aligned, secure with wood screws.



9001 6 Drawer Dresser

Assembly Instructions

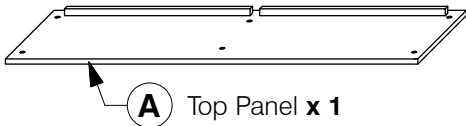
WI-1220



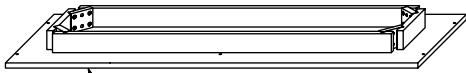
Note: Do not assemble using power tools. This can cause the bolts to be overtightened

1 Parts List

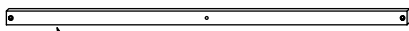
Parts in Box A:



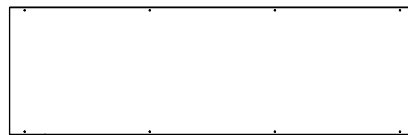
A Top Panel x 1



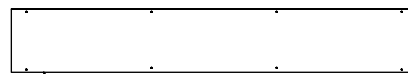
B Bottom Panel x 1



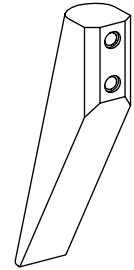
C Support Bar x 2



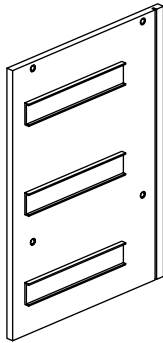
D Back Panel (Wider) x 1



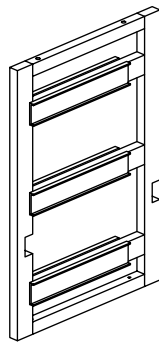
E Back Panel (Narrow) x 1



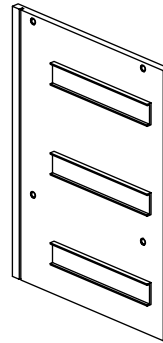
F Post x 4



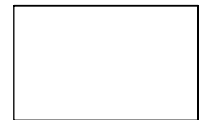
G Side Panel (Left Hand) x 1



H Center Frame x 1

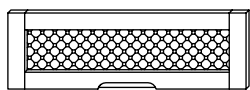


J Side Panel (Right Hand) x 1

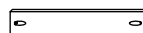


K Drawer Bottom x 6

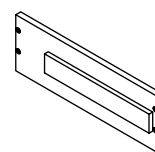
Parts in Box B:



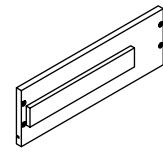
L Drawer Face x 6



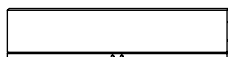
N Drawer Rail x 6



O Drawer Side (Left Hand) x 6



P Drawer Side (Right Hand) x 6



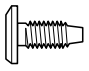


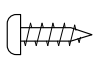
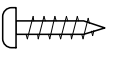
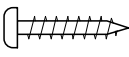

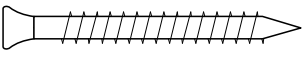


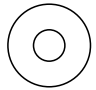

M Drawer Back x 6

9001 6 Drawer Dresser

Assembly Instructions

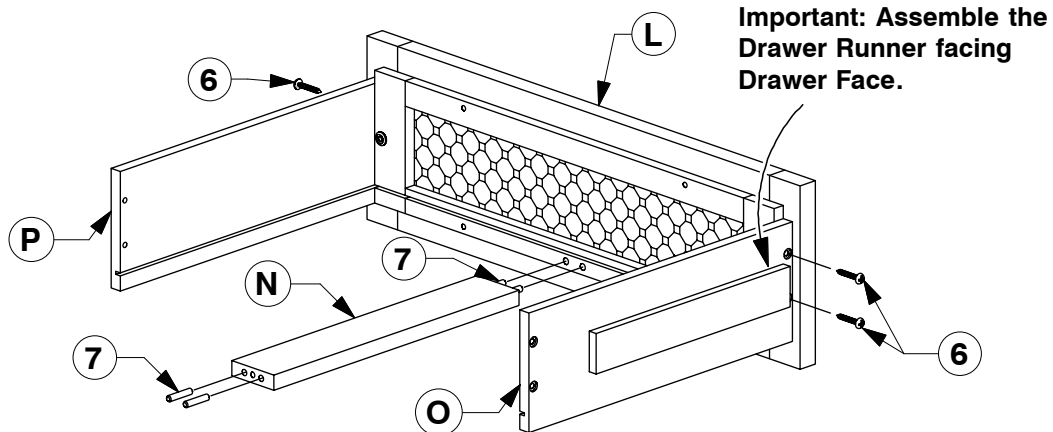
WI-1220

2 Hardware List

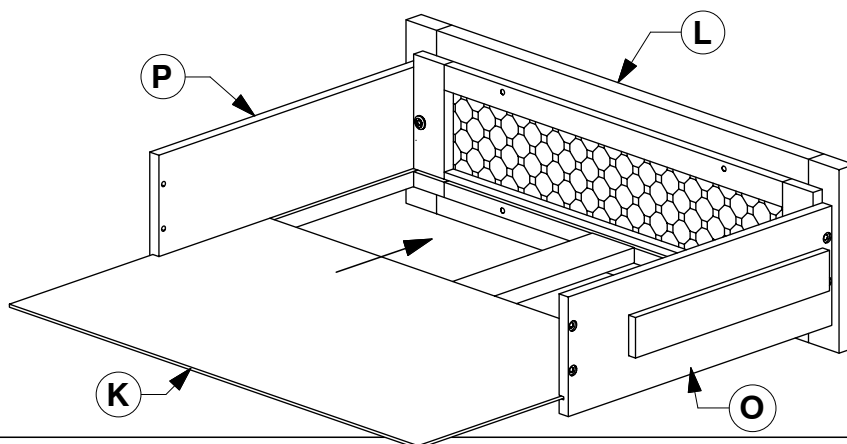
- | | | | |
|--|--|--|--|
| 
1 M6 x 15mm JCB
x 16 | 
2 M6 x 60mm JCB
x 8 | 
3 M6 x 35mm JCB
x 4 | 
4 Wood Screw (M4 x 16mm)
x 16 |
| 
5 Wood Screw (M4 x 20mm)
x 24 | 
6 Wood Screw (M4 x 25mm)
x 60 | 
7 M6 x 25mm Wood Dowel
x 24 | 
8 CSK Cap Wood Screw (M6 x 50mm) x 6 |
| 
9 'L' Bracket (5005-3) x 8 | 
10 Spring Washer x 8 | 
11 Flat Washer x 8 | 
12 Allen Key x 1 |

3 Assemble the Drawer Sides (O & P) & Drawer Rail (N) to the Drawer Face (L).

x6



4 Slide the Drawer Bottom (K) into the groove on the Drawer Sides (O & P).



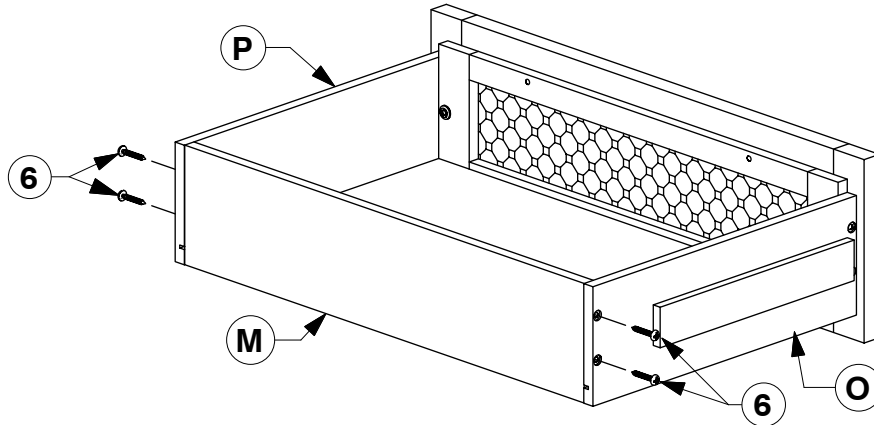
9001 6 Drawer Dresser

Assembly Instructions

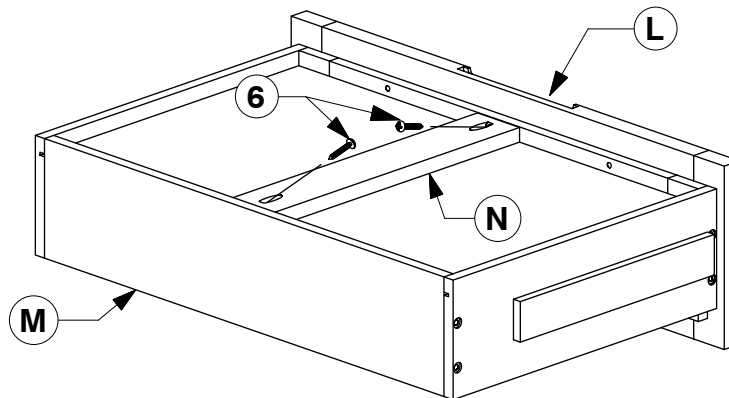
WI-1220

- 5** Assemble the Drawer Back (M) to the Drawer Sides (O & P).

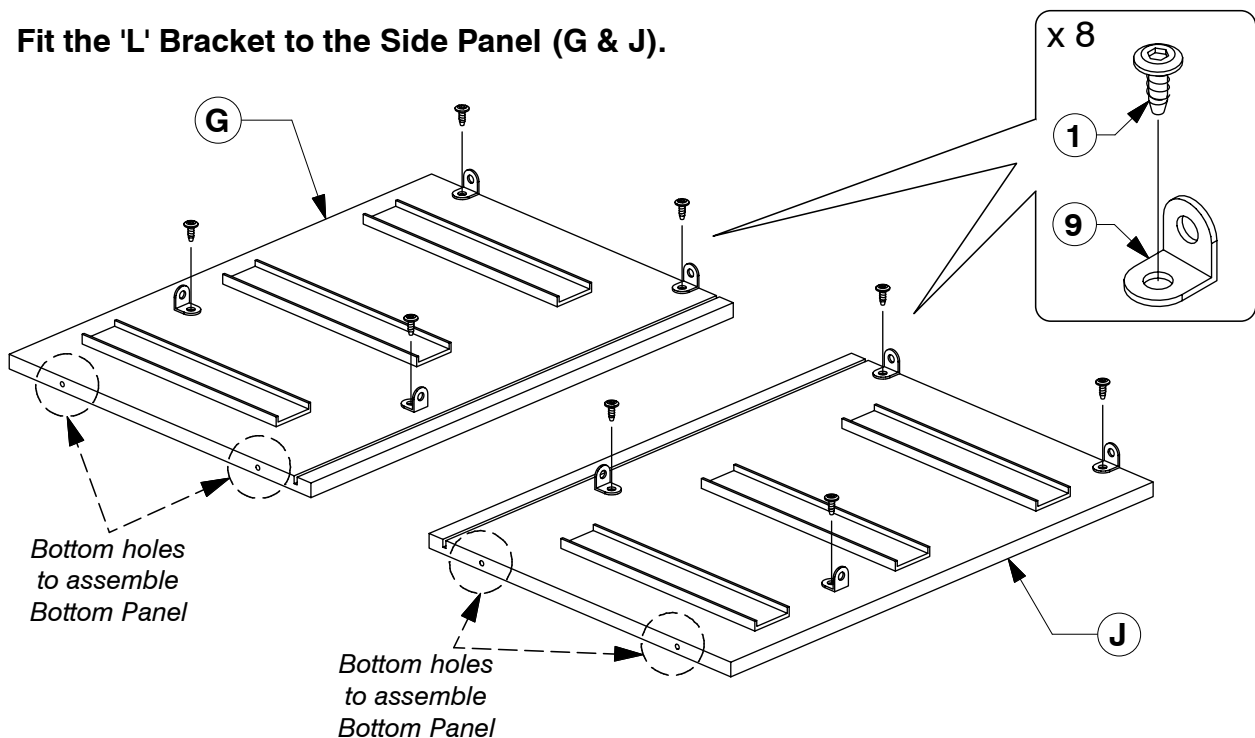
x6



- 6** Turn the Drawer over to fit angled 25mm Wood screws (6) to the Drawer Rail (N).



- 7** Fit the 'L' Bracket to the Side Panel (G & J).

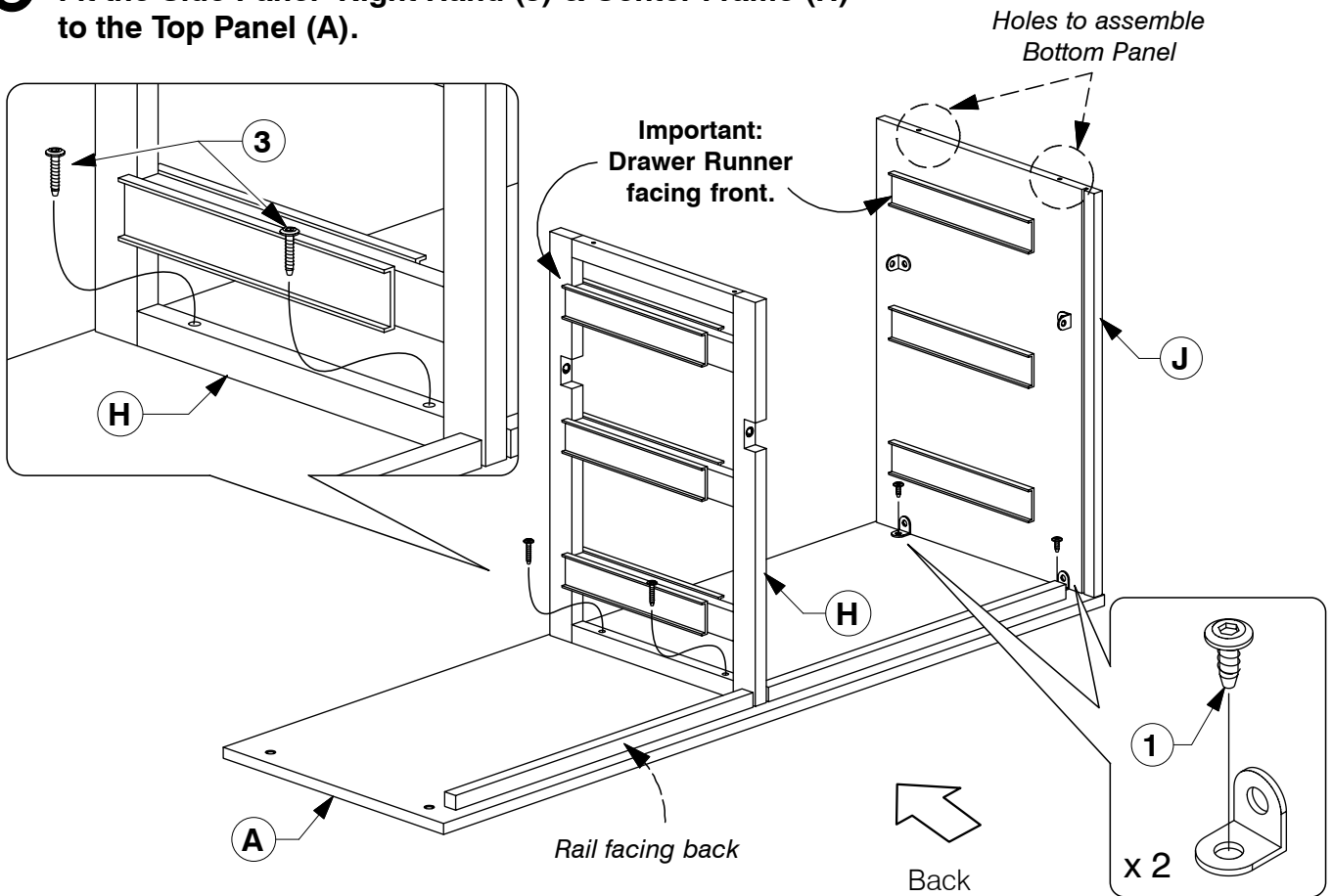


9001 6 Drawer Dresser

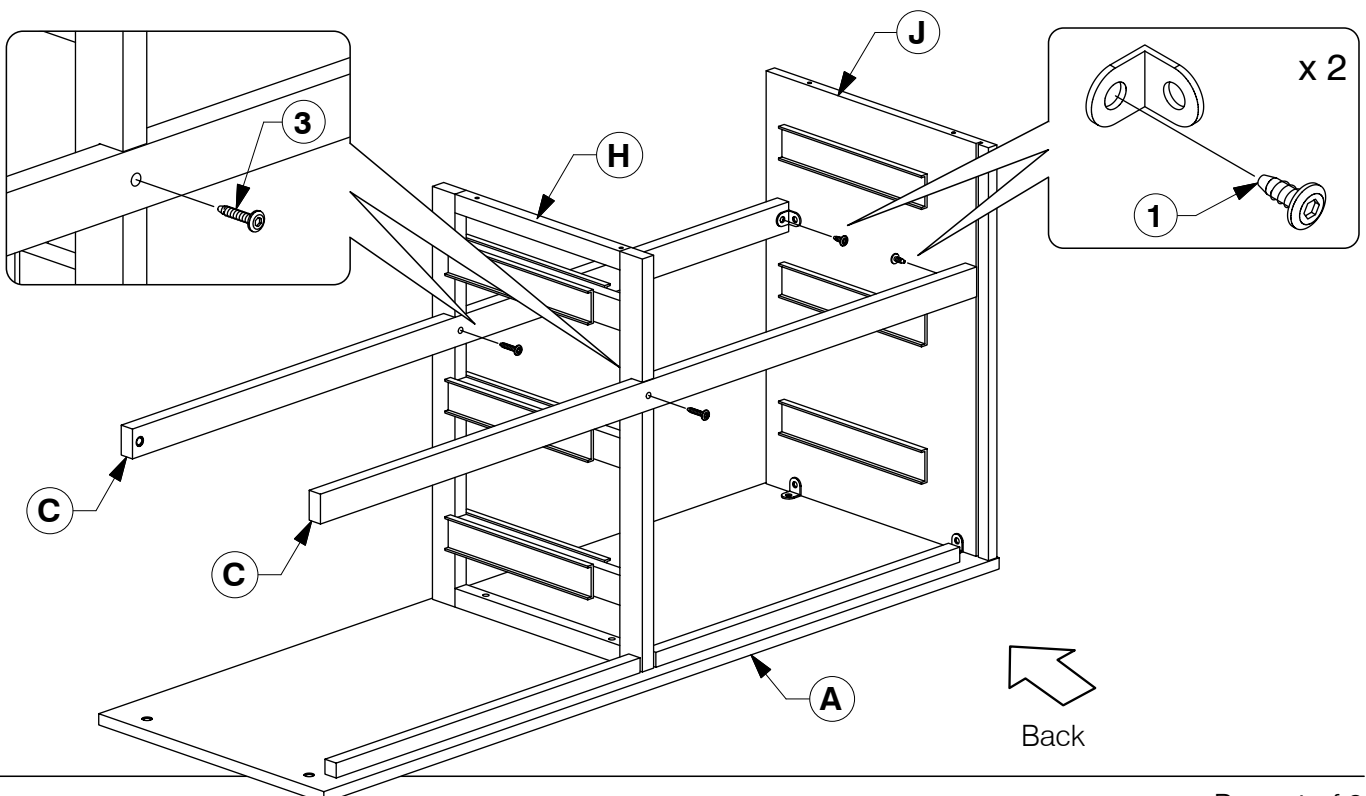
Assembly Instructions

WI-1220

- 8** Fit the Side Panel- Right Hand (J) & Center Frame (H) to the Top Panel (A).



- 9** Fit the Support Bar (C) to the Side Panel- Right Hand (J) & Center Frame (H) as shown.

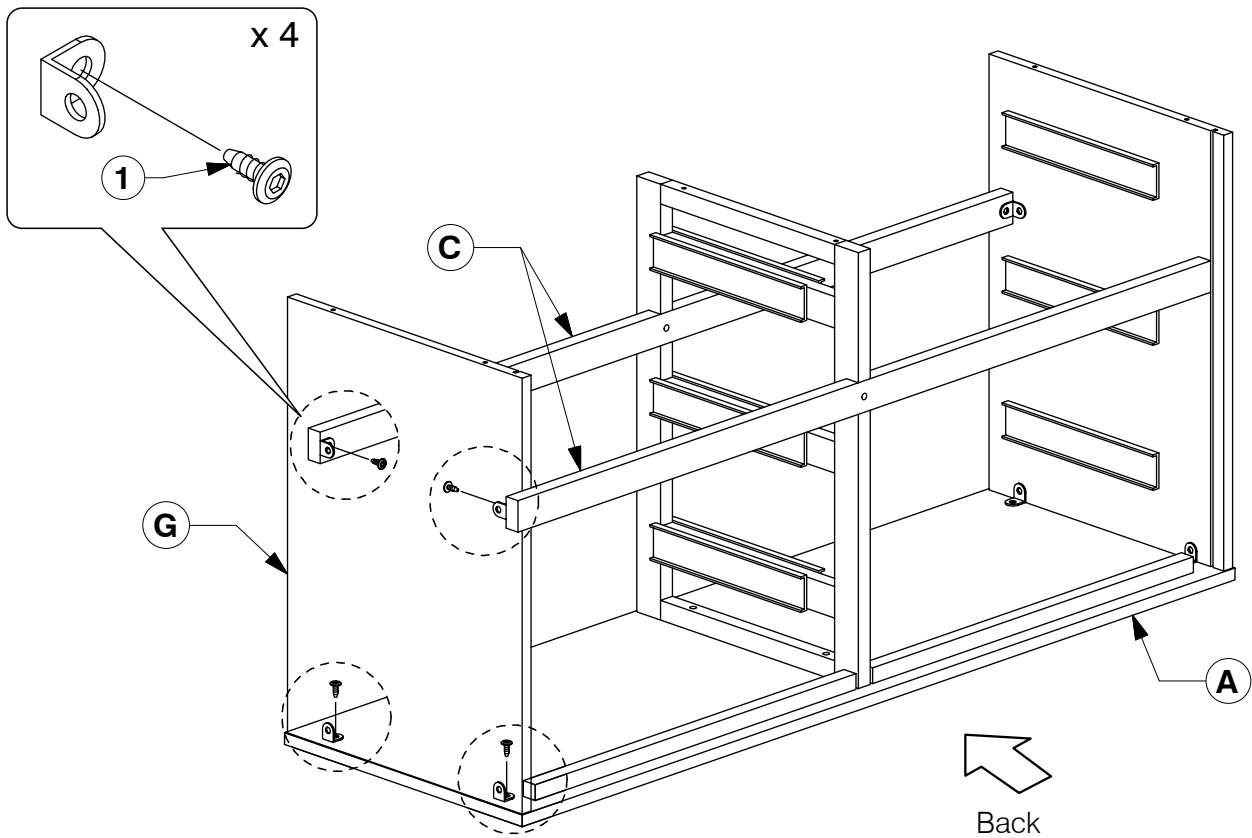


9001 6 Drawer Dresser

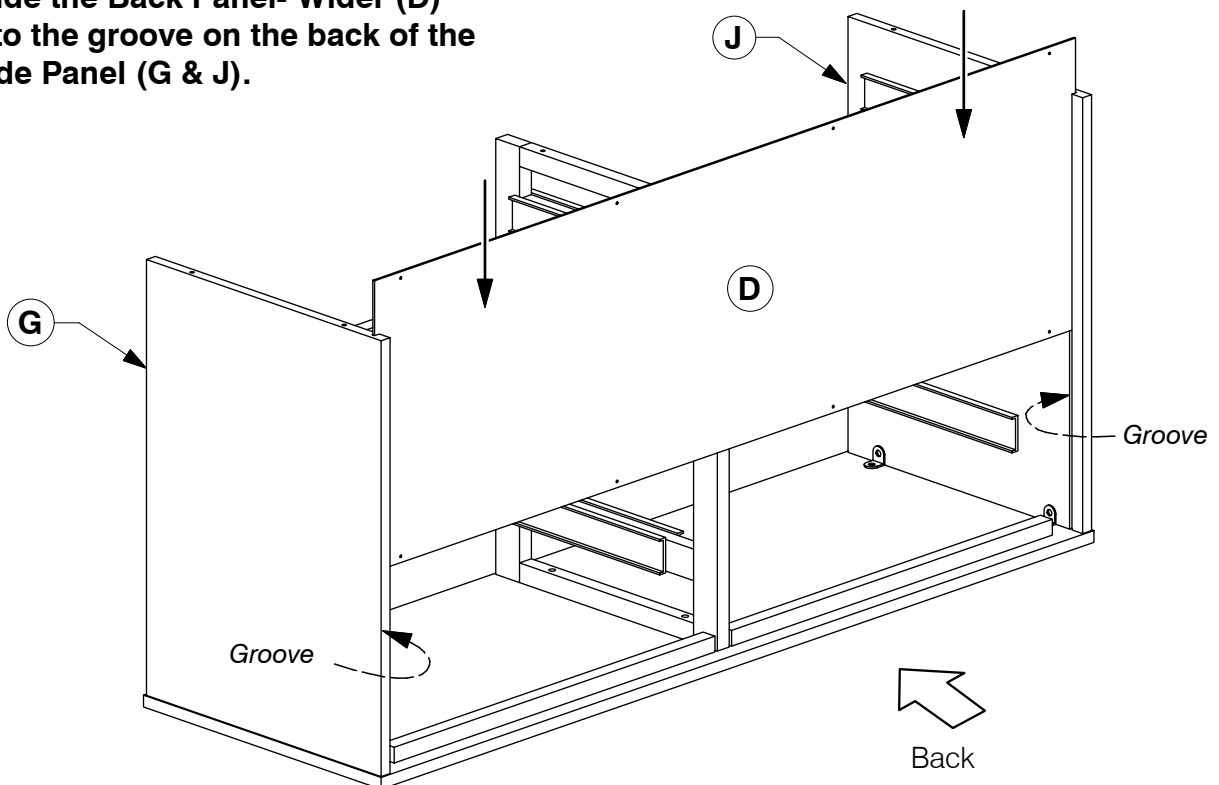
Assembly Instructions

WI-1220

- 10** Fit the other side of Side Panel- Left Hand (G) to the Top Panel (A) & Support Bar (C).



- 11** Slide the Back Panel- Wider (D) into the groove on the back of the Side Panel (G & J).

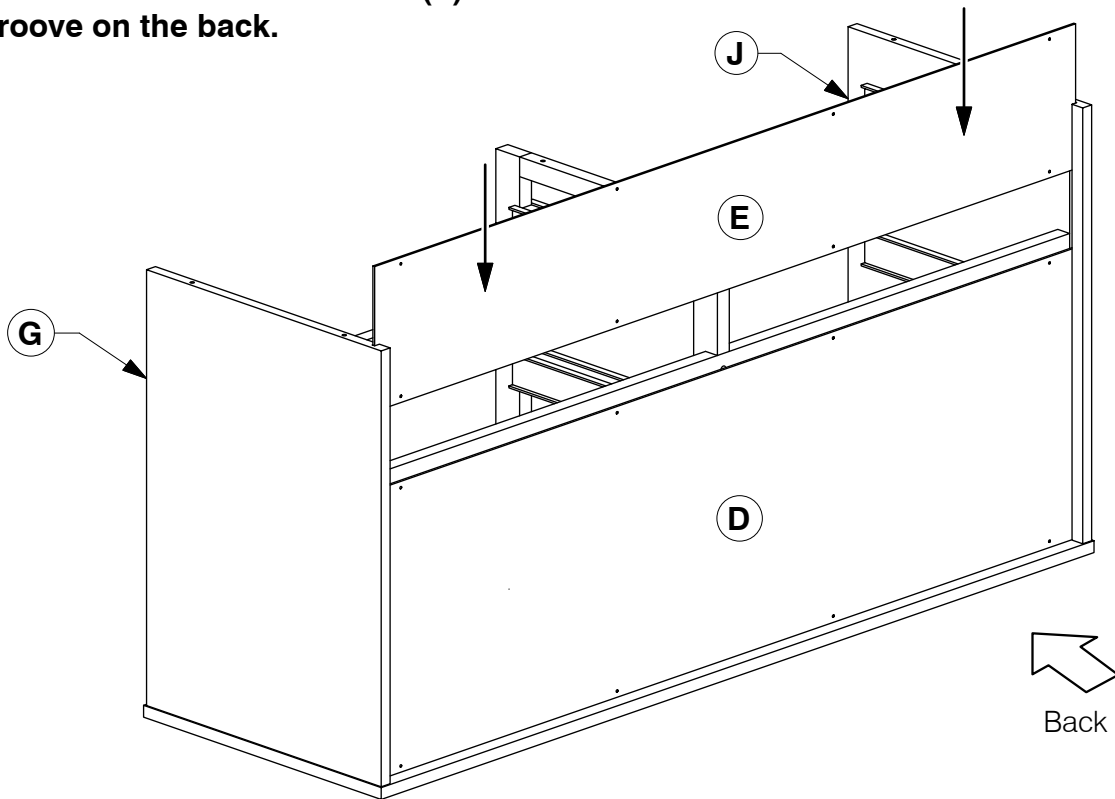


9001 6 Drawer Dresser

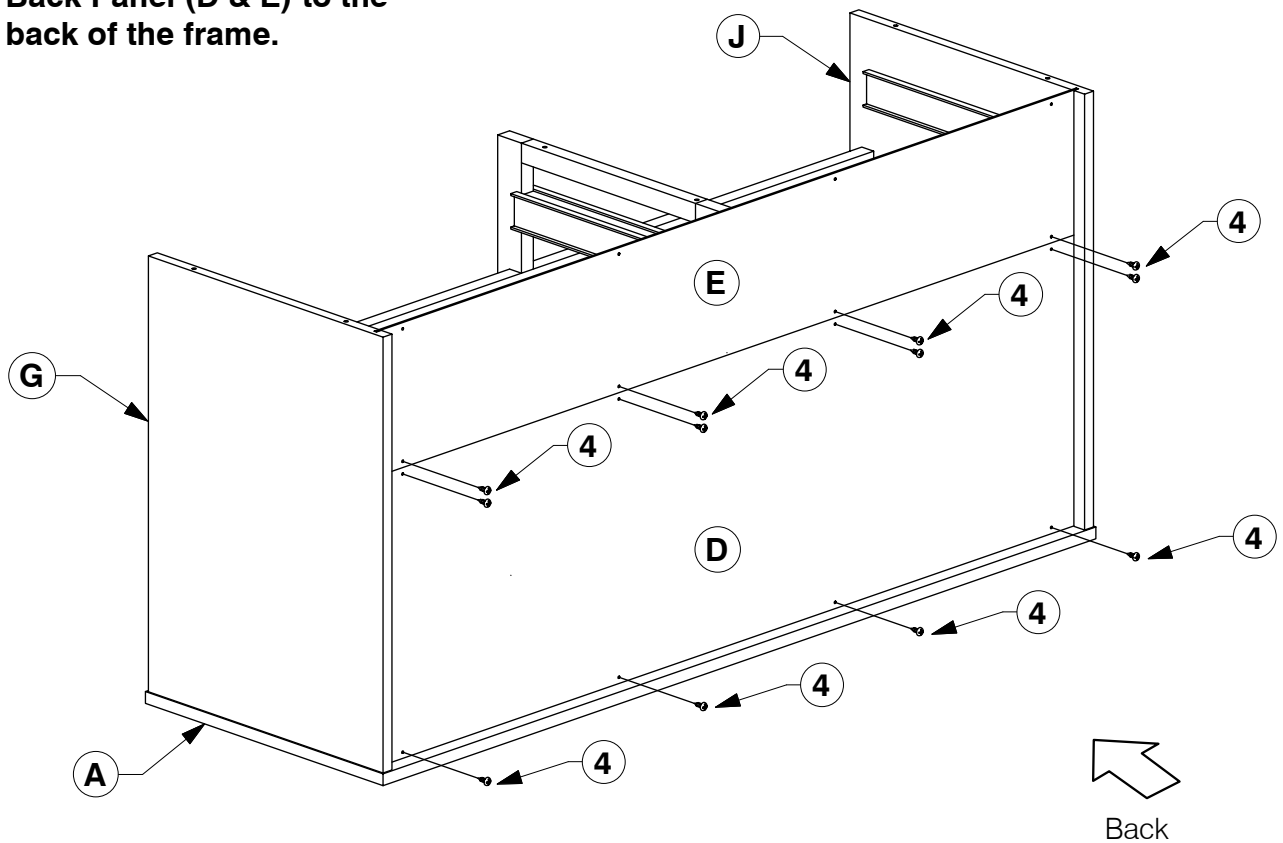
Assembly Instructions

WI-1220

- 12** Slide the Back Panel-Narrow (E) into the groove on the back.



- 13** Use screws to tighten the Back Panel (D & E) to the back of the frame.

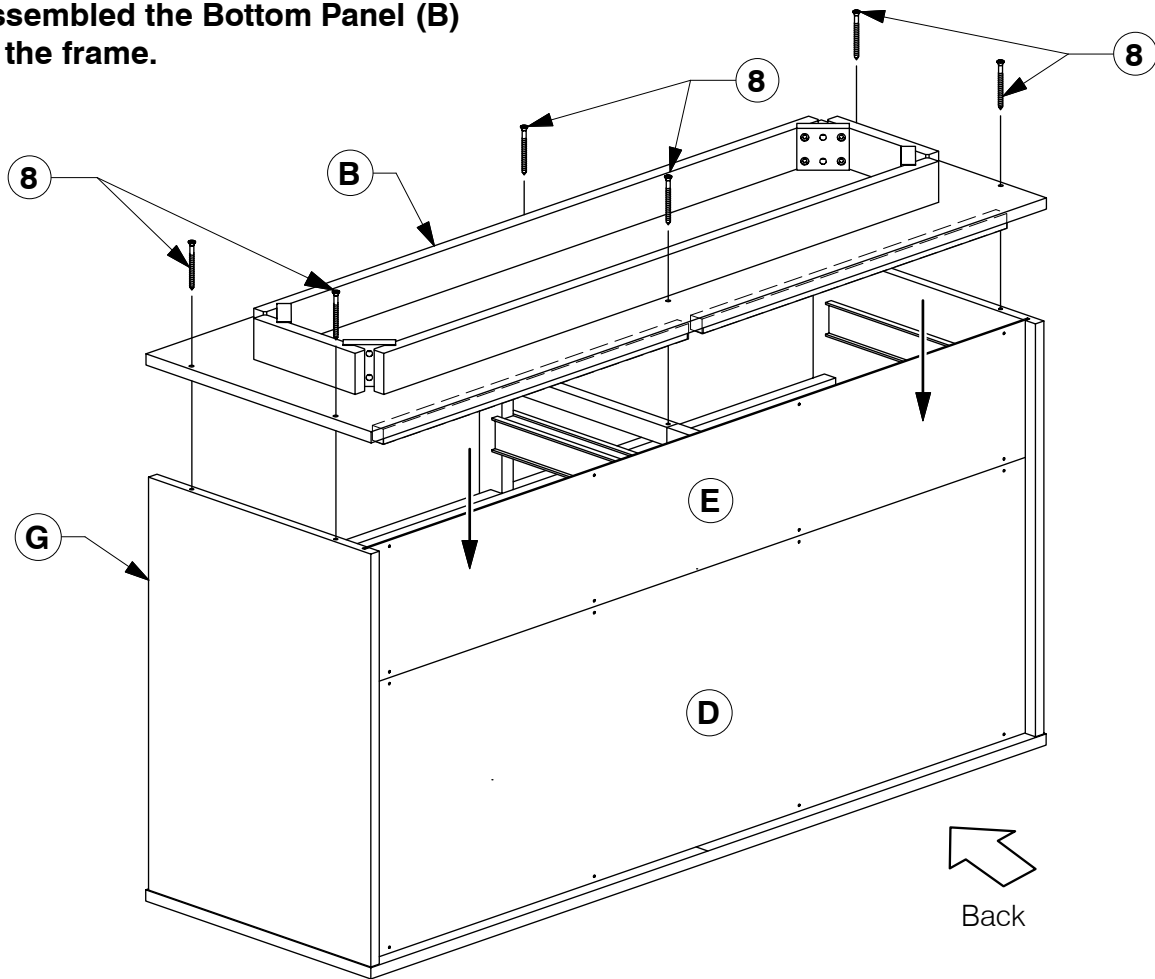


9001 6 Drawer Dresser

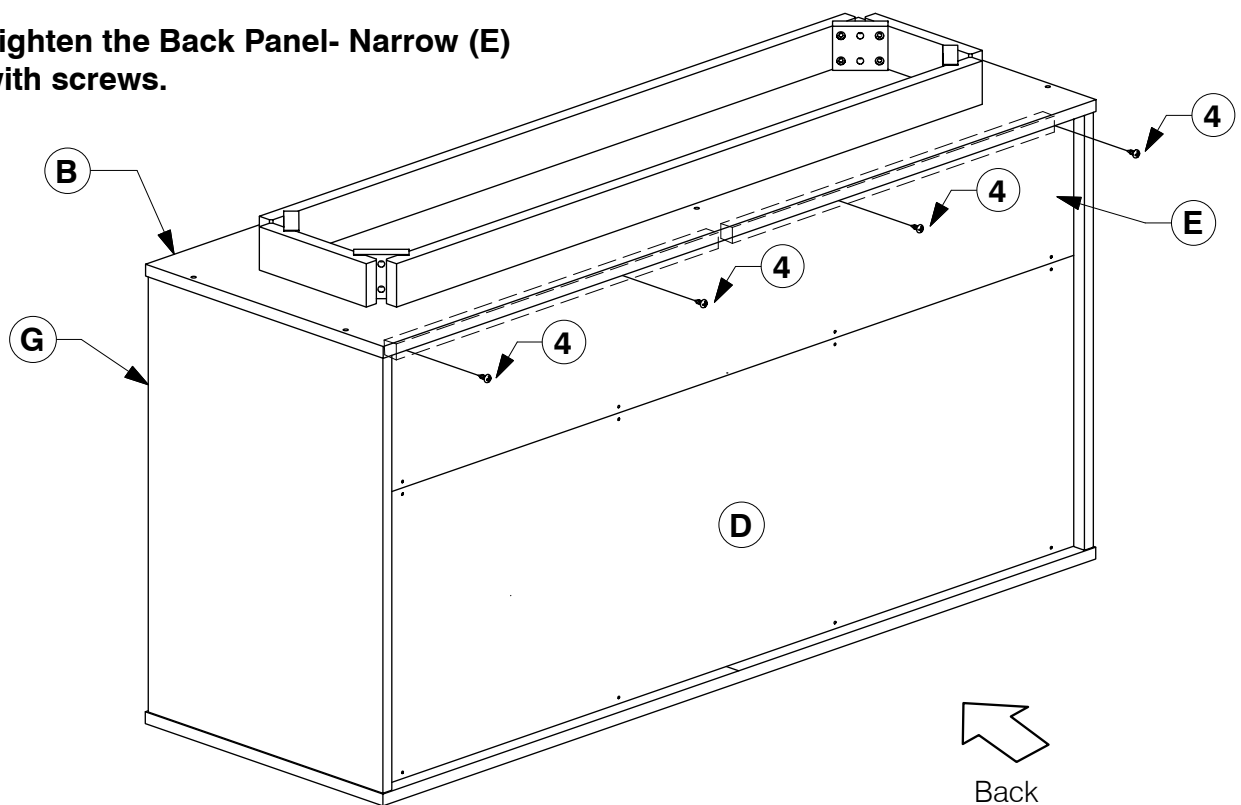
Assembly Instructions

WI-1220

- 14** Assembled the Bottom Panel (B) to the frame.



- 15** Tighten the Back Panel- Narrow (E) with screws.

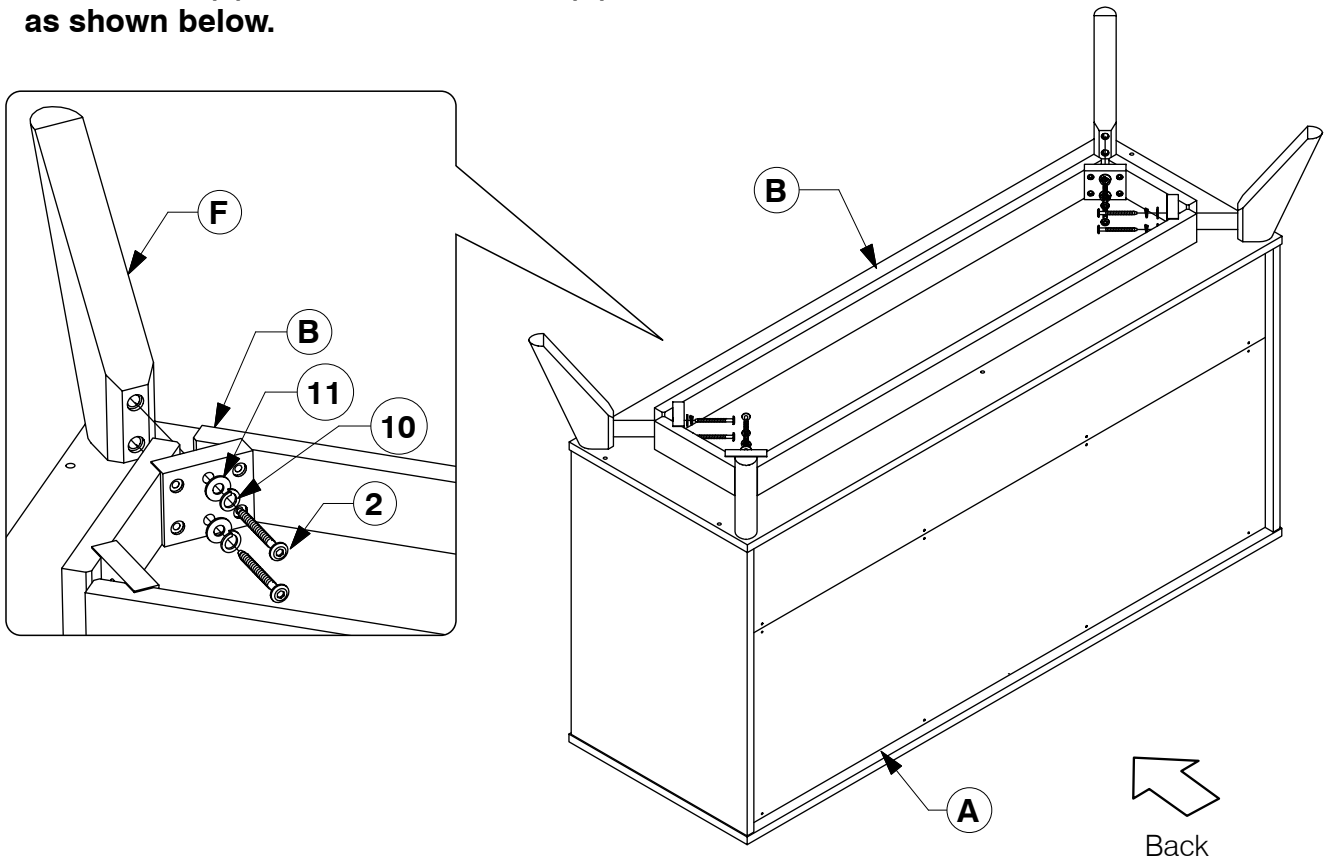


9001 6 Drawer Dresser

Assembly Instructions

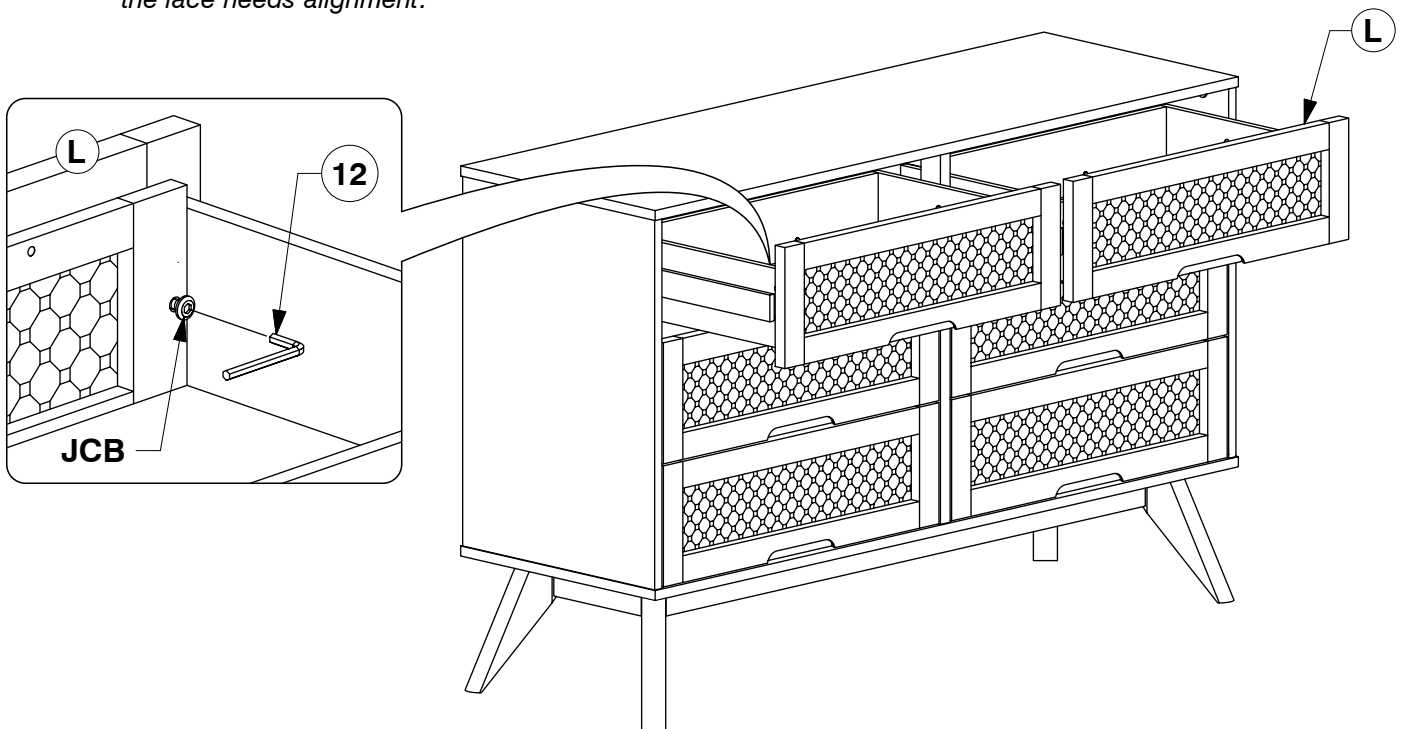
WI-1220

- 16** Fit the Post (F) to the Bottom Panel (B) as shown below.



- 17** Fit and adjust the Drawer Face (L).

* NOTE: Before fitting the Wood Screws.
Loosen the JCBs on the Drawer Face if
the face needs alignment.

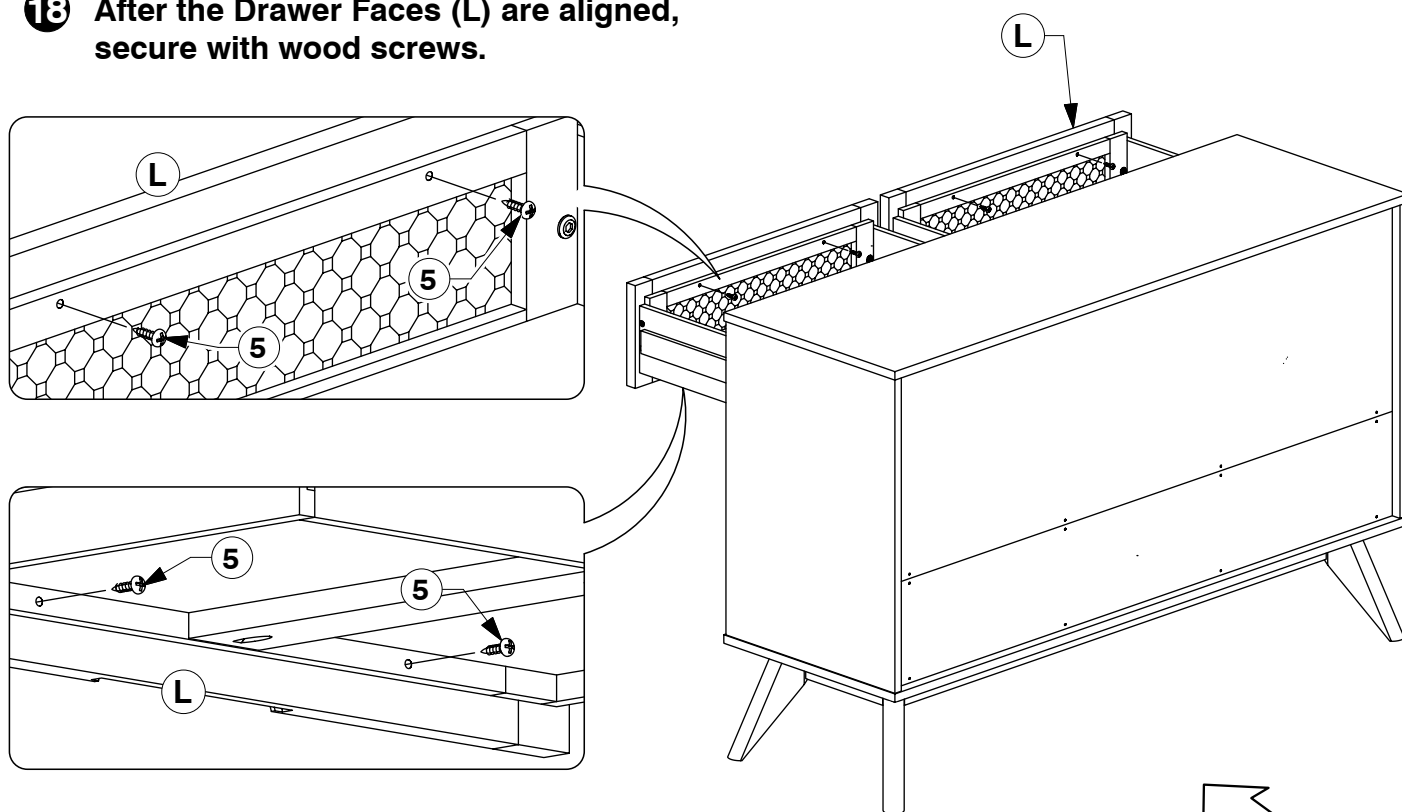


9001 6 Drawer Dresser

Assembly Instructions

WI-1220

- 18** After the Drawer Faces (L) are aligned, secure with wood screws.



Back