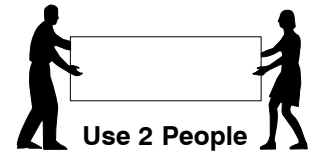
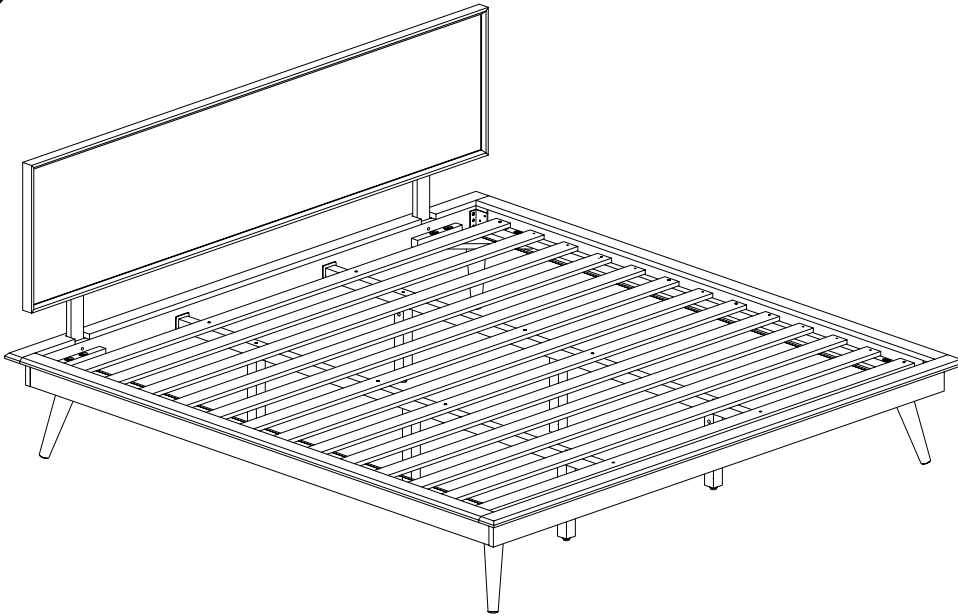


1 Assembled View



Note: Do not assemble using power tools. This can cause the bolts to be overtightened

2 Parts List

Parts in Box 1:



A

Headboard Panel x 1



B

Support Bar x 2

Parts in Box 2:



C

Headboard Panel x 1

Extra Holes



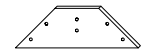
G

Support Leg x 6



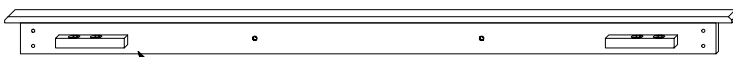
H

Post x 4



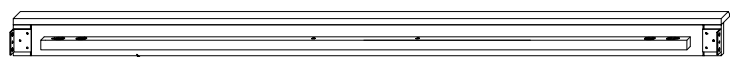
J

Support Panel x 4



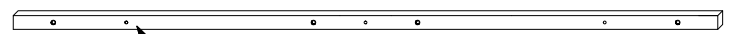
D

Footboard Panel x 1



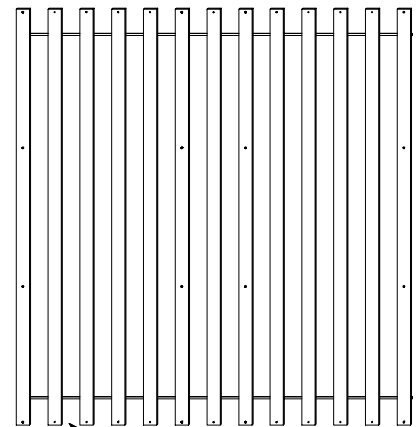
E

Side Rail x 2



F




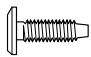
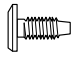
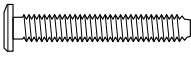



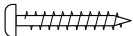


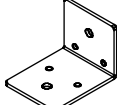
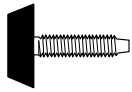
Long Support x 2



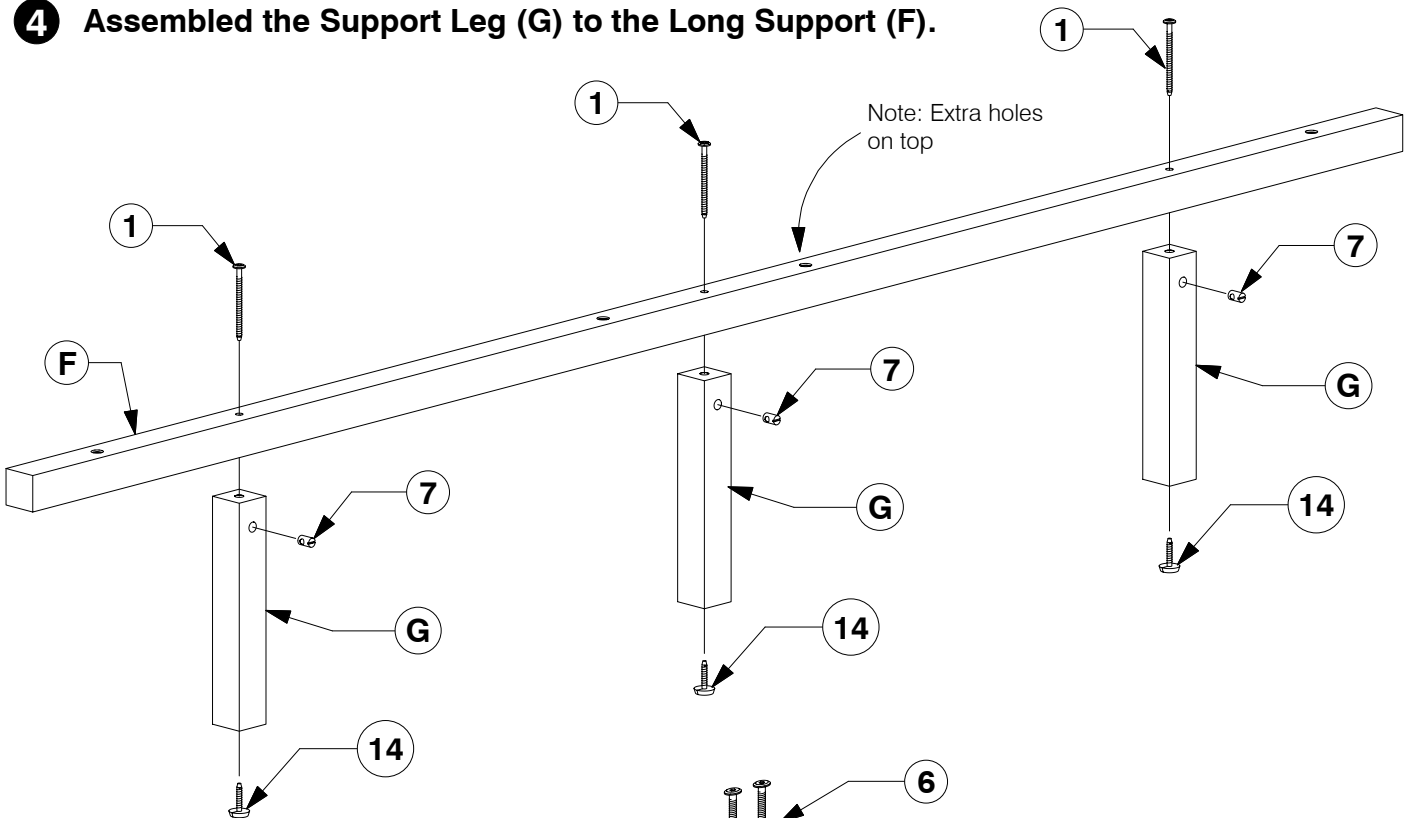
K

Set of Bed Slats x 1

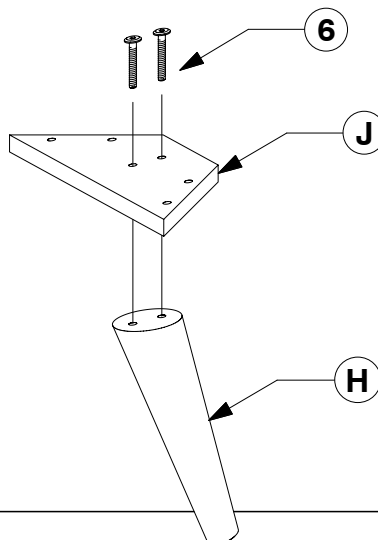
3 Hardware List

- | | | | |
|-----------------------------------------------------------------------------------------------------------------------------|-------------------------------------------------------------------------------------------------------------------------------|----------------------------------------------------------------------------------------------------------------------|-----------------------------------------------------------------------------------------------------------------------|
|  1 M6 x 90mm JCB x 6 |  2 M6 x 50mm JCB x 16 |  3 M6 x 40mm JCB x 26 |  4 M6 x 20mm JCB x 8 |
|  5 M6 x 15mm JCB x 8 |  6 M8 x 50mm JCB x 8 |  7 Barrel Nut x 6 |  8 Spring Washer x 34 |
|  9 Flat Washer x 34 |  10 Wood Screw (M4 x 32mm) x 18 |  11 M4 Allen Key x 1 |  12 M5 Allen Key x 1 |
|  13 Center Rail Bracket x 4 |  14 Adjustable Foot x 6 | | |

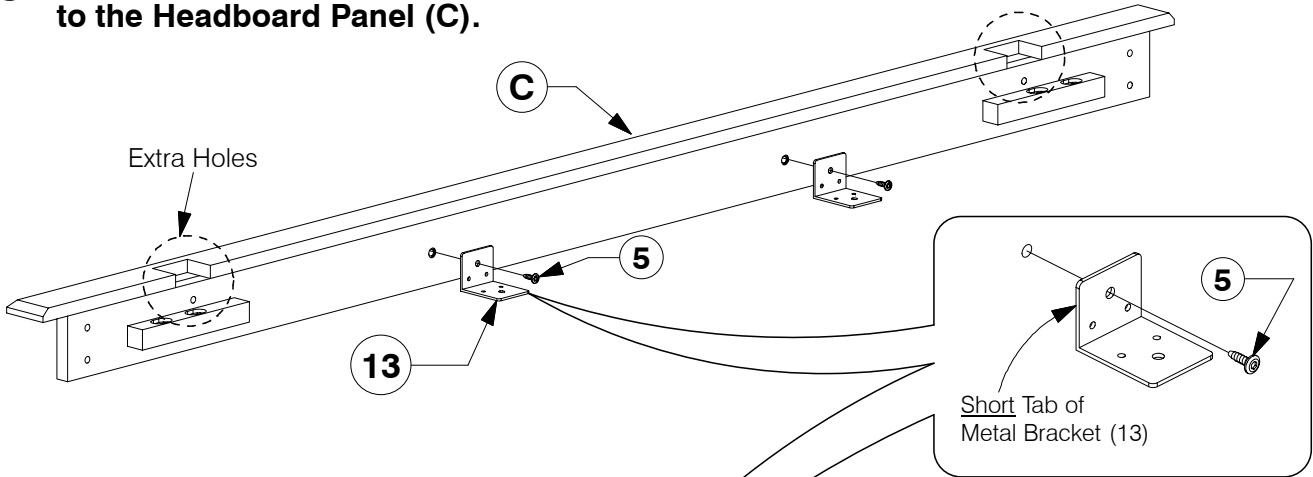
4 Assembled the Support Leg (G) to the Long Support (F).



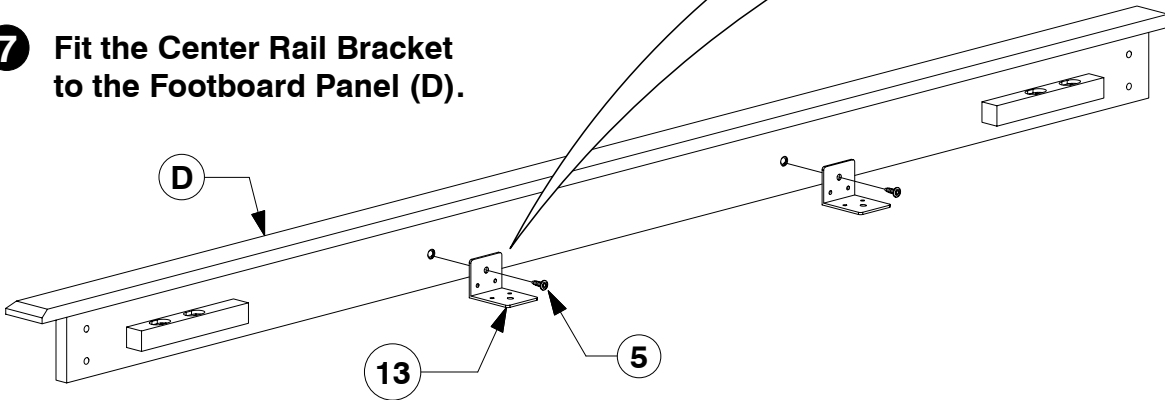
5 Fit the Post (H) to the Support Panel (J).



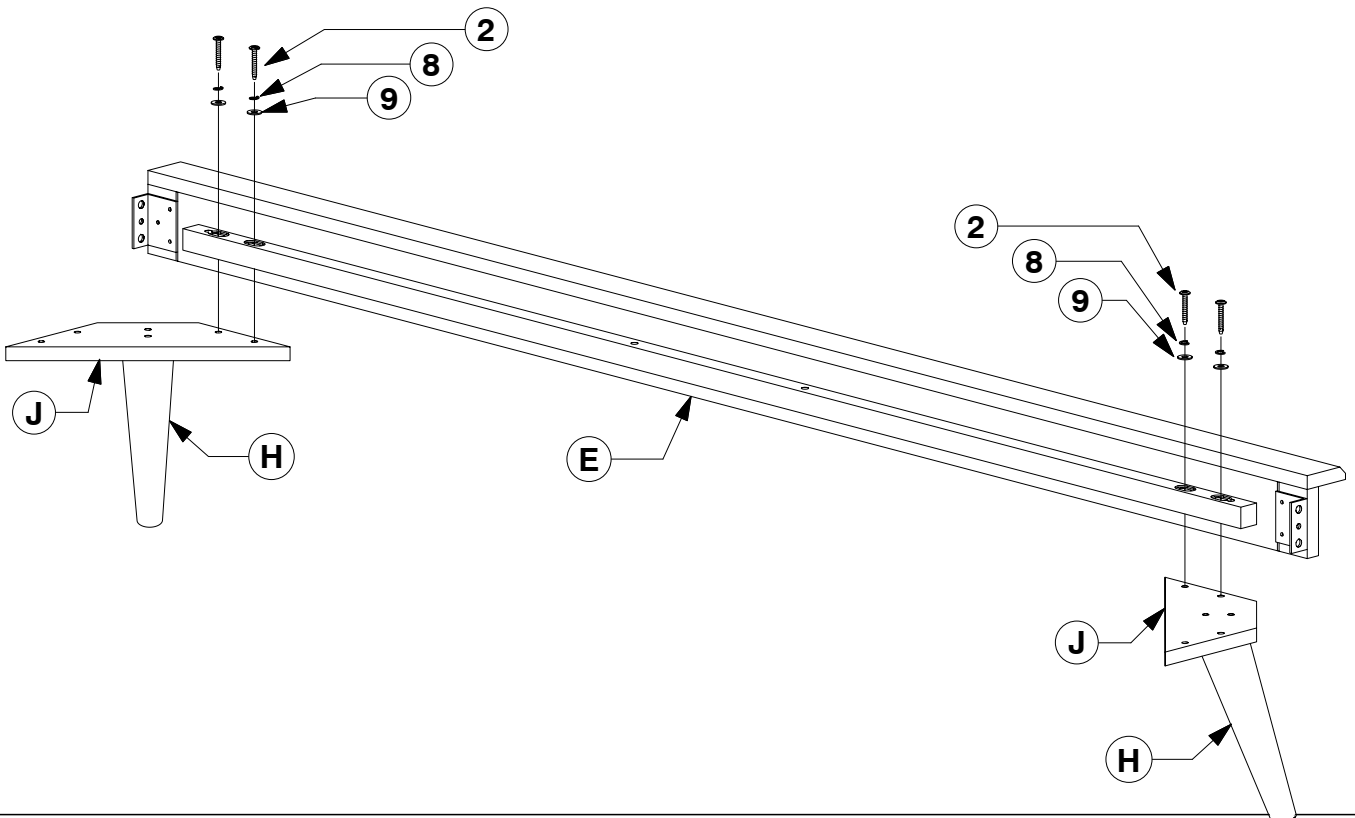
6 Fit the Center Rail Bracket to the Headboard Panel (C).



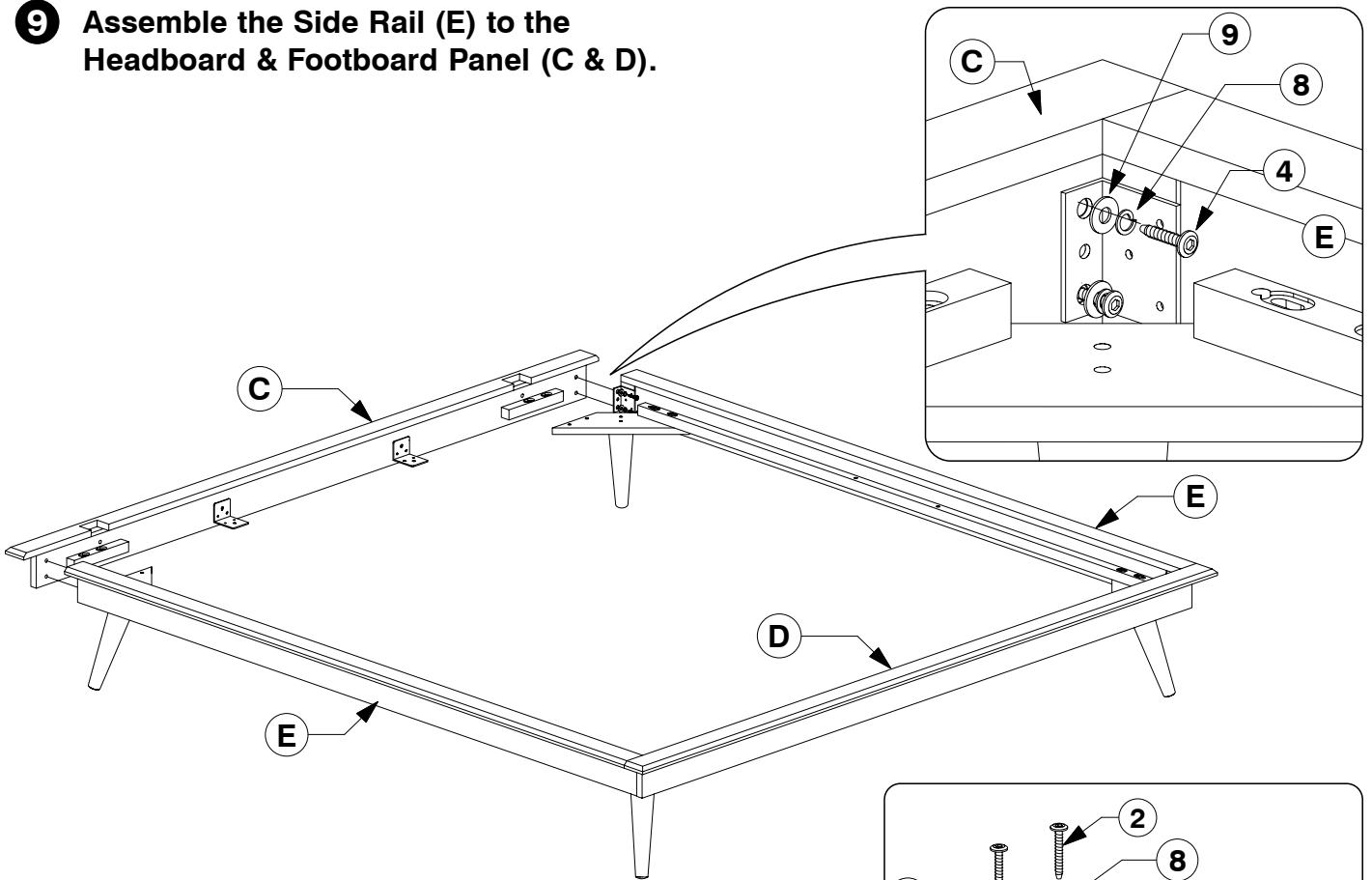
7 Fit the Center Rail Bracket to the Footboard Panel (D).



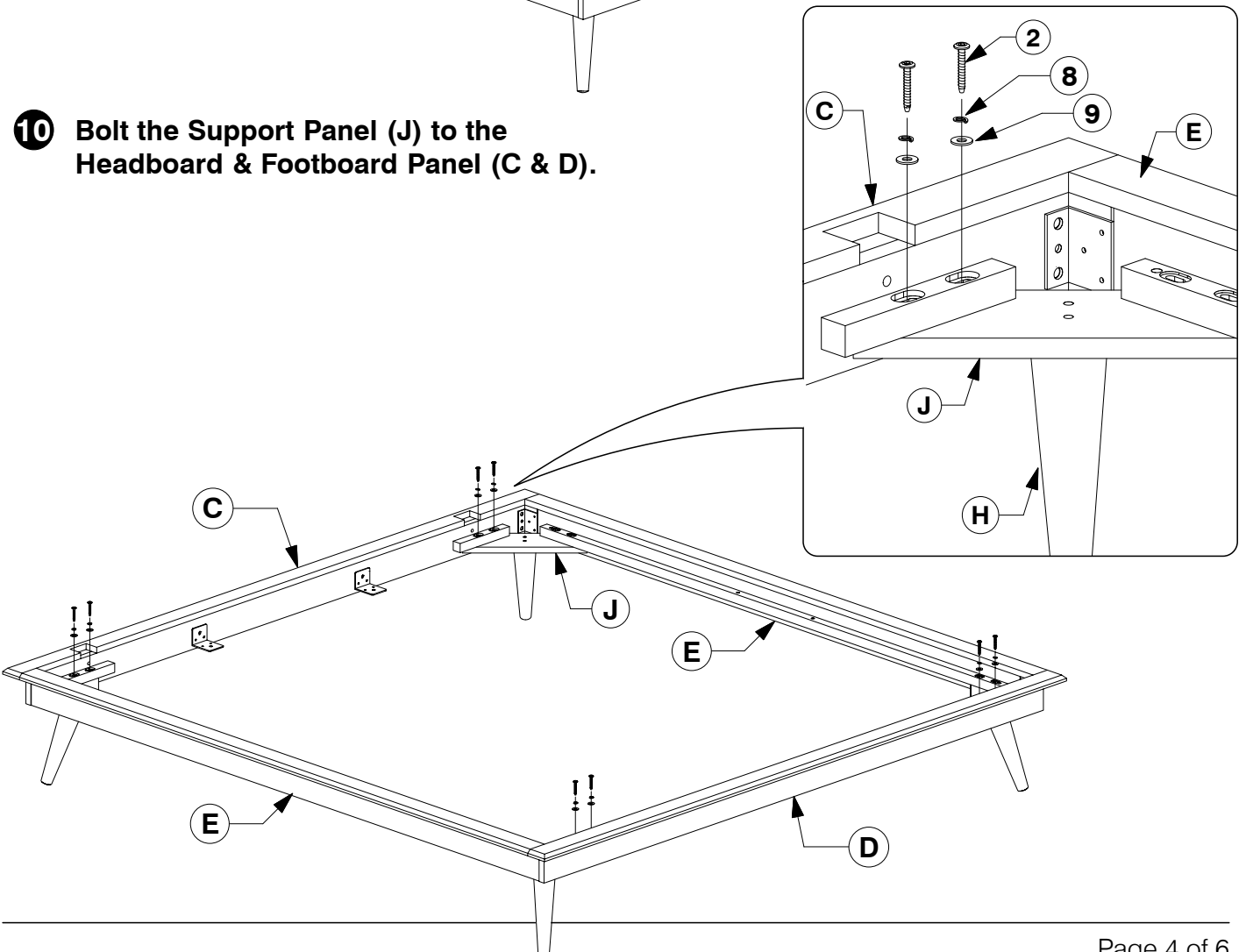
8 Bolt the Support Panel (H & J) to the Side Rail (E).



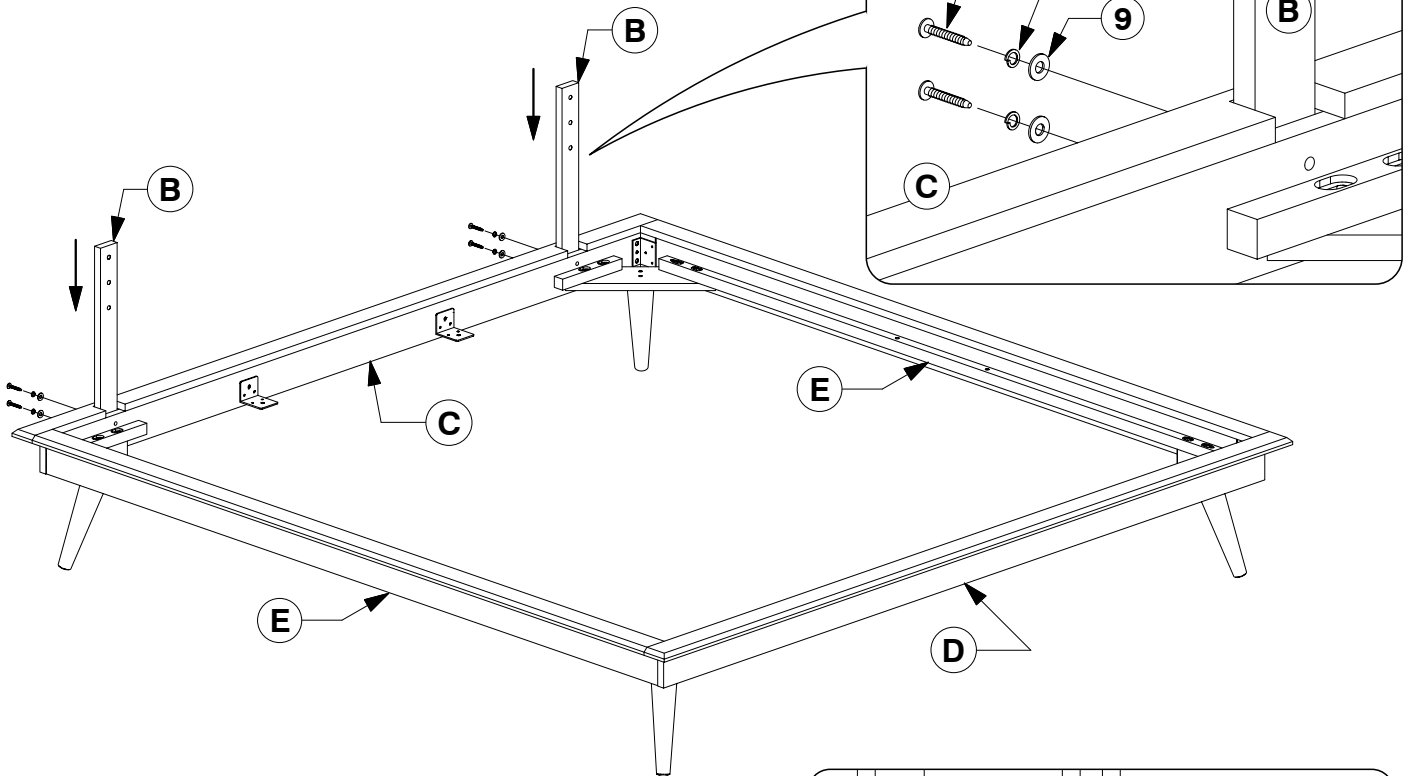
9 Assemble the Side Rail (E) to the Headboard & Footboard Panel (C & D).



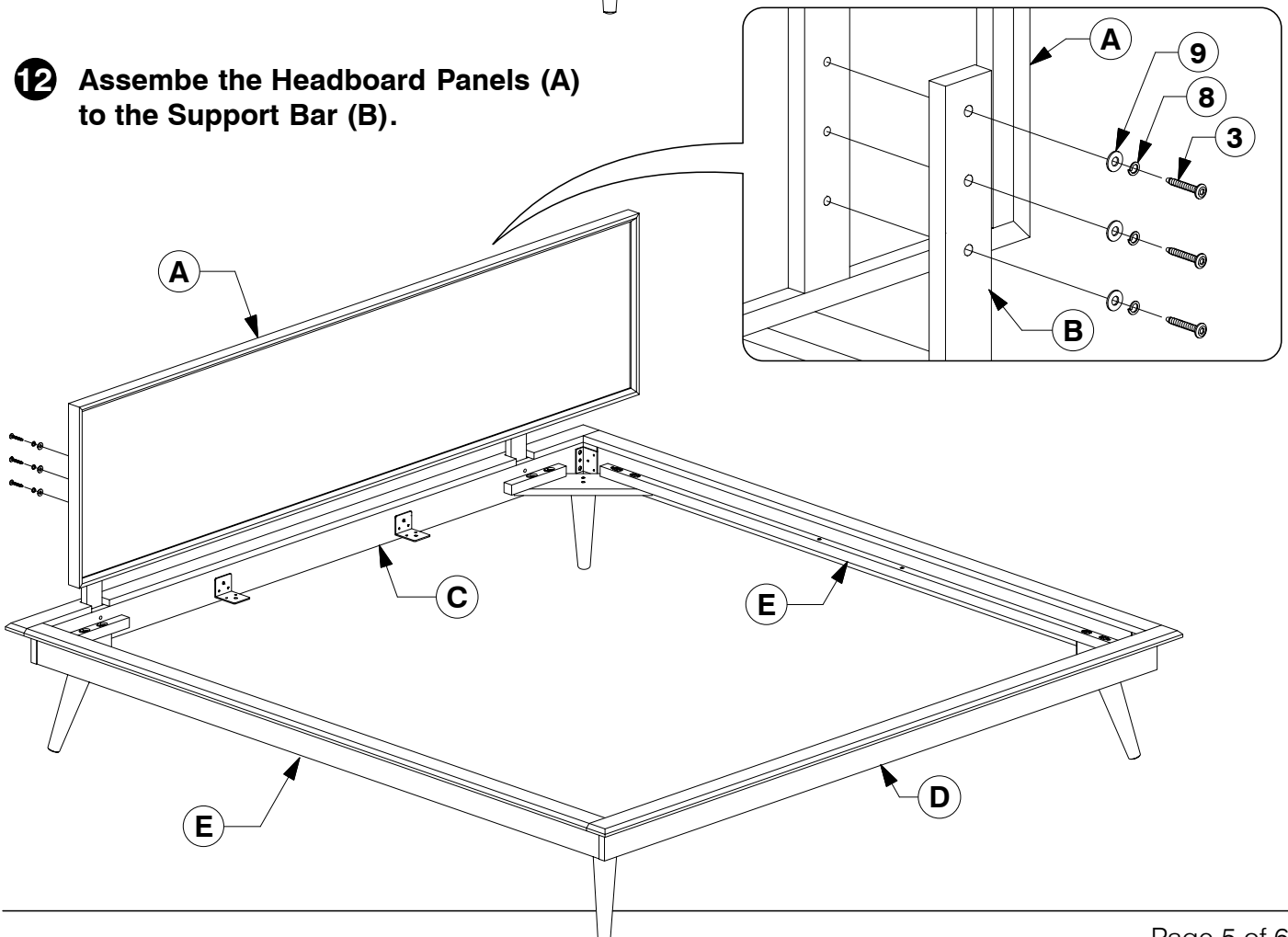
10 Bolt the Support Panel (J) to the Headboard & Footboard Panel (C & D).



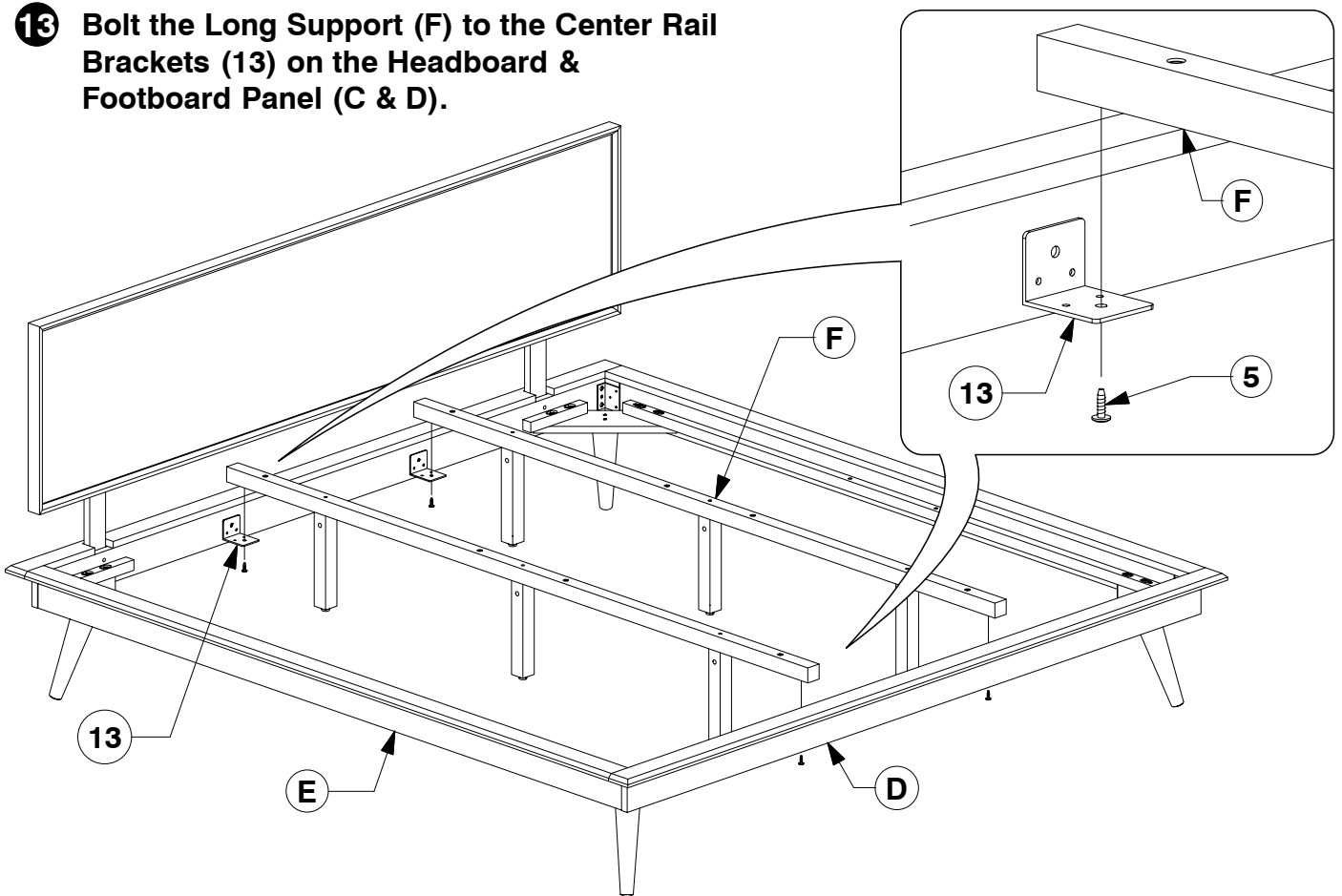
11 Assemble the Support Bar (B) to the Headboard Panel (C).



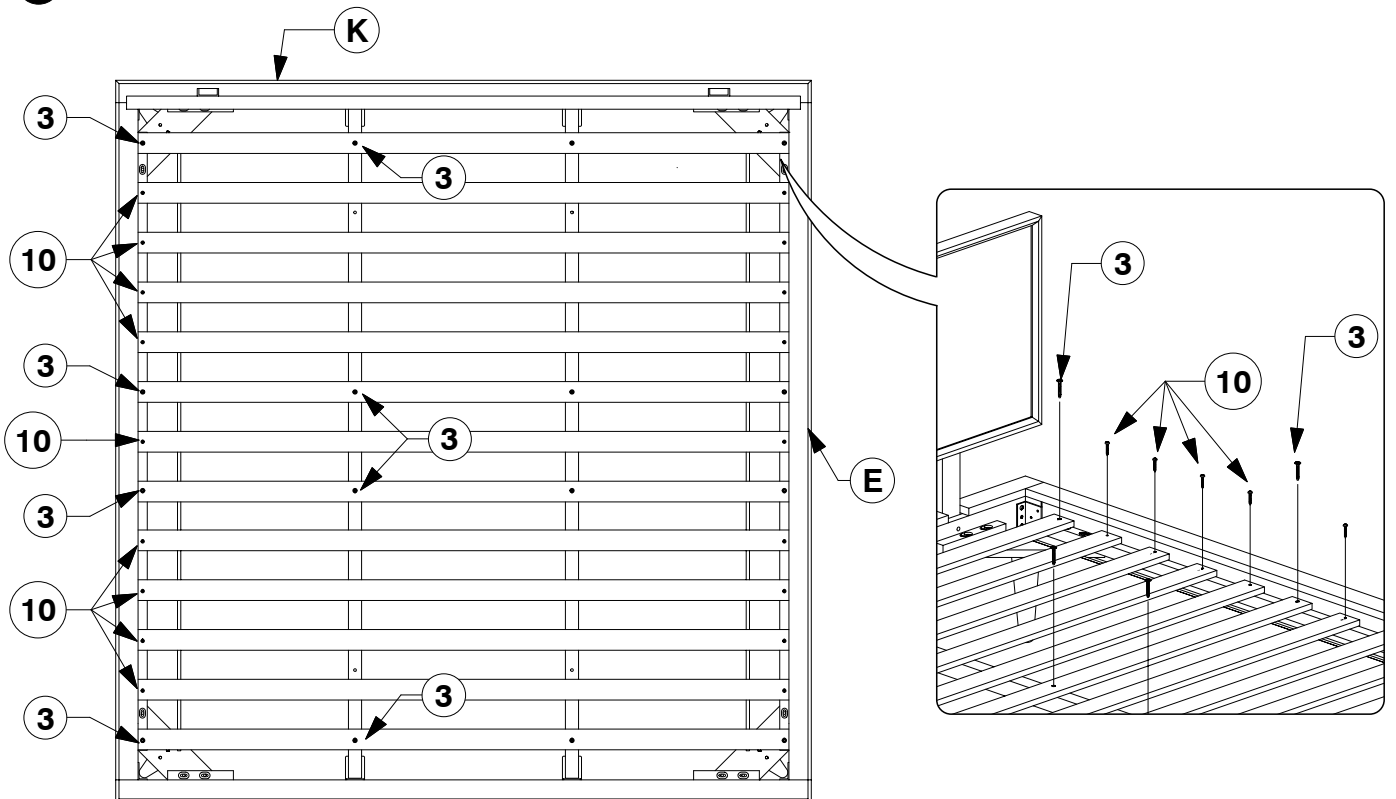
12 Assemble the Headboard Panels (A) to the Support Bar (B).



- 13** Bolt the Long Support (F) to the Center Rail Brackets (13) on the Headboard & Footboard Panel (C & D).



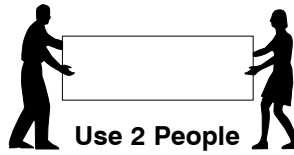
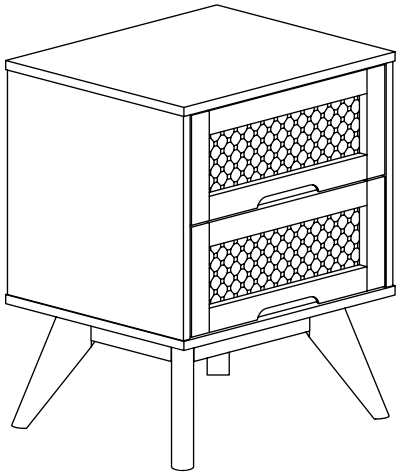
- 14** Bolt & screw the Bed Slats (K) to the Side Rail (E).



9001 2 Drawer Nightstand

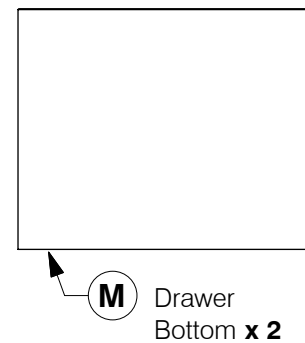
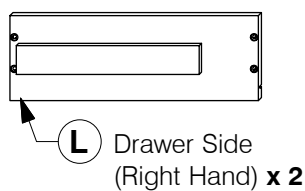
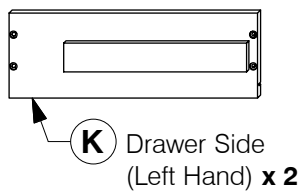
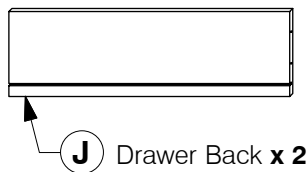
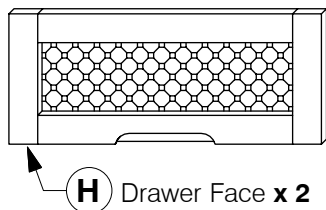
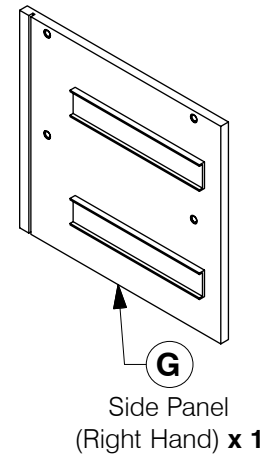
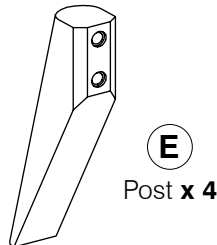
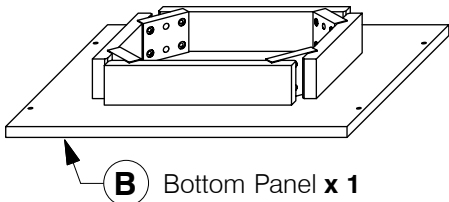
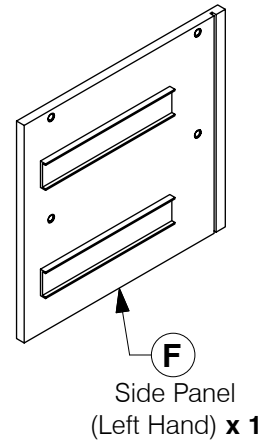
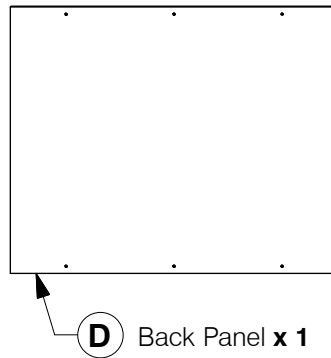
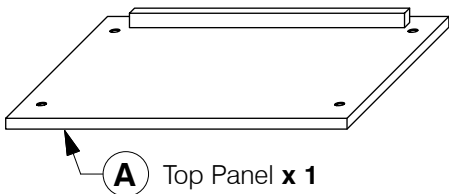
Assembly Instructions

WI-1220



Note: Do not assemble using power tools. This can cause the bolts to be overtightened

1 Parts List



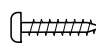
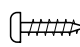

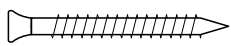






9001 2 Drawer Nightstand

Assembly Instructions

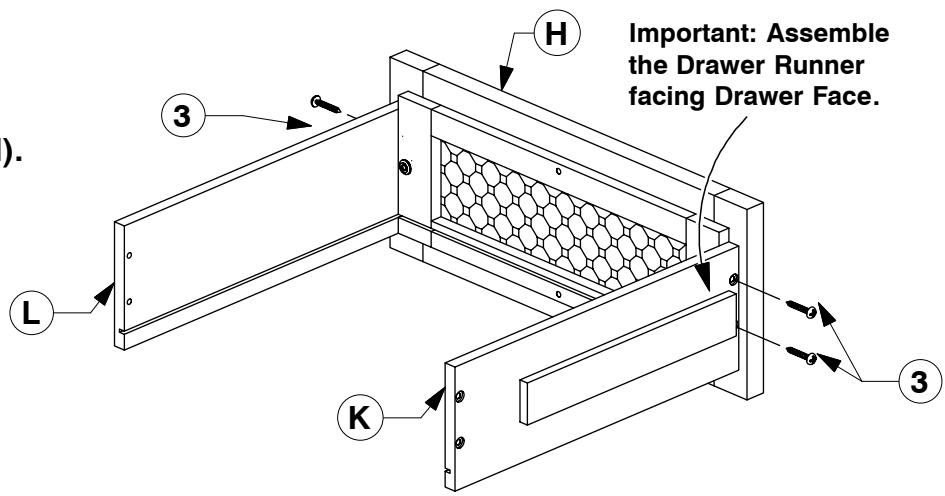
WI-1220

2 Hardware List

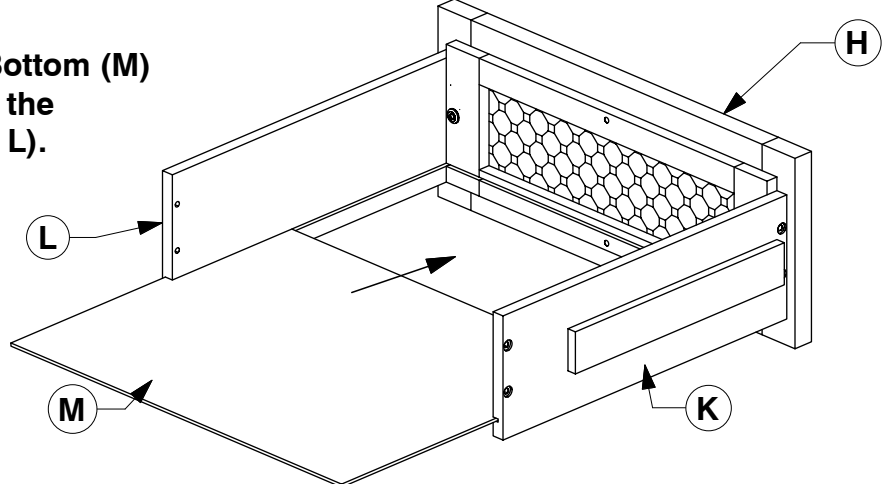
- | | | | | |
|------------------------------------------------------------------------------------------------------------------------------|-------------------------------------------------------------------------------------------------------------|---------------------------------------------------------------------------------------------------------------------|----------------------------------------------------------------------------------------------------------------------|----------------------------------------------------------------------------------------------------------------------|
|  ① M6 x 15mm JCB x 16 |  ② M6 x 60mm JCB x 8 |  ③ M4 x 25mm Wood Screw x 16 |  ④ M4 x 20mm Wood Screw x 4 |  ⑤ M4 x 16mm Wood Screw x 6 |
|  ⑥ CSK Cap Wood Screw (M6 x 50mm) x 4 |  ⑦ Spring Washer x 8 |  ⑧ Flat Washer x 8 |  ⑨ 'L' Bracket (5005-3) x 8 |  ⑩ Allen Key x 1 |

3 Assemble the Drawer Sides (K & L) to the Drawer Face (H).

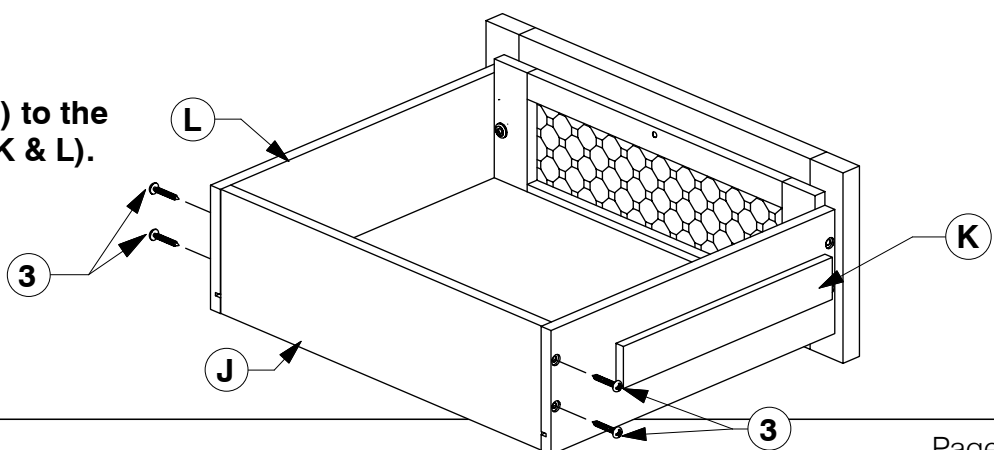
x2



4 Slide the Drawer Bottom (M) into the groove on the Drawer Sides (K & L).



5 Assemble the Drawer Back (J) to the Drawer Sides (K & L).

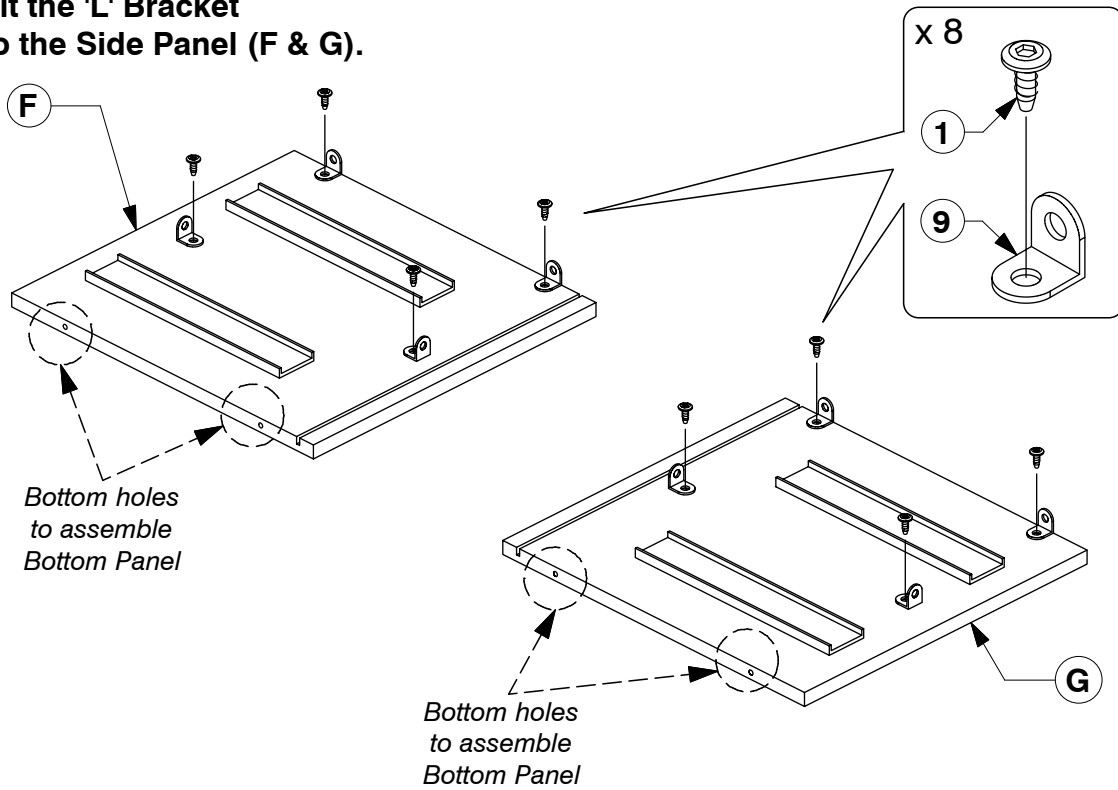


9001 2 Drawer Nightstand

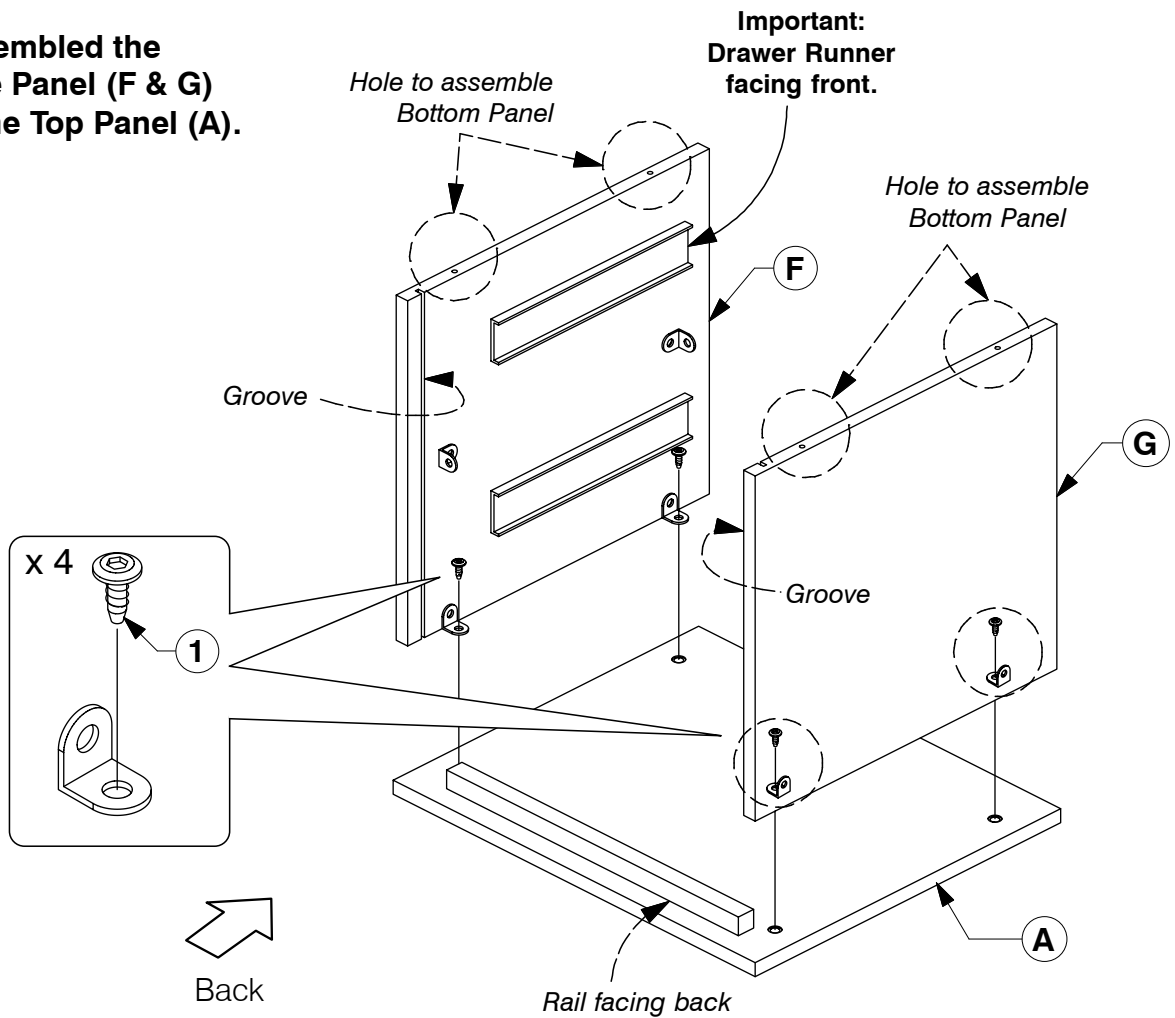
Assembly Instructions

WI-1220

6 Fit the 'L' Bracket to the Side Panel (F & G).



7 Assembled the Side Panel (F & G) to the Top Panel (A).

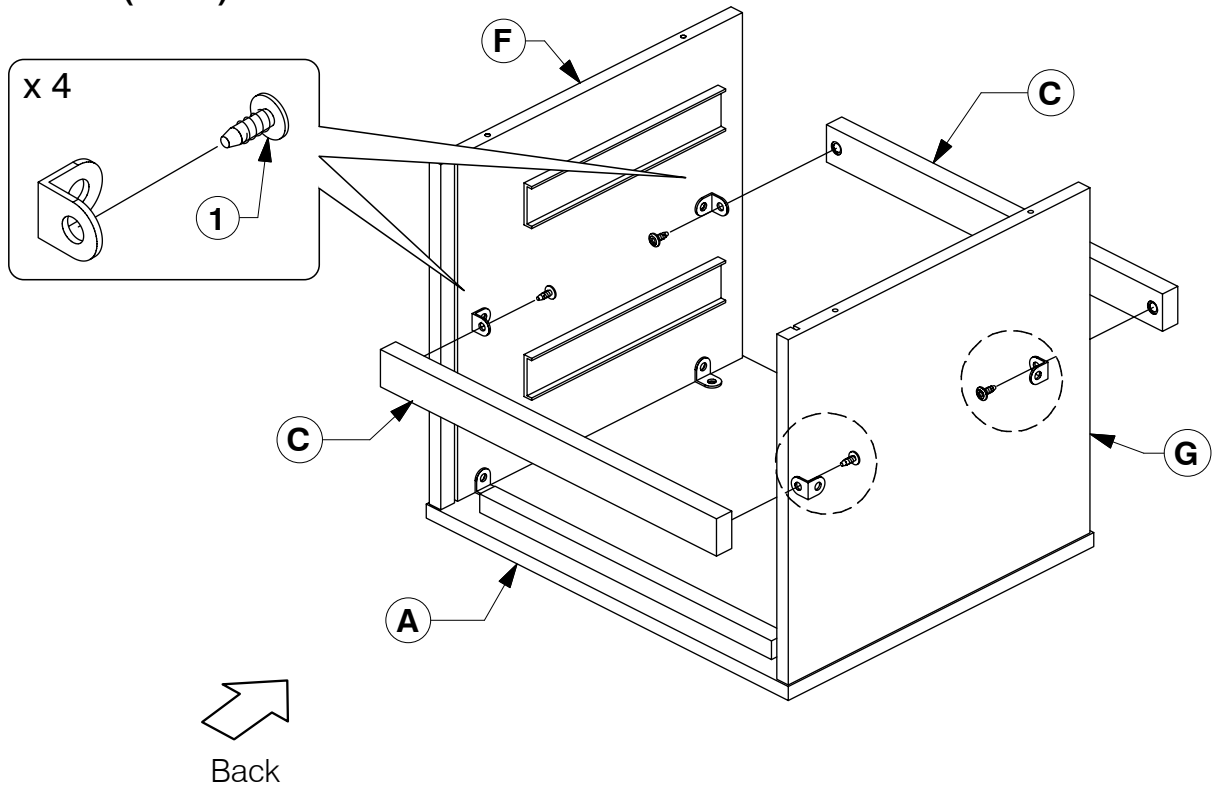


9001 2 Drawer Nightstand

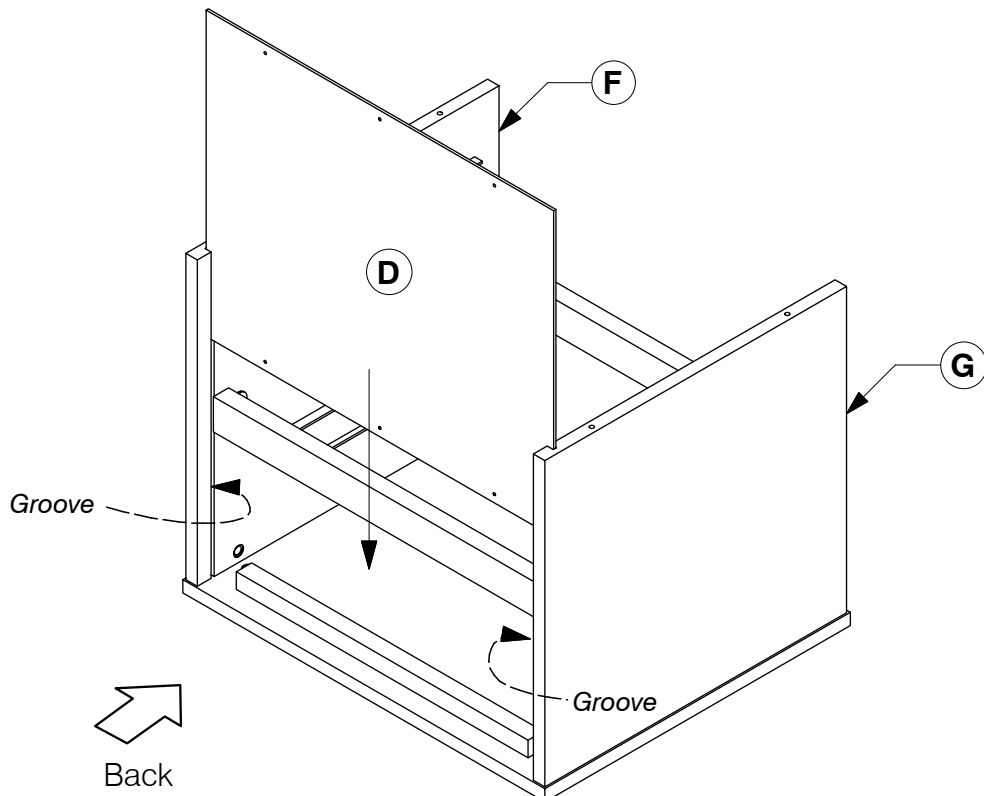
Assembly Instructions

WI-1220

- 8** Fit the Support Bar (C) to the Side Panel (F & G).



- 9** Slide the Back Panel (D) into the groove on the back of the Side Panel (F & G).

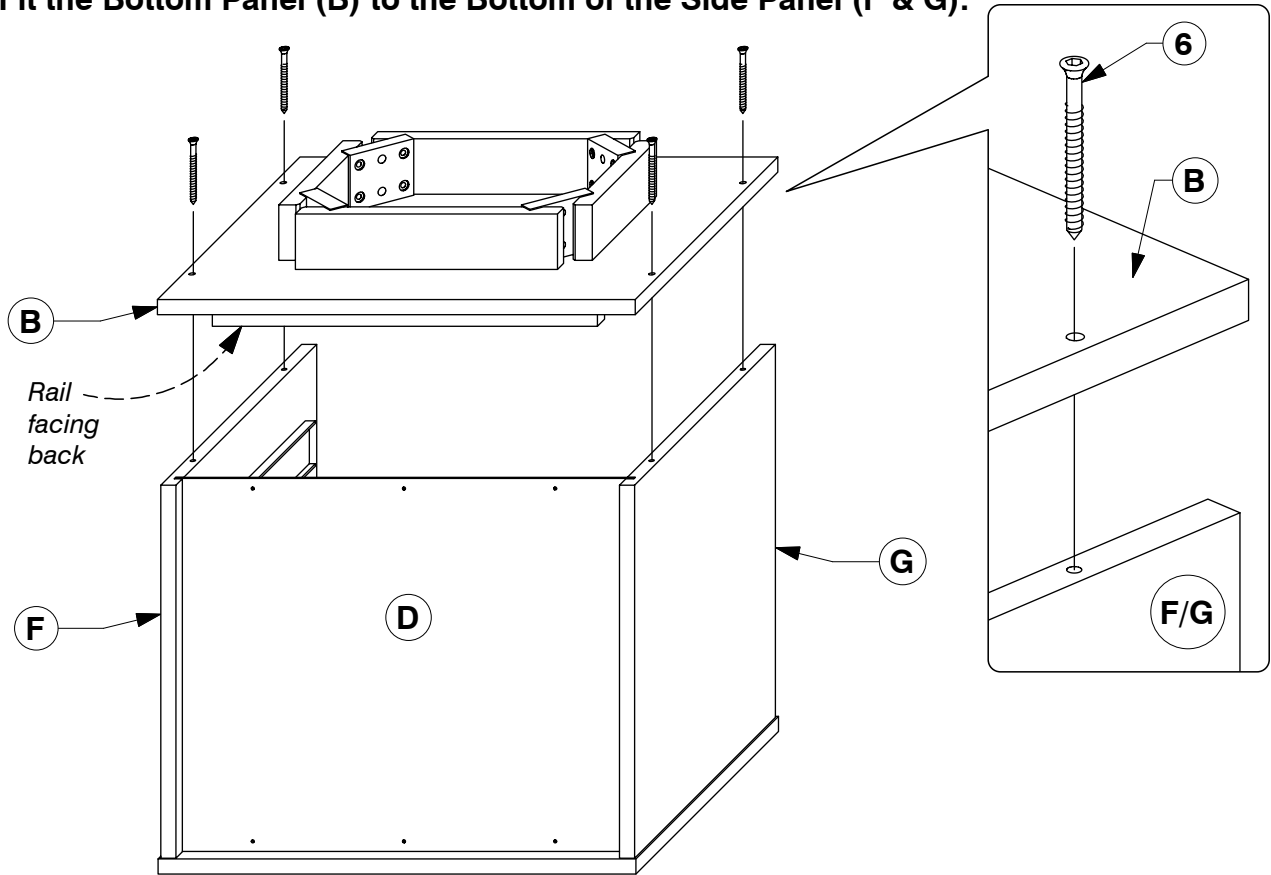


9001 2 Drawer Nightstand

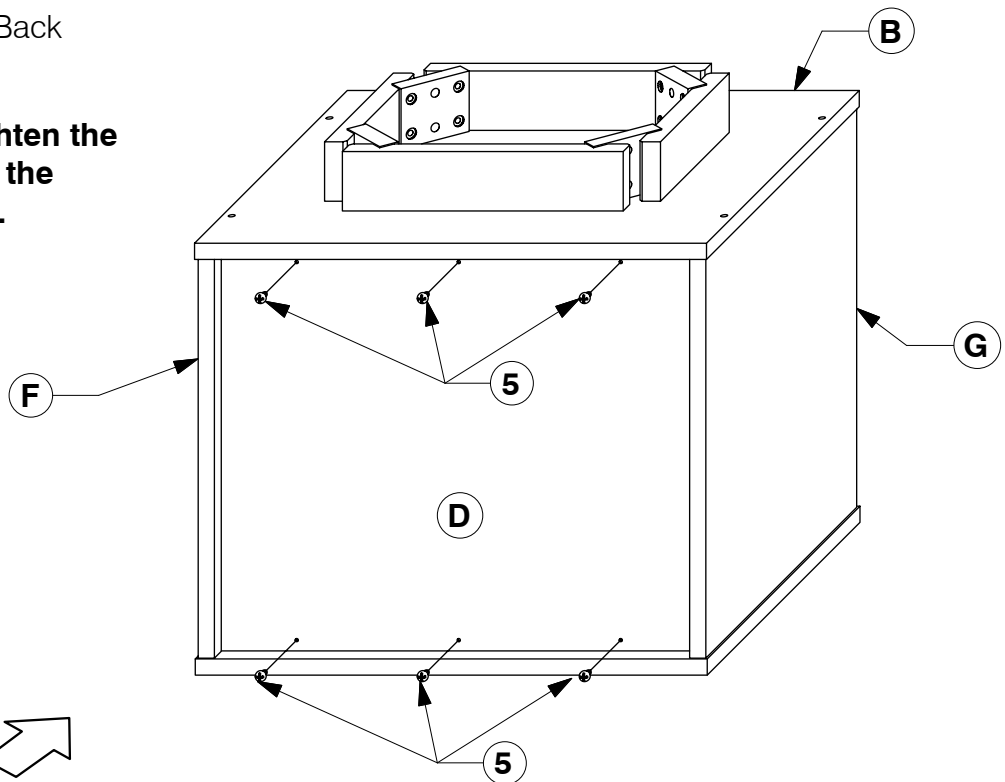
Assembly Instructions

WI-1220

- 10** Fit the Bottom Panel (B) to the Bottom of the Side Panel (F & G).



- 11** Use screws to tighten the Back Panel (D) to the back of the frame.

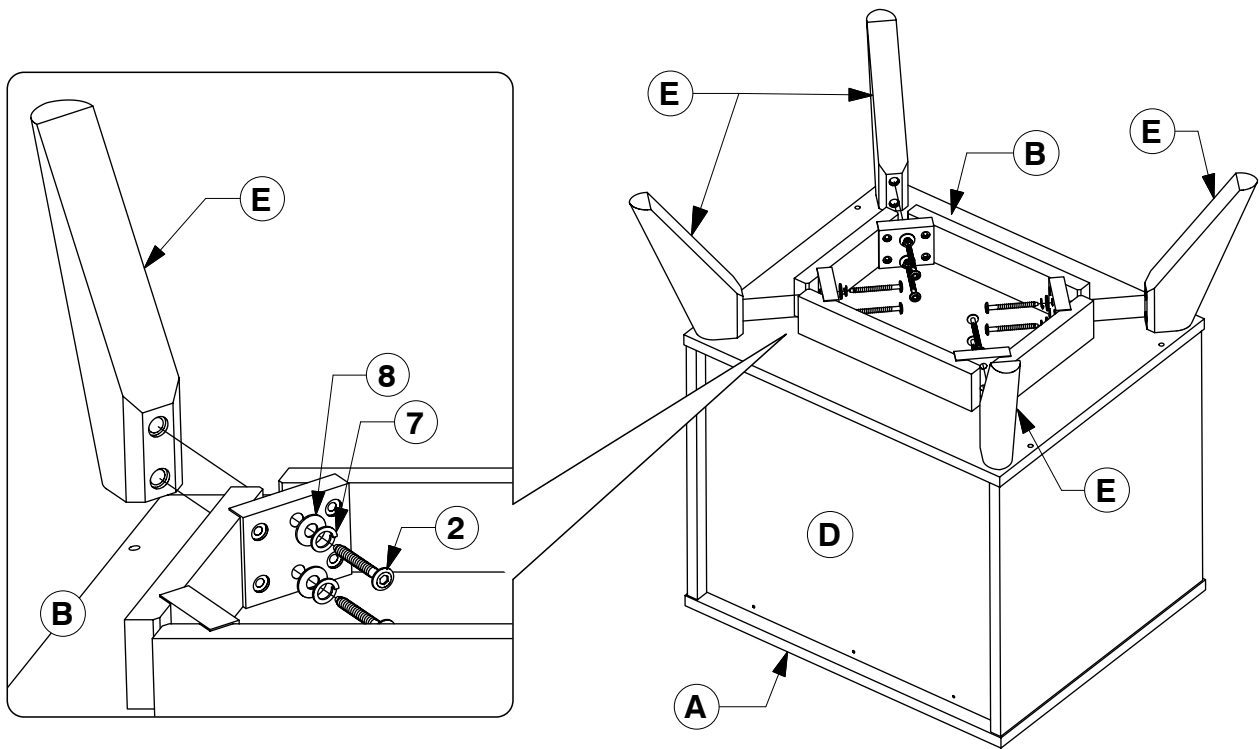


9001 2 Drawer Nightstand

Assembly Instructions

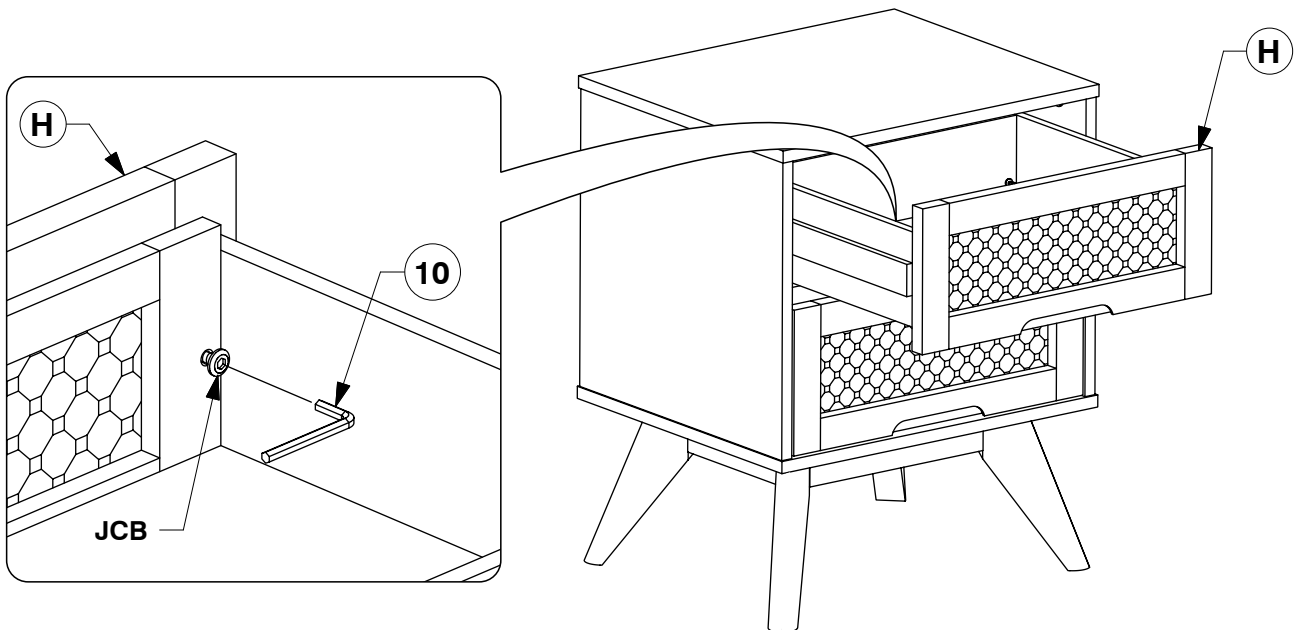
WI-1220

12 Fit the Post (E) to the Bottom Panel (B).



13 Fit and adjust the Drawer Face (H).

* NOTE: Before fitting the Wood Screws.
Loosen the JCBs on the Drawer Face if
the face needs alignment.

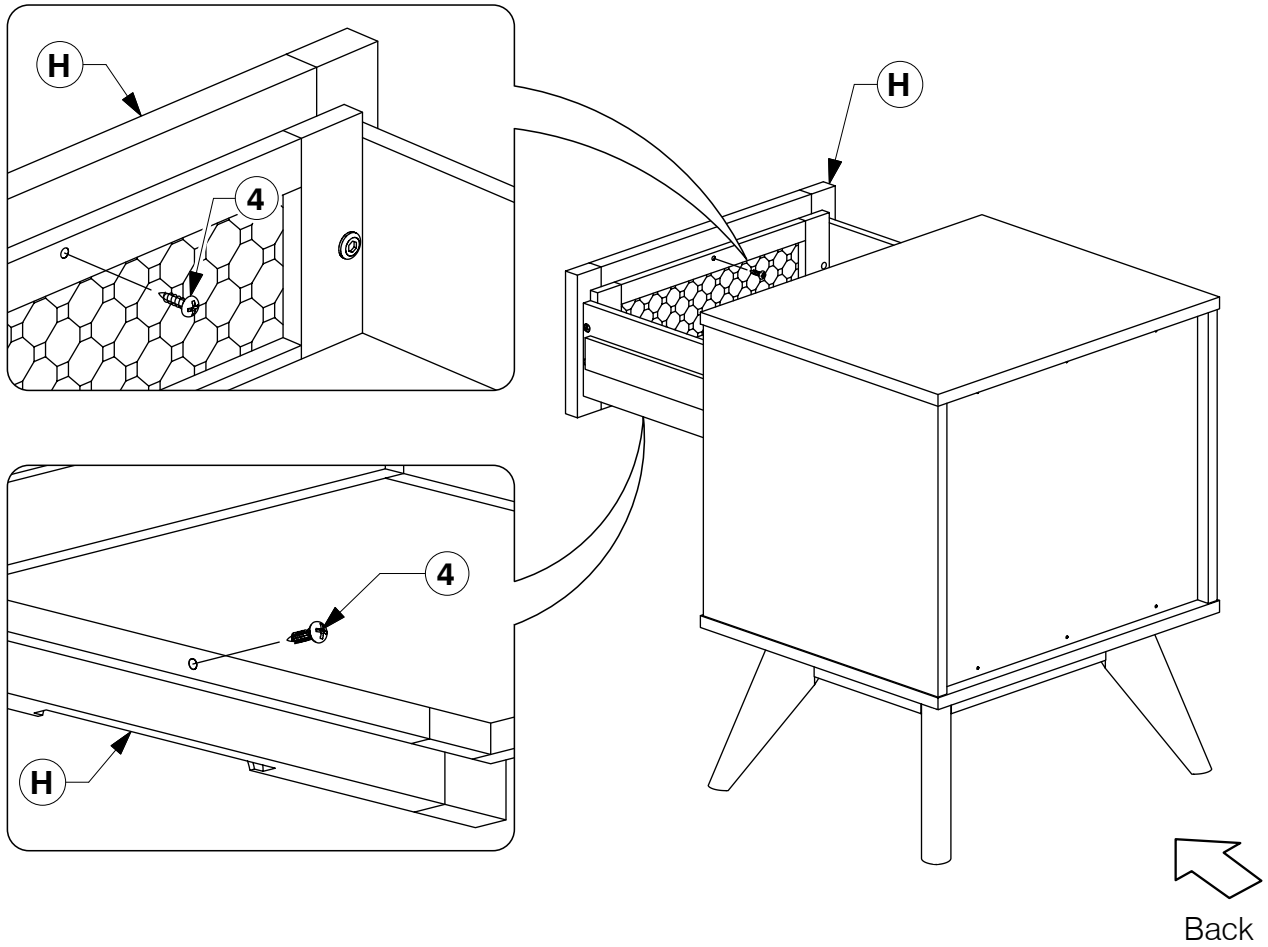


9001 2 Drawer Nightstand

Assembly Instructions

WI-1220

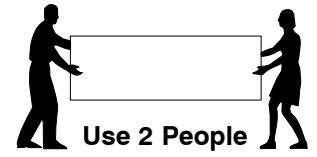
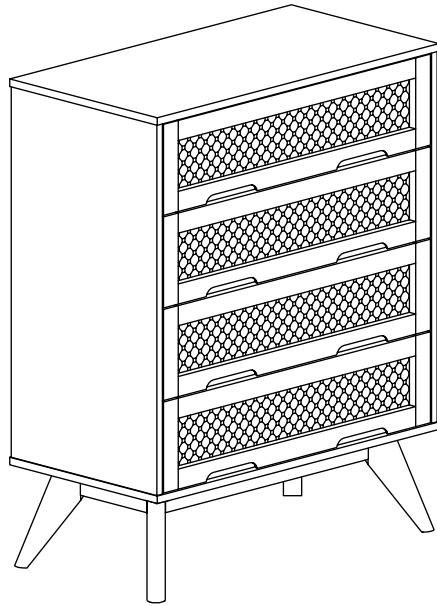
- 14** After the Drawer Faces (H) are aligned, secure with wood screws.



9001 4 Drawer Chest

Assembly Instructions

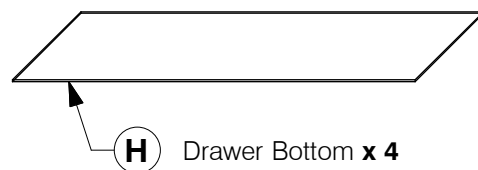
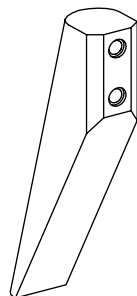
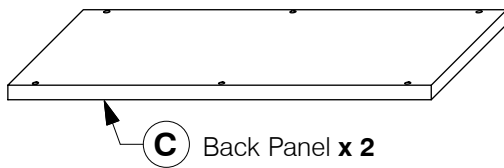
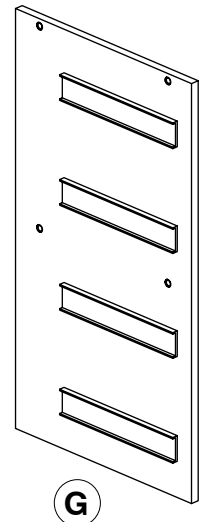
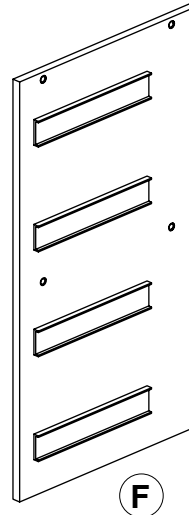
WI-1220



Note: Do not assemble using power tools. This can cause the bolts to be overtightened

1 Parts List

Parts in Box A:



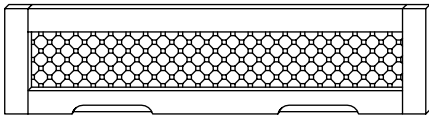
9001 4 Drawer Chest

Assembly Instructions

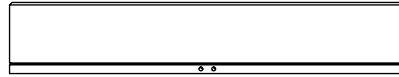
WI-1220

1 Parts List

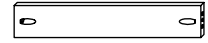
Parts in Box B:



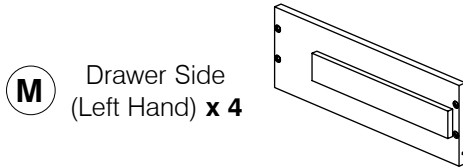
J Drawer Face x 4



K Drawer Back x 4



L Drawer Rail x 4



M Drawer Side (Left Hand) x 4



N Drawer Side (Right Hand) x 4

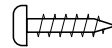
2 Hardware List



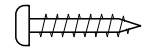
1 M6 x 15mm JCB x 16



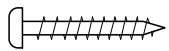
2 M6 x 60mm JCB x 8



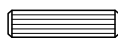
3 M4 x 20mm Wood Screw x 16



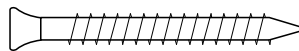
4 M4 x 25mm Wood Screw x 40



5 M4 x 32mm Wood Screw x 12



6 M6 x 25mm Wood Dowel x 16



7 CSK Cap Wood Screw (M6 x 50mm) x 4



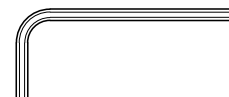
8 'L' Bracket (5005-3) x 8



9 Spring Washer x 8



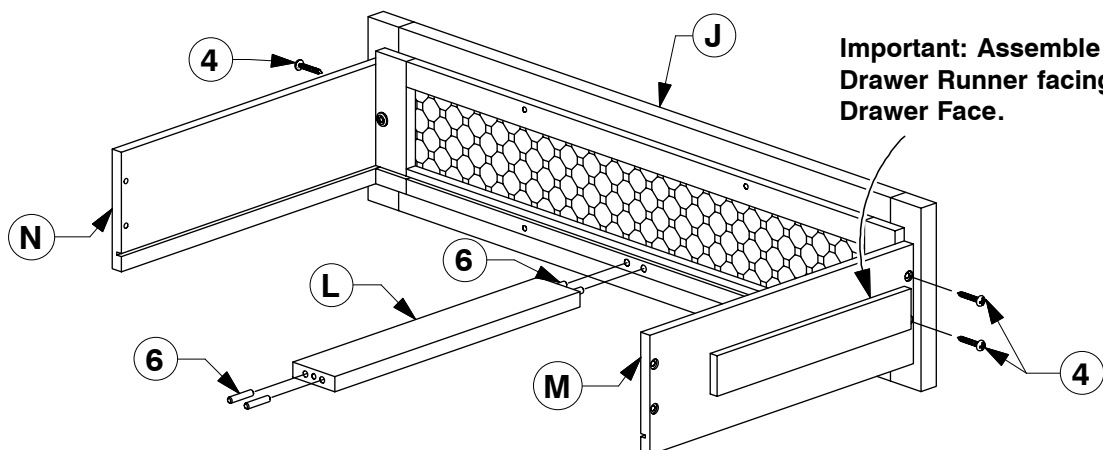
10 Flat Washer x 8



11 Allen Key x 1

3 Assemble the Drawer Sides (M & N) & Drawer Rail (L) to the Drawer Face (J).

x4



Important: Assemble the Drawer Runner facing Drawer Face.

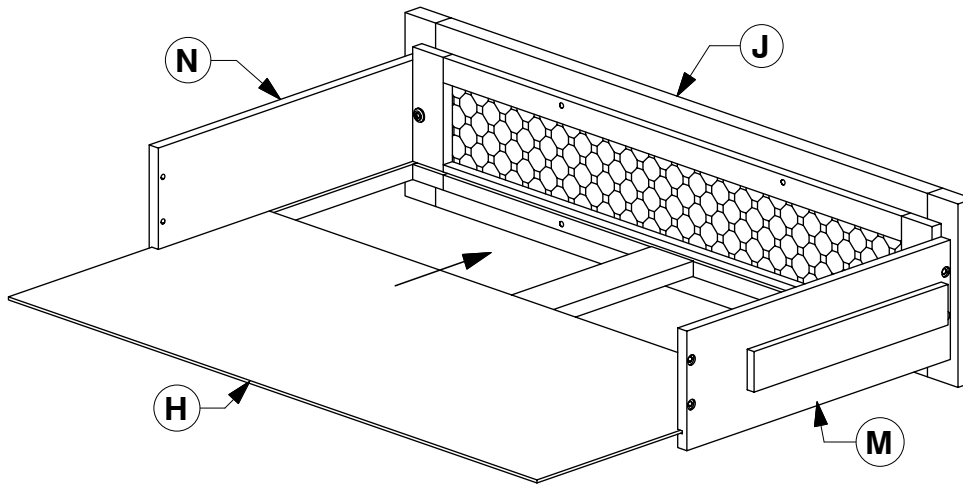
9001 4 Drawer Chest

Assembly Instructions

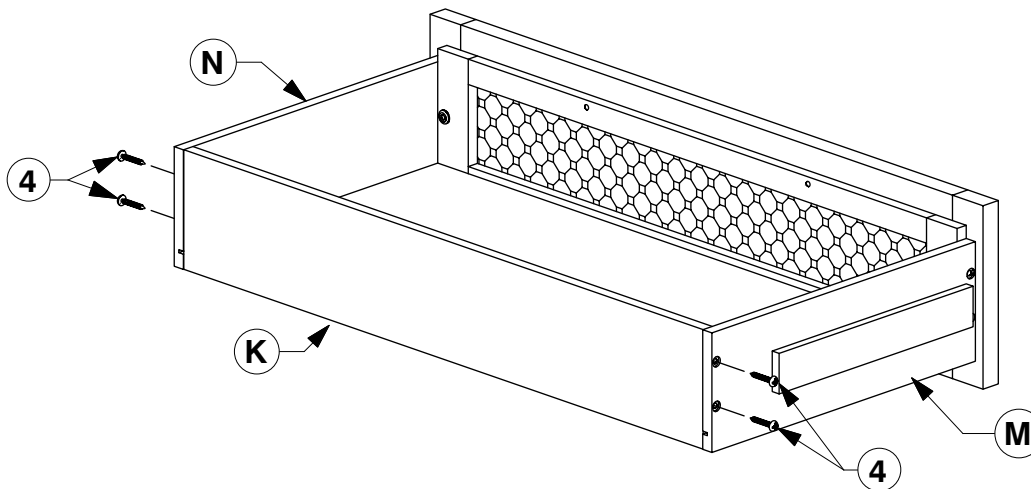
WI-1220

- 4** Slide the Drawer Bottom (H) into the groove on the Drawer Sides (M & N).

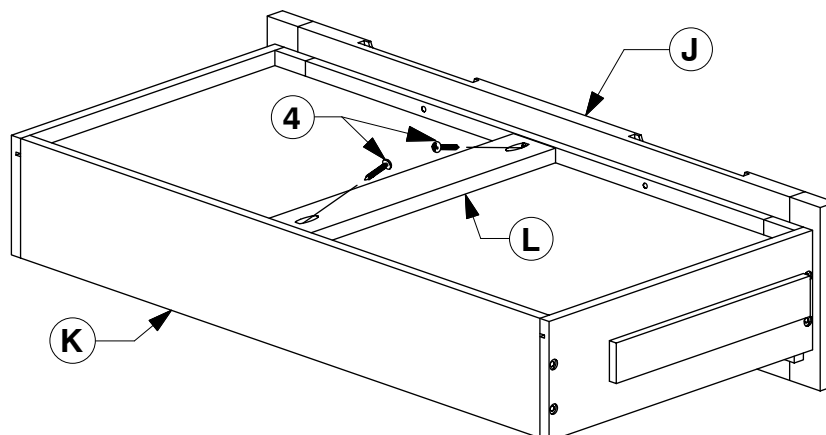
x4



- 5** Assemble the Drawer Back (K) to the Drawer Sides (M & N).



- 6** Turn the Drawer over to fit angled 25mm Wood screws (4) to the Drawer Rail (L).

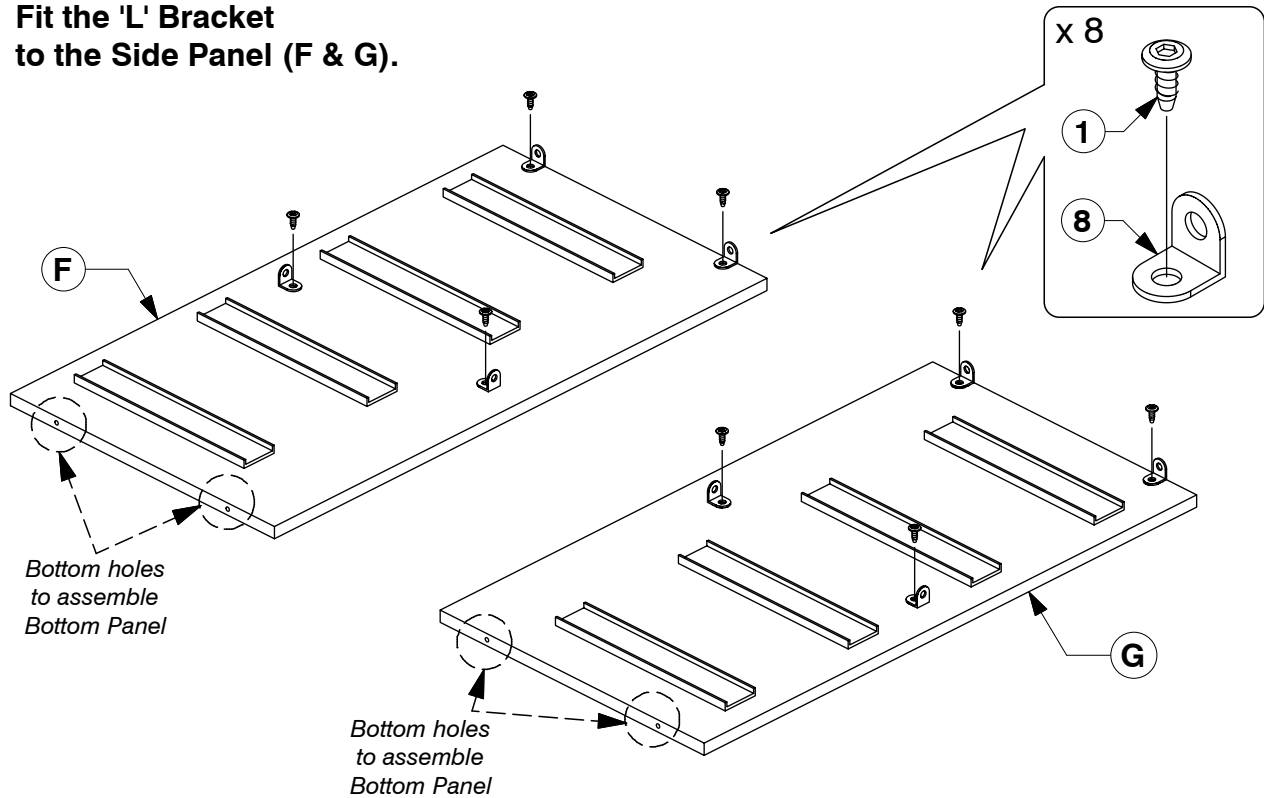


9001 4 Drawer Chest

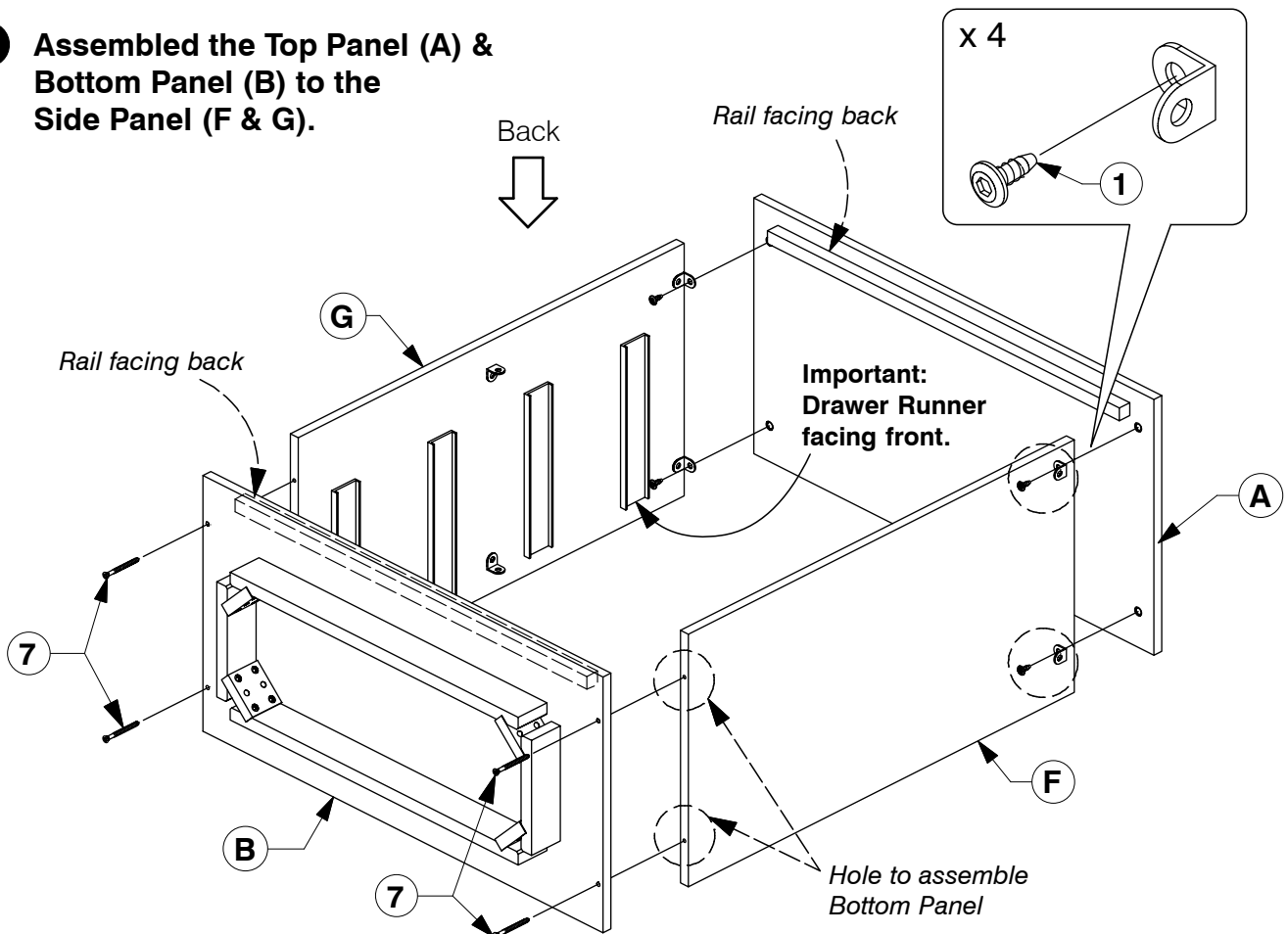
Assembly Instructions

WI-1220

- 7** Fit the 'L' Bracket to the Side Panel (F & G).



- 8** Assemble the Top Panel (A) & Bottom Panel (B) to the Side Panel (F & G).

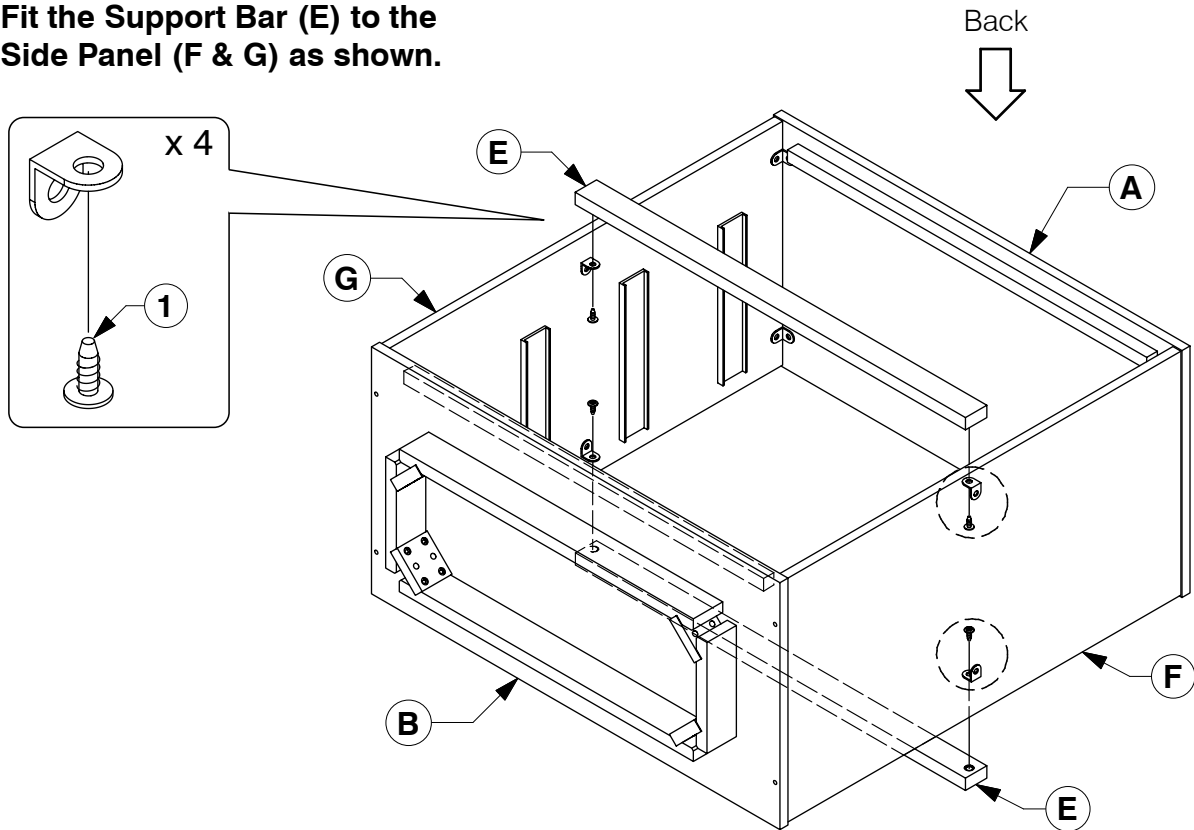


9001 4 Drawer Chest

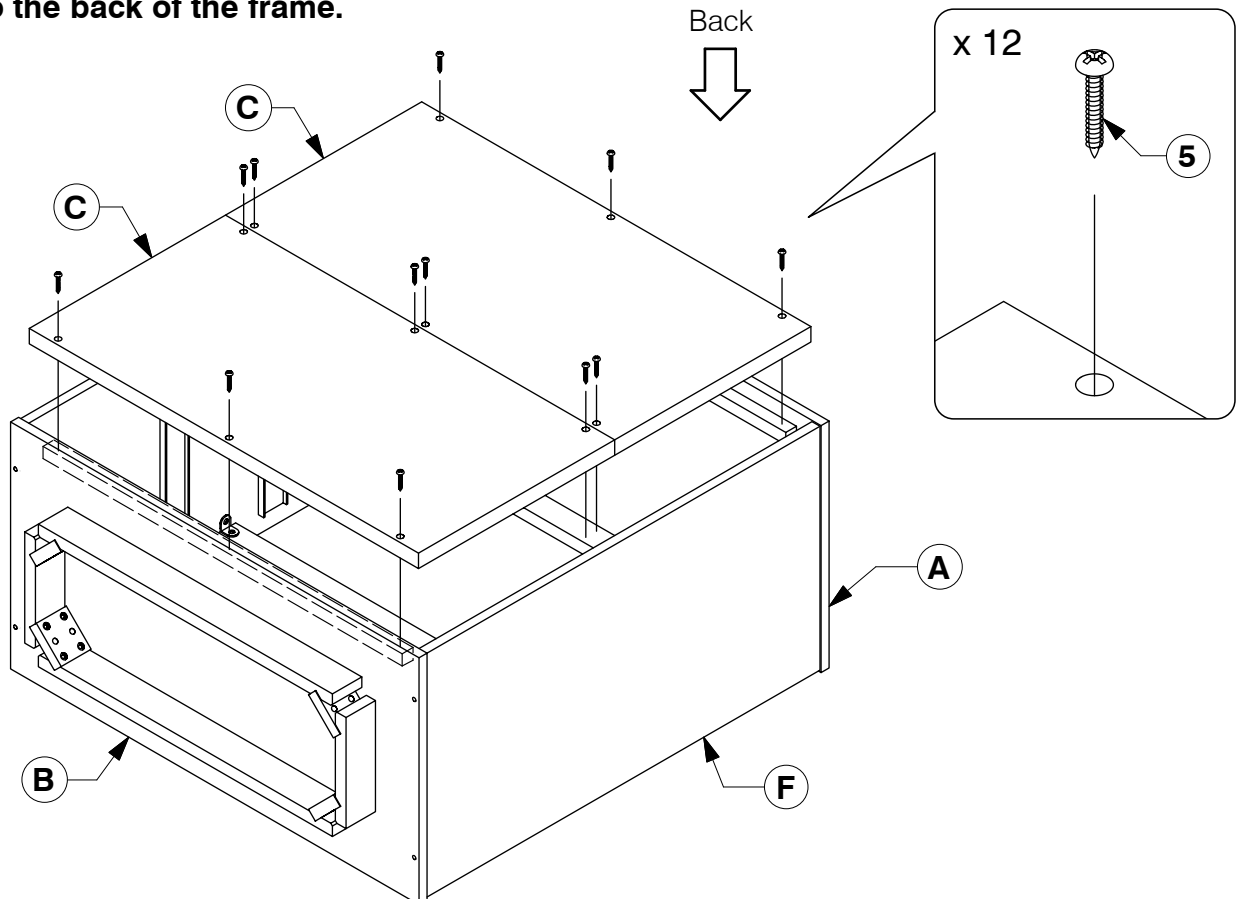
Assembly Instructions

WI-1220

- 9** Fit the Support Bar (E) to the Side Panel (F & G) as shown.



- 10** Attached the Back Panel (C) to the back of the frame.

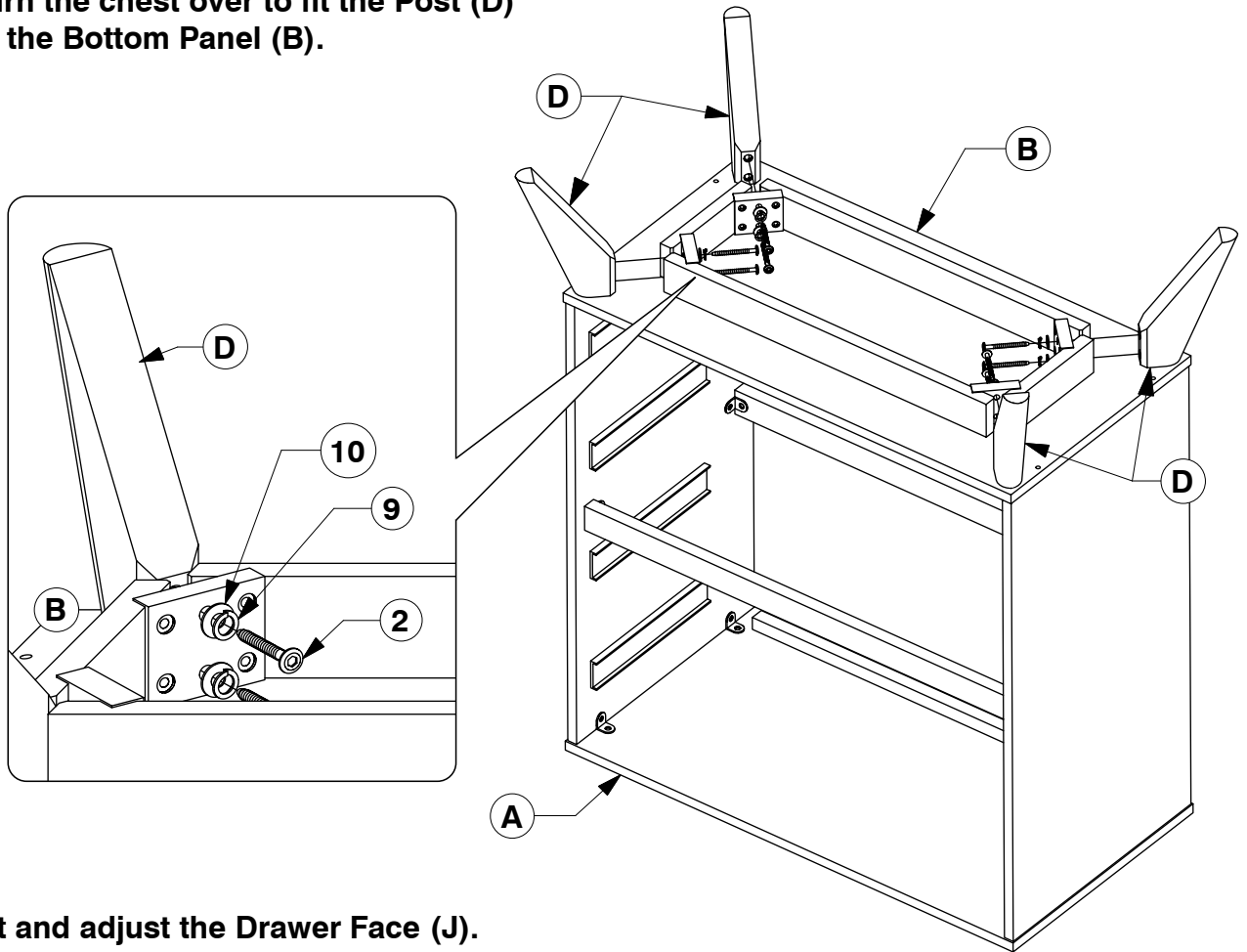


9001 4 Drawer Chest

Assembly Instructions

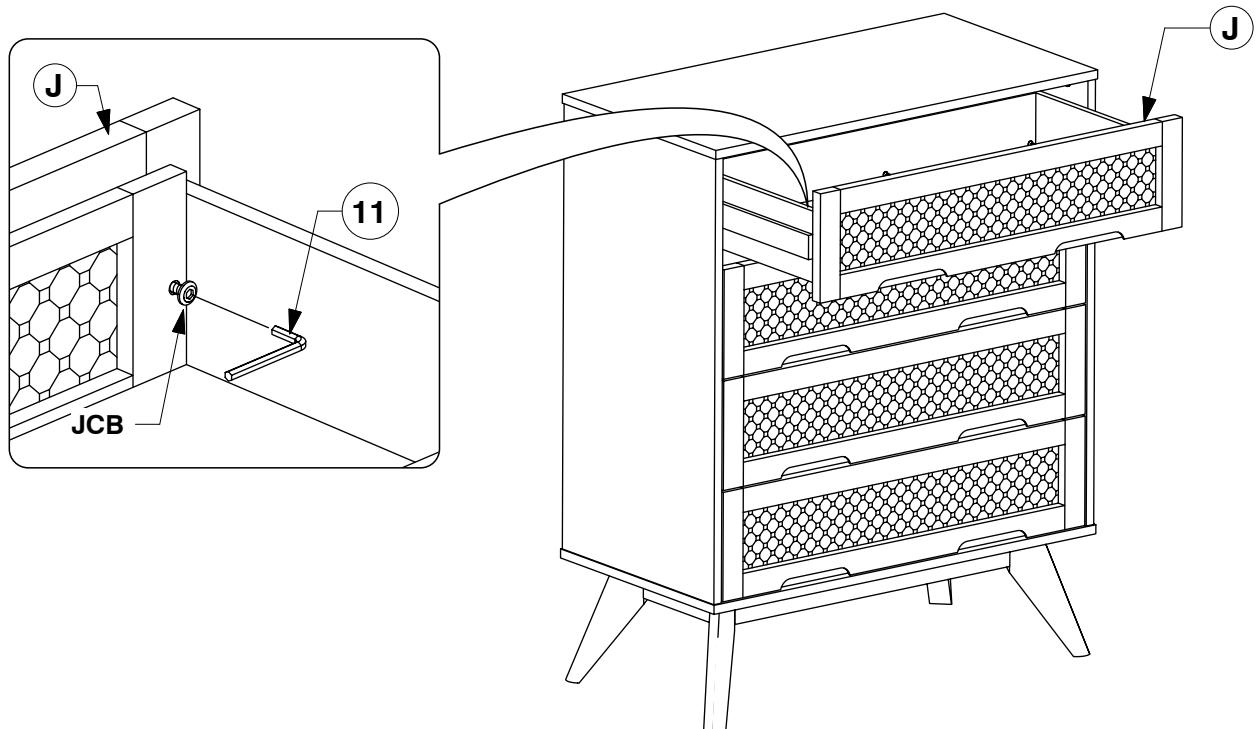
WI-1220

- 11** Turn the chest over to fit the Post (D) to the Bottom Panel (B).



- 12** Fit and adjust the Drawer Face (J).

* NOTE: Before fitting the Wood Screws.
Loosen the JCBs on the Drawer Face if the face needs alignment.

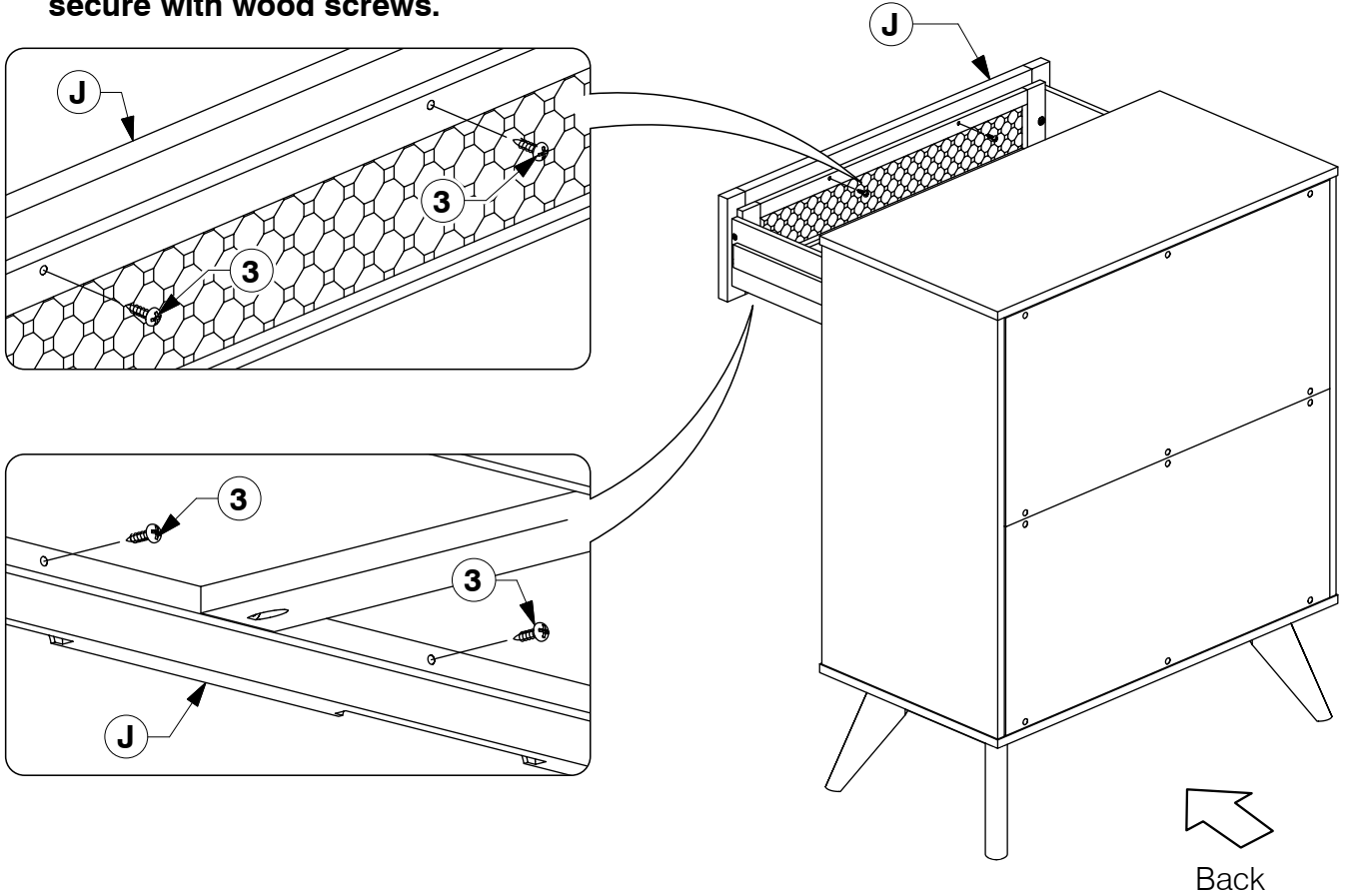


9001 4 Drawer Chest

Assembly Instructions

WI-1220

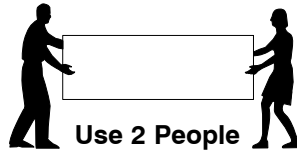
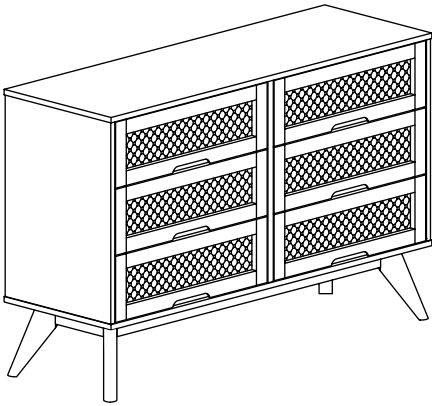
- 13** After the Drawer Faces (J) are aligned, secure with wood screws.



9001 6 Drawer Dresser

Assembly Instructions

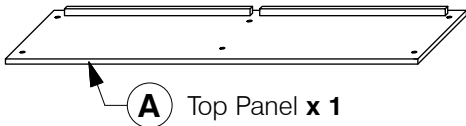
WI-1220



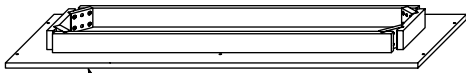
Note: Do not assemble using power tools. This can cause the bolts to be overtightened

1 Parts List

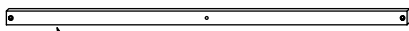
Parts in Box A:



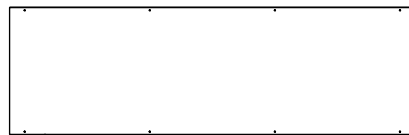
A Top Panel x 1



B Bottom Panel x 1



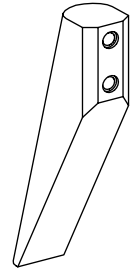
C Support Bar x 2



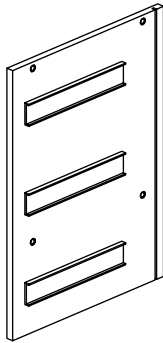
D Back Panel (Wider) x 1



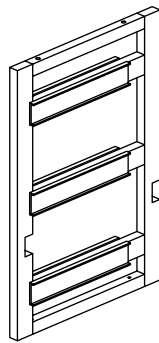
E Back Panel (Narrow) x 1



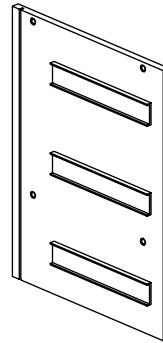
F Post x 4



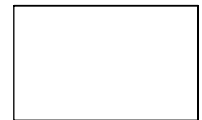
G Side Panel (Left Hand) x 1



H Center Frame x 1

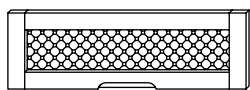


J Side Panel (Right Hand) x 1

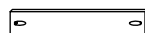


K Drawer Bottom x 6

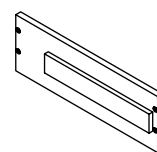
Parts in Box B:



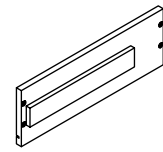
L Drawer Face x 6



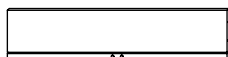
N Drawer Rail x 6



O Drawer Side (Left Hand) x 6



P Drawer Side (Right Hand) x 6



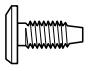


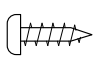
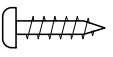
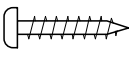

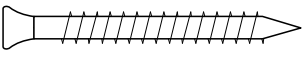


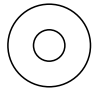

M Drawer Back x 6

9001 6 Drawer Dresser

Assembly Instructions

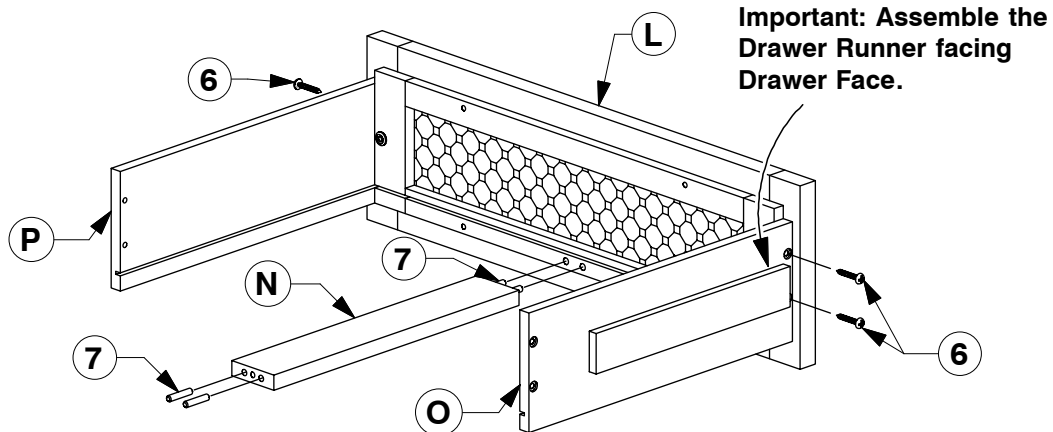
WI-1220

2 Hardware List

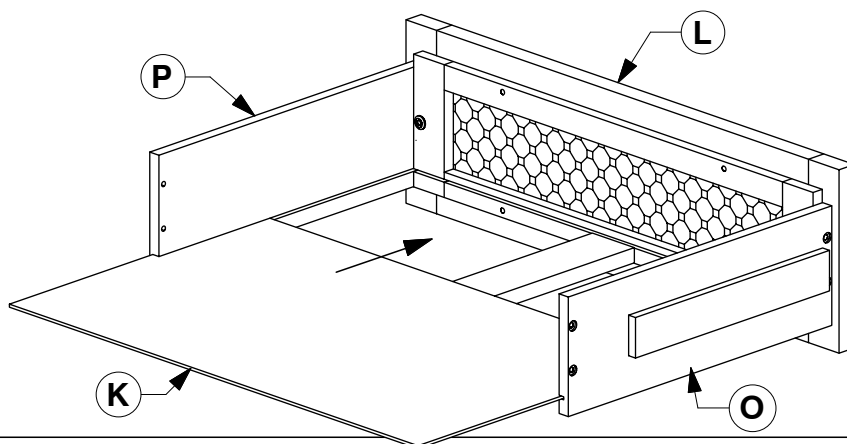
- | | | | |
|------------------------------------------------------------------------------------------------------------------------------|------------------------------------------------------------------------------------------------------------------------------|----------------------------------------------------------------------------------------------------------------------------|------------------------------------------------------------------------------------------------------------------------------------|
|  1 M6 x 15mm JCB x 16 |  2 M6 x 60mm JCB x 8 |  3 M6 x 35mm JCB x 4 |  4 Wood Screw (M4 x 16mm) x 16 |
|  5 Wood Screw (M4 x 20mm) x 24 |  6 Wood Screw (M4 x 25mm) x 60 |  7 M6 x 25mm Wood Dowel x 24 |  8 CSK Cap Wood Screw (M6 x 50mm) x 6 |
|  9 'L' Bracket (5005-3) x 8 |  10 Spring Washer x 8 |  11 Flat Washer x 8 |  12 Allen Key x 1 |

3 Assemble the Drawer Sides (O & P) & Drawer Rail (N) to the Drawer Face (L).

x6



4 Slide the Drawer Bottom (K) into the groove on the Drawer Sides (O & P).



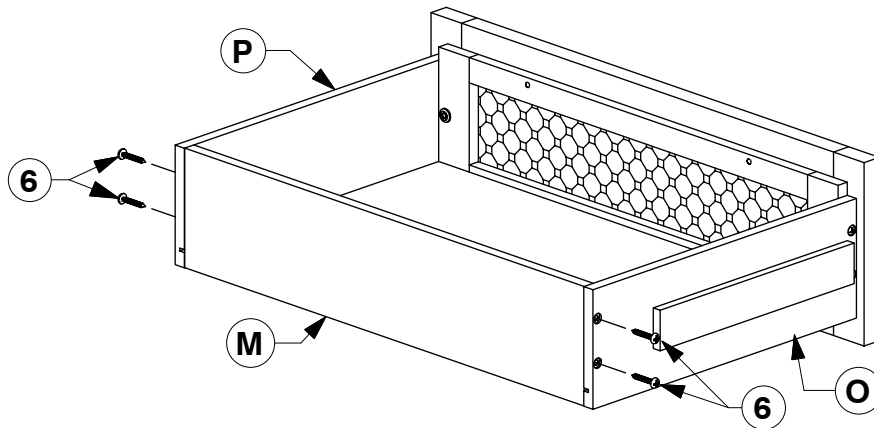
9001 6 Drawer Dresser

Assembly Instructions

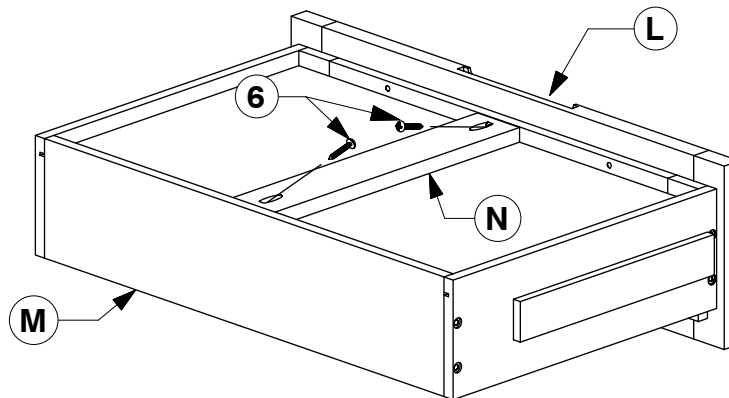
WI-1220

- 5** Assemble the Drawer Back (M) to the Drawer Sides (O & P).

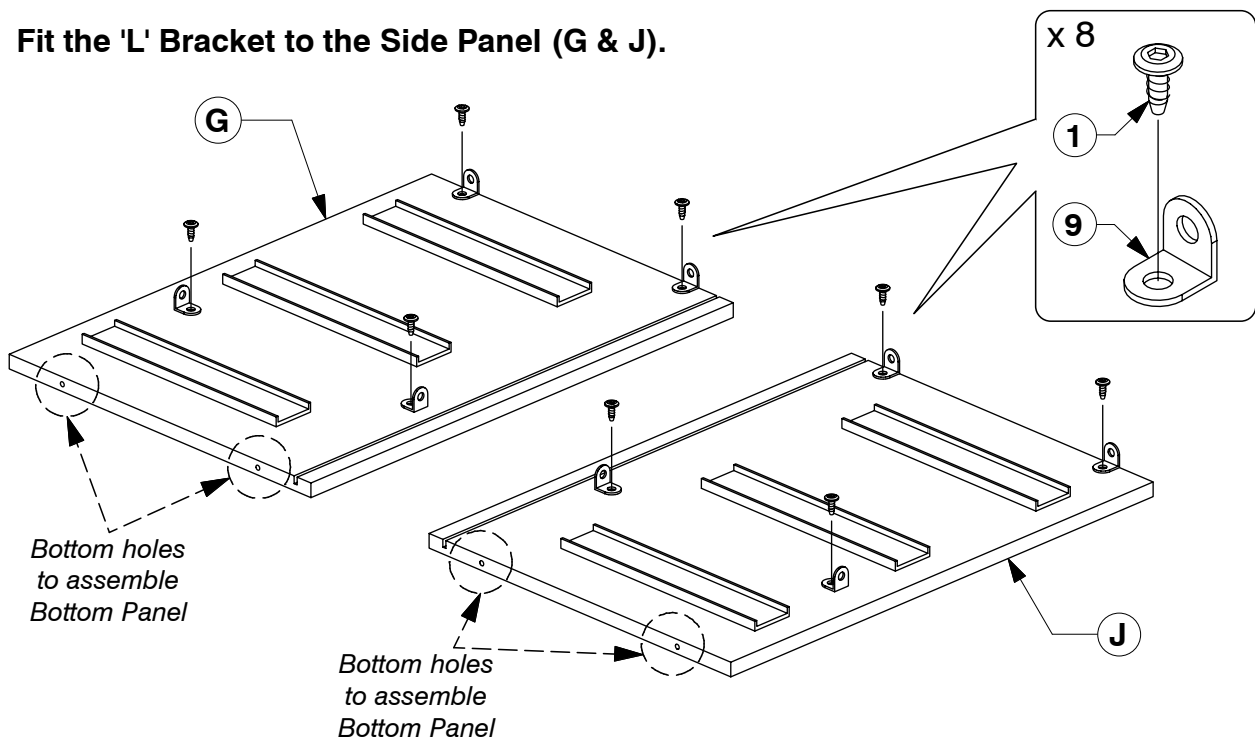
x6



- 6** Turn the Drawer over to fit angled 25mm Wood screws (6) to the Drawer Rail (N).



- 7** Fit the 'L' Bracket to the Side Panel (G & J).

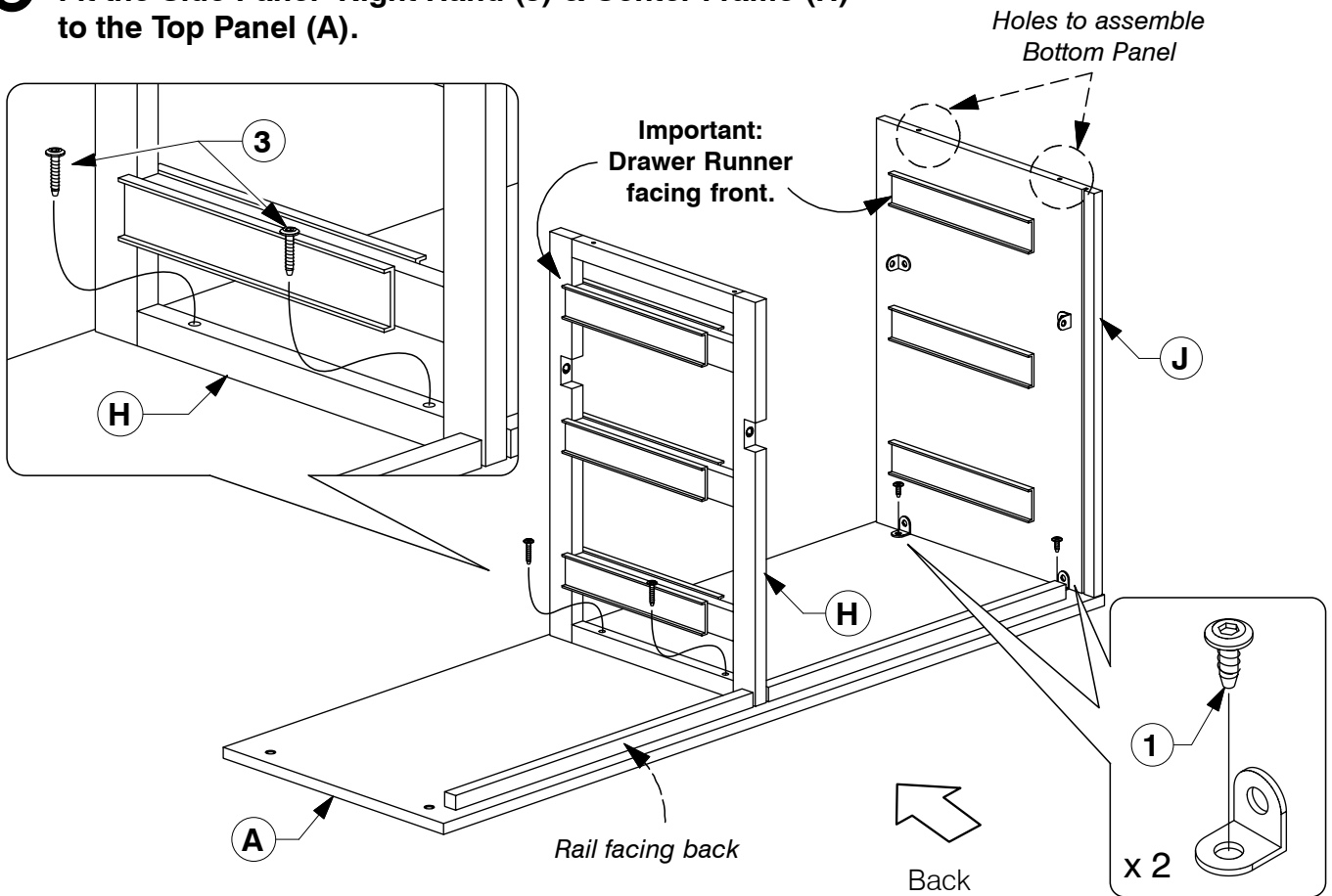


9001 6 Drawer Dresser

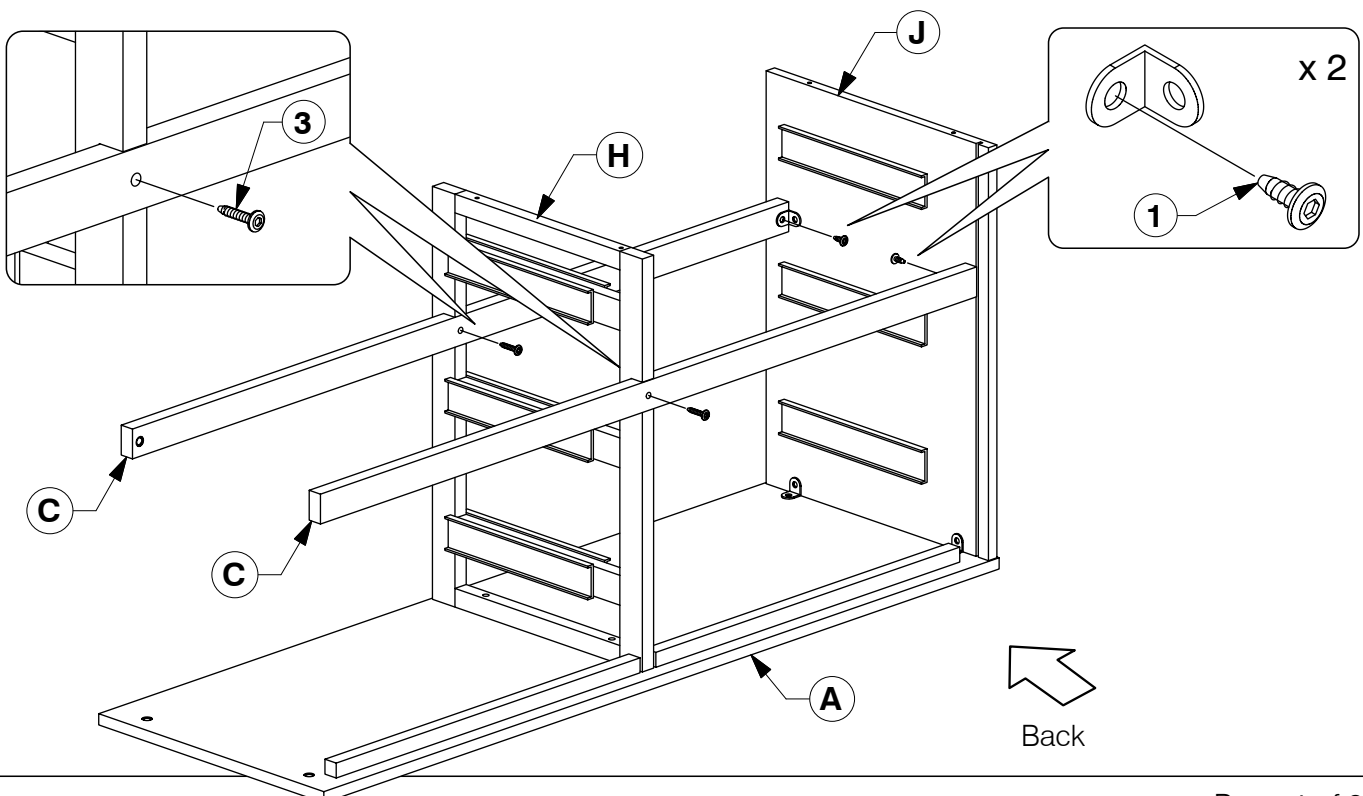
Assembly Instructions

WI-1220

- 8** Fit the Side Panel- Right Hand (J) & Center Frame (H) to the Top Panel (A).



- 9** Fit the Support Bar (C) to the Side Panel- Right Hand (J) & Center Frame (H) as shown.

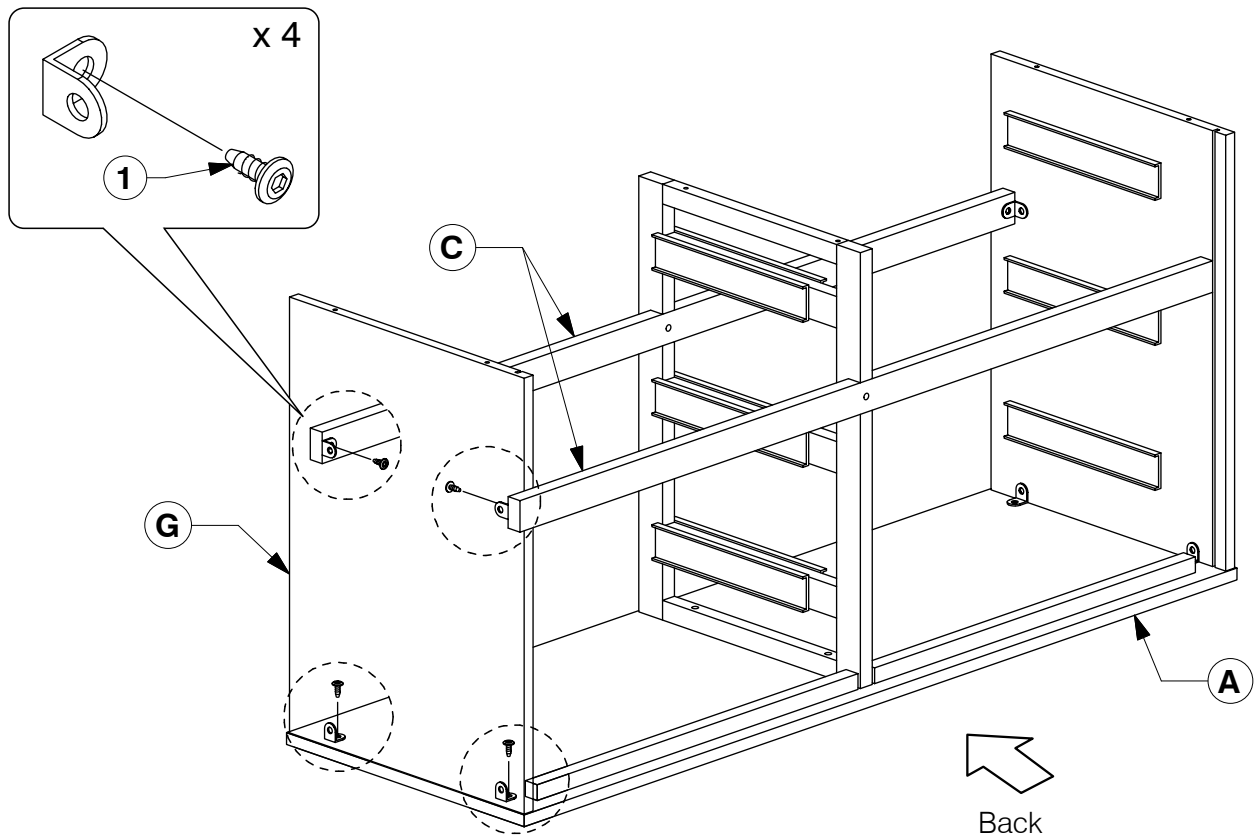


9001 6 Drawer Dresser

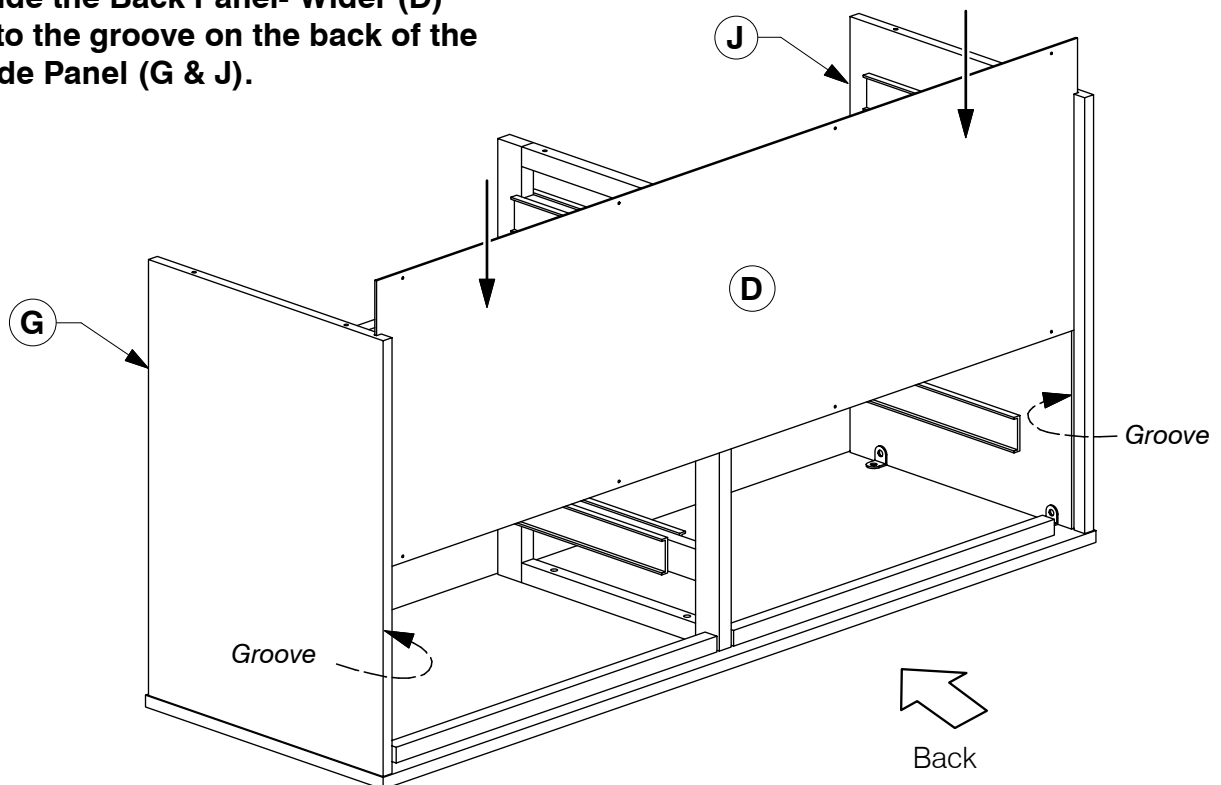
Assembly Instructions

WI-1220

- 10** Fit the other side of Side Panel- Left Hand (G) to the Top Panel (A) & Support Bar (C).



- 11** Slide the Back Panel- Wider (D) into the groove on the back of the Side Panel (G & J).

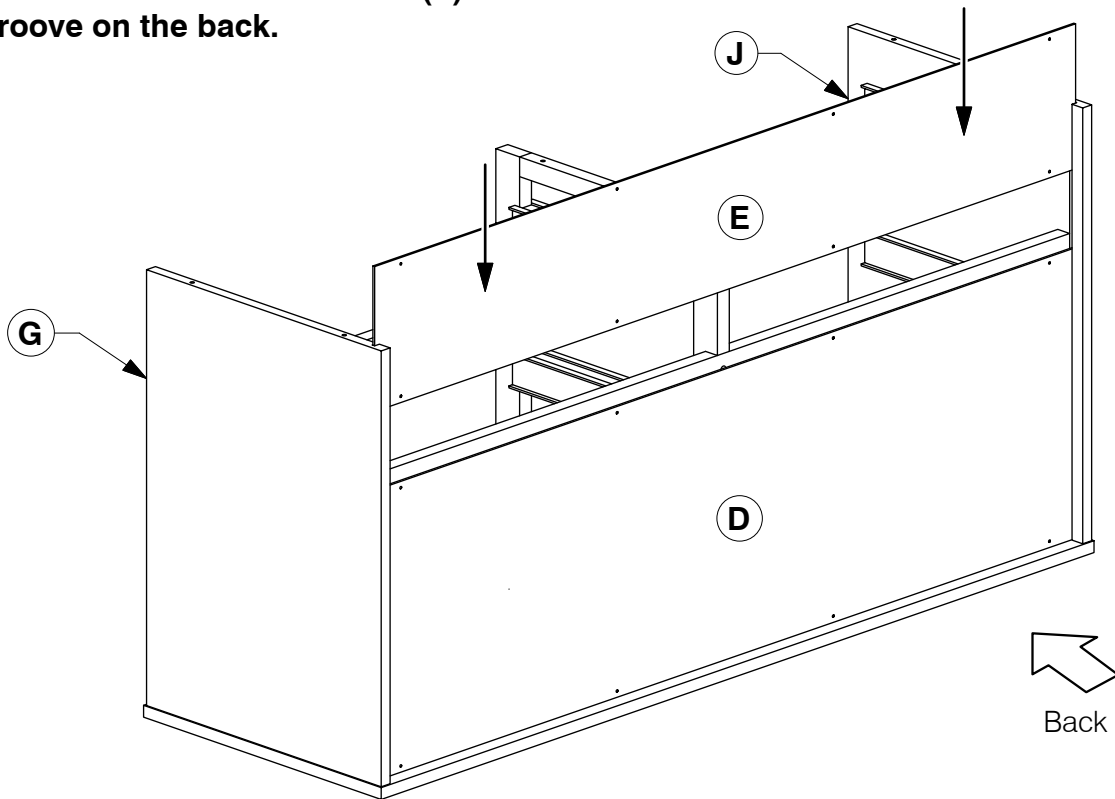


9001 6 Drawer Dresser

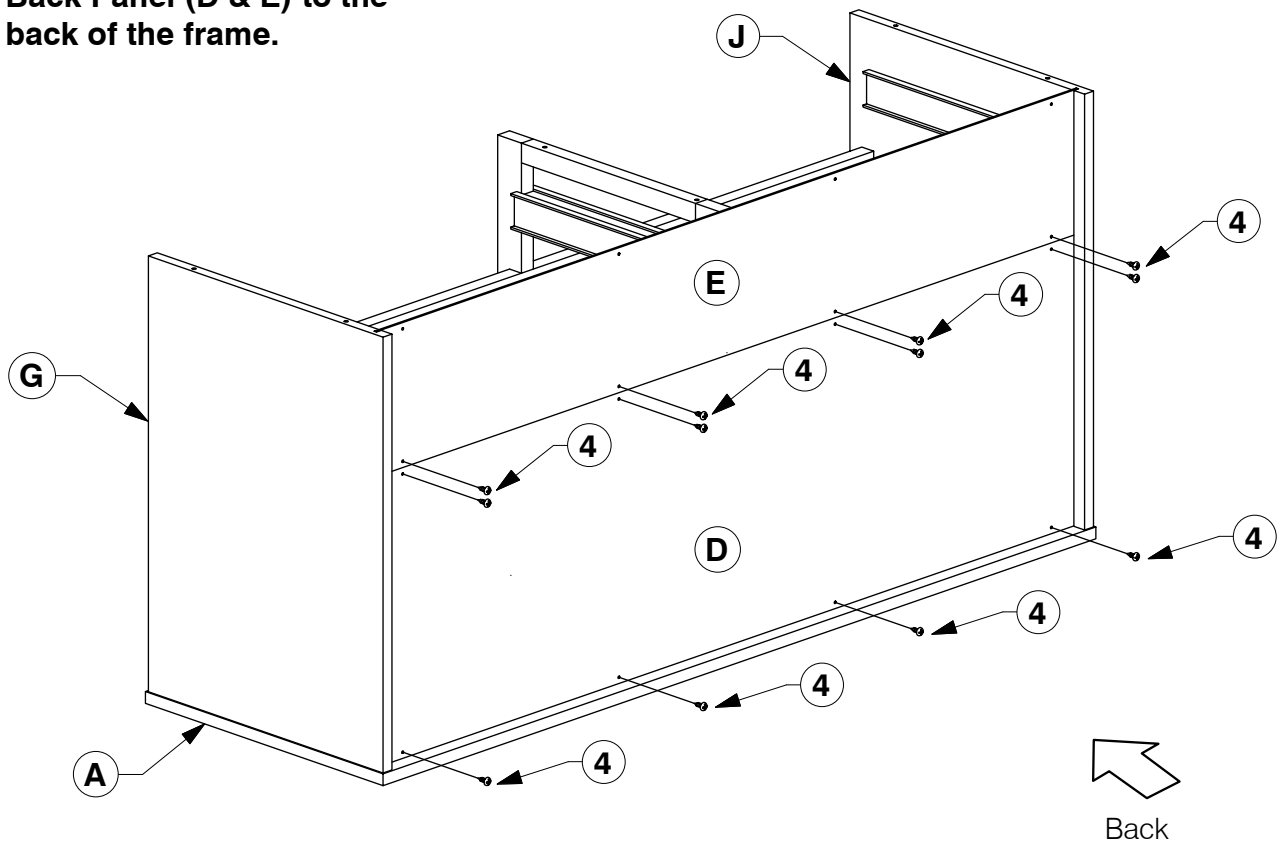
Assembly Instructions

WI-1220

- 12** Slide the Back Panel-Narrow (E) into the groove on the back.



- 13** Use screws to tighten the Back Panel (D & E) to the back of the frame.

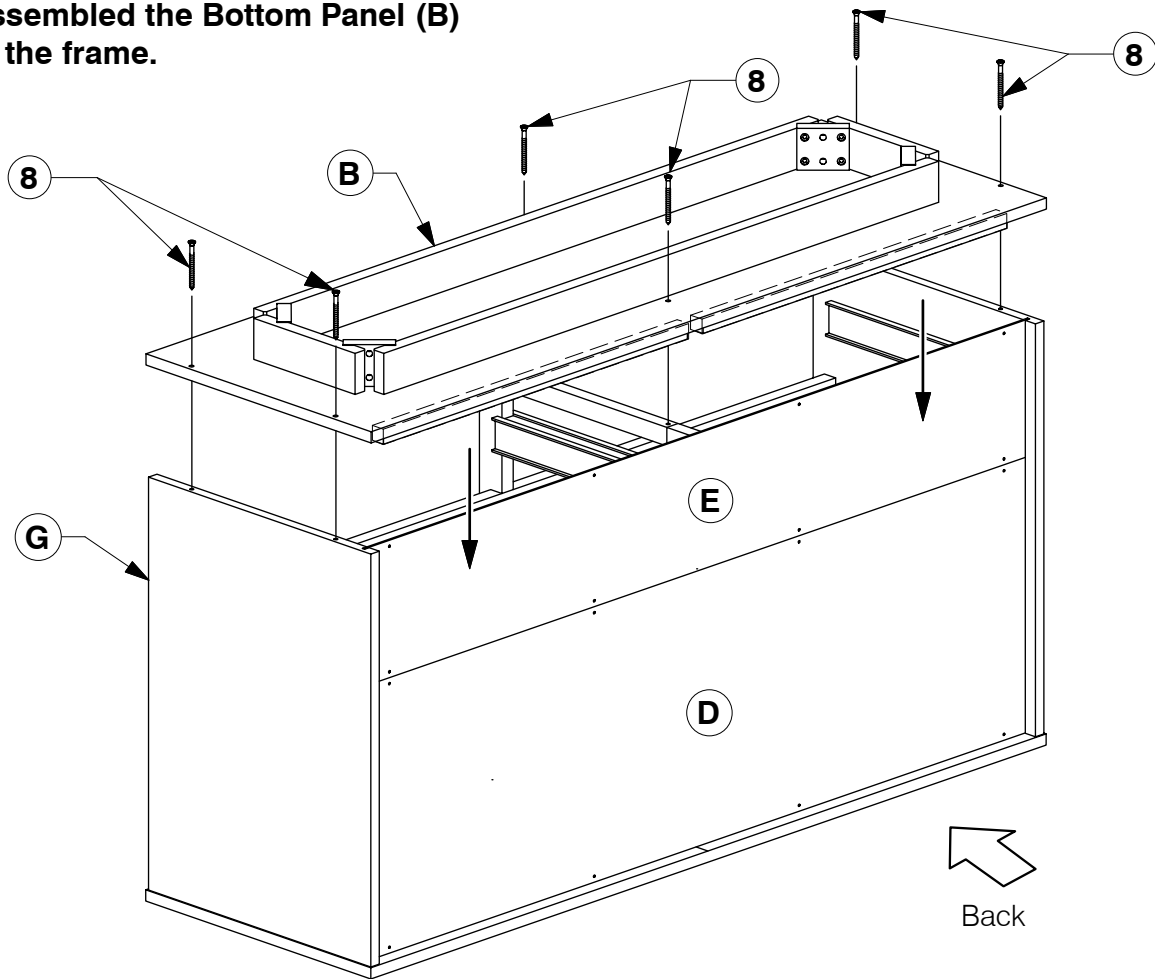


9001 6 Drawer Dresser

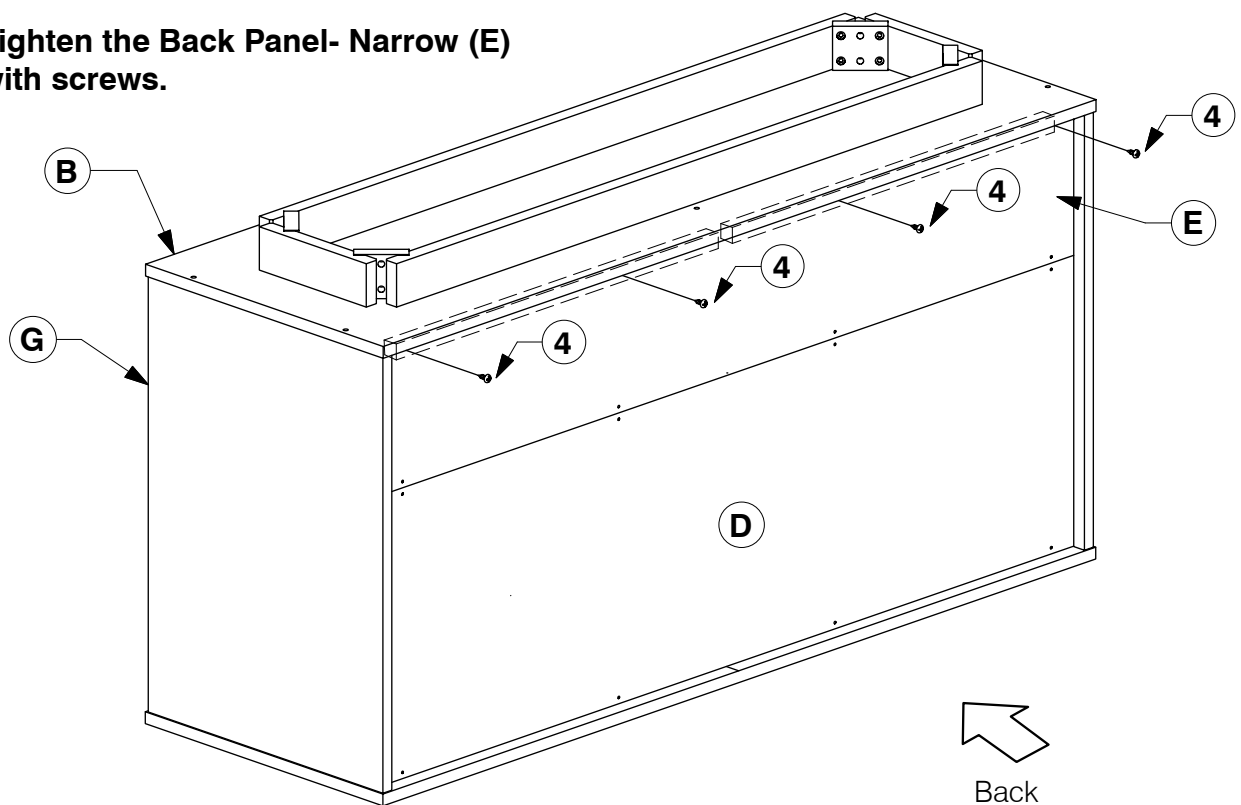
Assembly Instructions

WI-1220

- 14** Assembled the Bottom Panel (B) to the frame.



- 15** Tighten the Back Panel- Narrow (E) with screws.

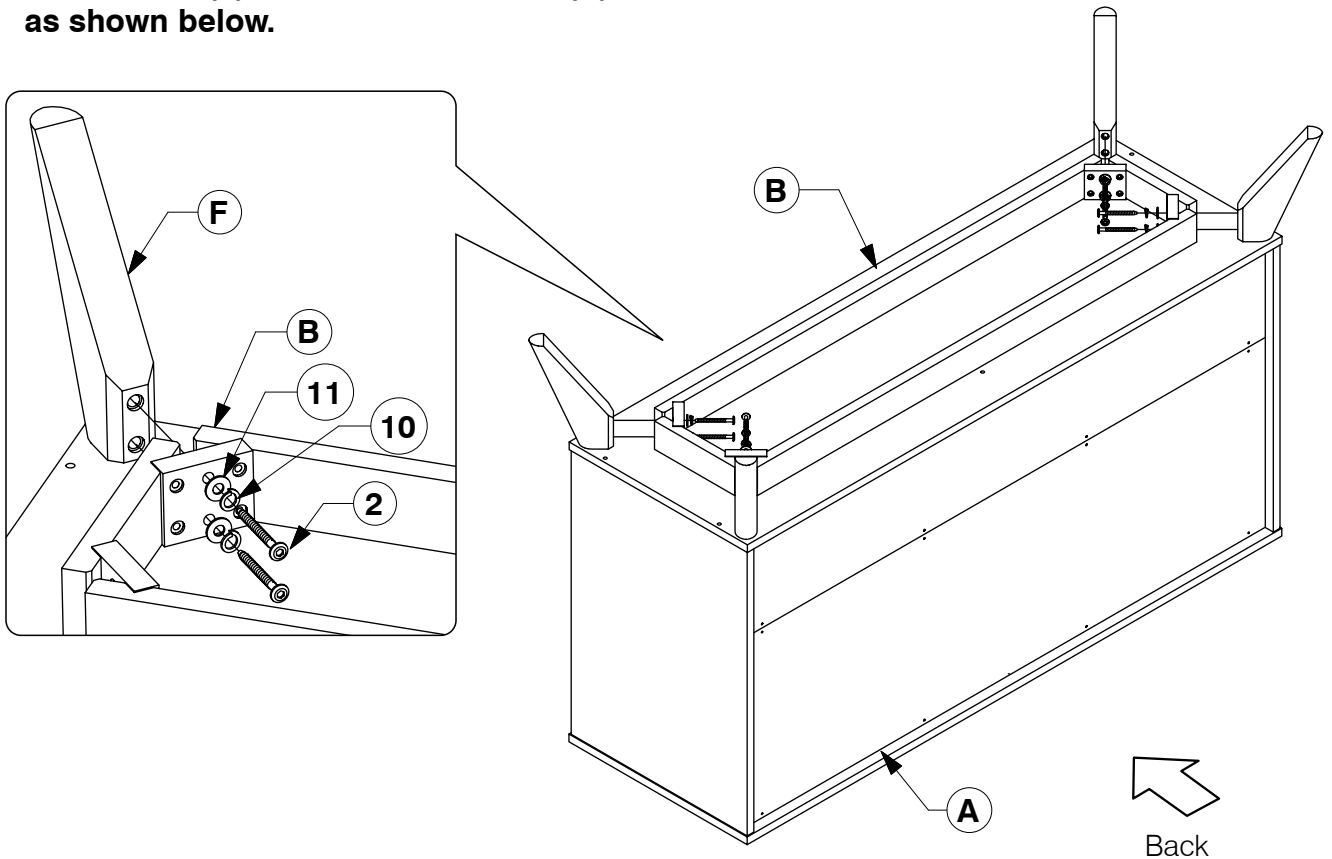


9001 6 Drawer Dresser

Assembly Instructions

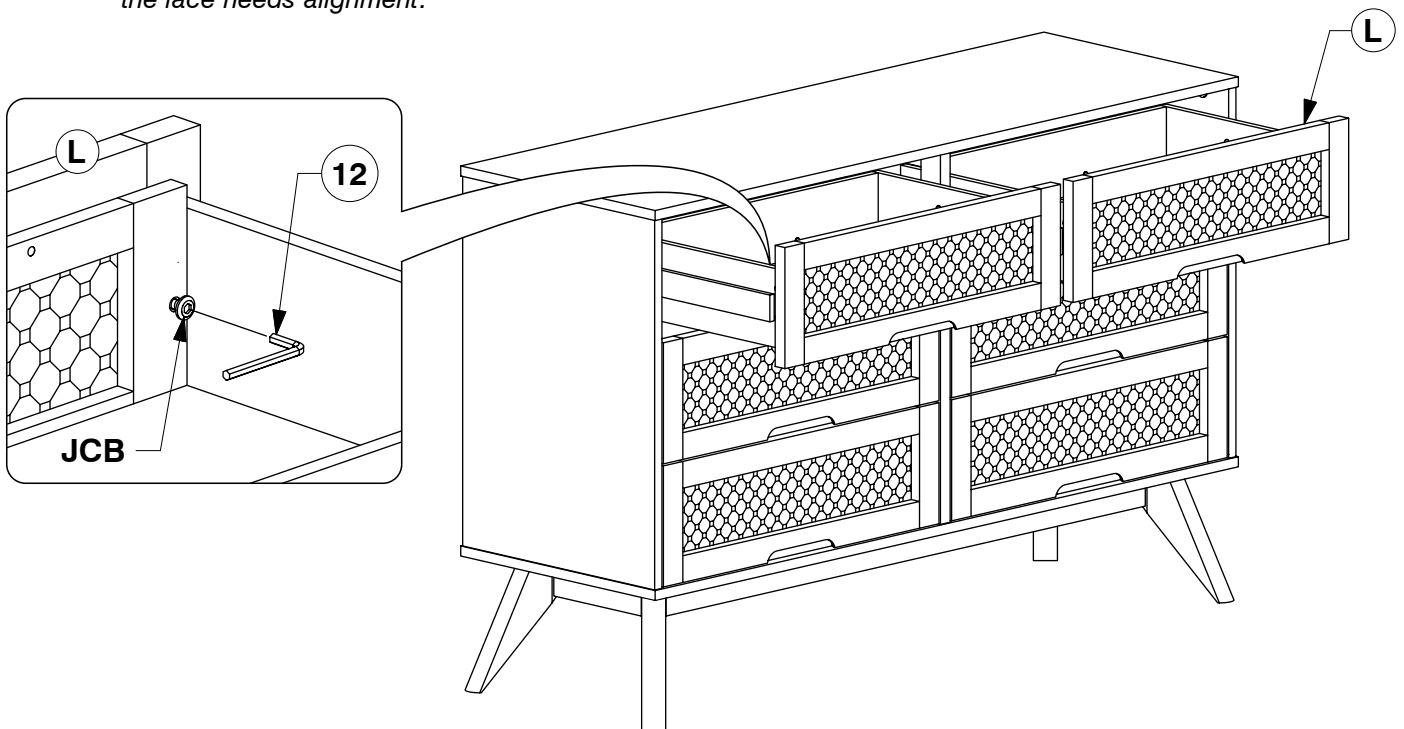
WI-1220

- 16** Fit the Post (F) to the Bottom Panel (B) as shown below.



- 17** Fit and adjust the Drawer Face (L).

* NOTE: Before fitting the Wood Screws.
Loosen the JCBs on the Drawer Face if the face needs alignment.

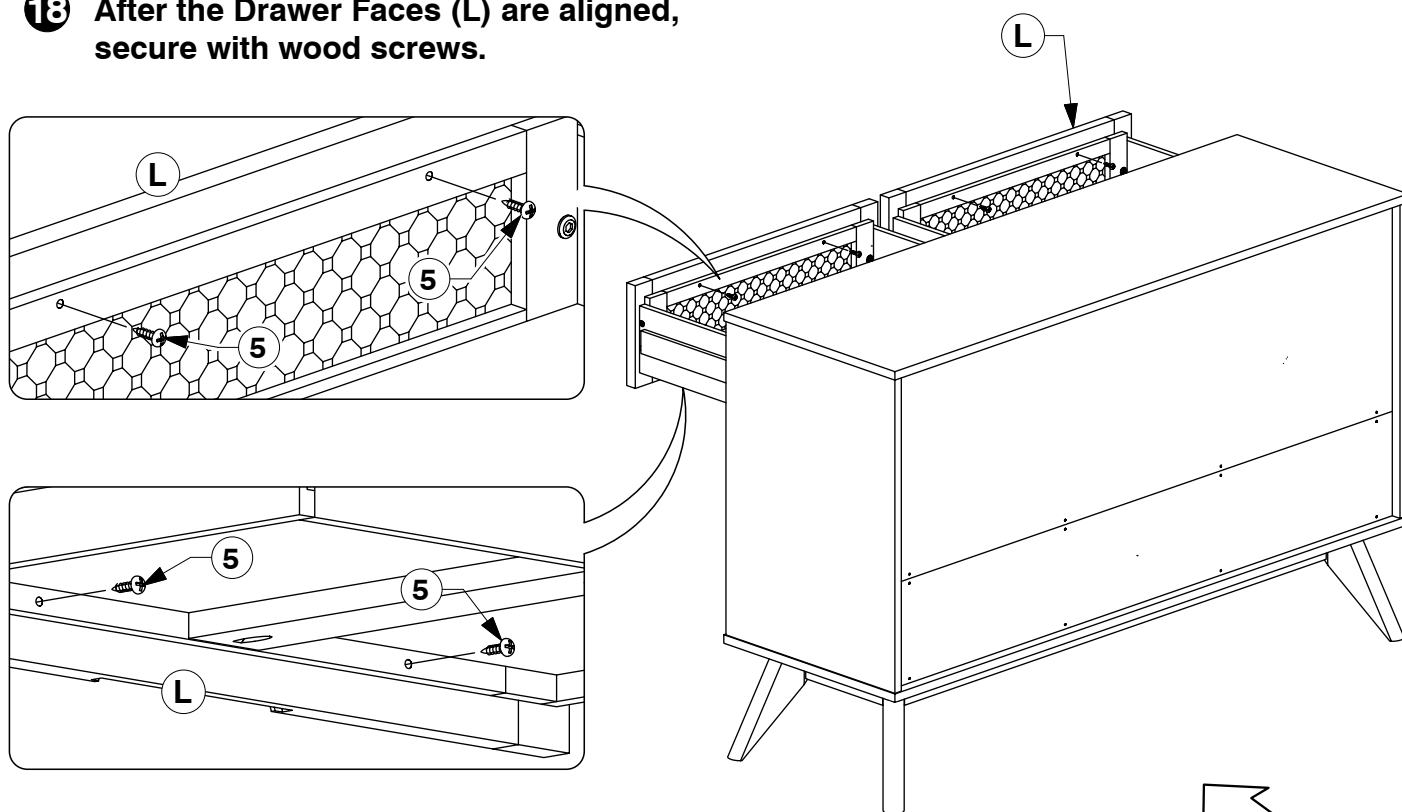


9001 6 Drawer Dresser

Assembly Instructions

WI-1220

- 18** After the Drawer Faces (L) are aligned, secure with wood screws.



Back