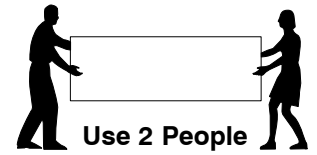
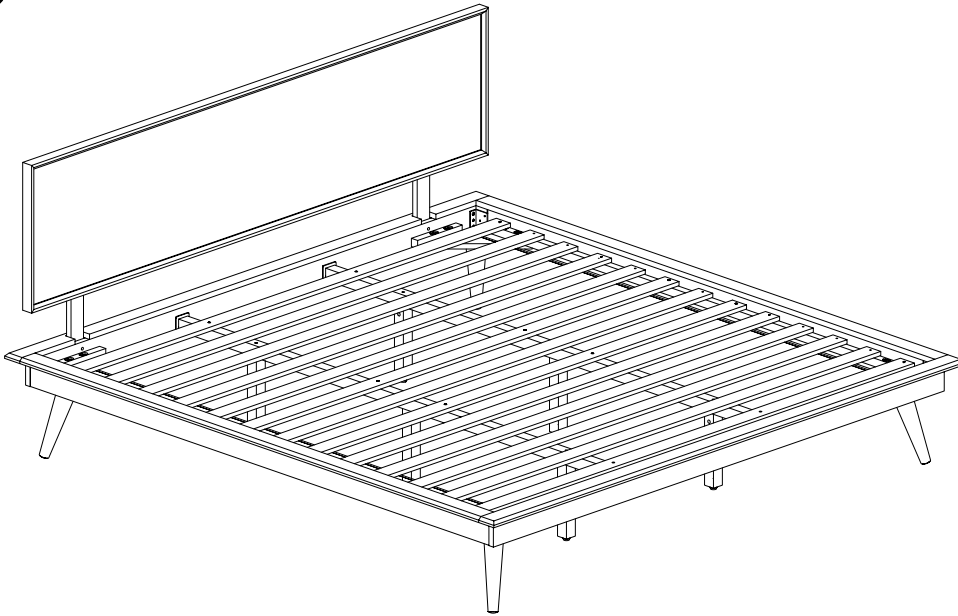


**1 Assembled View**



**Note:** Do not assemble using power tools. This can cause the bolts to be overtightened

**2 Parts List**

Parts in Box 1:



**A**  
Headboard Panel x 1



**B**  
Support Bar x 2

Parts in Box 2:



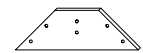
**C** Headboard Panel x 1



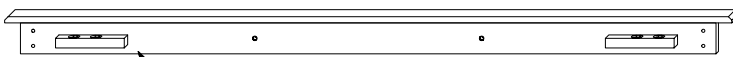
**G**  
Support Leg x 6



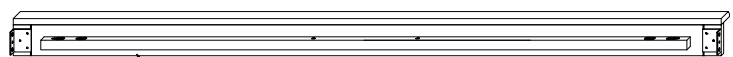
**H**  
Post x 4



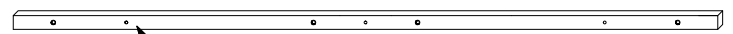
**J**  
Support Panel x 4



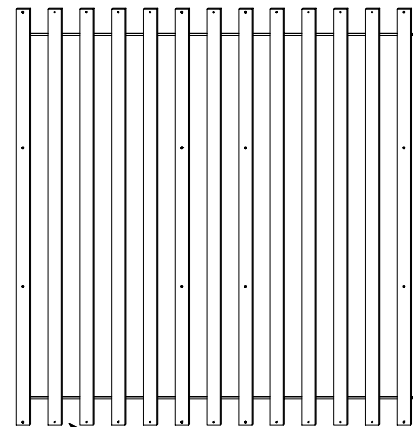
**D** Footboard Panel x 1



**E** Side Rail x 2




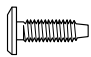
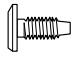
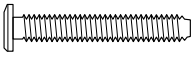



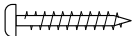


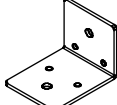
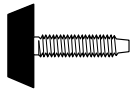


**F** Long Support x 2

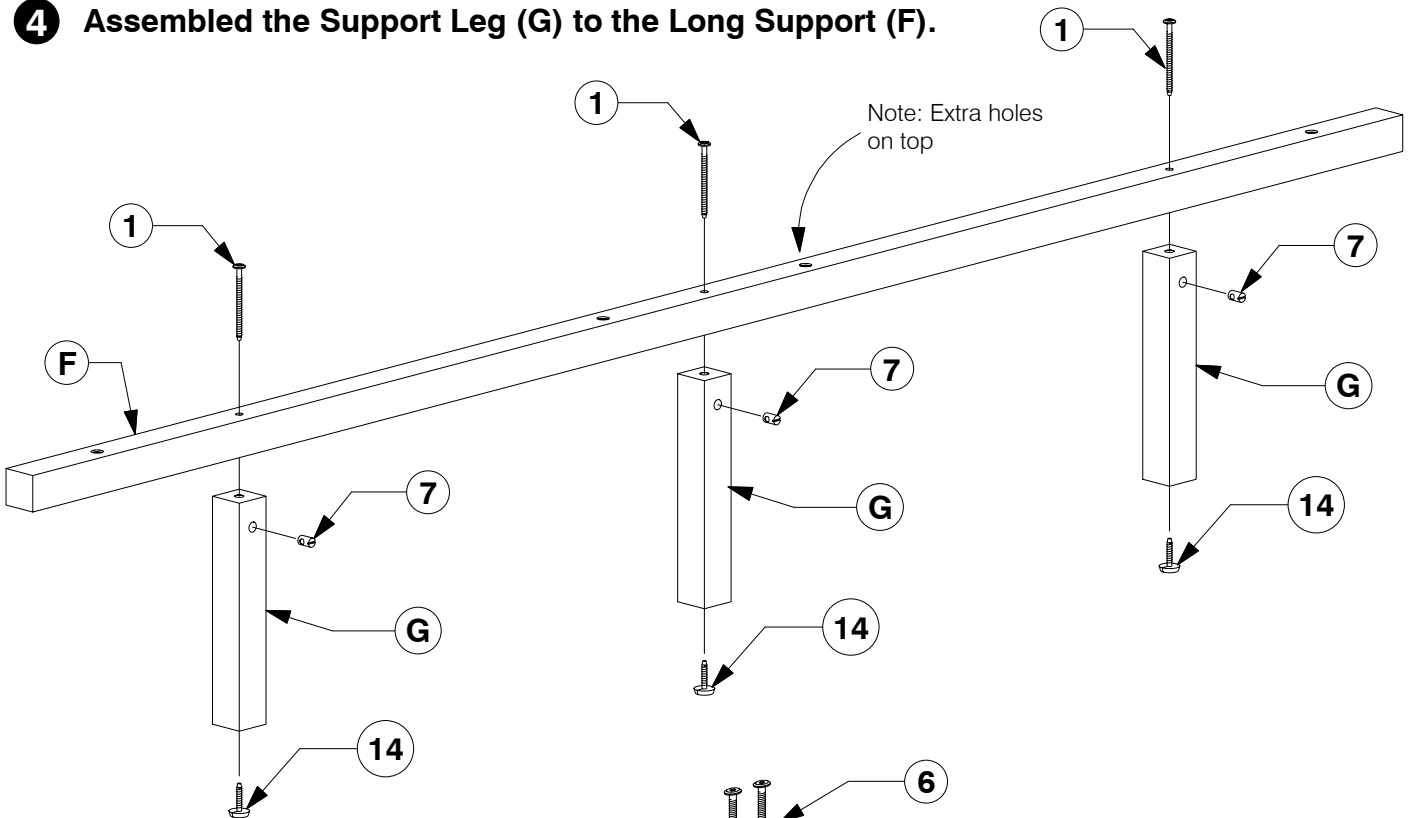


**K** Set of Bed Slats x 1

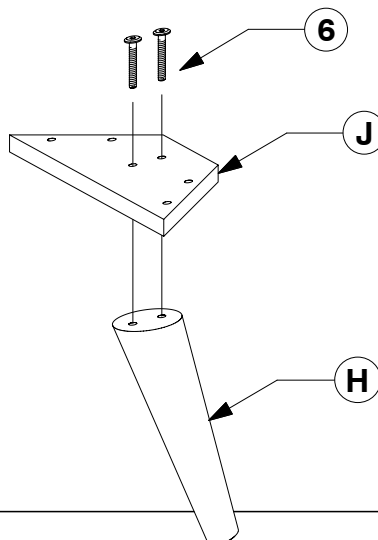
**3 Hardware List**

- |   |   |  |   |
|---|---|--|---|
| <br><b>1</b> M6 x 90mm JCB<br>x 6          | <br><b>2</b> M6 x 50mm JCB<br>x 16           | <br><b>3</b> M6 x 40mm JCB<br>x 26 | <br><b>4</b> M6 x 20mm JCB<br>x 8  |
| <br><b>5</b> M6 x 15mm JCB<br>x 8          | <br><b>6</b> M8 x 50mm JCB<br>x 8            | <br><b>7</b> Barrel Nut<br>x 6      | <br><b>8</b> Spring Washer<br>x 34 |
| <br><b>9</b> Flat Washer<br>x 34         | <br><b>10</b> Wood Screw<br>(M4 x 32mm) x 18 | <br><b>11</b> M4 Allen Key<br>x 1   | <br><b>12</b> M5 Allen Key<br>x 1    |
| <br><b>13</b> Center Rail<br>Bracket x 4 | <br><b>14</b> Adjustable<br>Foot x 6       |  |   |

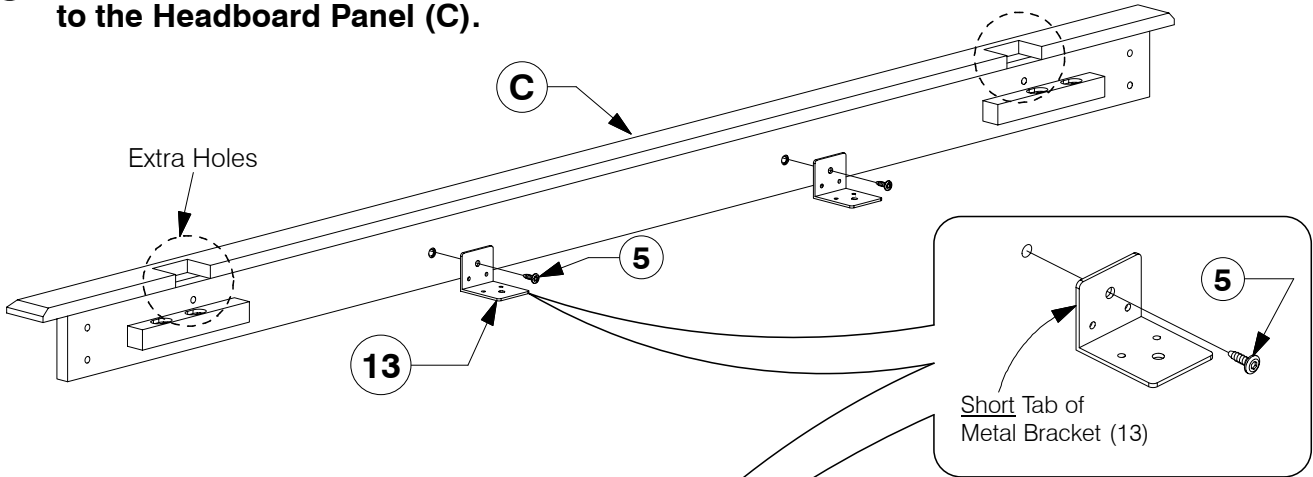
**4 Assembled the Support Leg (G) to the Long Support (F).**



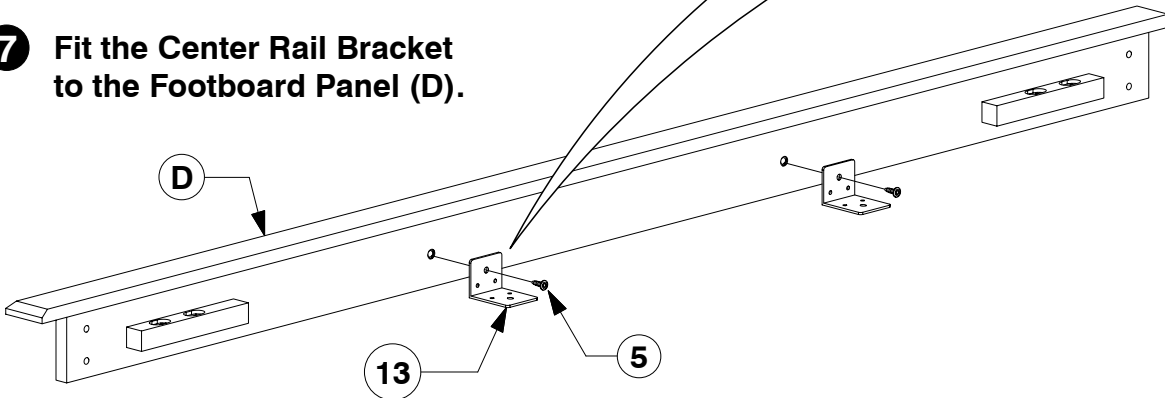
**5 Fit the Post (H) to the Support Panel (J).**



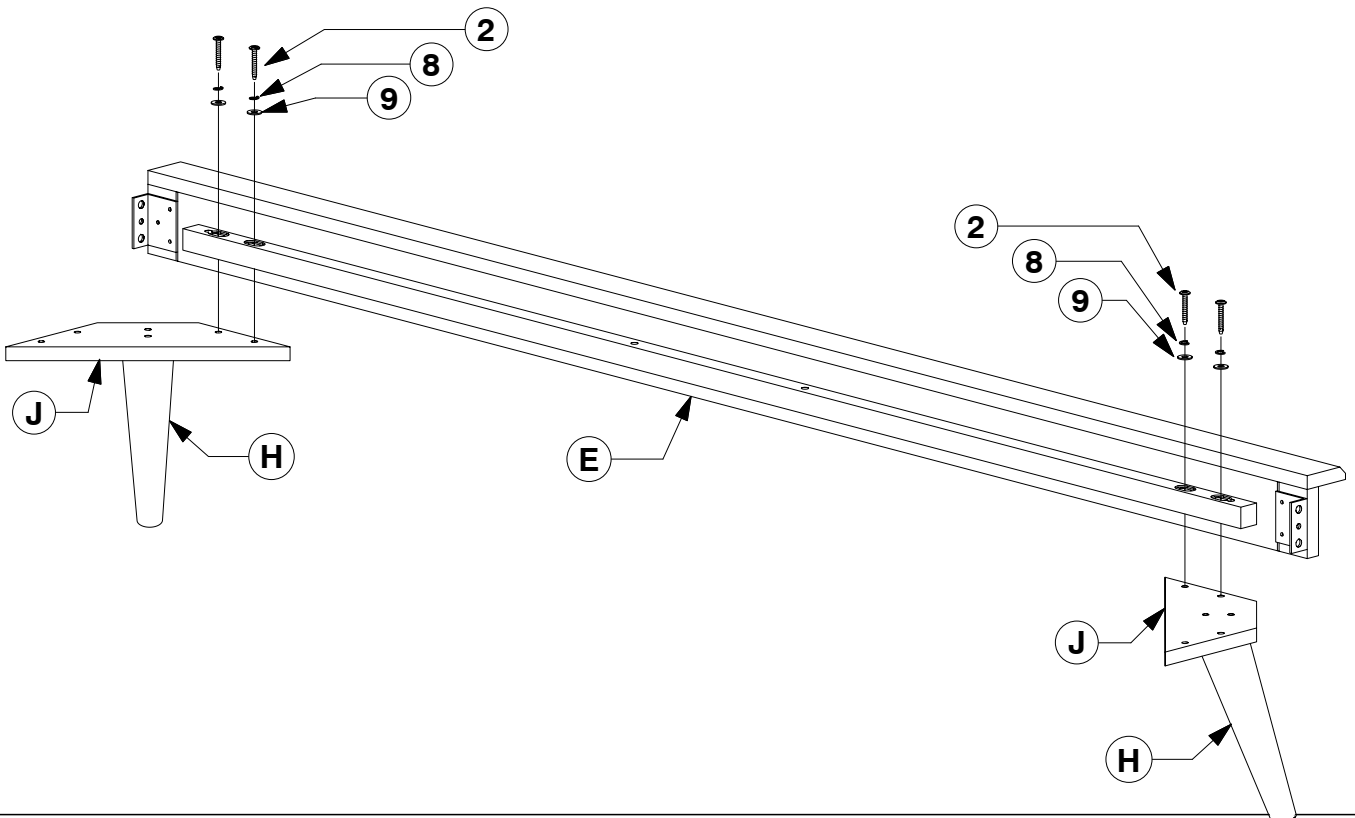
**6** Fit the Center Rail Bracket to the Headboard Panel (C).



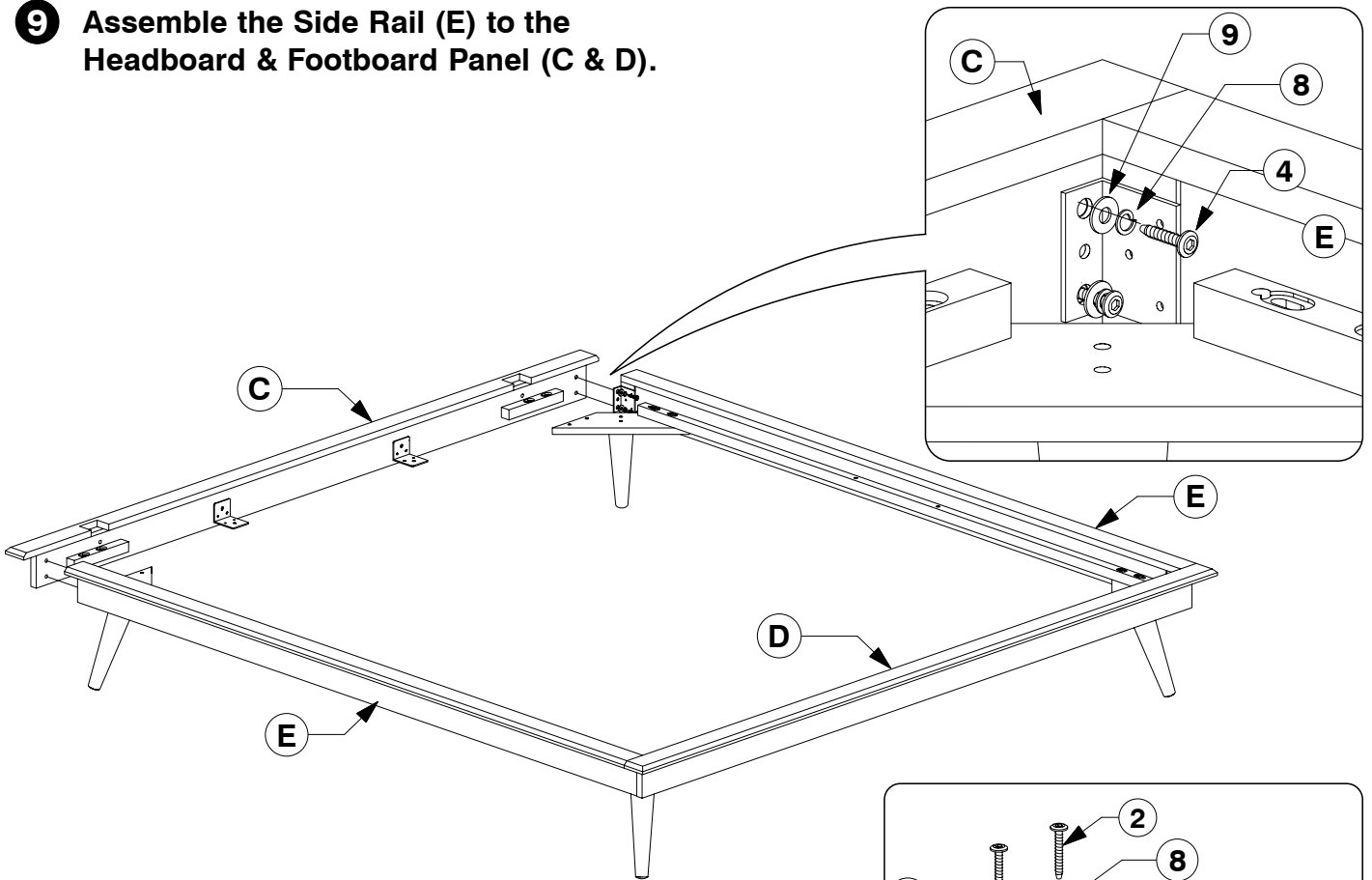
**7** Fit the Center Rail Bracket to the Footboard Panel (D).



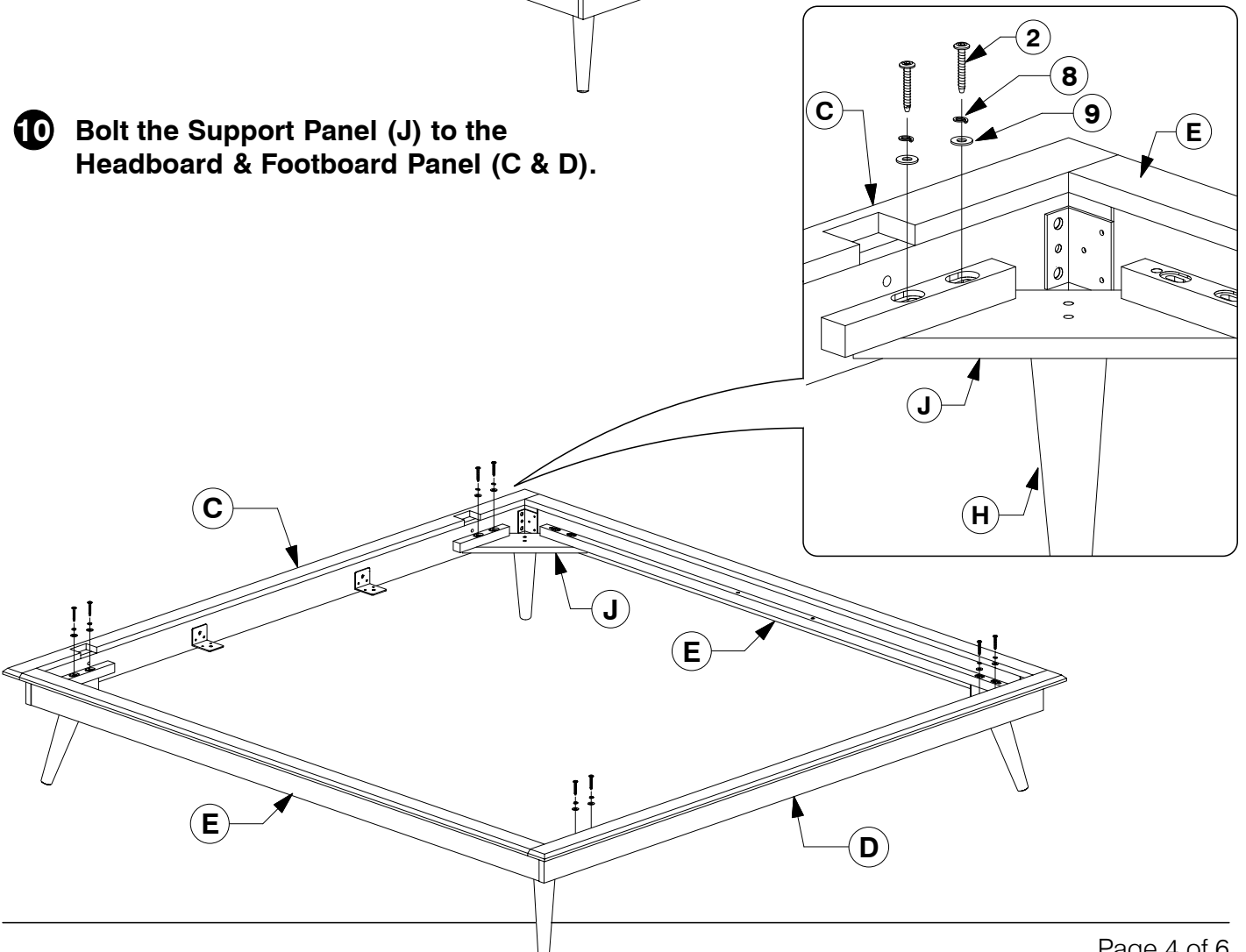
**8** Bolt the Support Panel (H & J) to the Side Rail (E).



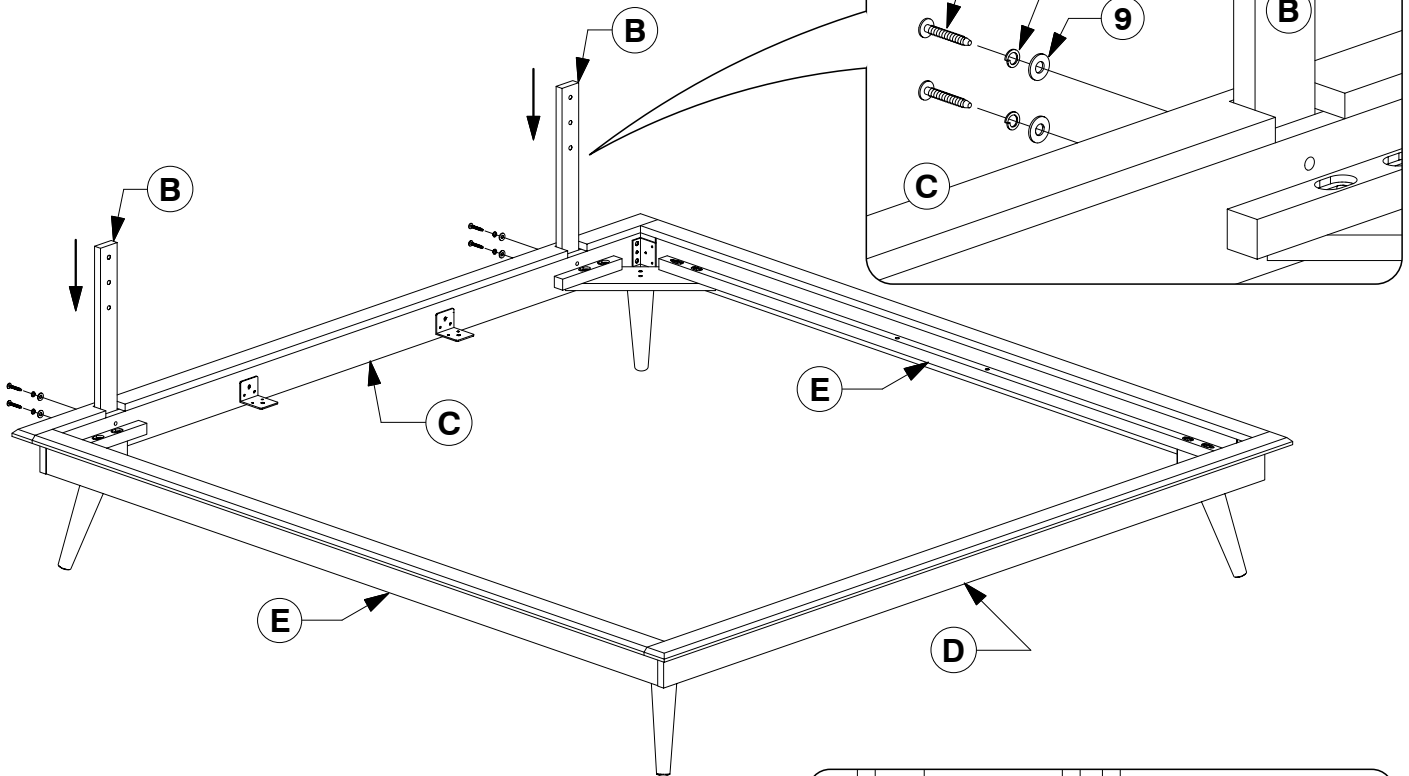
**9 Assemble the Side Rail (E) to the Headboard & Footboard Panel (C & D).**



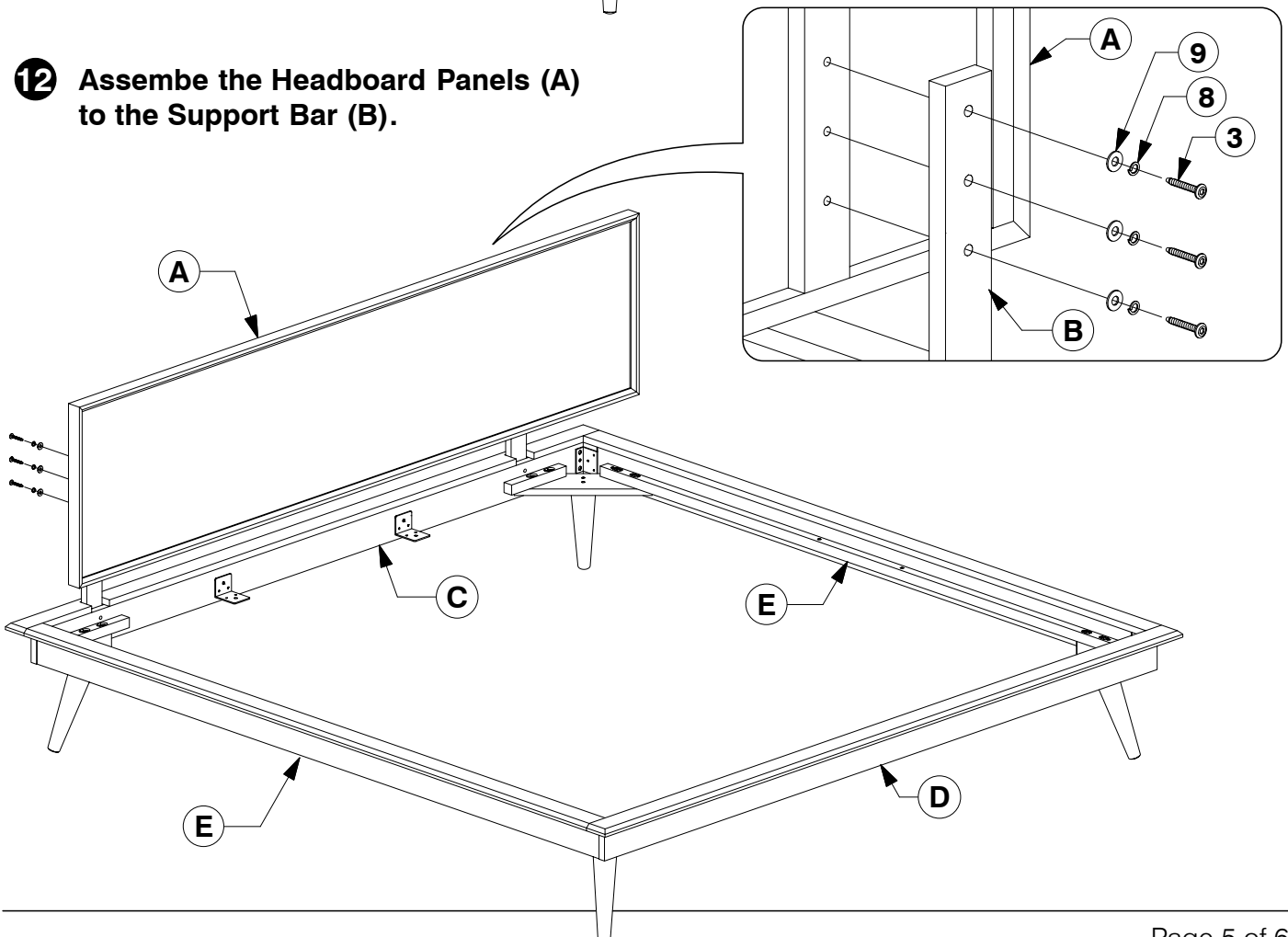
**10 Bolt the Support Panel (J) to the Headboard & Footboard Panel (C & D).**



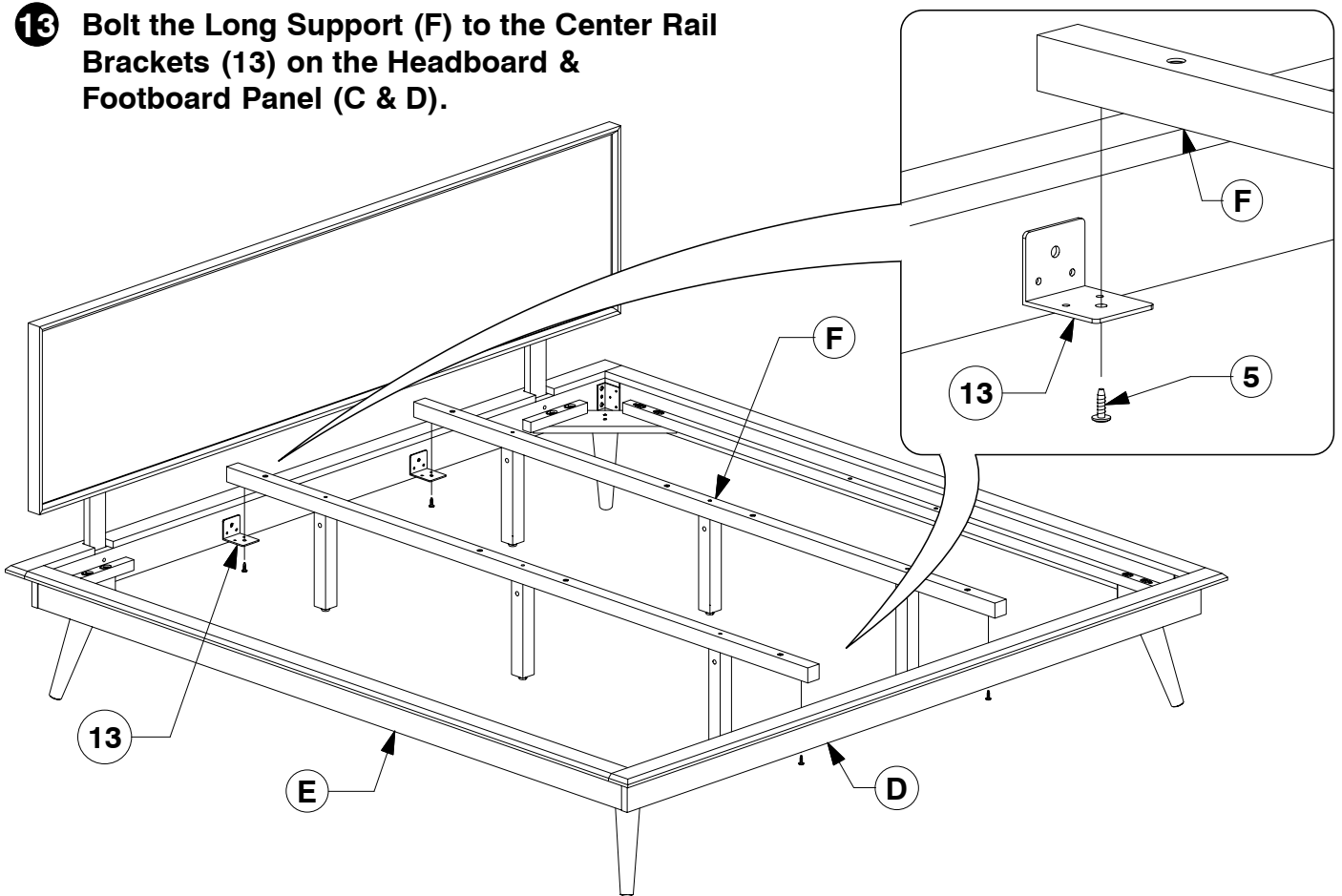
**11** Assemble the Support Bar (B) to the Headboard Panel (C).



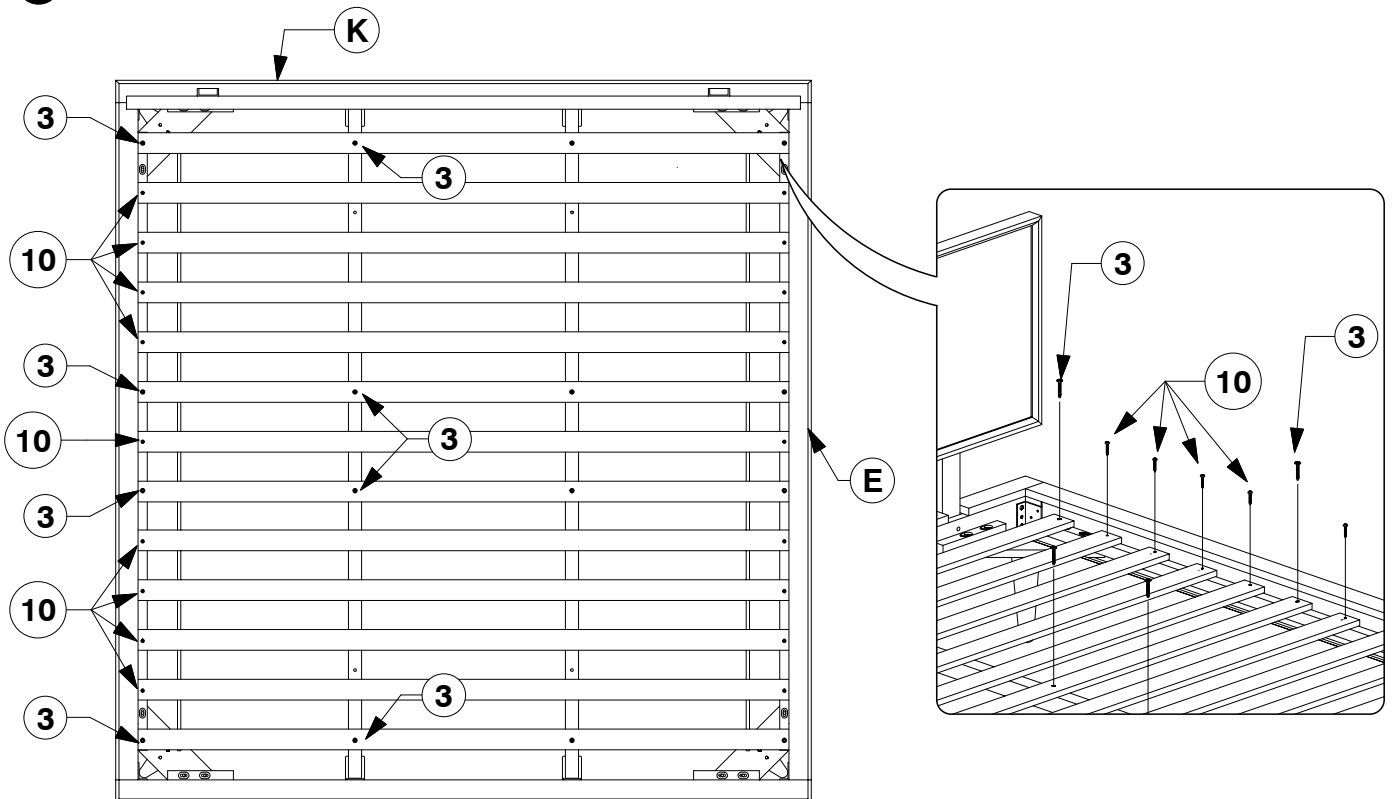
**12** Assemble the Headboard Panels (A) to the Support Bar (B).



- 13** Bolt the Long Support (F) to the Center Rail Brackets (13) on the Headboard & Footboard Panel (C & D).



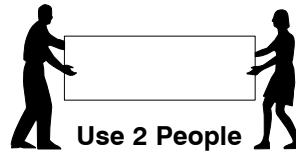
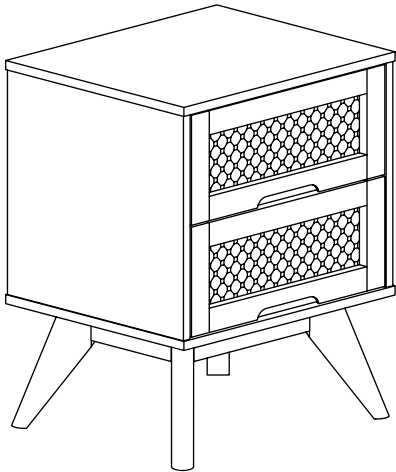
- 14** Bolt & screw the Bed Slats (K) to the Side Rail (E).



# 9001 2 Drawer Nightstand

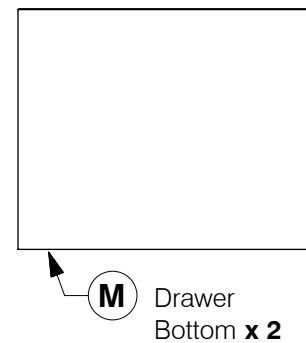
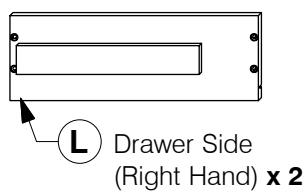
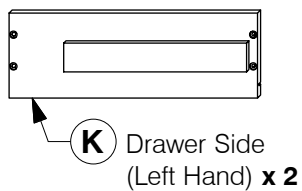
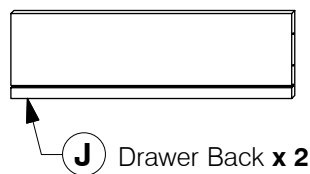
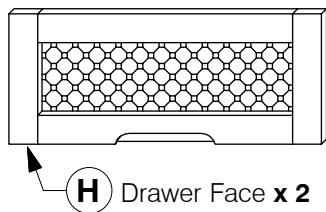
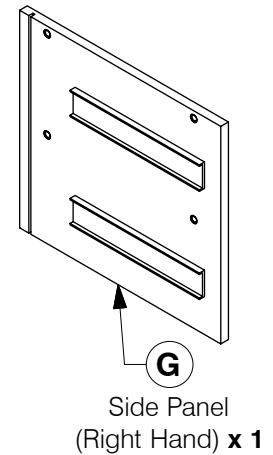
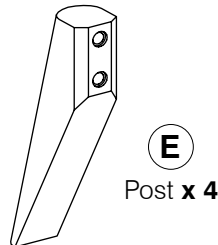
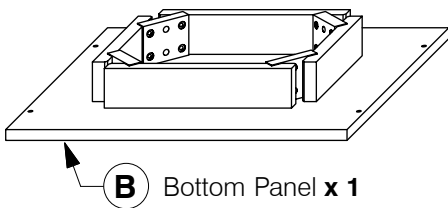
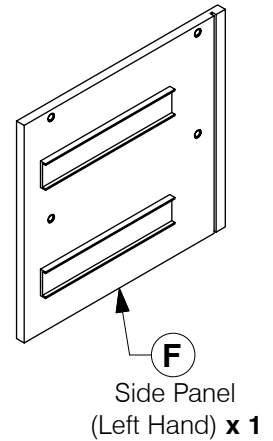
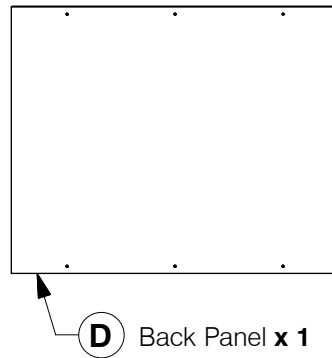
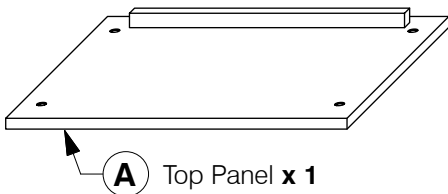
## Assembly Instructions

WI-1220



**Note:** Do not assemble using power tools. This can cause the bolts to be overtightened

### 1 Parts List



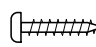
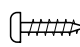

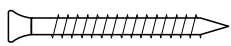






# 9001 2 Drawer Nightstand

## Assembly Instructions

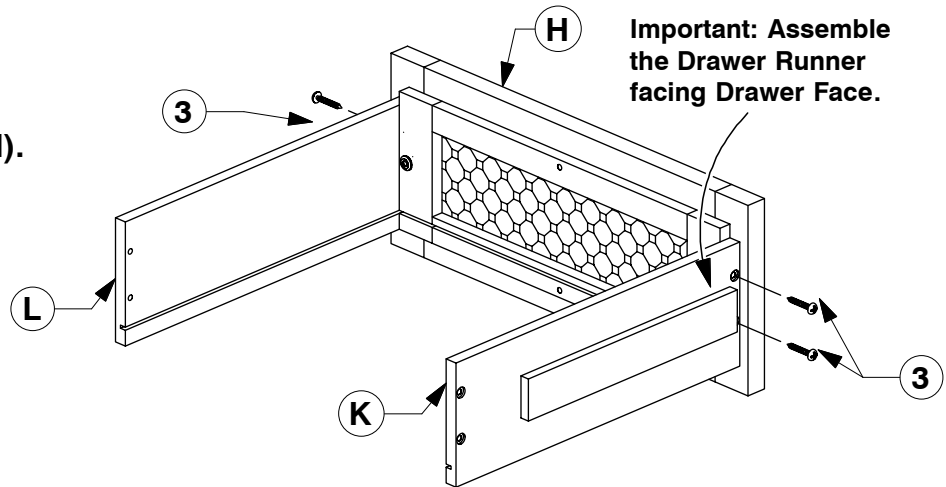
WI-1220

### 2 Hardware List

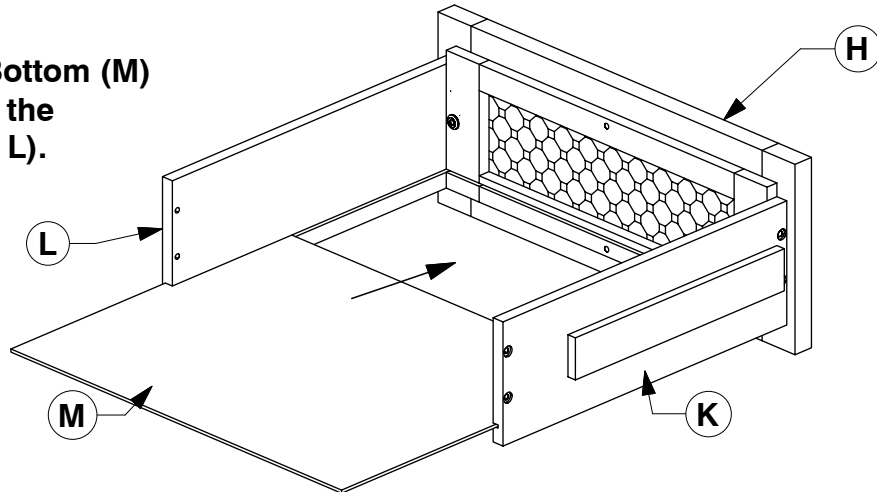
- |  |   |   |  |  |
|--|---|---|--|--|
| <br>① M6 x 15mm<br>JCB x 16                 | <br>② M6 x 60mm<br>JCB x 8 | <br>③ M4 x 25mm<br>Wood Screw x 16 | <br>④ M4 x 20mm<br>Wood Screw x 4 | <br>⑤ M4 x 16mm<br>Wood Screw x 6 |
| <br>⑥ CSK Cap Wood Screw<br>(M6 x 50mm) x 4 | <br>⑦ Spring<br>Washer x 8 | <br>⑧ Flat Washer<br>x 8           | <br>⑨ 'L' Bracket<br>(5005-3) x 8 | <br>⑩ Allen Key<br>x 1            |

### 3 Assemble the Drawer Sides (K & L) to the Drawer Face (H).

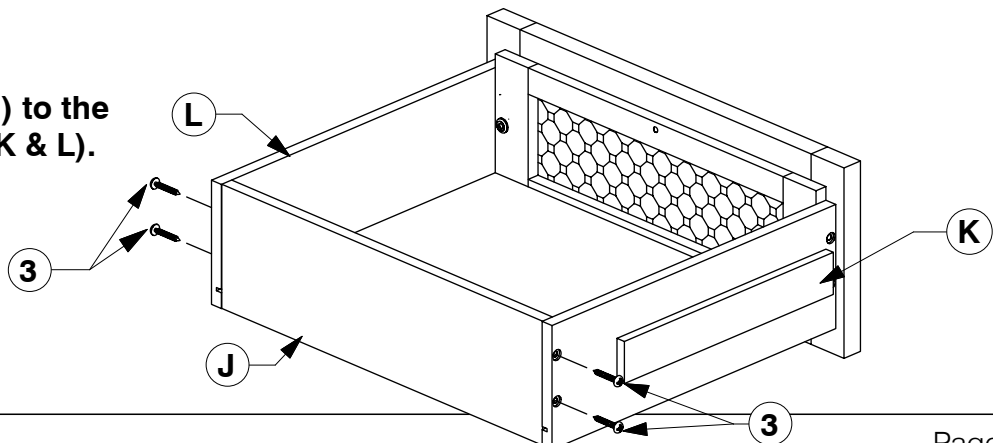
x2



### 4 Slide the Drawer Bottom (M) into the groove on the Drawer Sides (K & L).



### 5 Assemble the Drawer Back (J) to the Drawer Sides (K & L).



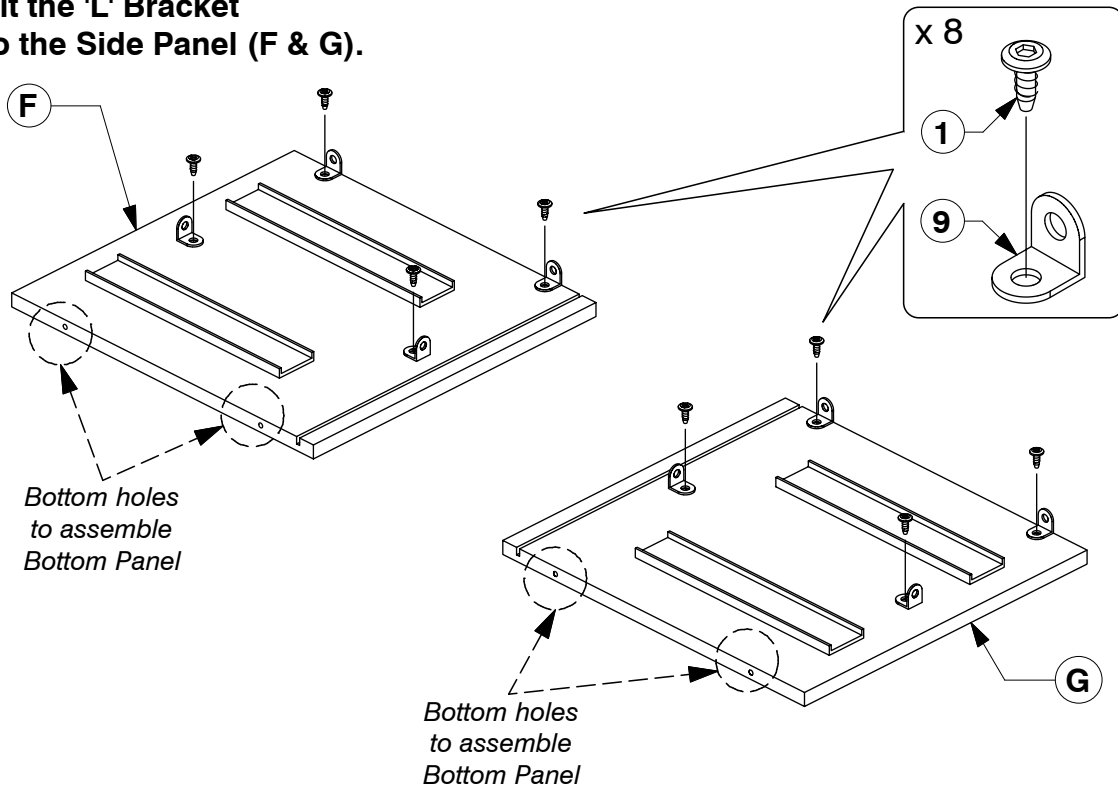


# 9001 2 Drawer Nightstand

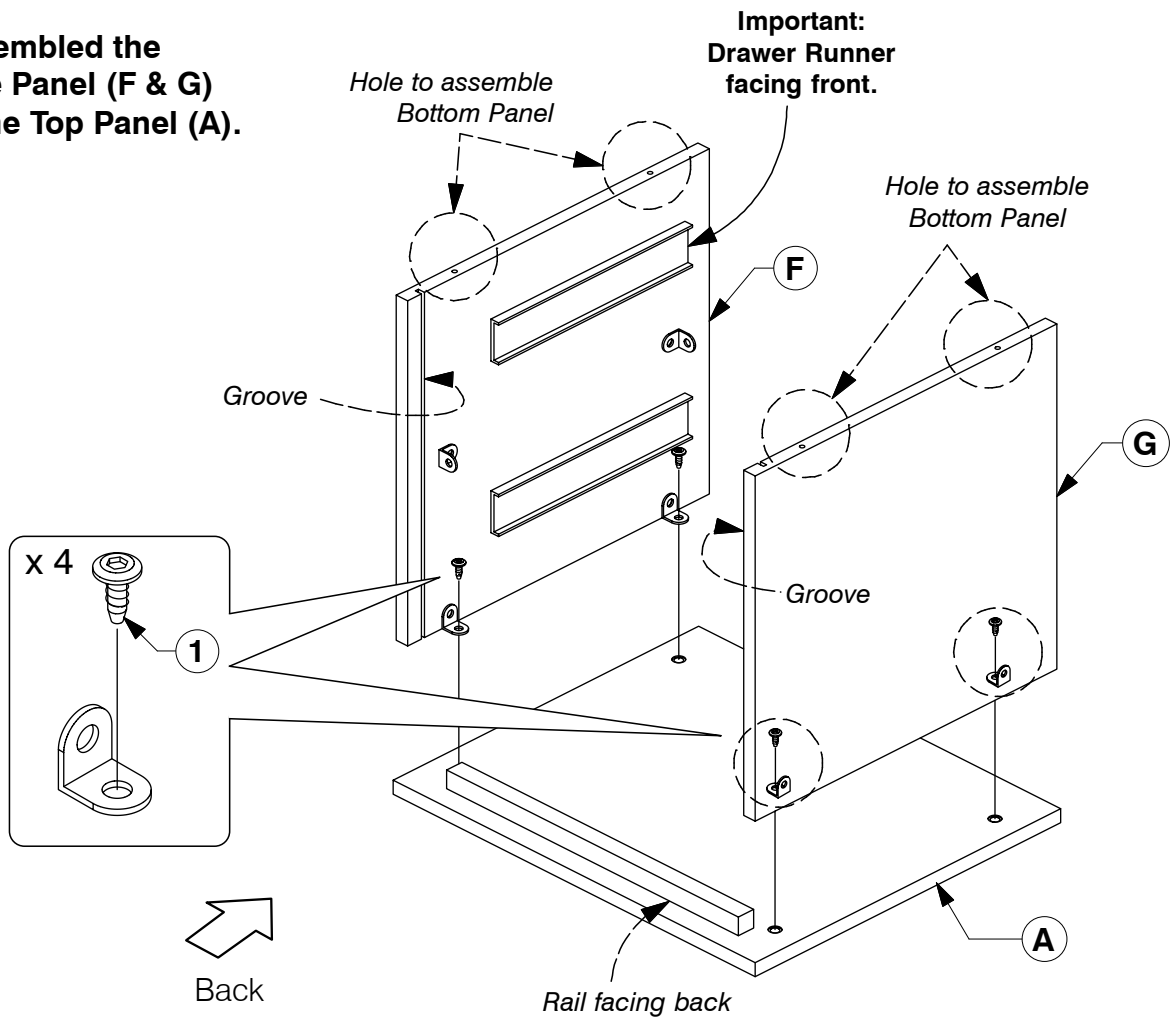
## Assembly Instructions

WI-1220

### 6 Fit the 'L' Bracket to the Side Panel (F & G).



### 7 Assembled the Side Panel (F & G) to the Top Panel (A).

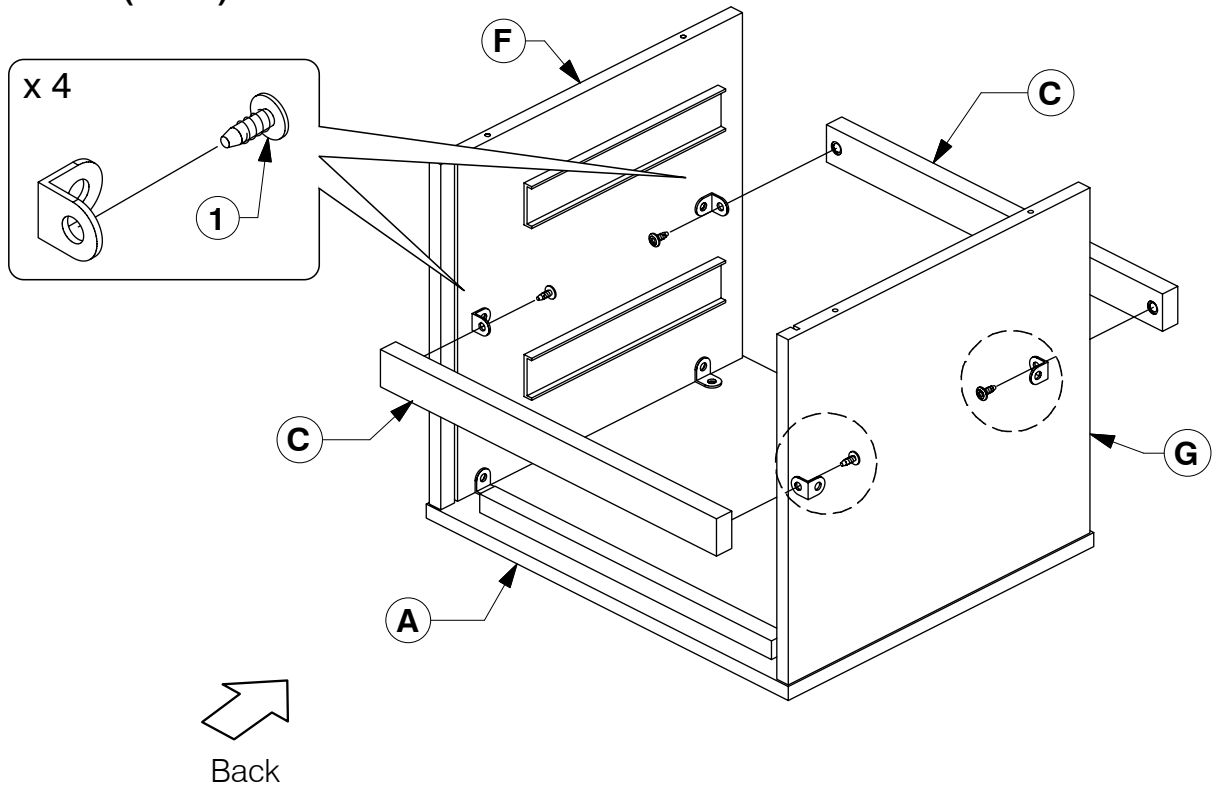


# 9001 2 Drawer Nightstand

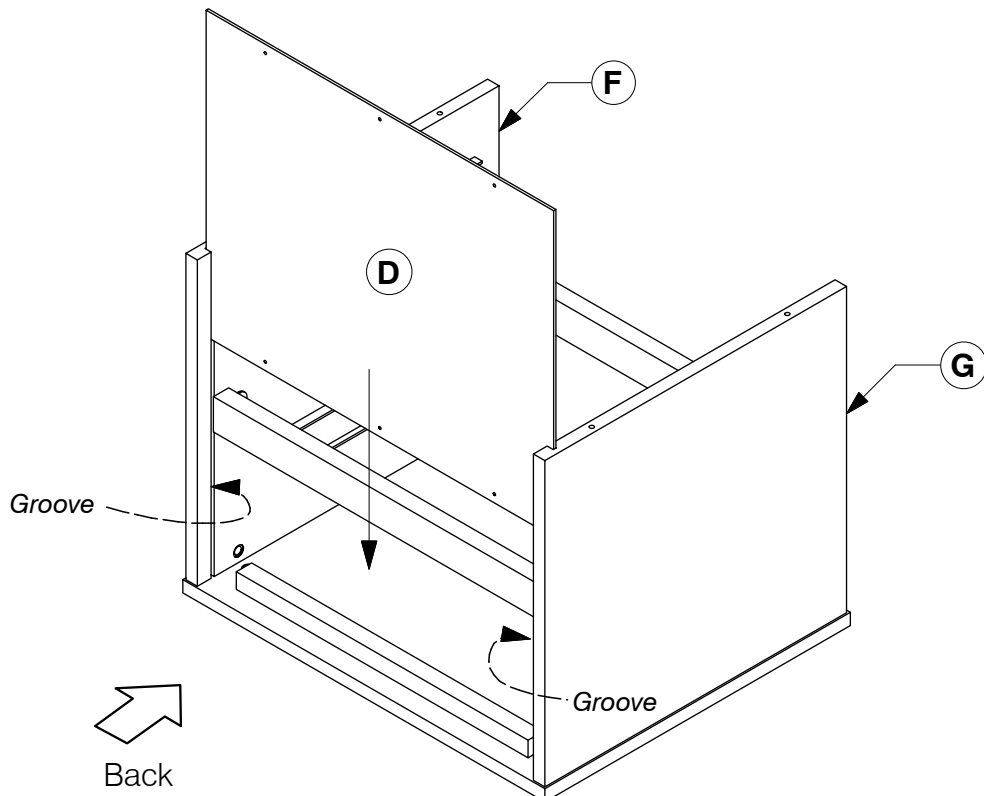
## Assembly Instructions

WI-1220

- 8** Fit the Support Bar (C) to the Side Panel (F & G).



- 9** Slide the Back Panel (D) into the groove on the back of the Side Panel (F & G).

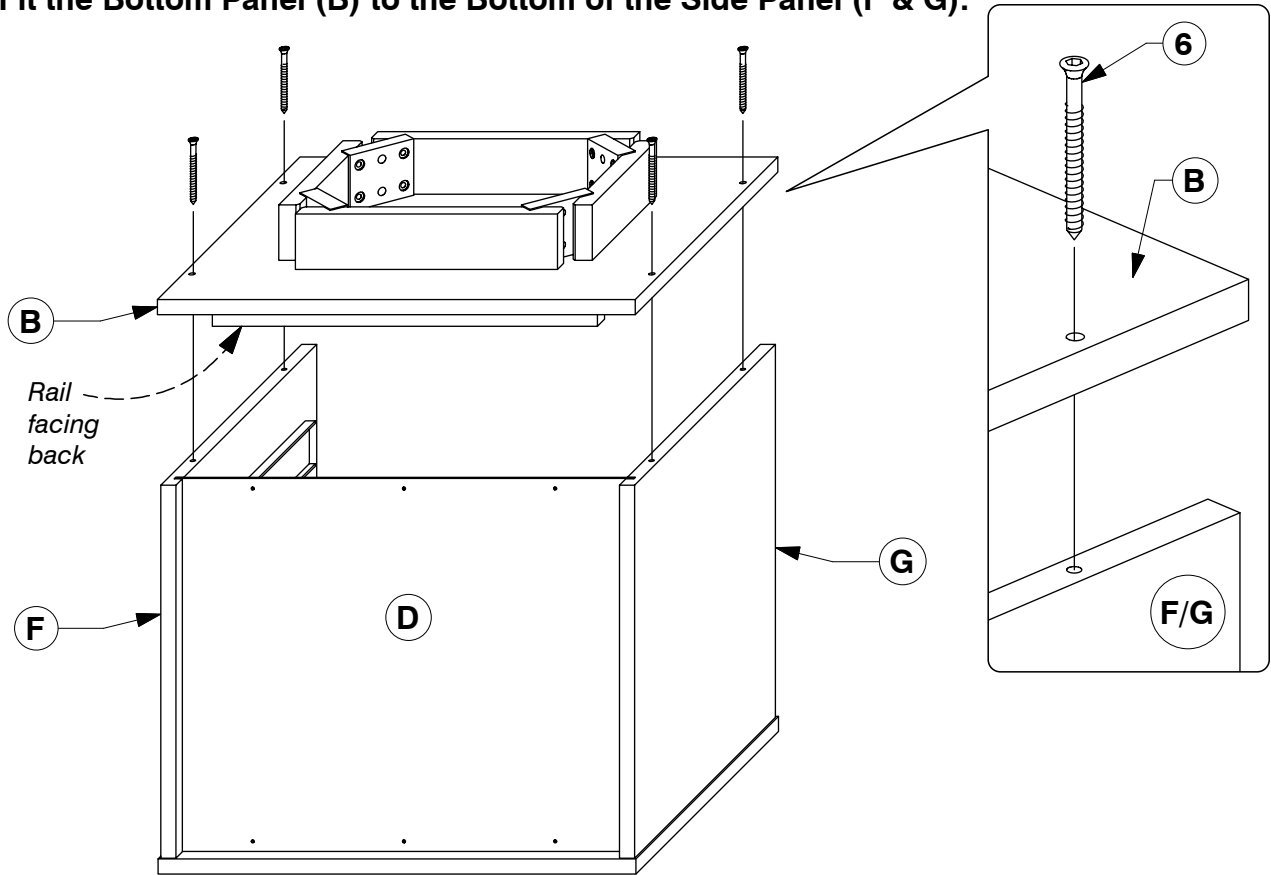


# 9001 2 Drawer Nightstand

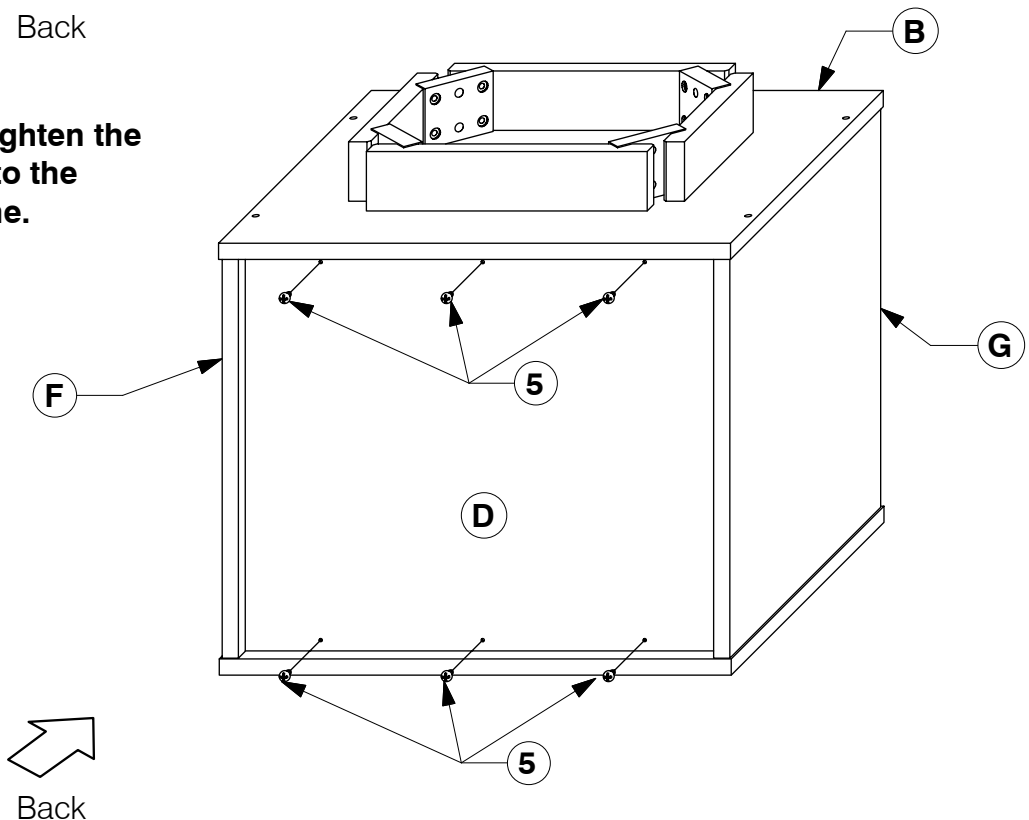
## Assembly Instructions

WI-1220

- 10** Fit the Bottom Panel (B) to the Bottom of the Side Panel (F & G).



- 11** Use screws to tighten the Back Panel (D) to the back of the frame.

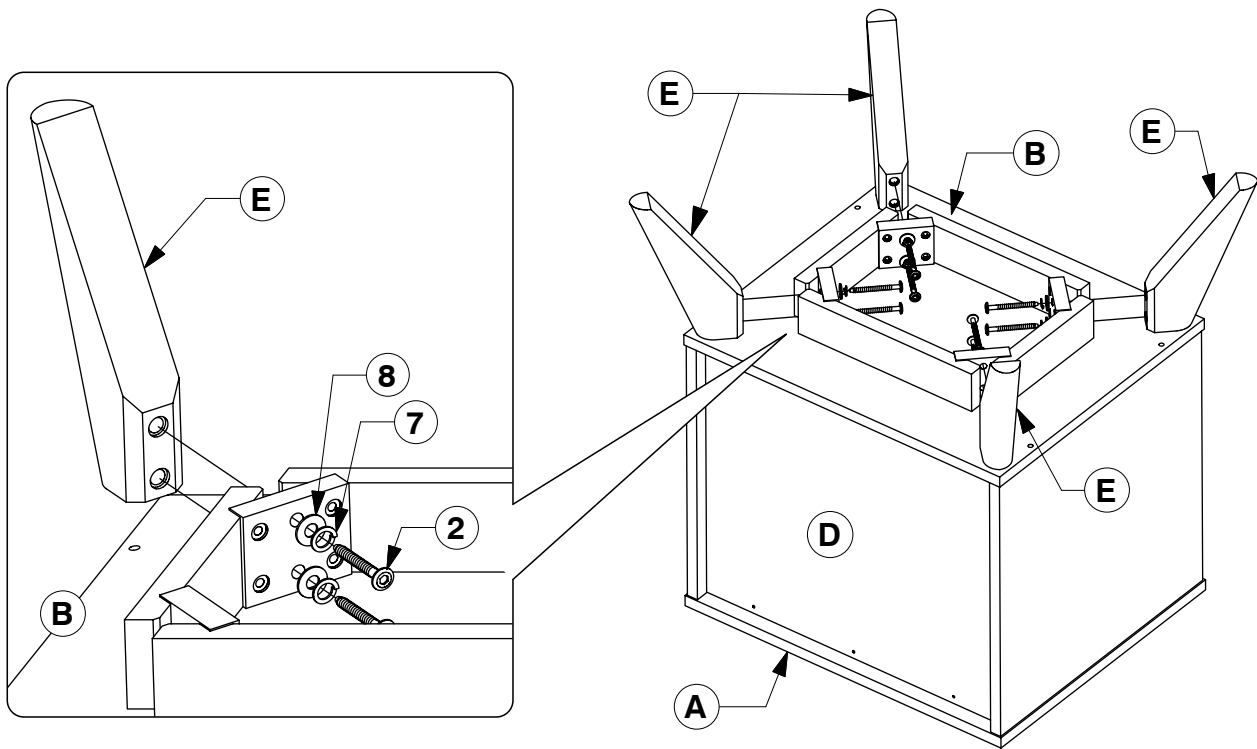


# 9001 2 Drawer Nightstand

## Assembly Instructions

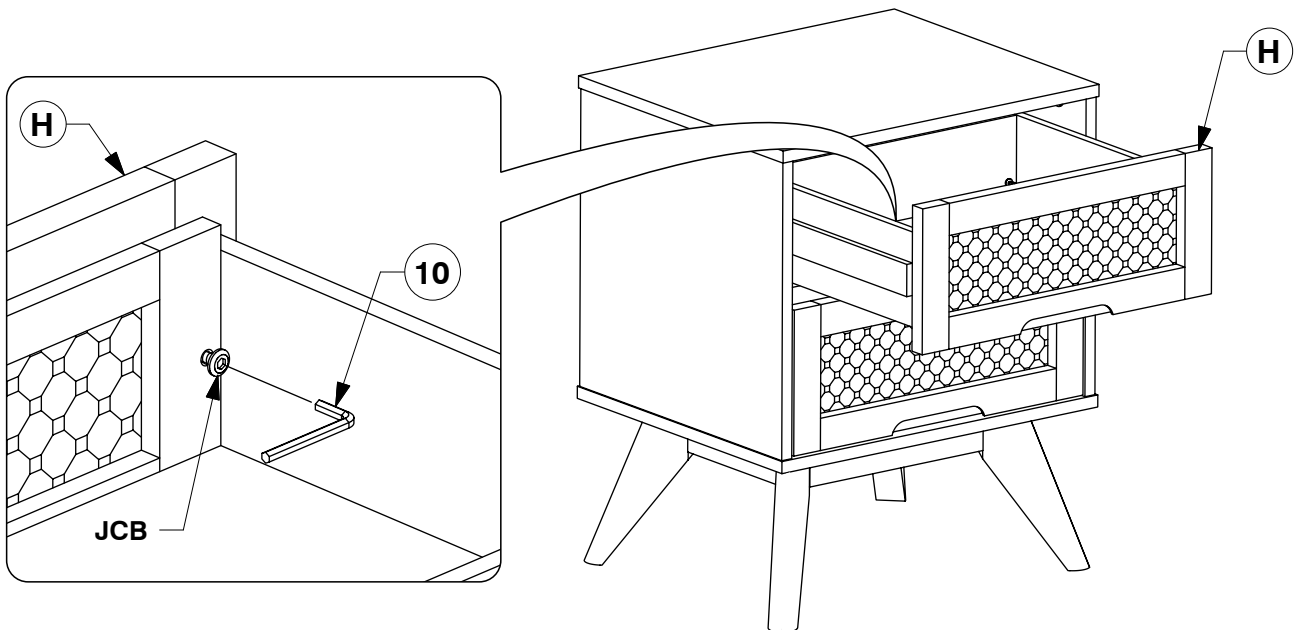
WI-1220

### 12 Fit the Post (E) to the Bottom Panel (B).



### 13 Fit and adjust the Drawer Face (H).

\* NOTE: Before fitting the Wood Screws.  
Loosen the JCBs on the Drawer Face if  
the face needs alignment.



# 9001 2 Drawer Nightstand

## Assembly Instructions

WI-1220

- 14** After the Drawer Faces (H) are aligned, secure with wood screws.

