







Read this instruction carefully. See hardware and furniture part list for guidance.  
 Be sure all parts are complete before assembly. Place all wooden furniture parts on a clean and flat soft surface to prevent from being scratched.  
 Follow the figure to start assembling.

**CAUTION :** 1. Do not FULLY - TIGHTEN the nuts or nuts bolts until they are ready for assembly.  
 2. Do not OVER - TIGHTEN the nuts or bolts to avoid causing damages to the thread.  
 3. Keep all hardware parts out of reach of children.

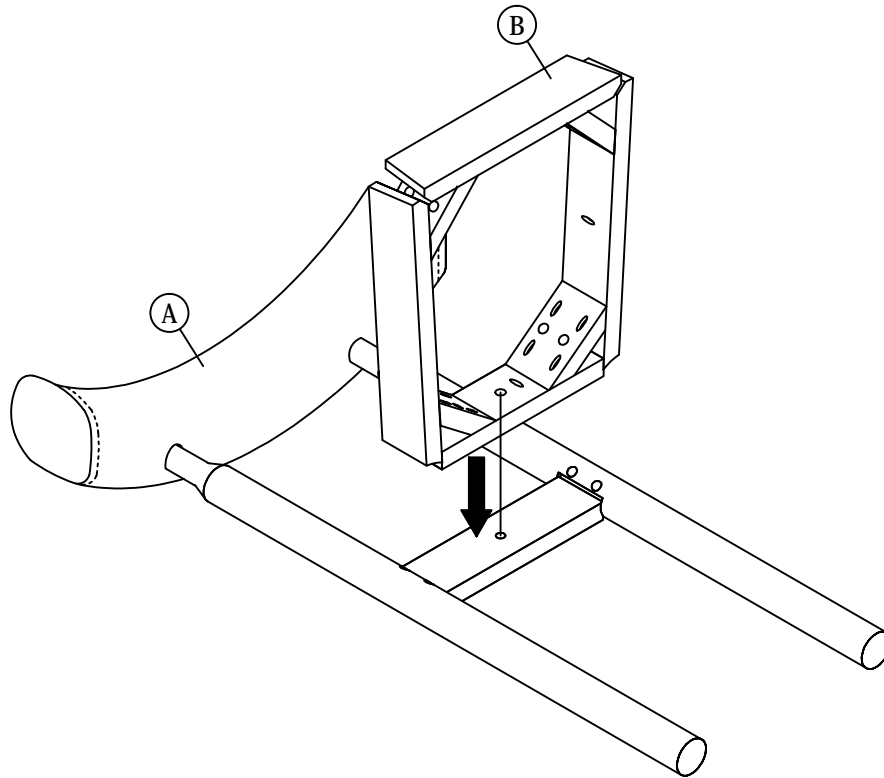
**NOTE :** THE LIST AND QUANTITY SHOWN ARE FOR 1 UNIT ASSEMBLY.

Tools needed : Screwdriver (not provided).

PART LIST			
ITEM	DESCRIPTION	BOX	QTY
A	BACK	1	1 PC
B	SEAT FRAME	1	1 PC
C	LEG FRONT	1	2 PCS
D	CUHSION	1	1 PC

HARDWARE LIST (BOX : 1)		
ITEM	DESCRIPTION	QTY
1	JCBC BOLT M6 x 80mm 	8 PCS
2	JCBC BOLT M6 x 35mm 	1 PC
3	M6 FLAT WASHER 	9 PCS
4	M6 SPRING WASHER 	9 PCS
5	WOOD SCREW M4 x 30mm 	4 PCS
6	M4 ALLEN KEY (BALL SHAPE) 	1 PC

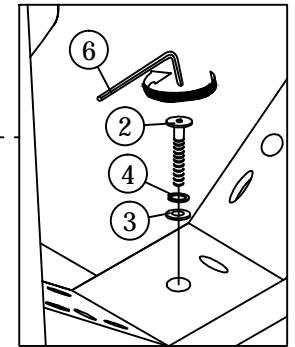
## STEP 1



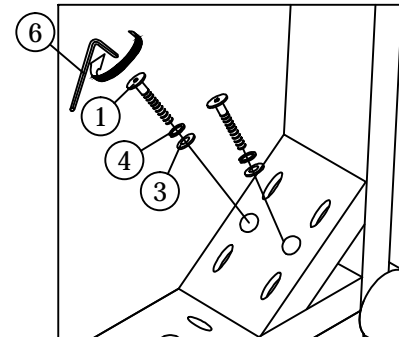
## STEP 2

**Don't screw tight**

### STEP 2.1



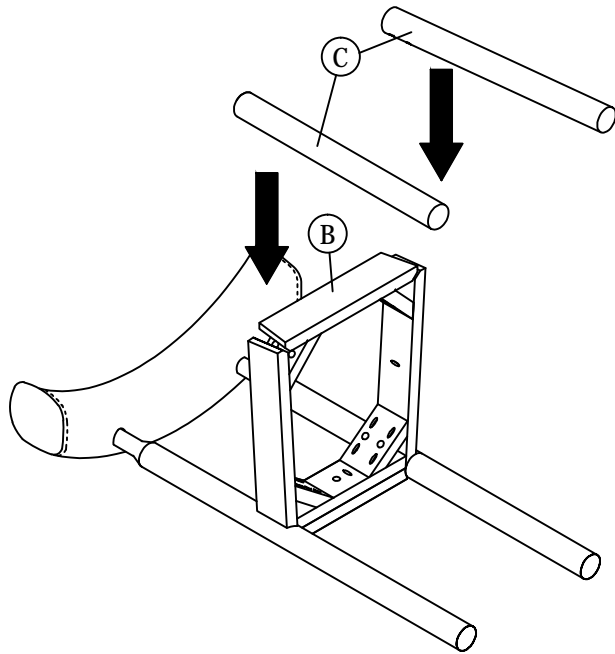
### STEP 2.2



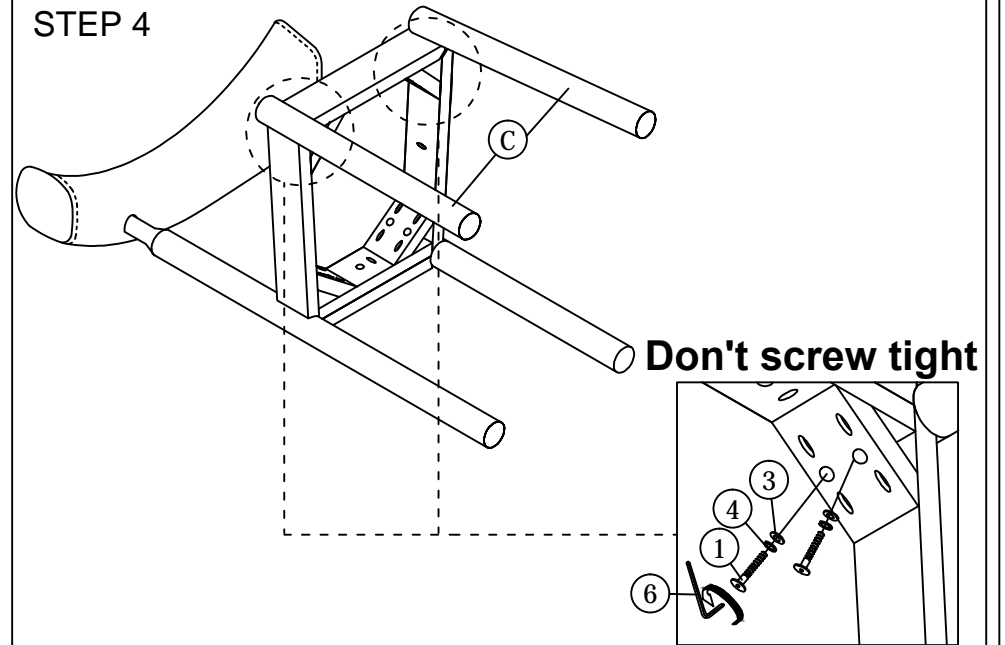
**Don't screw tight**

# ASSEMBLY INSTRUCTIONS

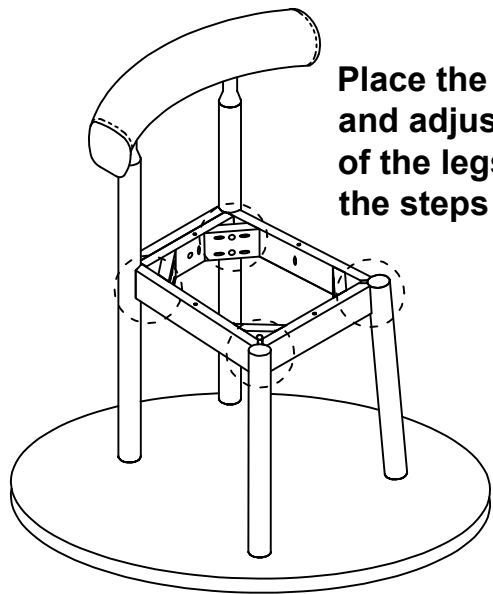
STEP 3



STEP 4

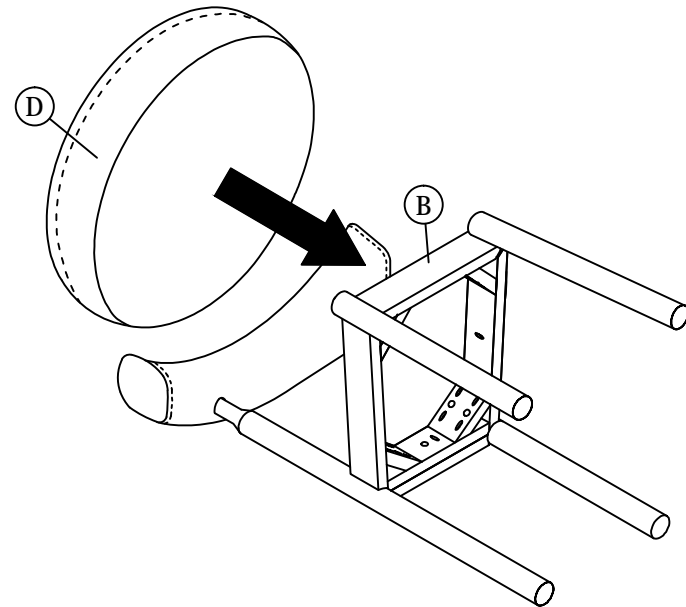


STEP 5



Place the chair on the flat surface and adjust the alignment and balance of the legs then , Please screw tight the steps 2 , 4 bolts.

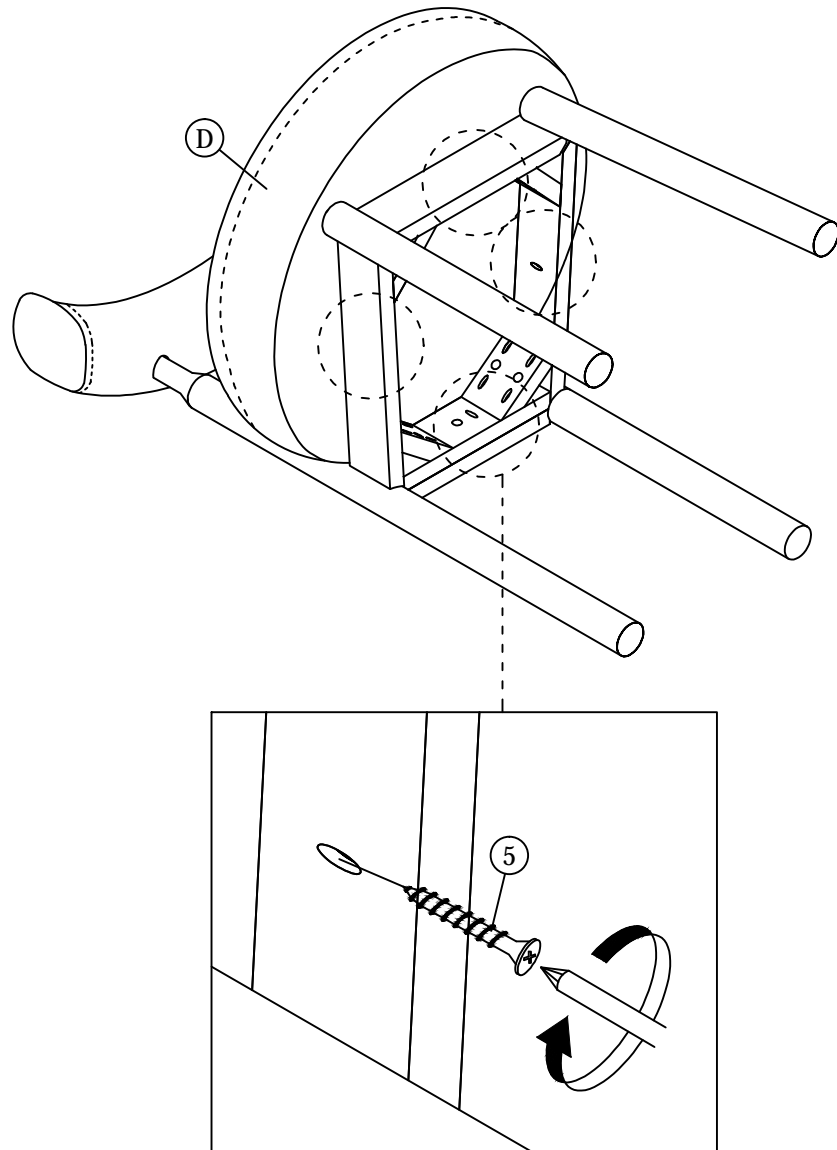
STEP 6



# ASSEMBLY INSTRUCTIONS

3 OF 3

STEP 7



STEP 8

