

Read this instruction carefully. See hardware and furniture part list for guidance.  
 Be sure all parts are complete before assembly. Place all wooden furniture parts on a clean and flat soft surface to prevent from being scratched.  
 Follow the figure to start assembling.

**CAUTION :** 1. Do not FULLY - TIGHTEN the nuts or nuts bolts until they are ready for assembly.  
 2. Do not OVER - TIGHTEN the nuts or bolts to avoid causing damages to the thread.  
 3. Keep all hardware parts out of reach of children.

**NOTE :** THE LIST AND QUANTITY SHOWN ARE FOR 1 UNIT ASSEMBLY.

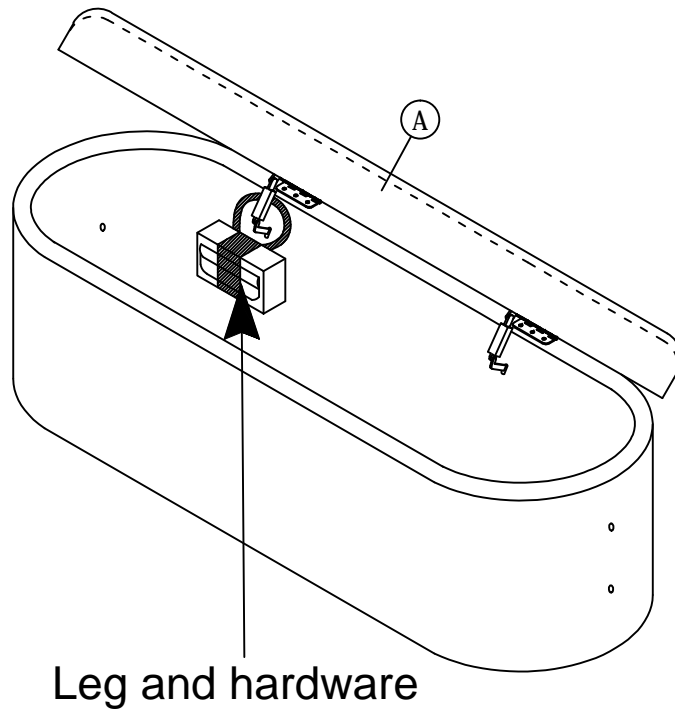
Tools needed : Screwdriver (not provided).

PART LIST			
ITEM	DESCRIPTION	BOX	QTY
A	STORAGE BOX	1	1 PC
B	ARM	1	2 PCS
C	LEG	1	4 PCS

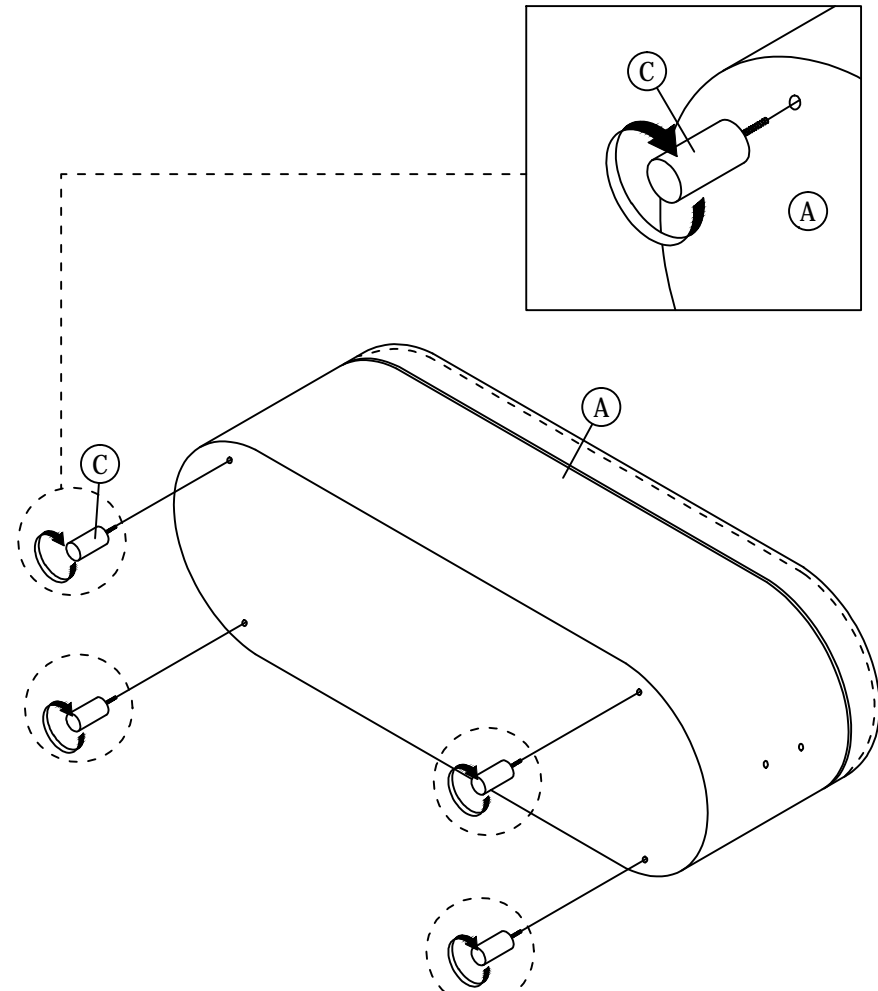
HARDWARE LIST (BOX : 1)		
ITEM	DESCRIPTION	QTY
1	JCBC BOLT M6 x 60mm 	4 PCS
2	M6 FLAT WASHER 	4 PCS
3	M6 SPRING WASHER 	4 PCS
4	M4 ALLEN KEY (BALL SHAPE) 	1 PC

## STEP 1

1.1 Open the storage box cover. After that, take out the leg and hardware.

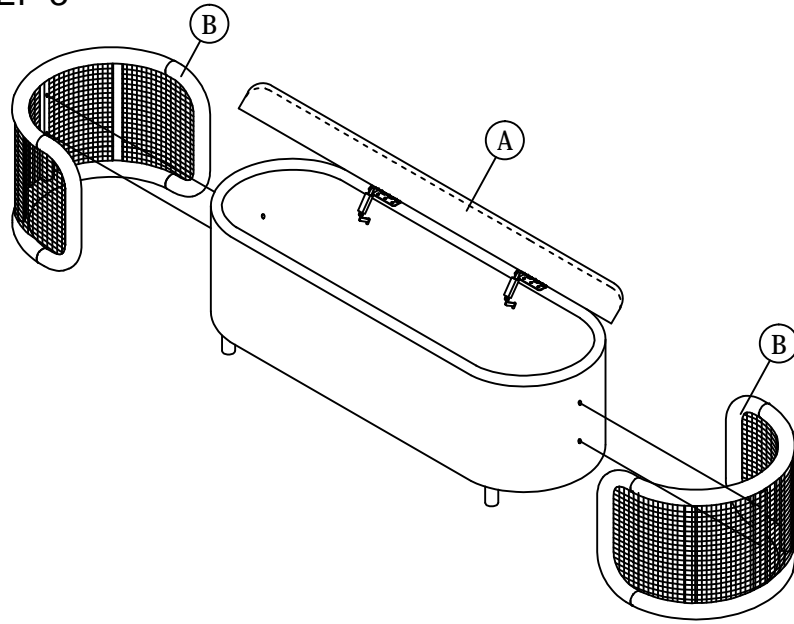


## STEP 2

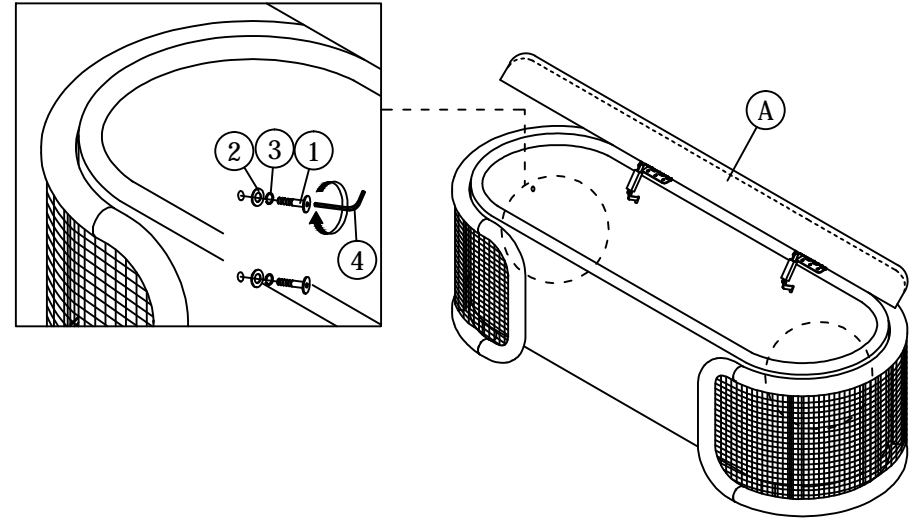


# ASSEMBLY INSTRUCTIONS

STEP 3



STEP 4



STEP 5

