

0005-1 Full / Queen Headboard

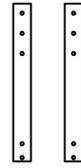
Assembly Instructions

WI-0622

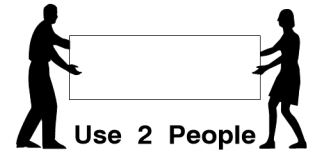
1 Parts List



A Headboard Panel x 1



B Support Bar x 2



2 Hardware List



1 M6 x 35mm JCB
x 10



2 Spring Washer
x 10



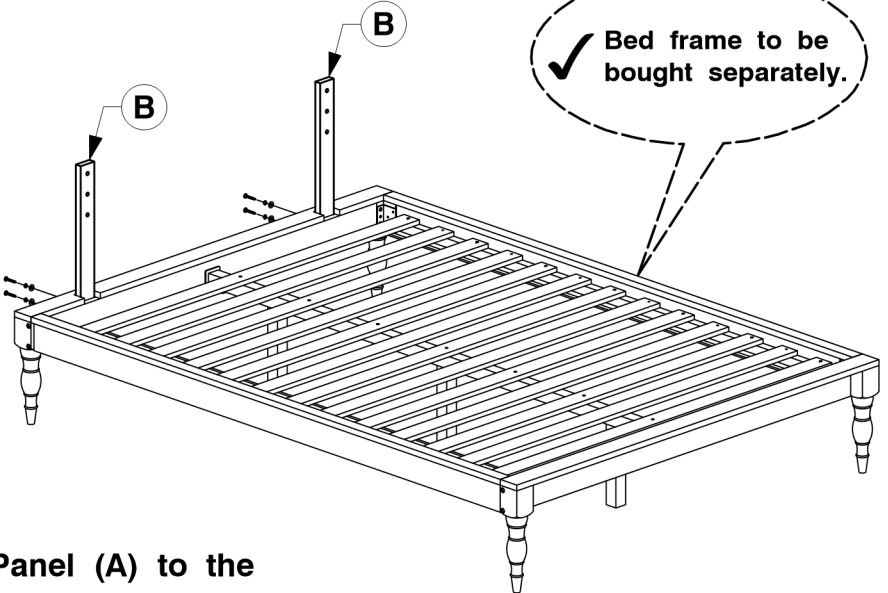
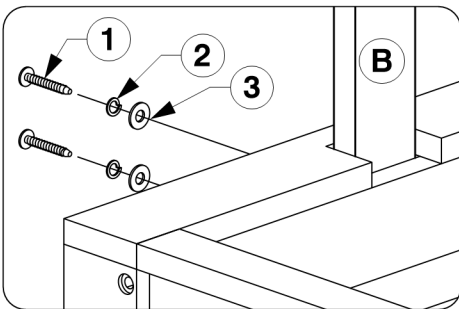
3 Flat Washer
x 10



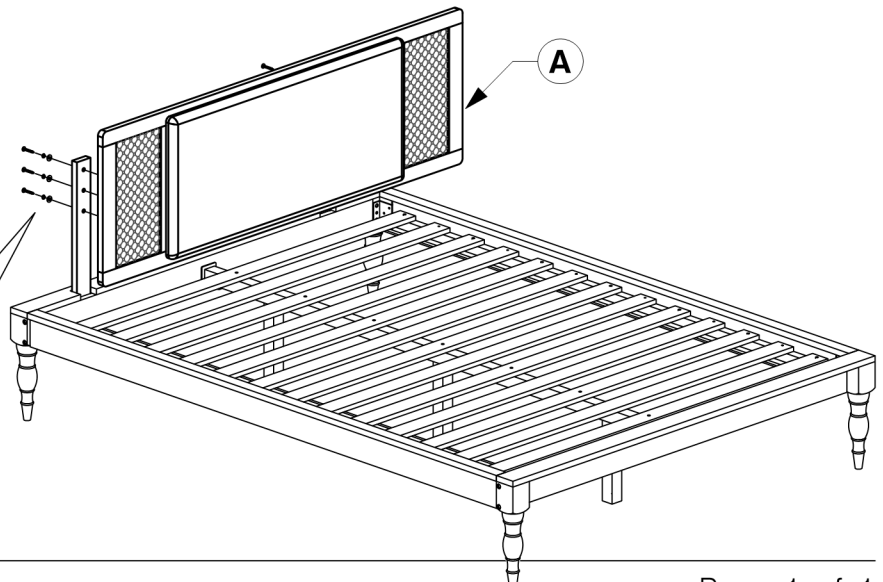
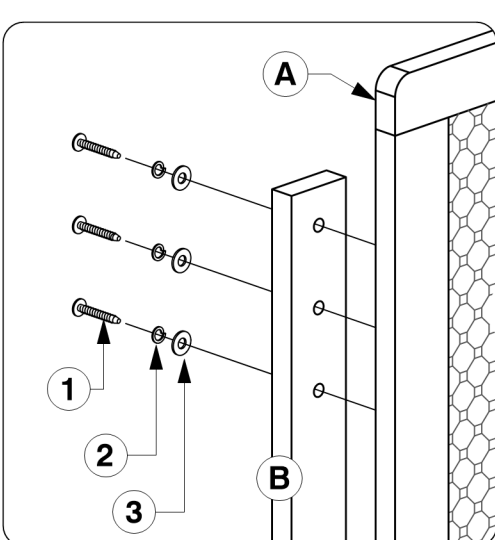
4 Allen Key
x 1

Note: Do not assemble using power tools. This can cause the bolts to be overtightened

3 Assemble the Support Bars (B) to the Headboard Panel.



4 Assemble the Headboard Panel (A) to the Support Bars (B).

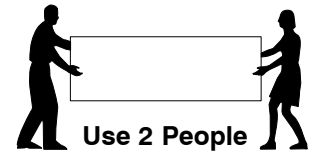
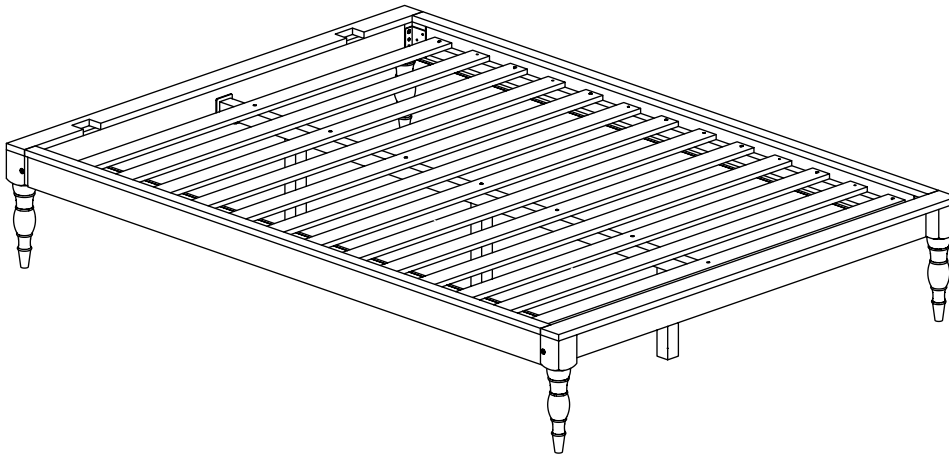


Full Bed

Assembly Instructions

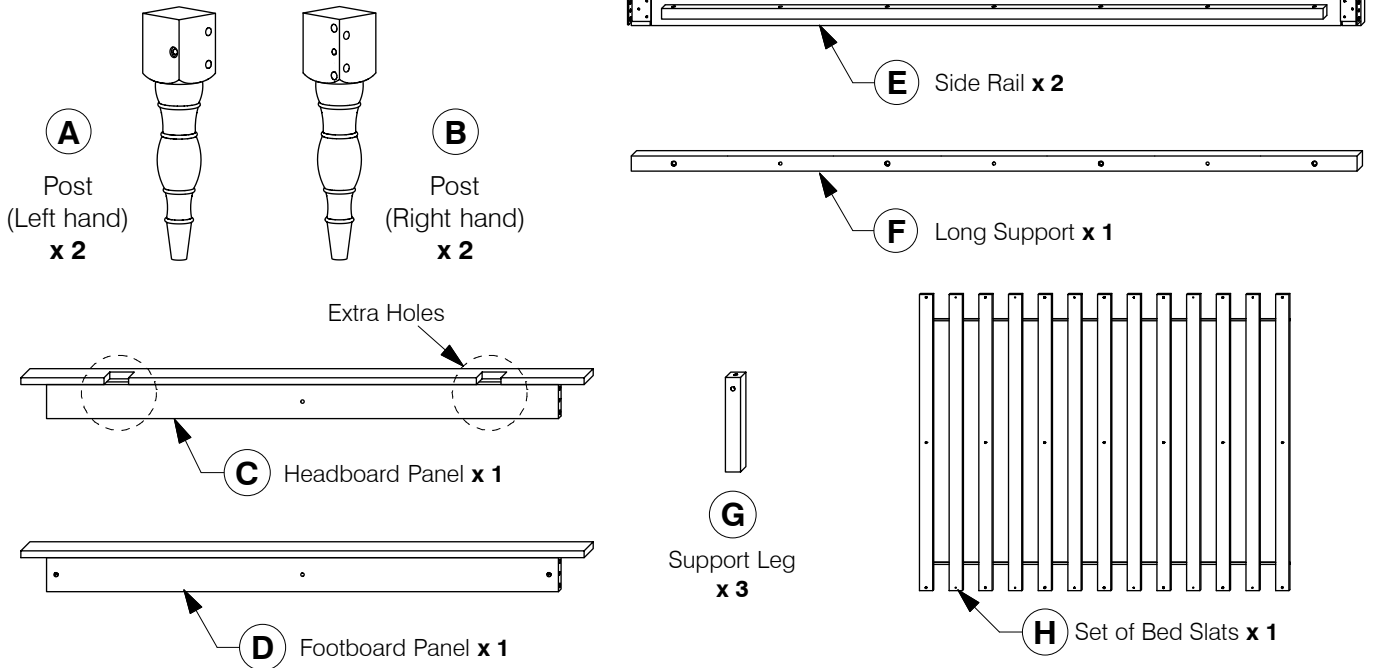
WII-0419

1 Assembled View

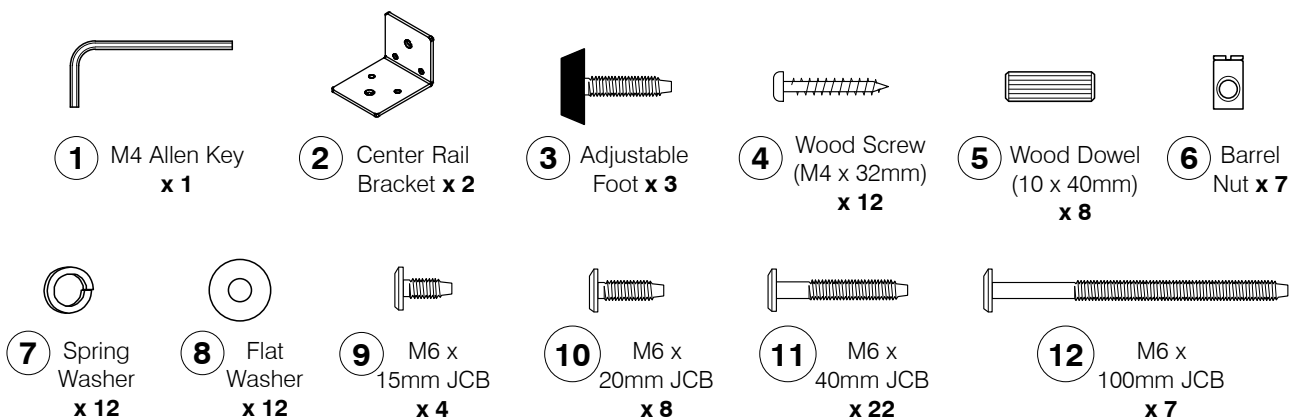


Note: Do not assemble using power tools. This can cause the bolts to be overtightened

2 Parts List



3 Hardware List

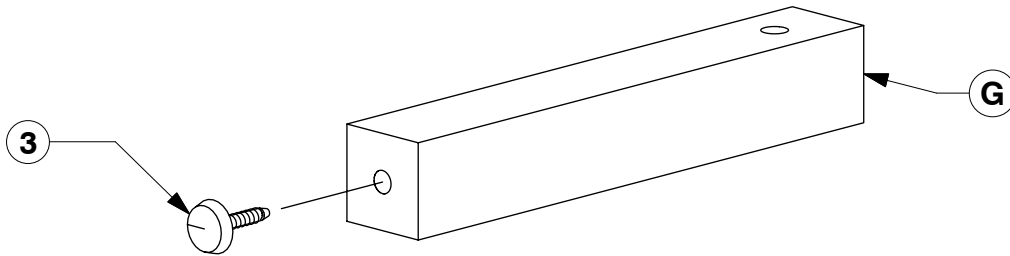


0005 Full Bed

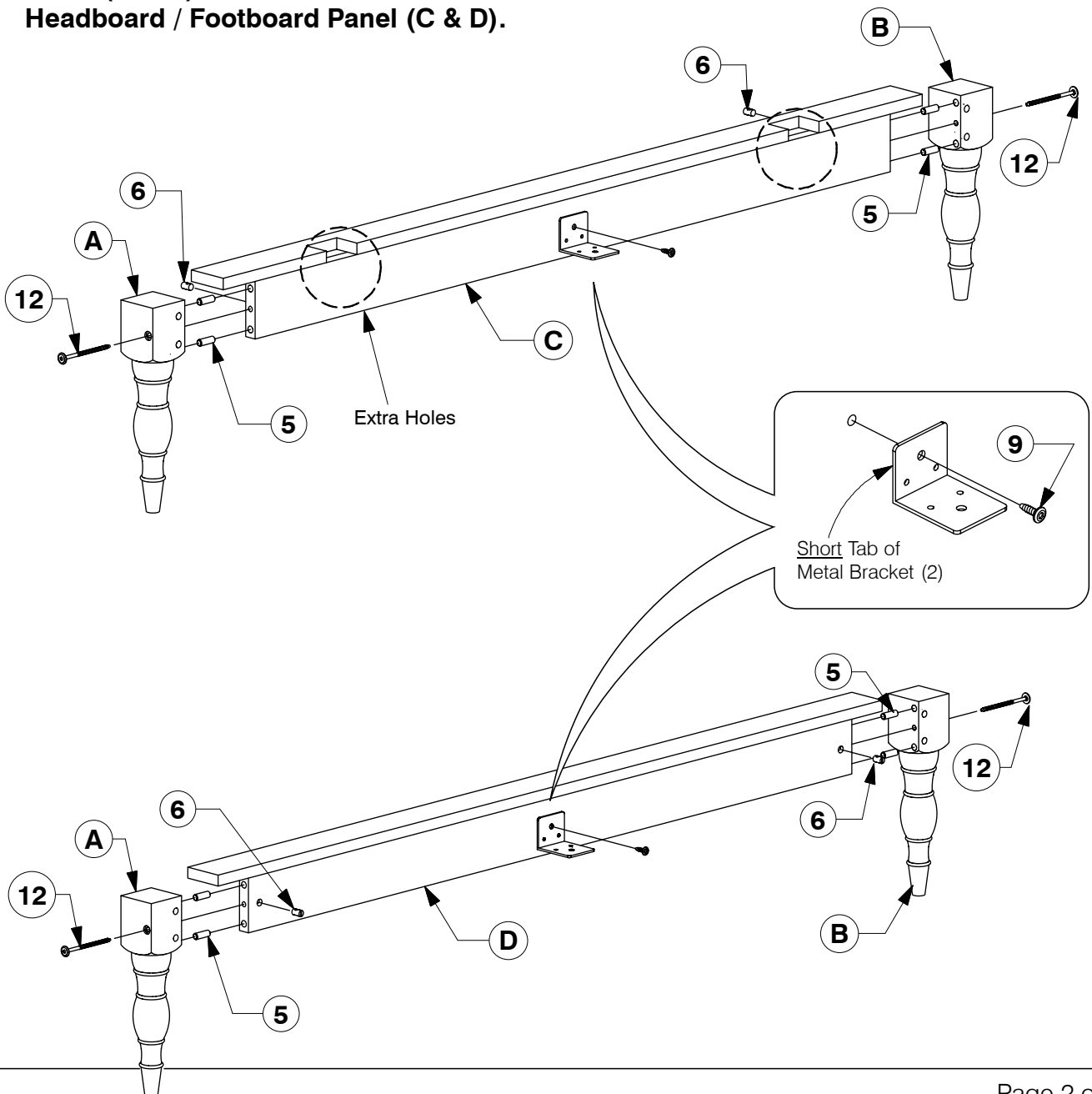
Assembly Instructions

WII-0419

- 4** Fix the Adjustable foot to the bottom of the Support Leg (G).



- 5** Assemble the Post (A & B) to the Headboard / Footboard Panel (C & D). Fit the Center Rail Bracket to the Headboard / Footboard Panel (C & D).

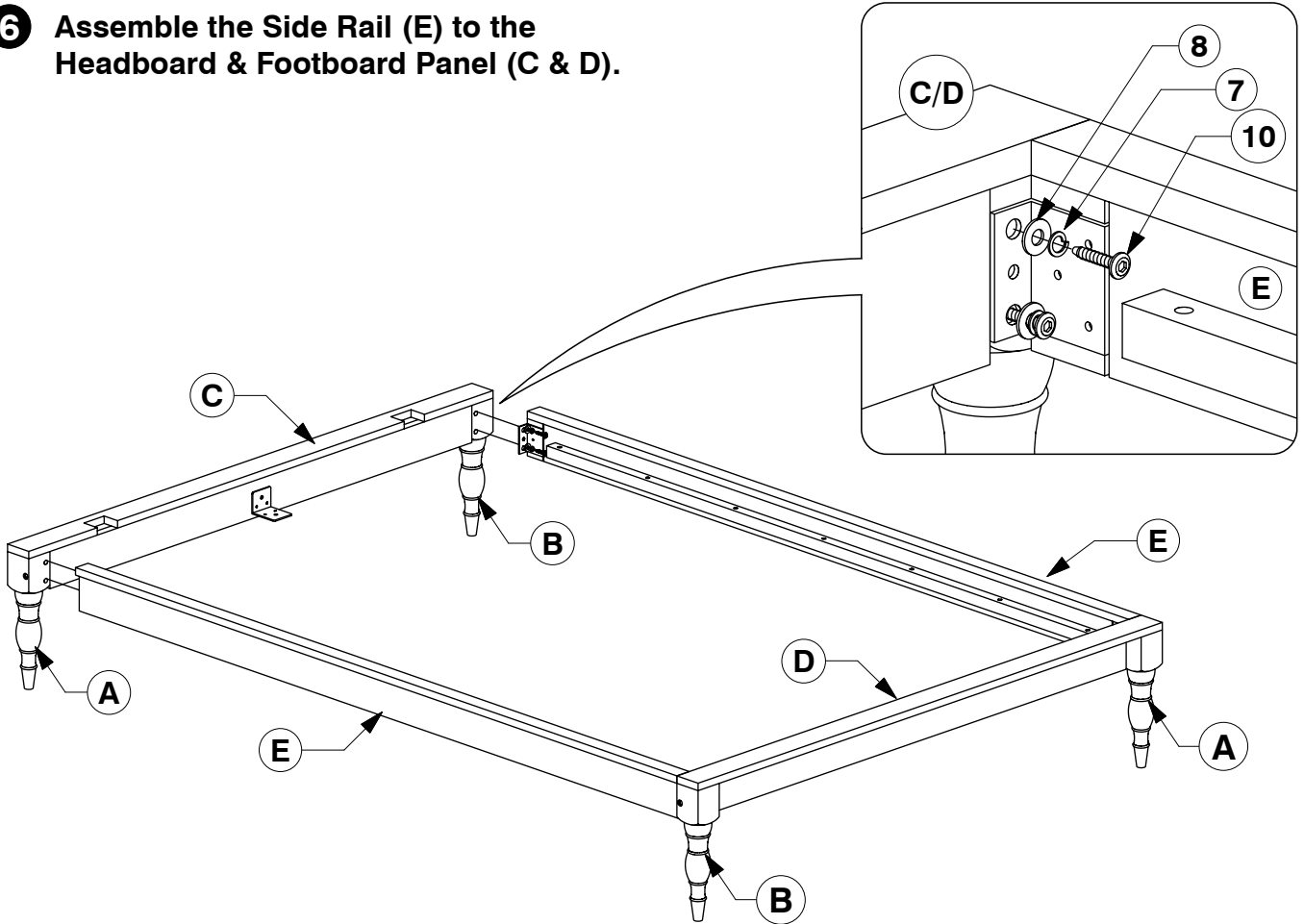


0005 Full Bed

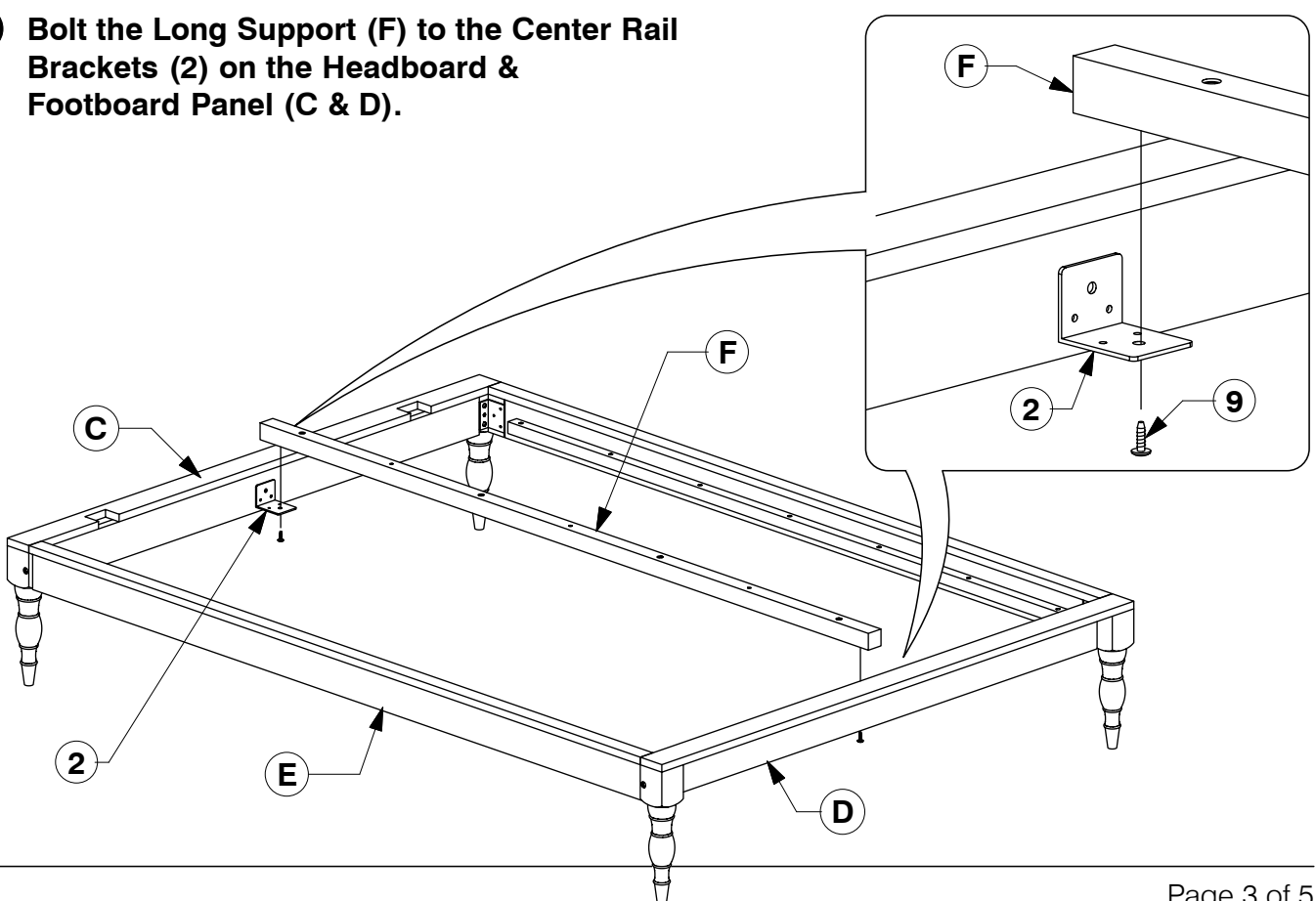
Assembly Instructions

WII-0419

- 6 Assemble the Side Rail (E) to the Headboard & Footboard Panel (C & D).**



- 7 Bolt the Long Support (F) to the Center Rail Brackets (2) on the Headboard & Footboard Panel (C & D).**

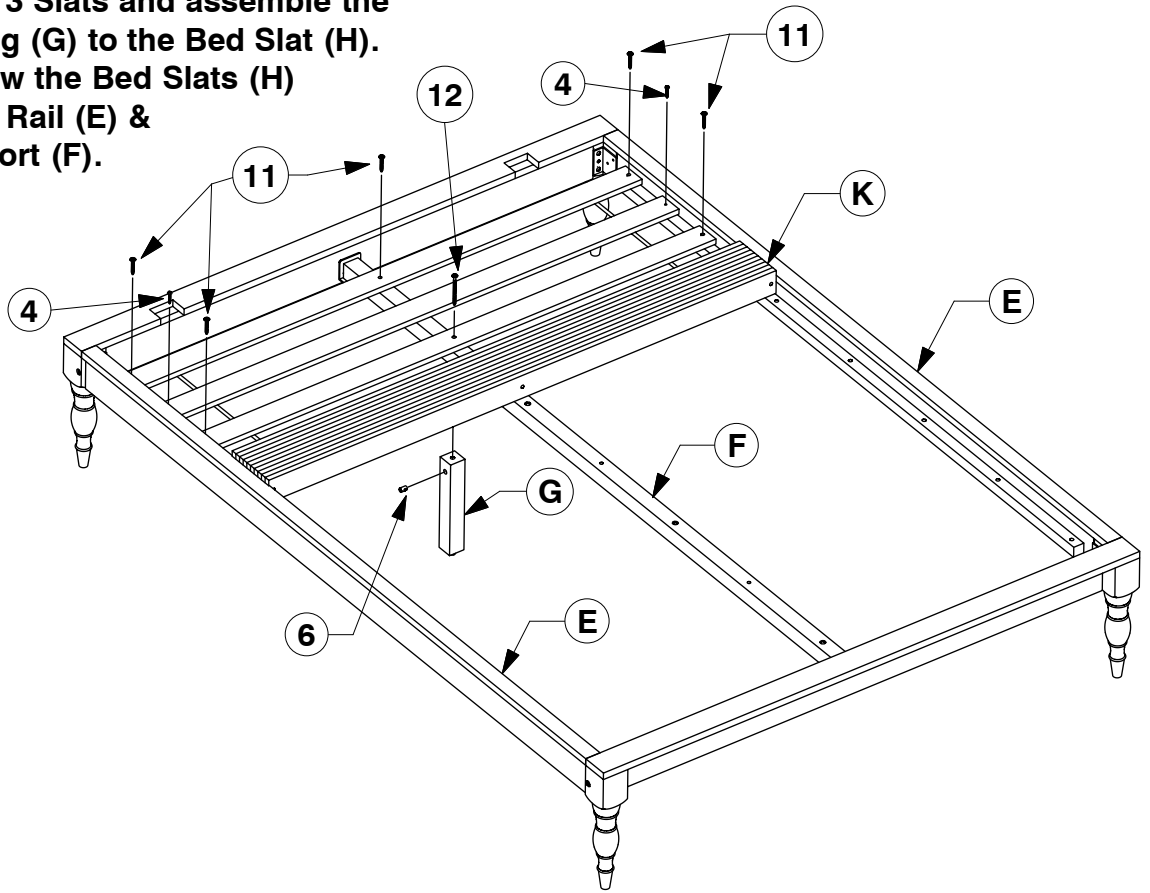


0005 Full Bed

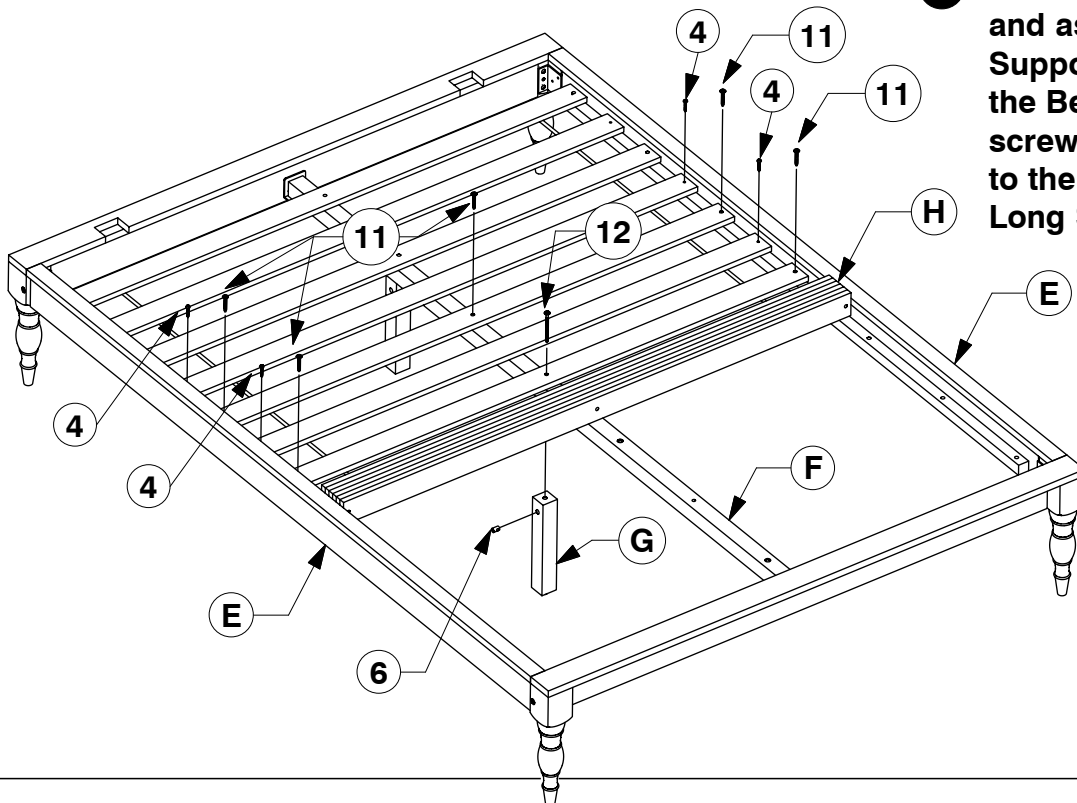
Assembly Instructions

WII-0419

- 8** Fit the first 3 Slats and assemble the Support Leg (G) to the Bed Slat (H). Bolt & screw the Bed Slats (H) to the Side Rail (E) & Long Support (F).



- 9** Fit the other Slats out and assemble the Support Leg (G) to the Bed Slat (H). Bolt & screw the Bed Slats (H) to the Side Rail (E) & Long Support (F).

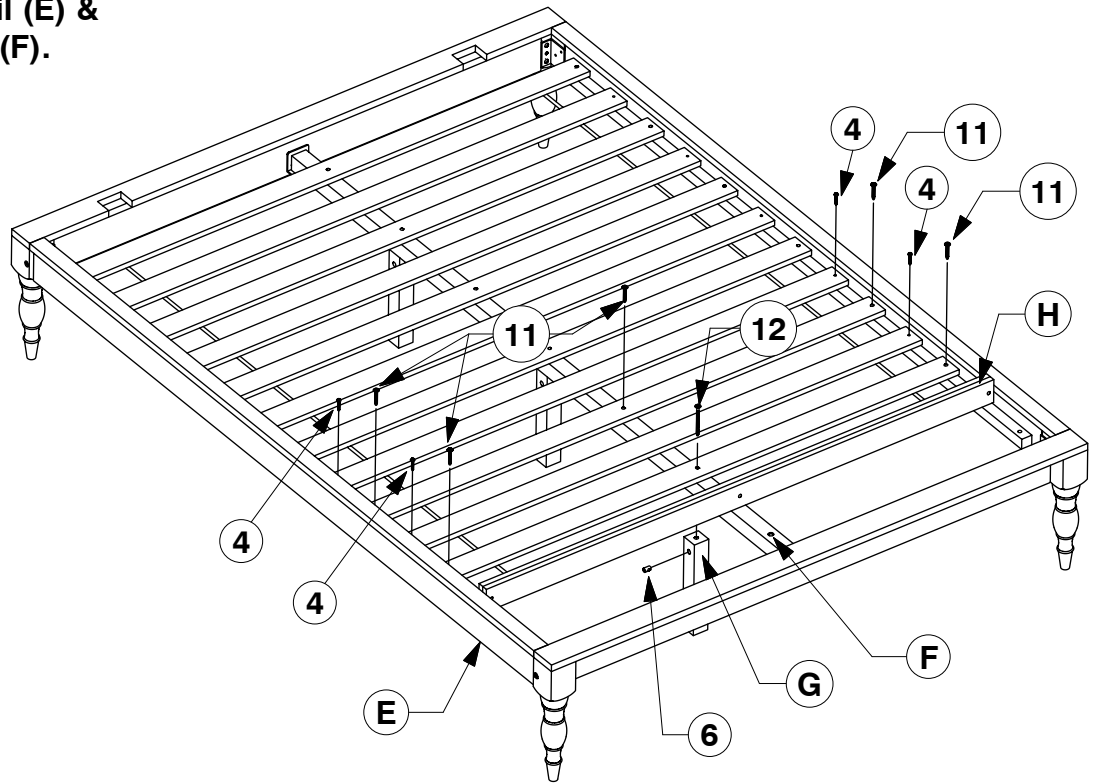


0005 Full Bed

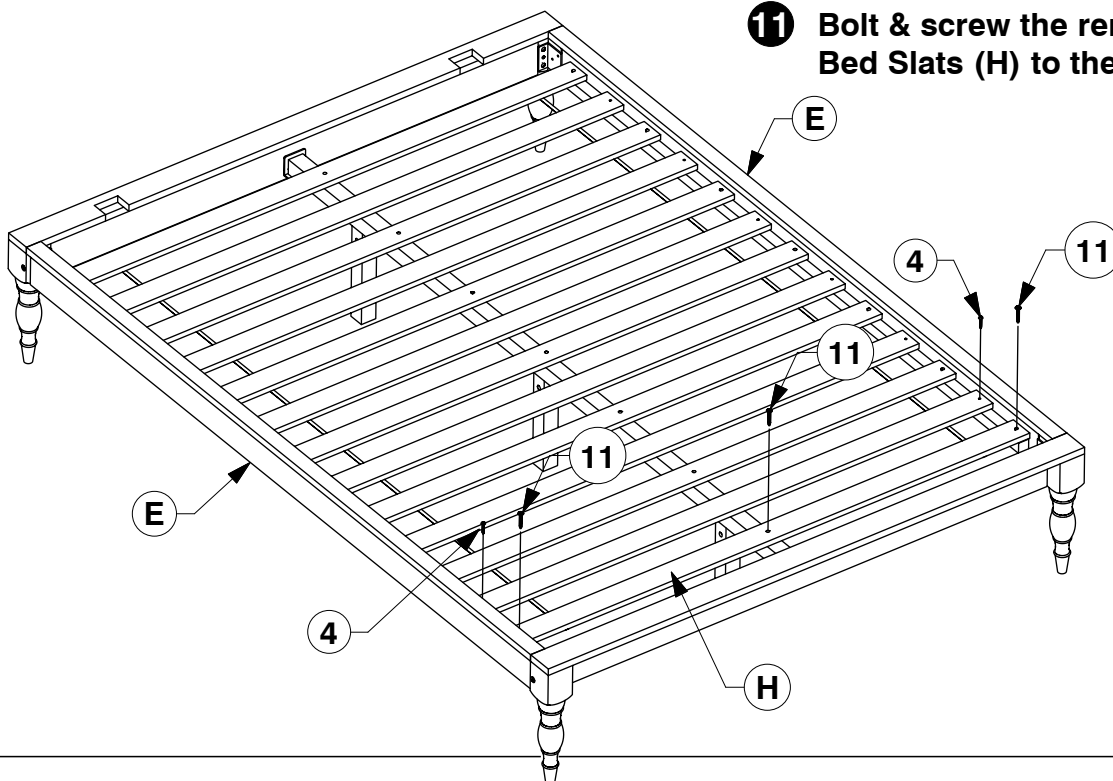
Assembly Instructions

WII-0419

- 10** Fit the other Slats out and assemble the Support Leg (G) to the Bed Slat (H). Bolt & screw the Bed Slats (H) to the Side Rail (E) & Long Support (F).



- 11** Bolt & screw the remaining Bed Slats (H) to the Side Rail (E).



0005-1 King Headboard

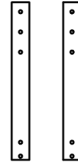
Assembly Instructions

WI-0622

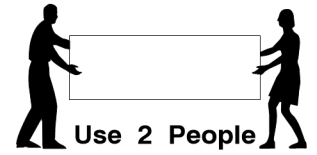
1 Parts List



A Headboard Panel x 1



B Support Bar x 2



2 Hardware List



1 M6 x 35mm JCB x 10



2 Spring Washer x 10



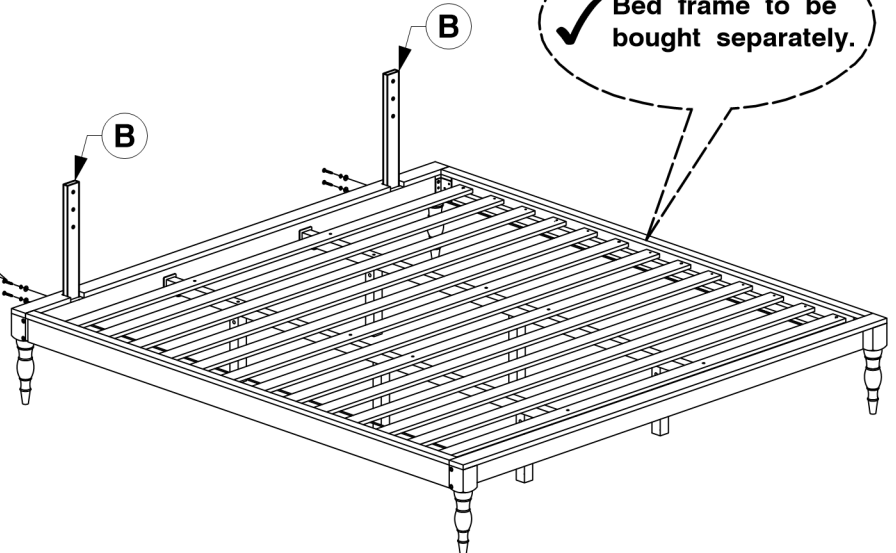
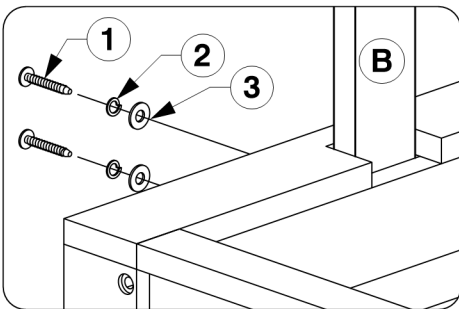
3 Flat Washer x 10



4 Allen Key x 1

Note: Do not assemble using power tools. This can cause the bolts to be overtightened

3 Assemble the Support Bars (B) to the Headboard Panel.



4 Assemble the Headboard Panel (A) to the Support Bars (B).

