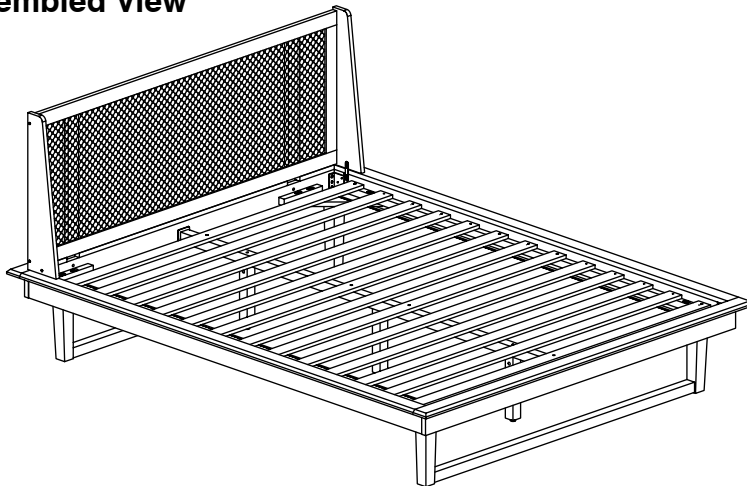


# 0004-3 Queen Bed

## Assembly Instructions

WI-0222

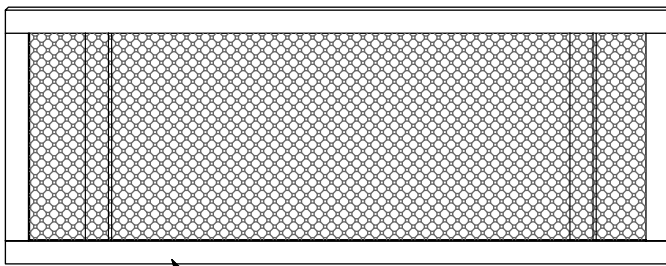
### 1 Assembled View



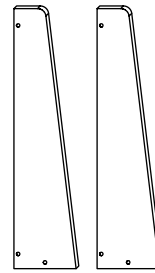
**Note:** Do not assemble using power tools. This can cause the bolts to be overtightened

### 2 Parts List

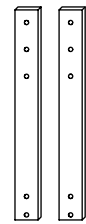
#### Parts in Box A:



**A** Headboard x 1

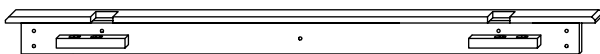


**B** Headboard Side Panel x 2

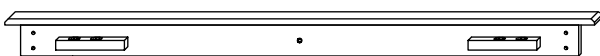


**C** Support Bar x 2

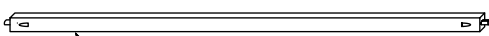
#### Parts in Box B:



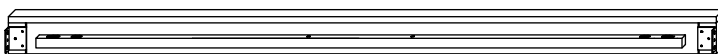
**D** Headboard Panel x 1



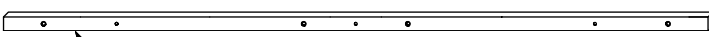
**E** Footboard Panel x 1



**F** Lower Rail x 2



**G** Side Rail x 2



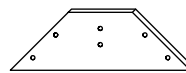
**H** Long Support x 1



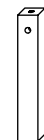
**J** Post (Left Hand) x 2



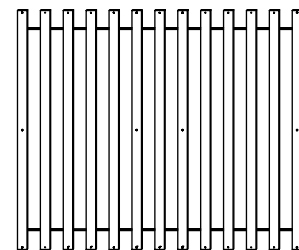
**K** Post (Right Hand) x 2



**L** Support Panel x 4



**M** Support Leg x 3



**N** Set of Bed Slats x 1

# 0004-3 Queen Bed

## Assembly Instructions

WI-0222

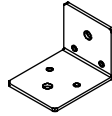
### 3 Hardware List



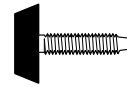
1 M4 Allen Key  
x 1



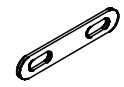
2 M5 Allen Key  
x 1



3 Center Rail  
Bracket x 2



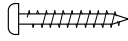
4 Adjustable  
Foot x 3



5 Bracket (2003)  
x 2



6 Barrel Nut  
x 3



7 Wood Screw  
(M4 x 32mm) x 22



8 Spring  
Washer x 34



9 Flat Washer  
x 34



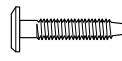
10 M8 x 50mm JCB  
x 8



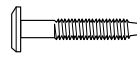
11 M6 JCN Nut  
x 2



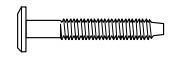
12 M6 x 15mm  
JCB x 8



13 M6 x 20mm  
JCB x 8



14 M6 x 35mm  
JCB x 10



15 M6 x 40mm  
JCB x 16

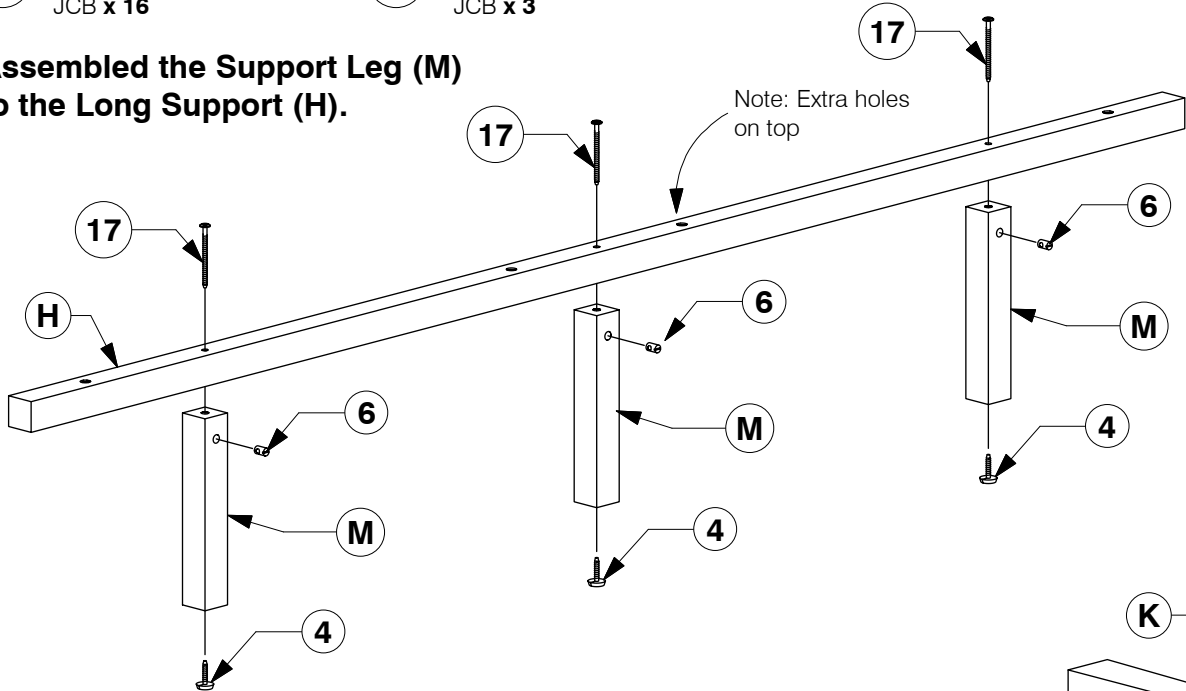


16 M6 x 50mm  
JCB x 16

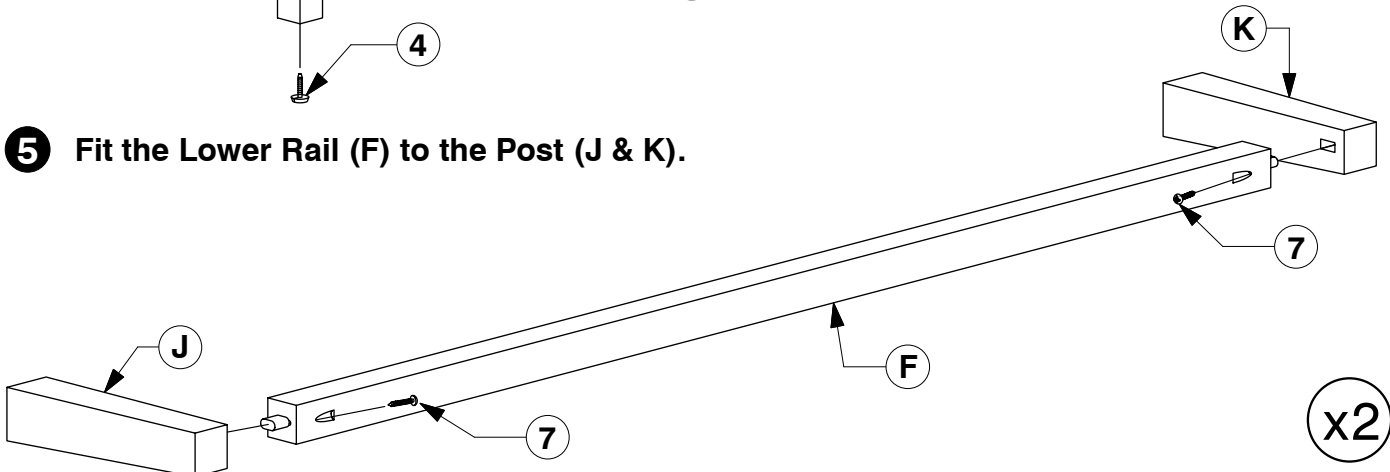


17 M6 x 90mm  
JCB x 3

### 4 Assembled the Support Leg (M) to the Long Support (H).



### 5 Fit the Lower Rail (F) to the Post (J & K).



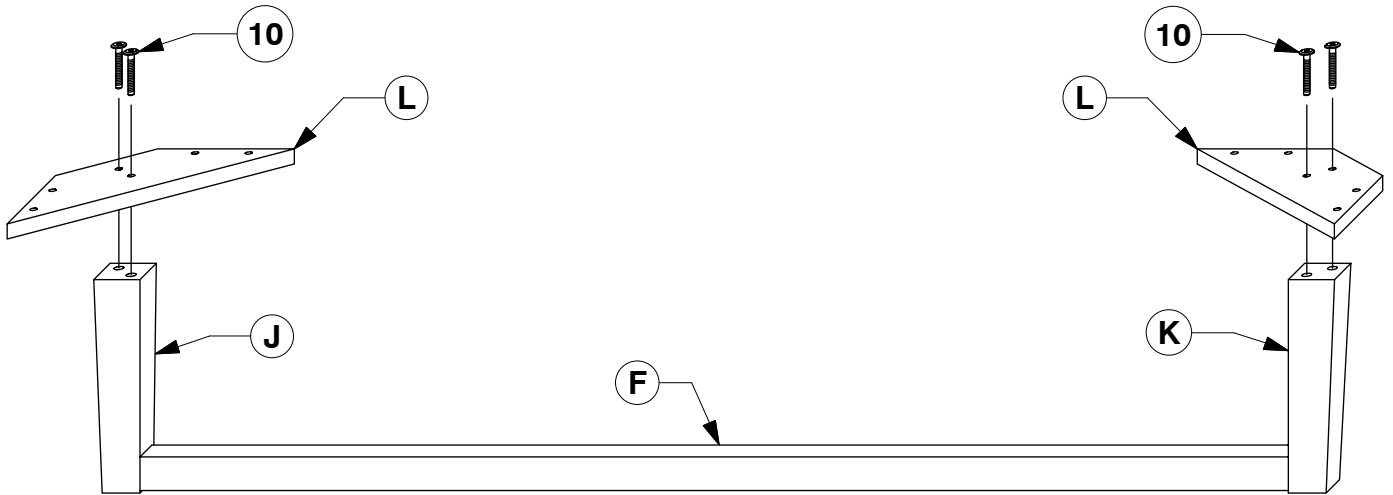
# 0004-3 Queen Bed

## Assembly Instructions

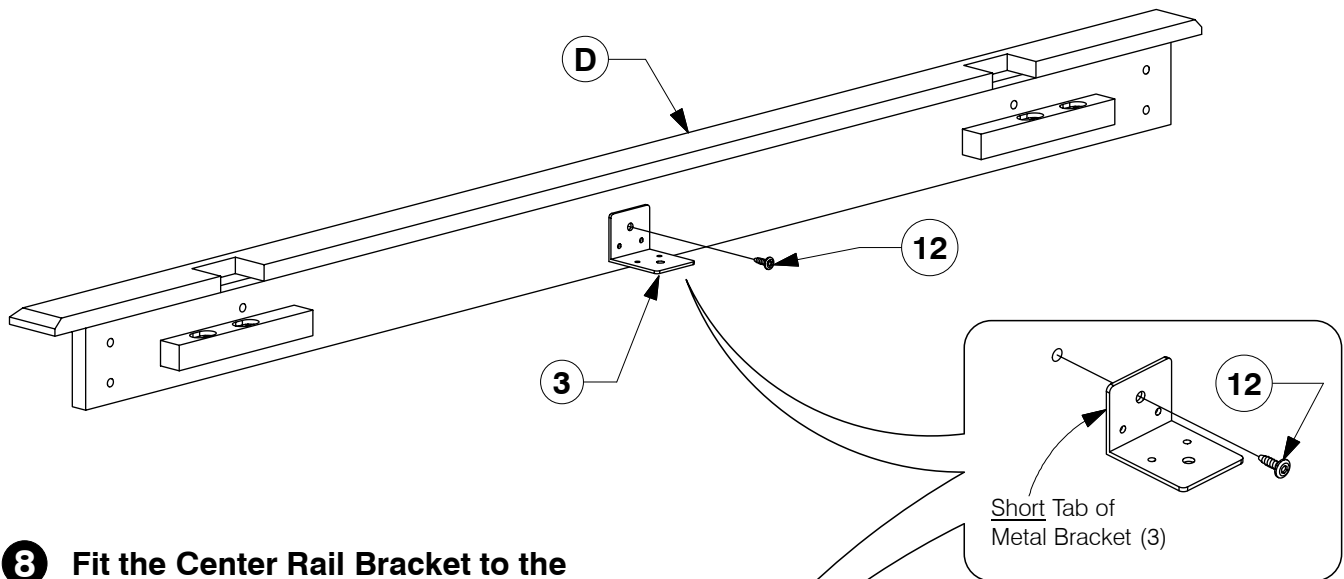
WI-0222

- 6 Assemble the assembled Post (J & K) & Lower Rail (F) to the Support Panel (L).**

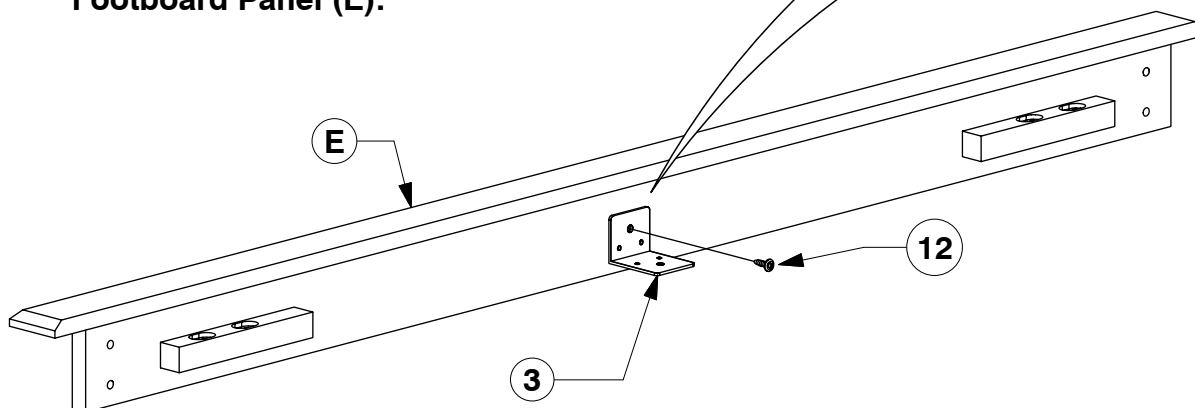
x2



- 7 Fit the Center Rail Bracket to the Headboard Panel (D).**



- 8 Fit the Center Rail Bracket to the Footboard Panel (E).**

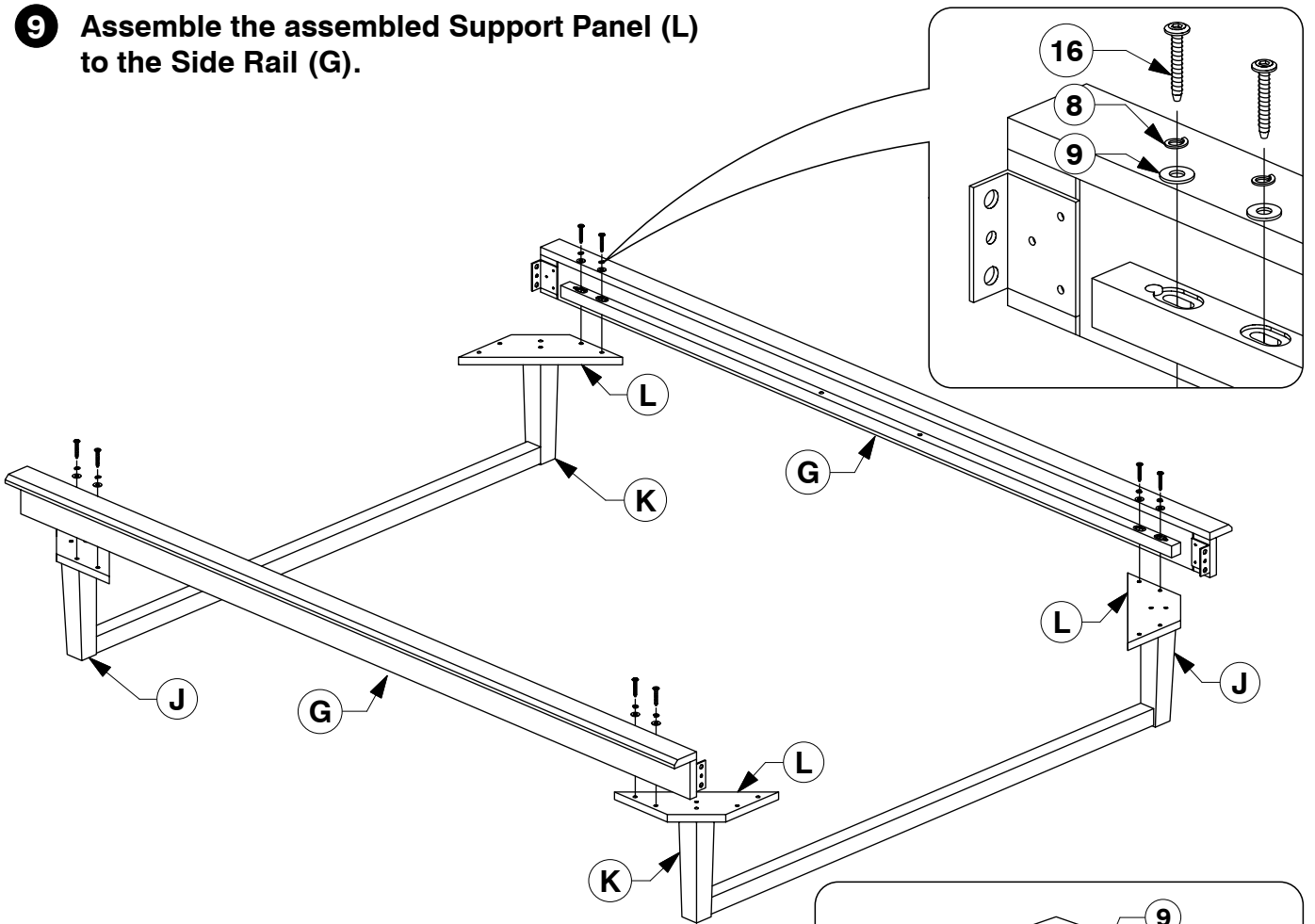


# 0004-3 Queen Bed

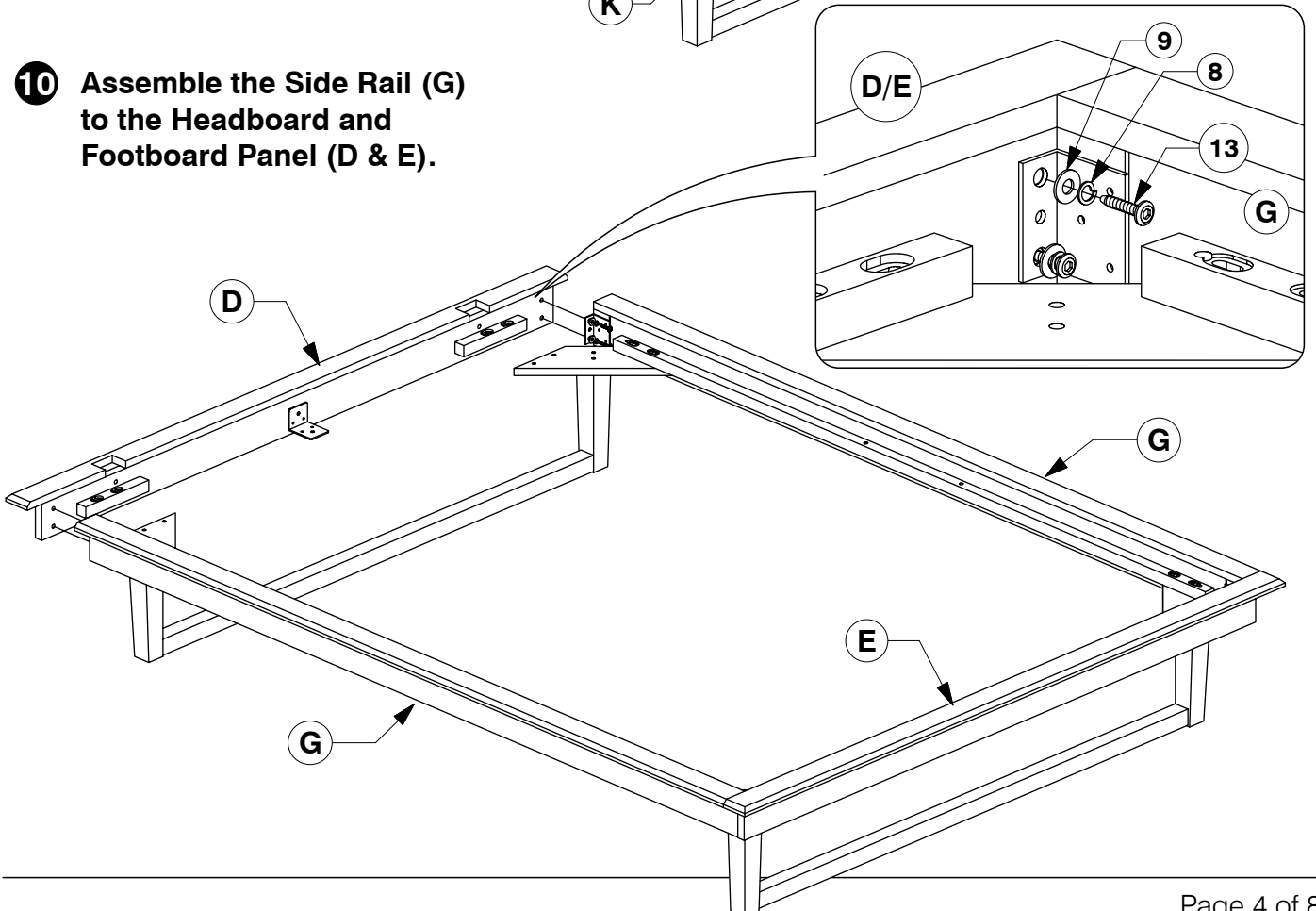
## Assembly Instructions

WI-0222

- 9** Assemble the assembled Support Panel (L) to the Side Rail (G).



- 10** Assemble the Side Rail (G) to the Headboard and Footboard Panel (D & E).

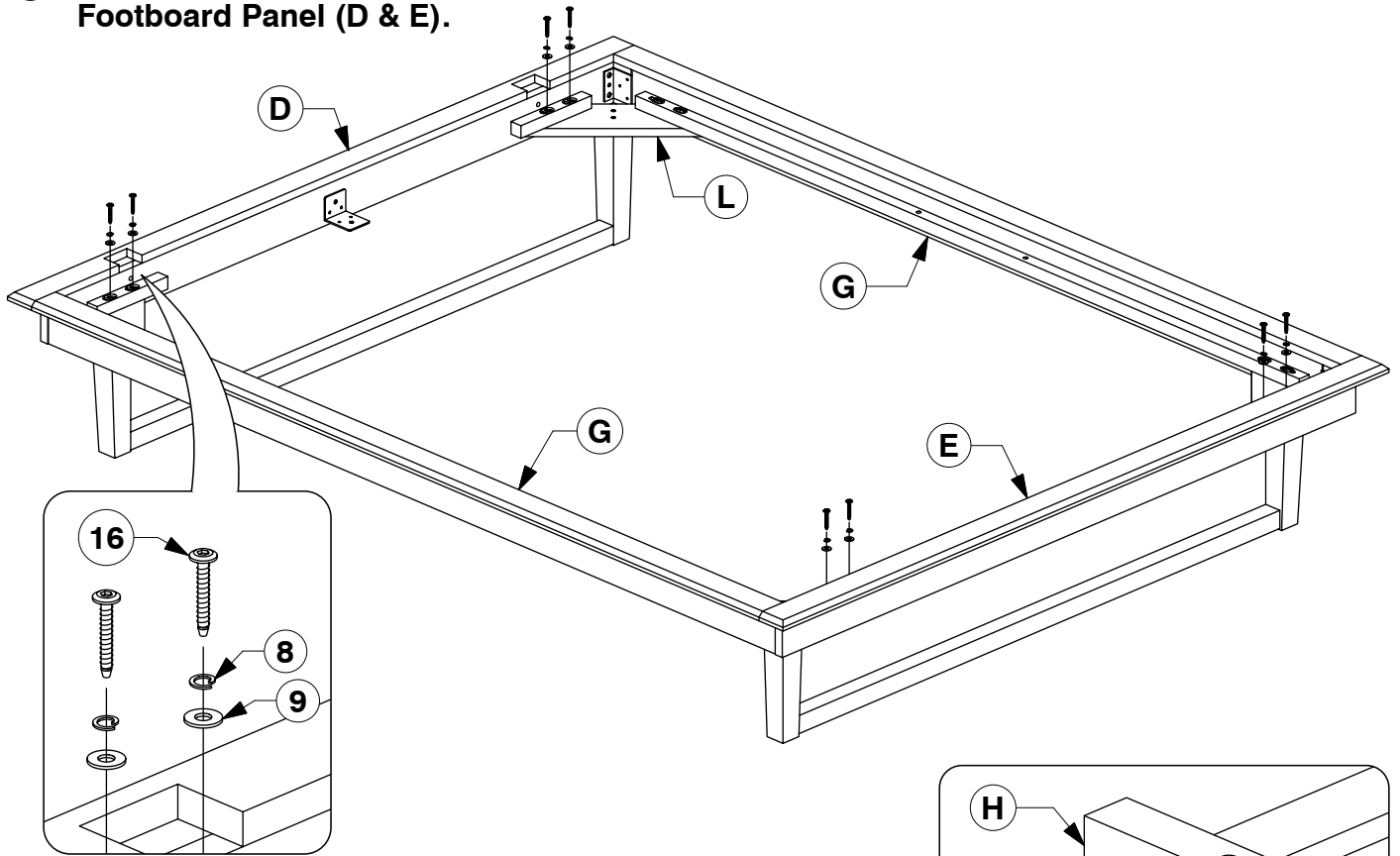


# 0004-3 Queen Bed

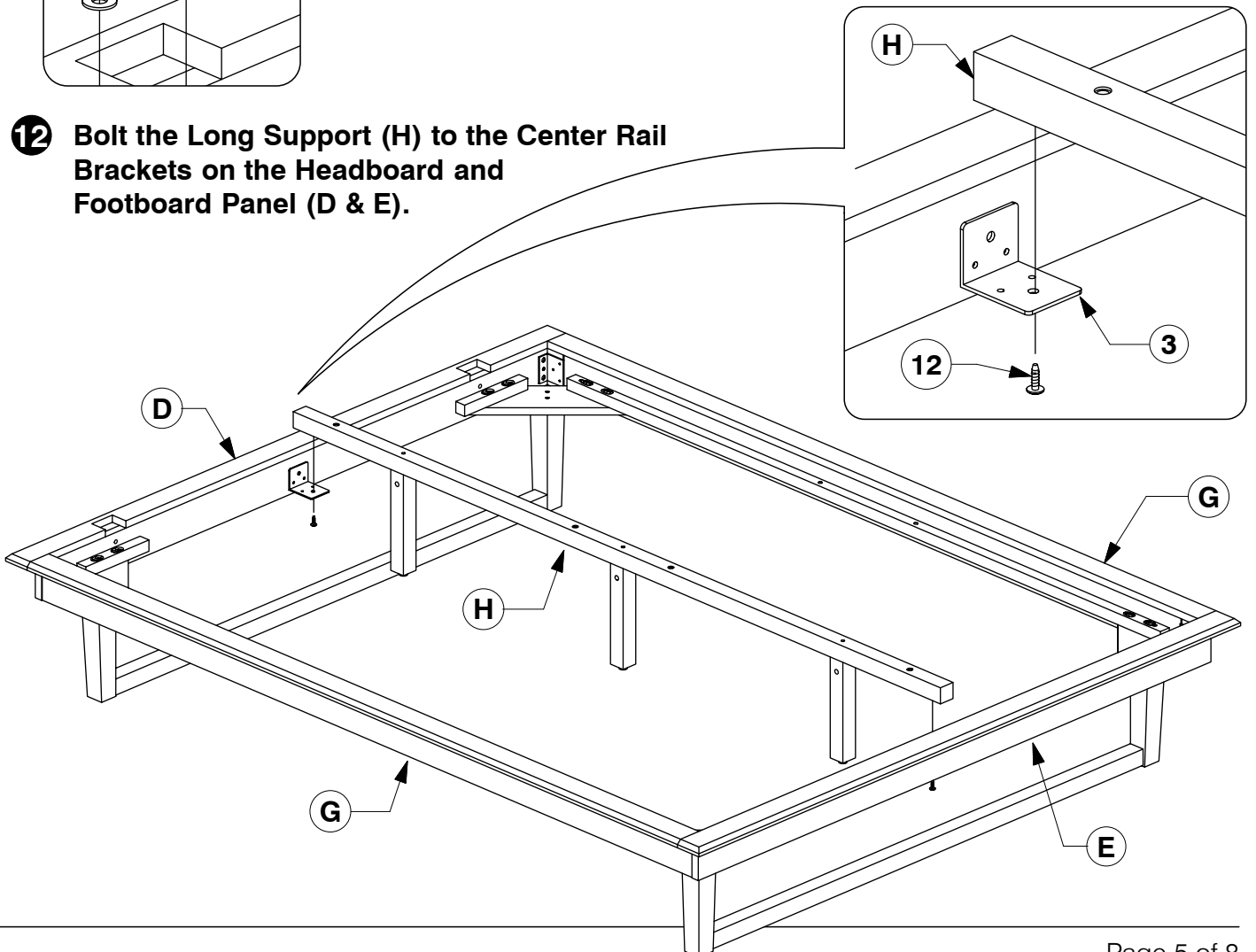
## Assembly Instructions

WI-0222

- 11** Bolt the Support Panel (L) to the Headboard and Footboard Panel (D & E).



- 12** Bolt the Long Support (H) to the Center Rail Brackets on the Headboard and Footboard Panel (D & E).

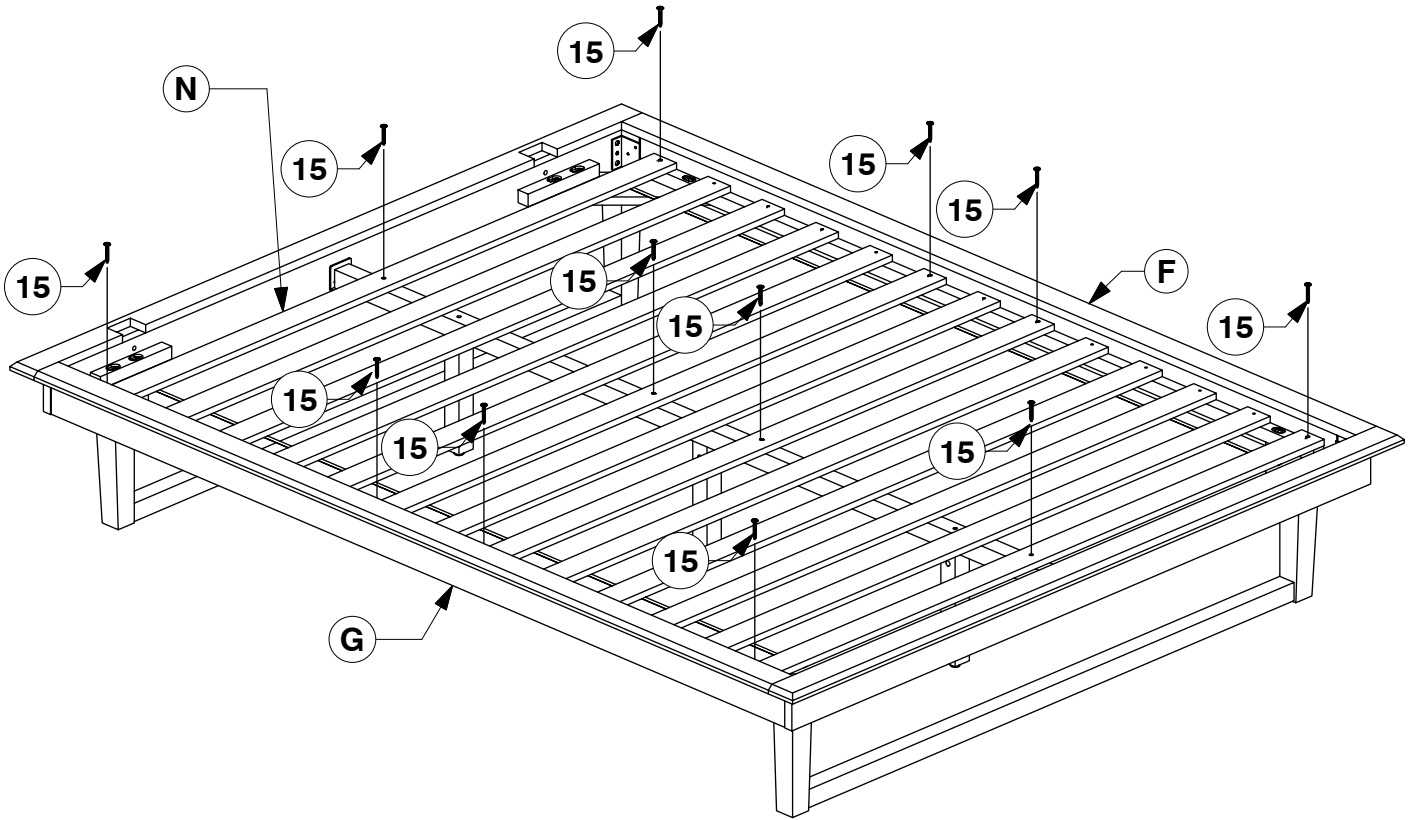


# 0004-3 Queen Bed

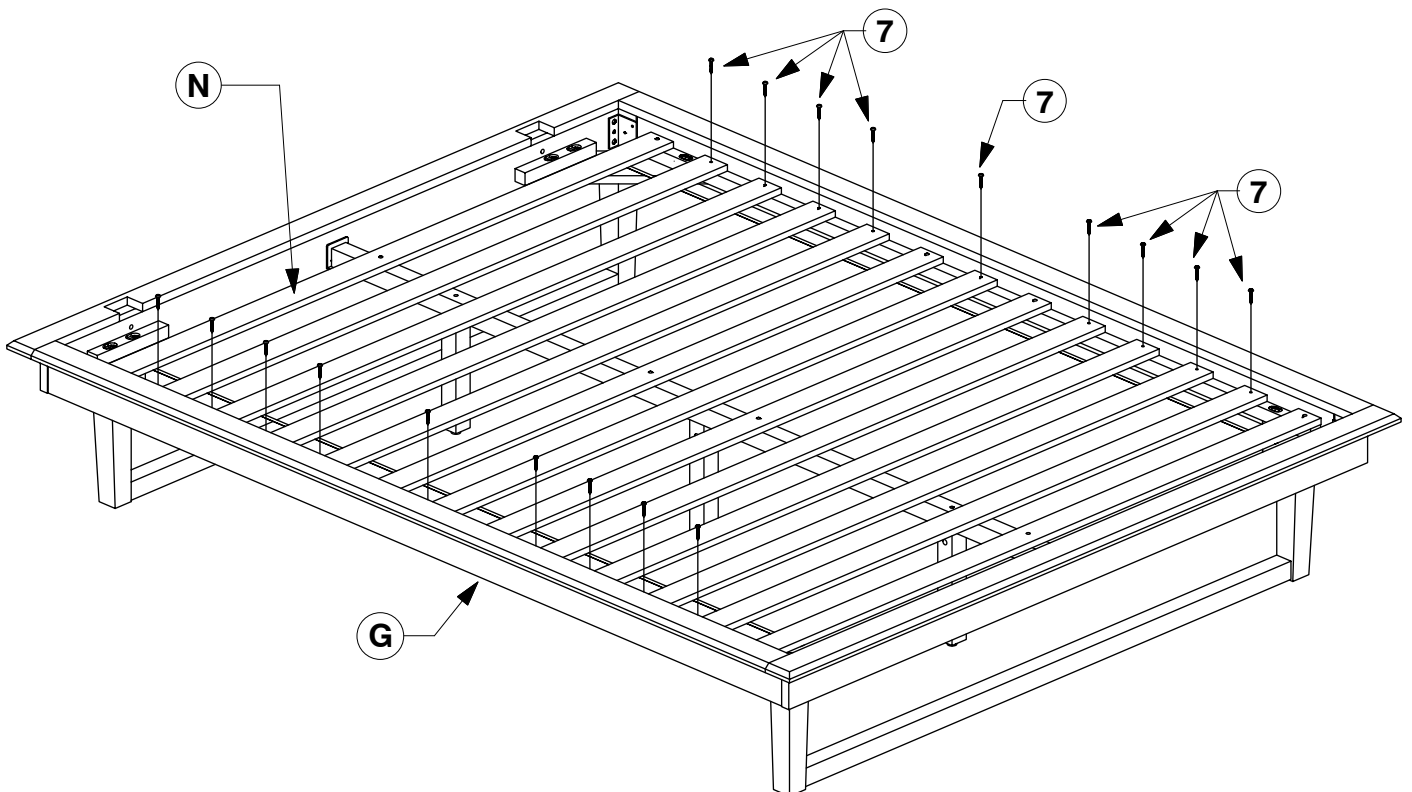
## Assembly Instructions

WI-0222

- 13** Bolt the Bed Slats (N) to the Side Rail (G).



- 14** Screw the Bed Slats (N) to the Side Rail (G).

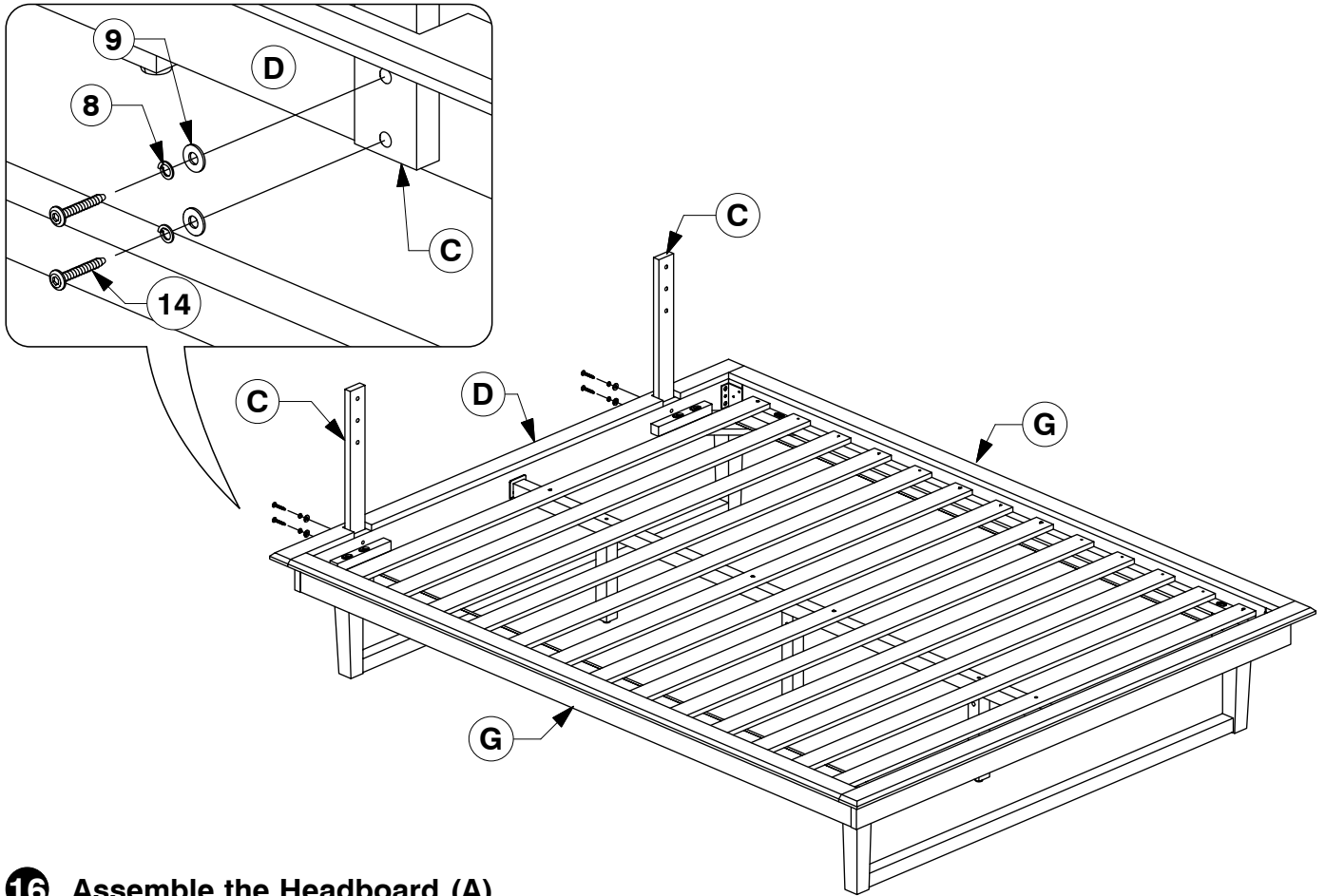


# 0004-3 Queen Bed

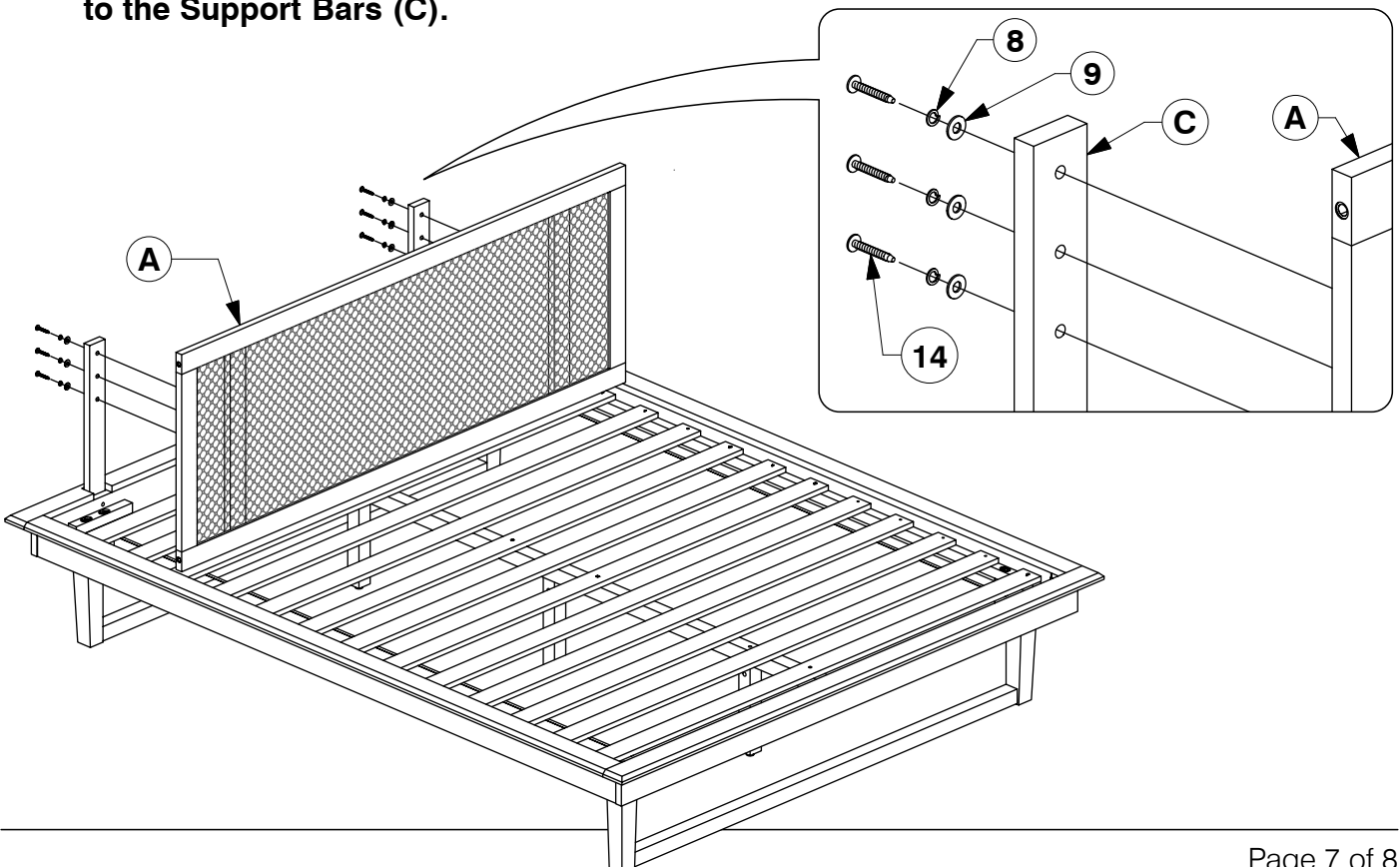
## Assembly Instructions

WI-0222

- 15** Assemble the Support Bars (C) to the Headboard Panel (D).



- 16** Assemble the Headboard (A) to the Support Bars (C).



# 0004-3 Queen Bed

## Assembly Instructions

WI-0222

- 17** Fit the Headboard Side Panel (B) to the Headboard (A) & Side Rail (G).

