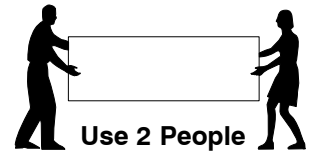
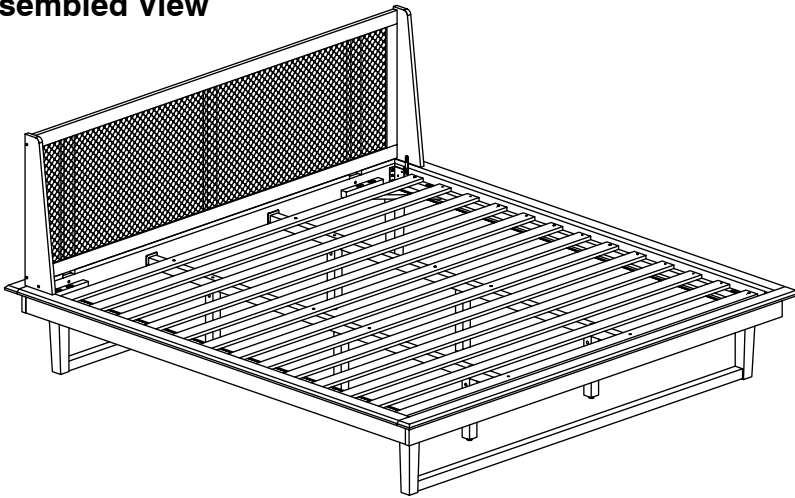


0004-3 King Bed

Assembly Instructions

WI-0222

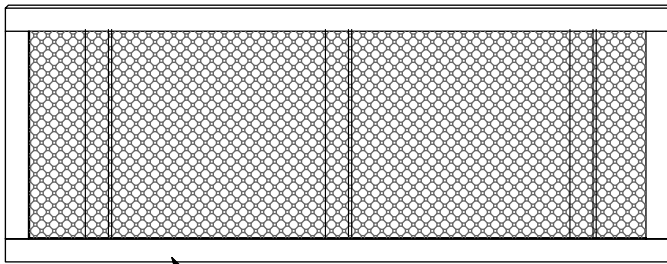
1 Assembled View



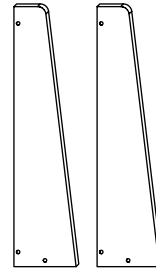
Note: Do not assemble using power tools. This can cause the bolts to be overtightened

2 Parts List

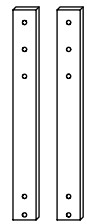
Parts in Box A:



A Headboard x 1



B Headboard Side Panel x 2

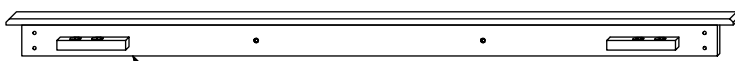


C Support Bar x 2

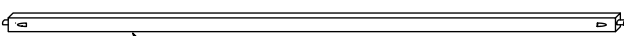
Parts in Box B:



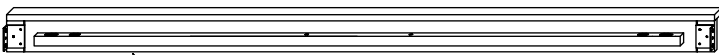
D Headboard Panel x 1



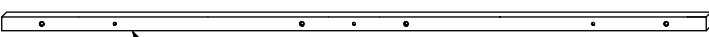
E Footboard Panel x 1



F Lower Rail x 2



G Side Rail x 2



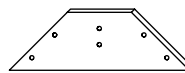
H Long Support x 2



J Post (Left Hand) x 2



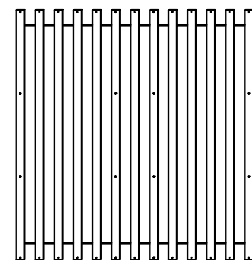
K Post (Right Hand) x 2



L Support Panel x 4



M Support Leg x 6



N Set of Bed Slats x 1

0004-3 King Bed

Assembly Instructions

WI-0222

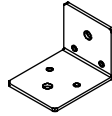
3 Hardware List



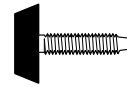
1 M4 Allen Key
x 1



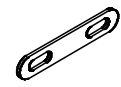
2 M5 Allen Key
x 1



3 Center Rail
Bracket x 4



4 Adjustable
Foot x 6



5 Bracket (2003)
x 2



6 Barrel Nut
x 6



7 Wood Screw
(M4 x 32mm) x 22



8 Spring
Washer x 34



9 Flat Washer
x 34



10 M8 x 50mm JCB
x 8



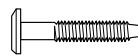
11 M6 JCN Nut
x 2



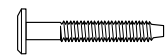
12 M6 x 15mm
JCB x 12



13 M6 x 20mm
JCB x 8



14 M6 x 35mm
JCB x 10



15 M6 x 40mm
JCB x 20

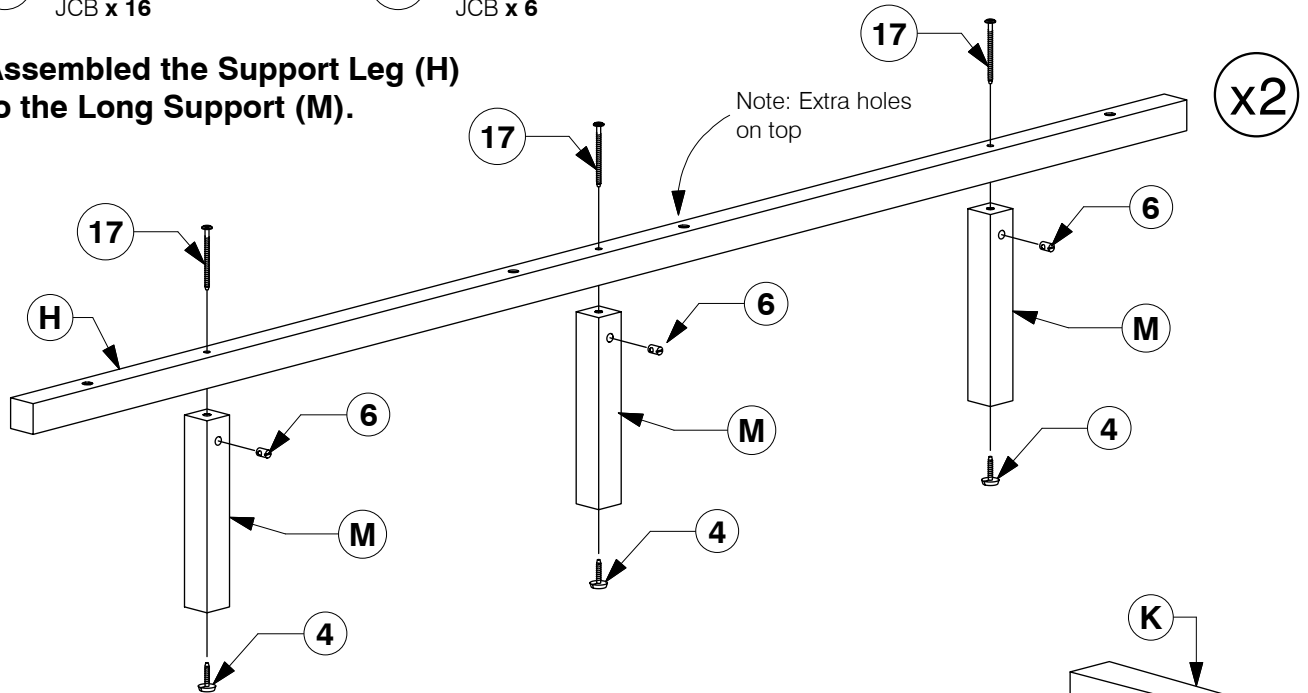


16 M6 x 50mm
JCB x 16

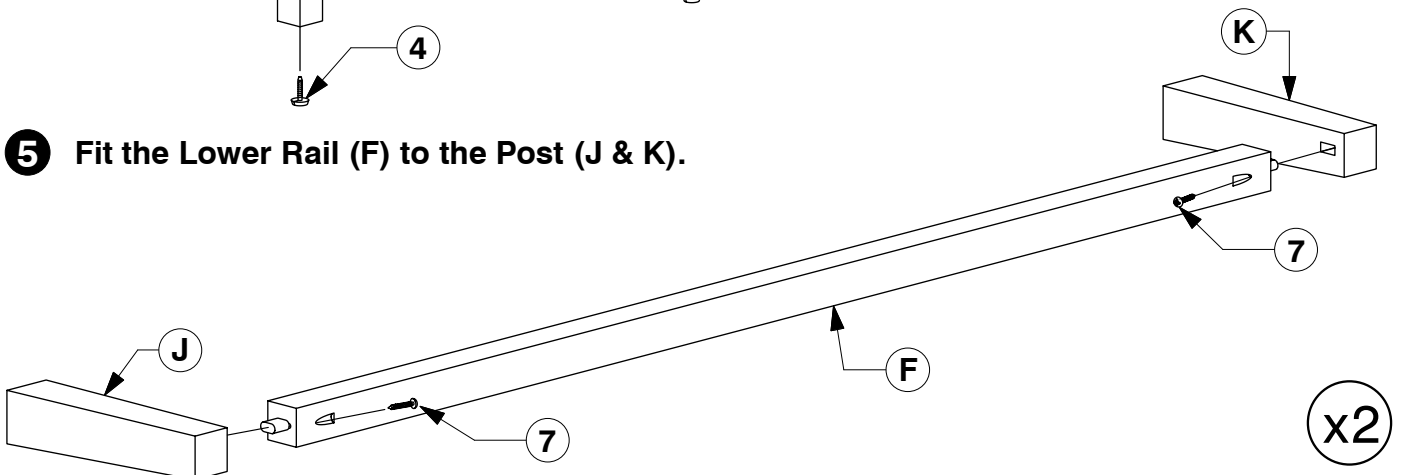


17 M6 x 90mm
JCB x 6

4 Assembled the Support Leg (H) to the Long Support (M).



5 Fit the Lower Rail (F) to the Post (J & K).



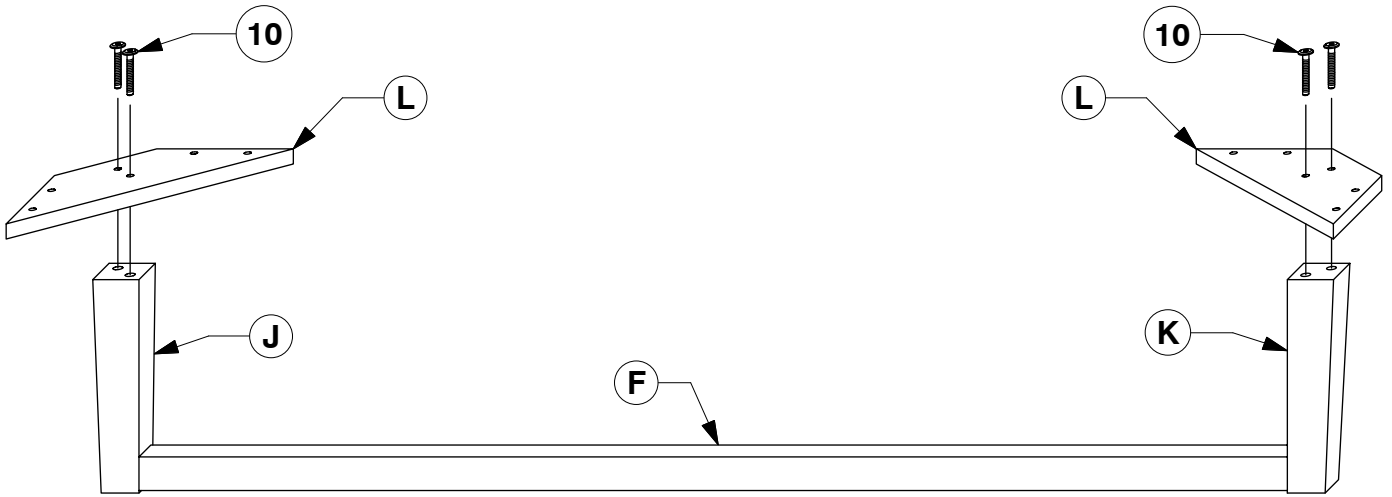
0004-3 King Bed

Assembly Instructions

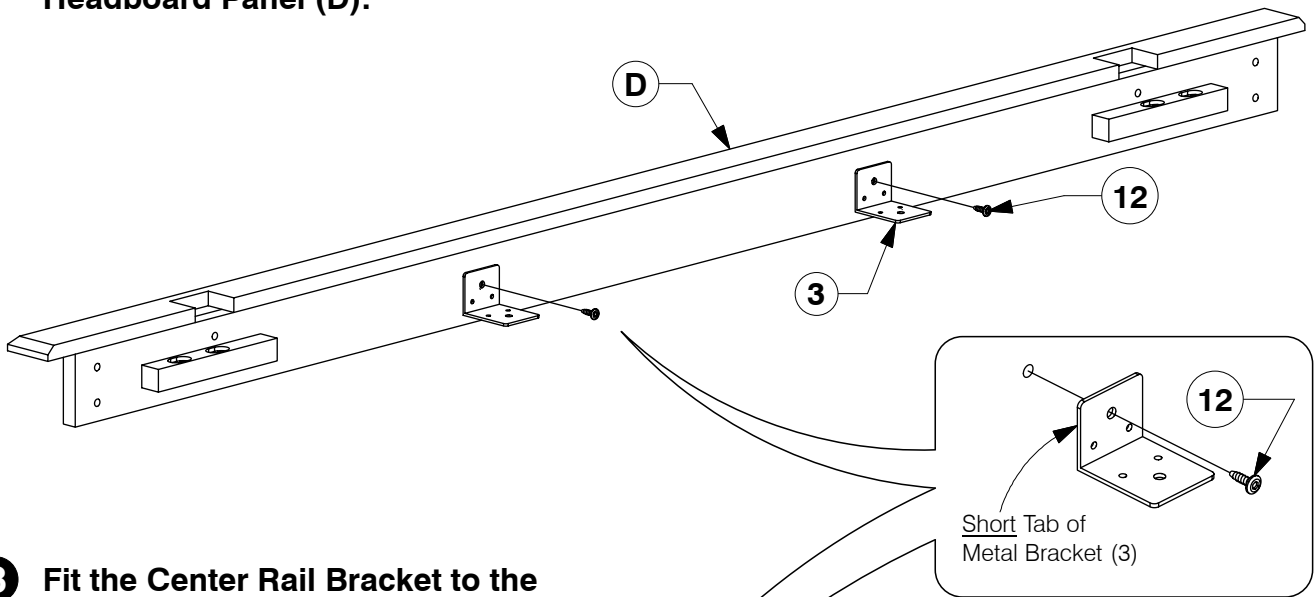
WI-0222

- 6 Assemble the assembled Post (J & K) & Lower Rail (F) to the Support Panel (L).**

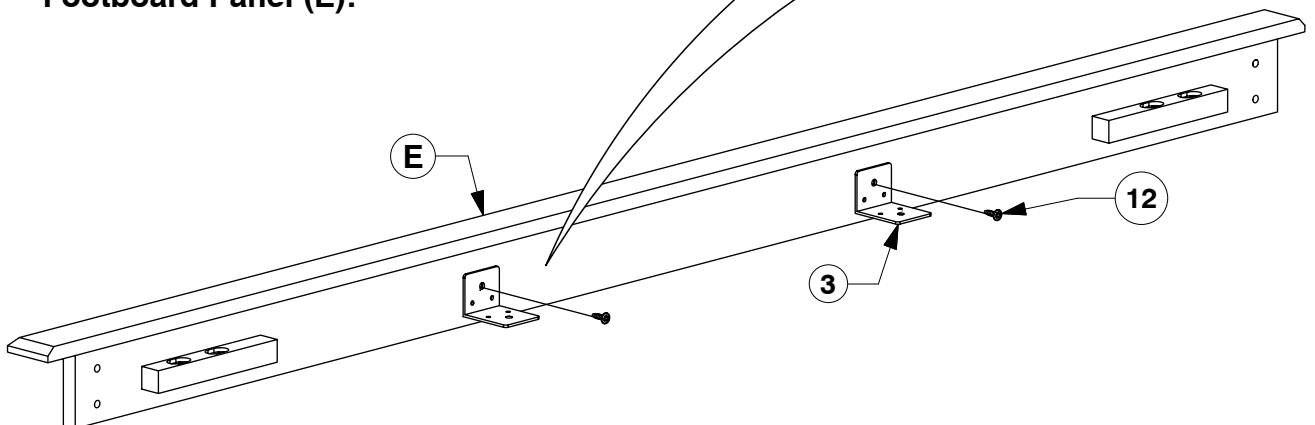
x2



- 7 Fit the Center Rail Bracket to the Headboard Panel (D).**



- 8 Fit the Center Rail Bracket to the Footboard Panel (E).**

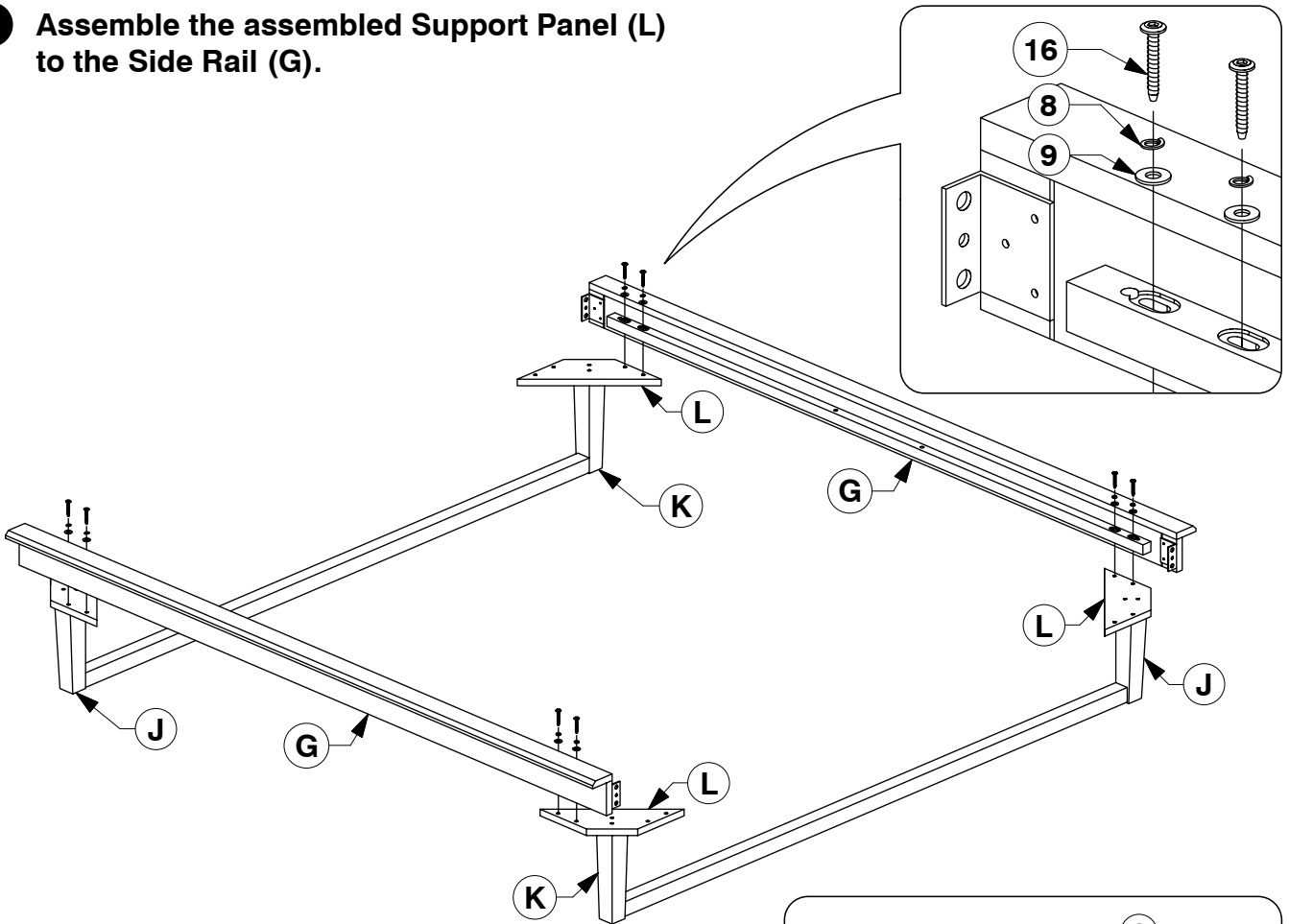


0004-3 King Bed

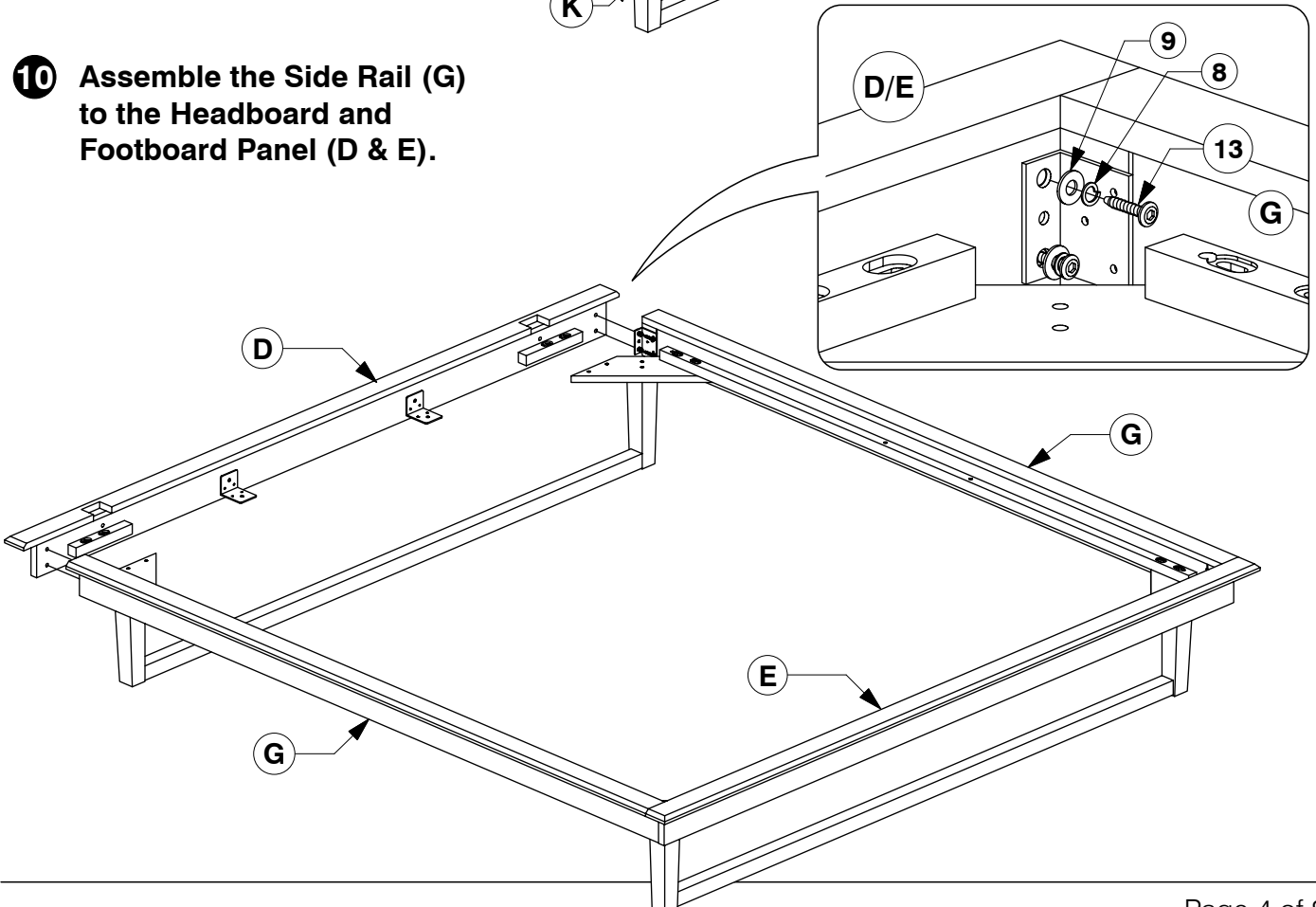
Assembly Instructions

WI-0222

- 9** Assemble the assembled Support Panel (L) to the Side Rail (G).



- 10** Assemble the Side Rail (G) to the Headboard and Footboard Panel (D & E).

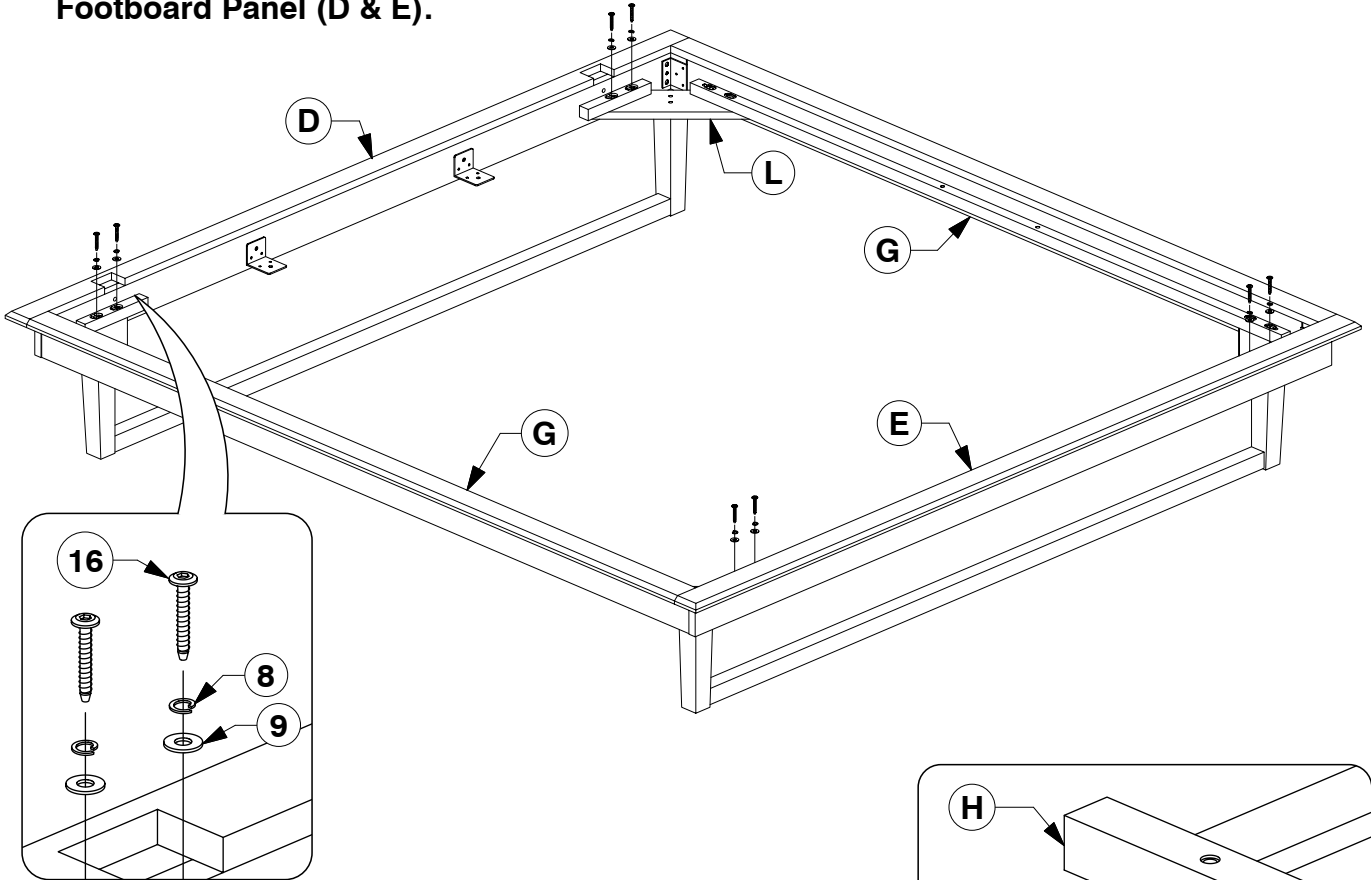


0004-3 King Bed

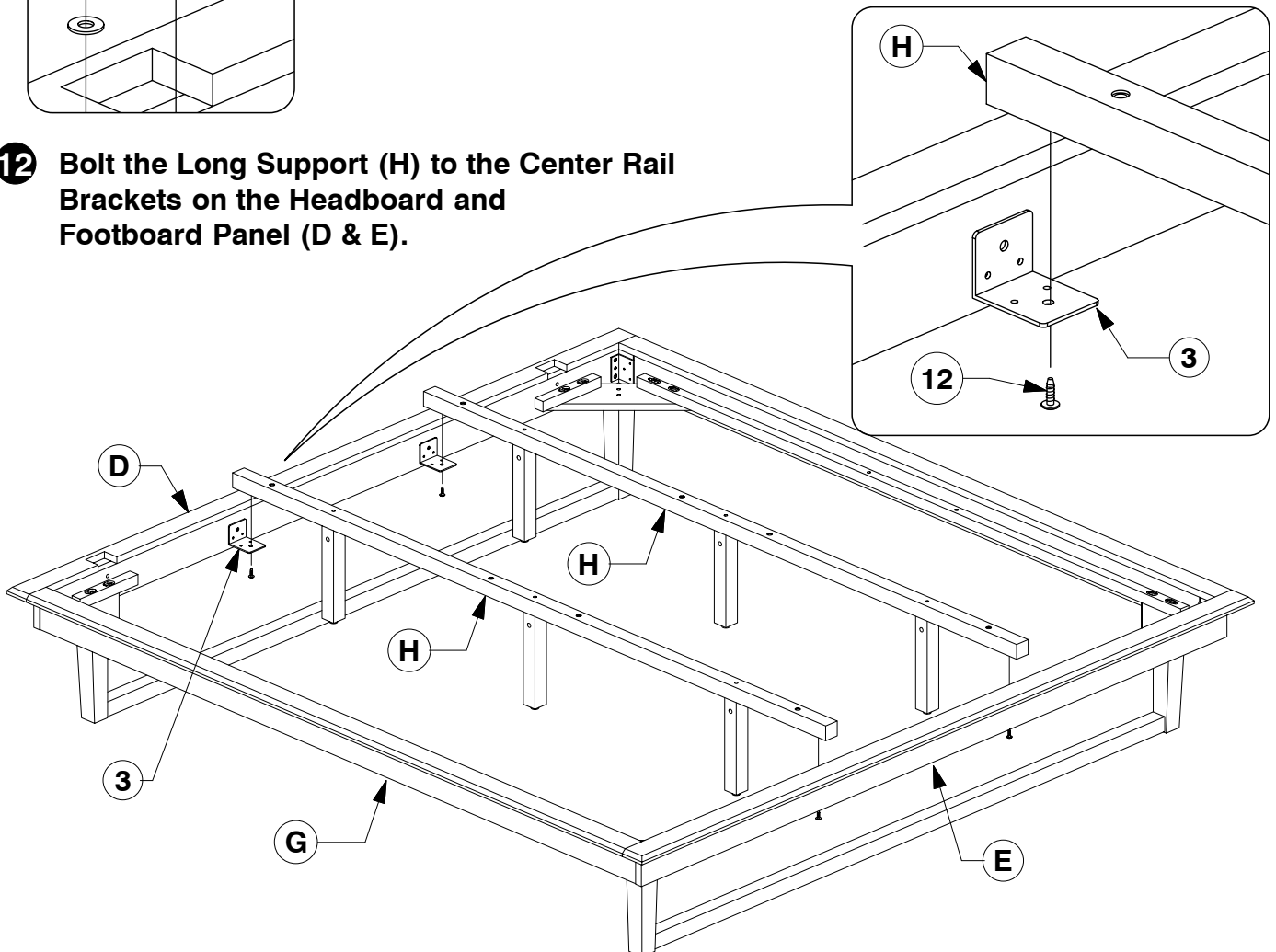
Assembly Instructions

WI-0222

- 11** Bolt the Support Panel (L) to the Headboard and Footboard Panel (D & E).



- 12** Bolt the Long Support (H) to the Center Rail Brackets on the Headboard and Footboard Panel (D & E).

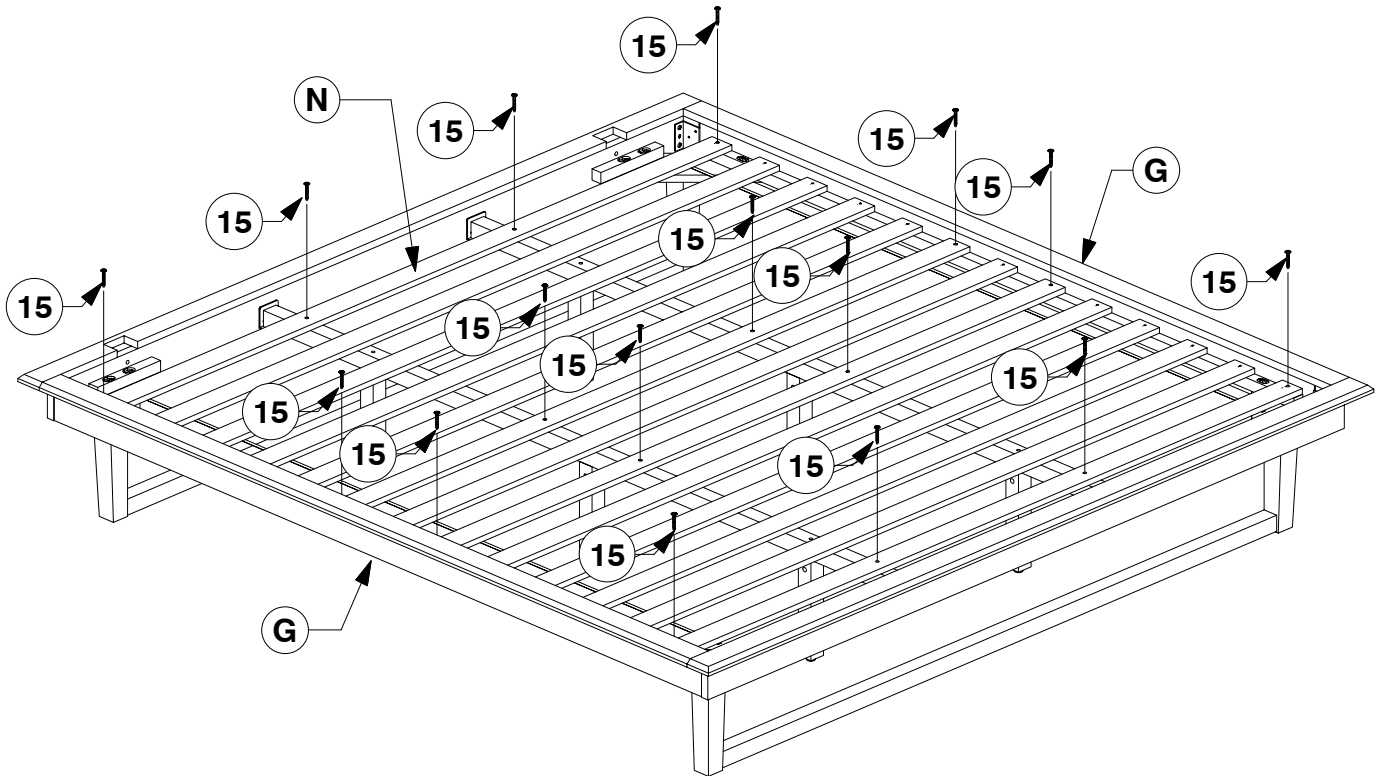


0004-3 King Bed

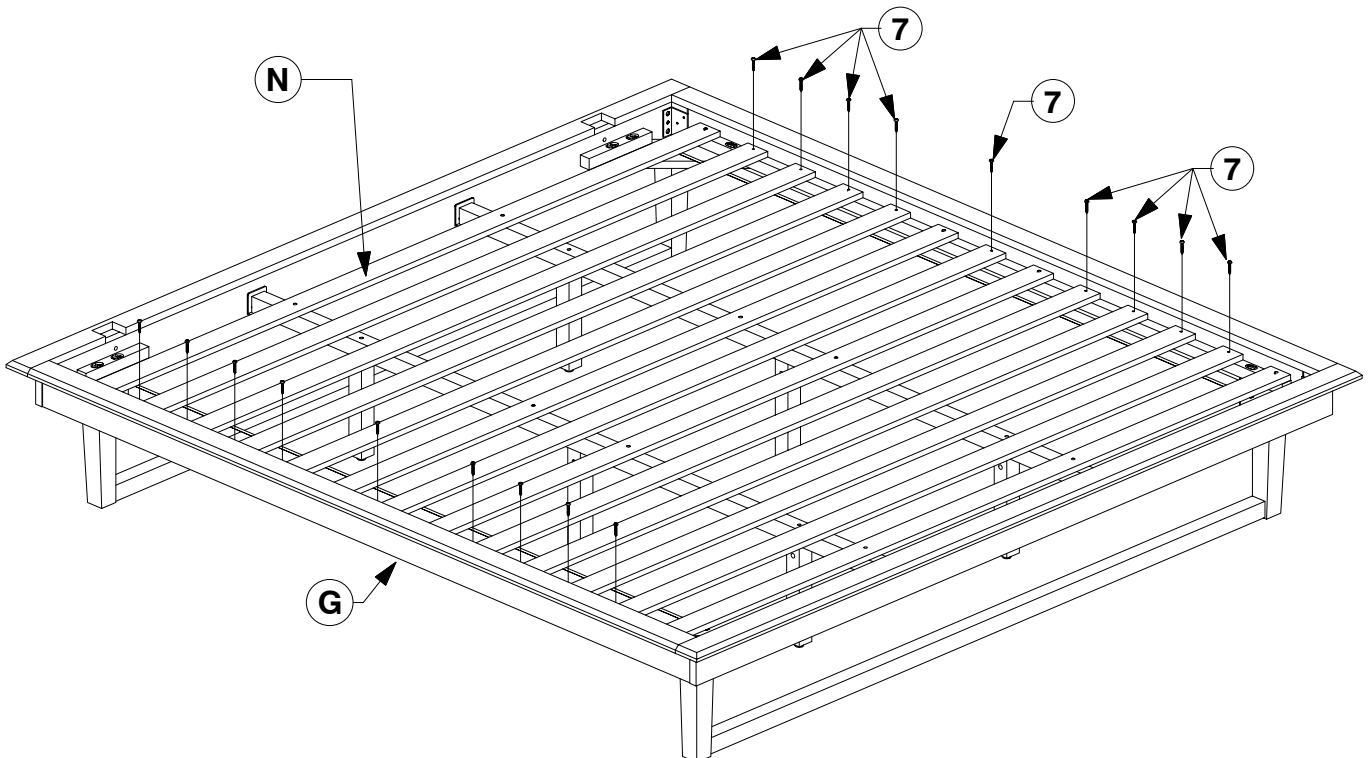
Assembly Instructions

WI-0222

- 13** Bolt the Bed Slats (N) to the Side Rail (G).



- 14** Screw the Bed Slats (N) to the Side Rail (G).

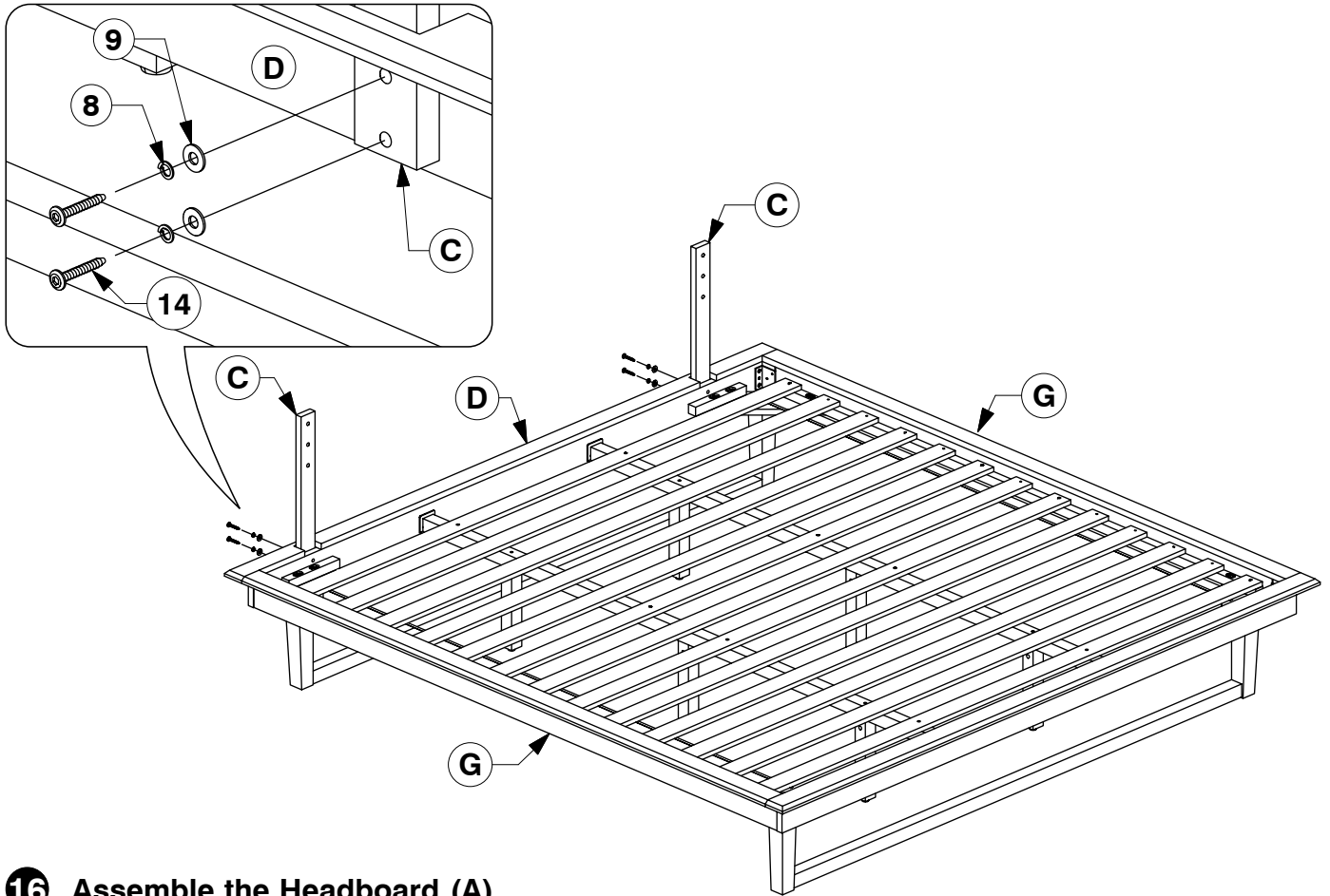


0004-3 King Bed

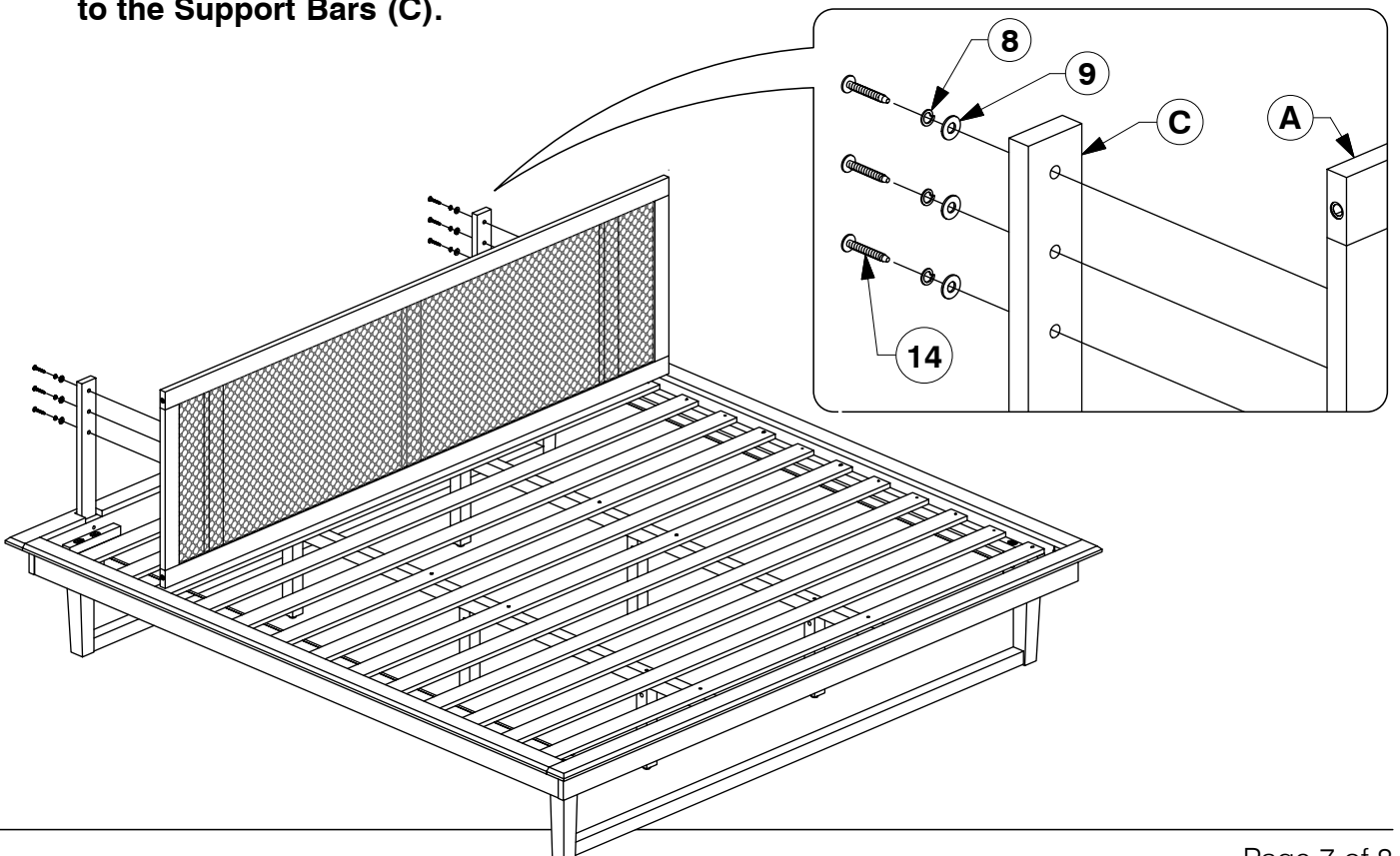
Assembly Instructions

WI-0222

- 15** Assemble the Support Bars (C) to the Headboard Panel (D).



- 16** Assemble the Headboard (A) to the Support Bars (C).



0004-3 King Bed

Assembly Instructions

WI-0222

17 Fit the Headboard Side Panel (B) to the Headboard (A) & Side Rail (G).

