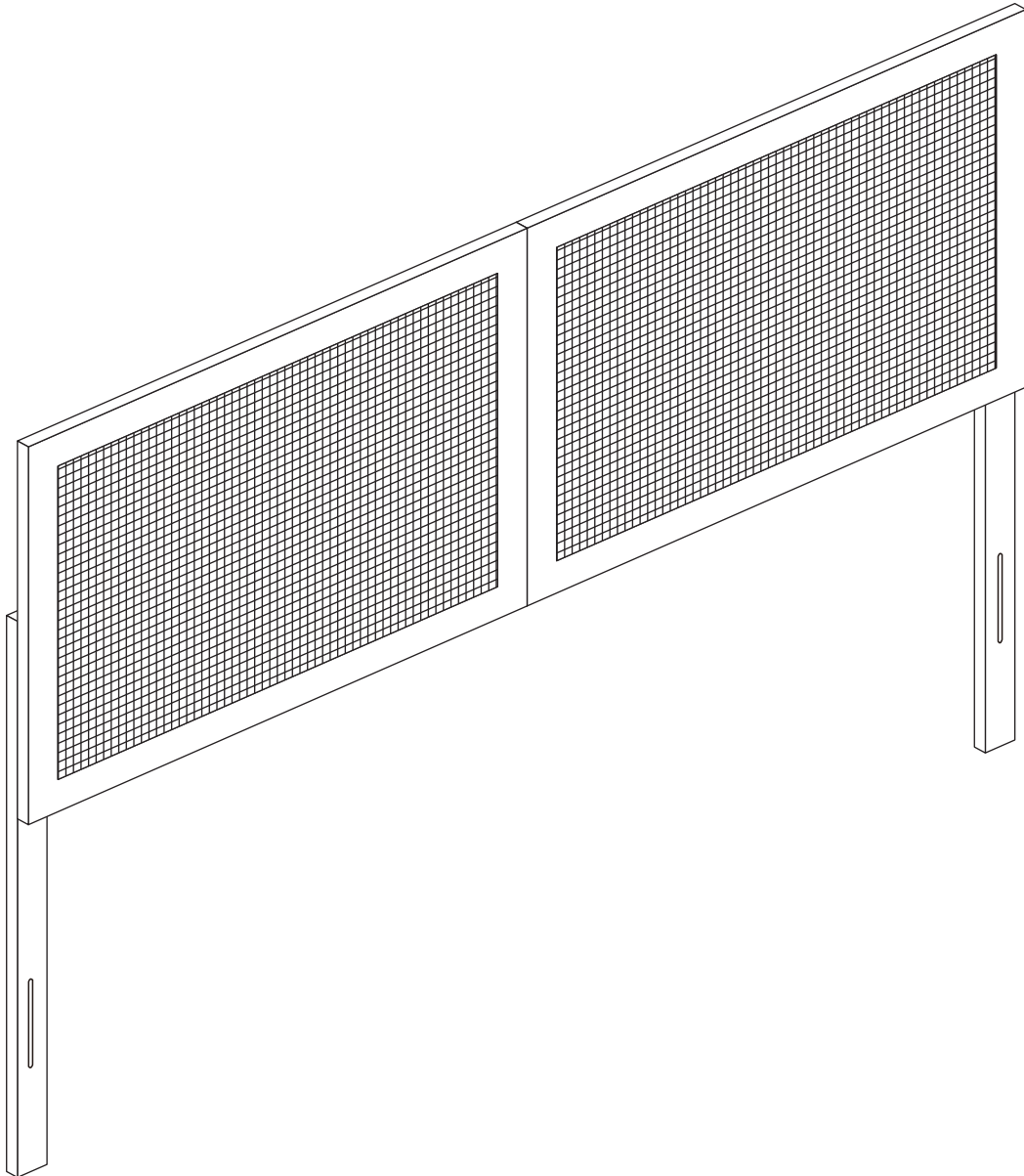
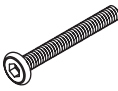
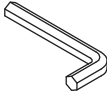


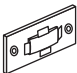

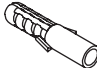



Rattan Board

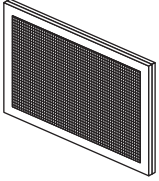


ASSEMBLY INSTRUCTION

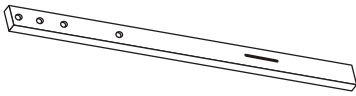
HARDWARE LIST

<p>a</p> <p>18 PCS</p>		<p>b</p> <p>1 PC</p>		<p>c</p> <p>10 PCS</p>		<p>d</p> <p>2 PCS</p>	
<p>e</p> <p>2 PCS</p>		<p>f</p> <p>1 PC</p>		<p>g</p> <p>2 PCS</p>		<p>h</p> <p>2 PCS</p>	

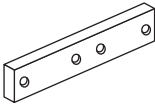
PARTS LIST



1 - 1 PC



2 - 1 PC



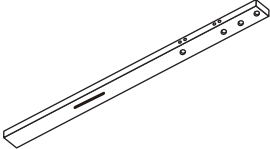
3 - 2 PCS



4 - 2 PCS



5 - 2 PCS

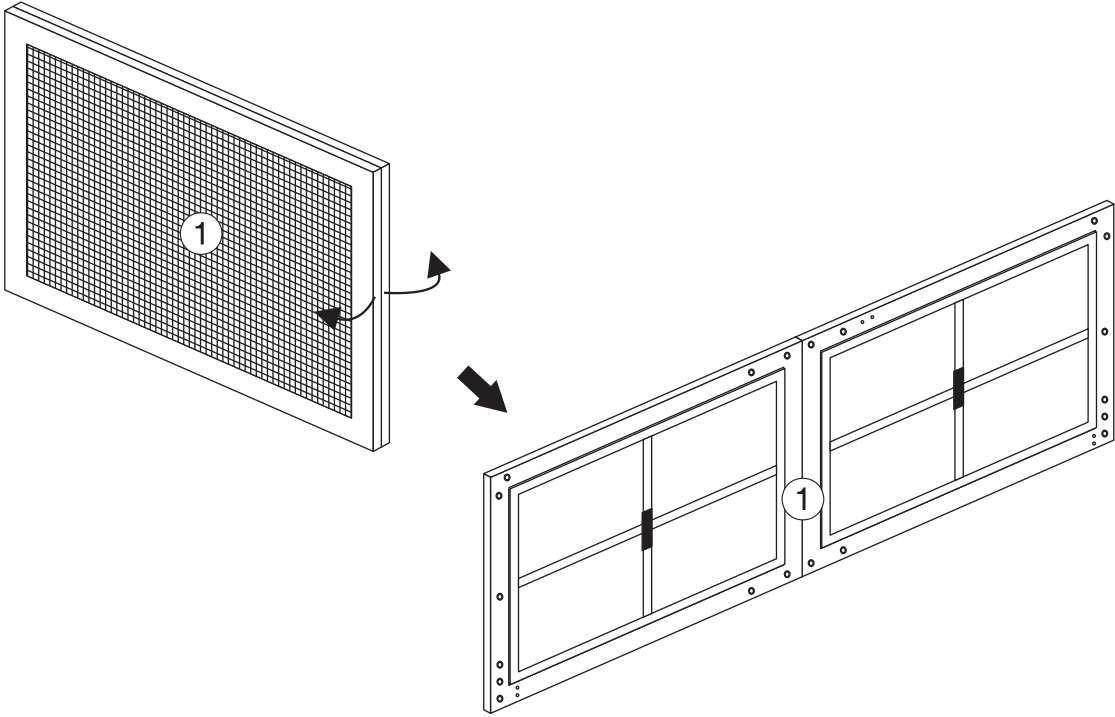


6 - 1 PC

ASSEMBLY STEPS

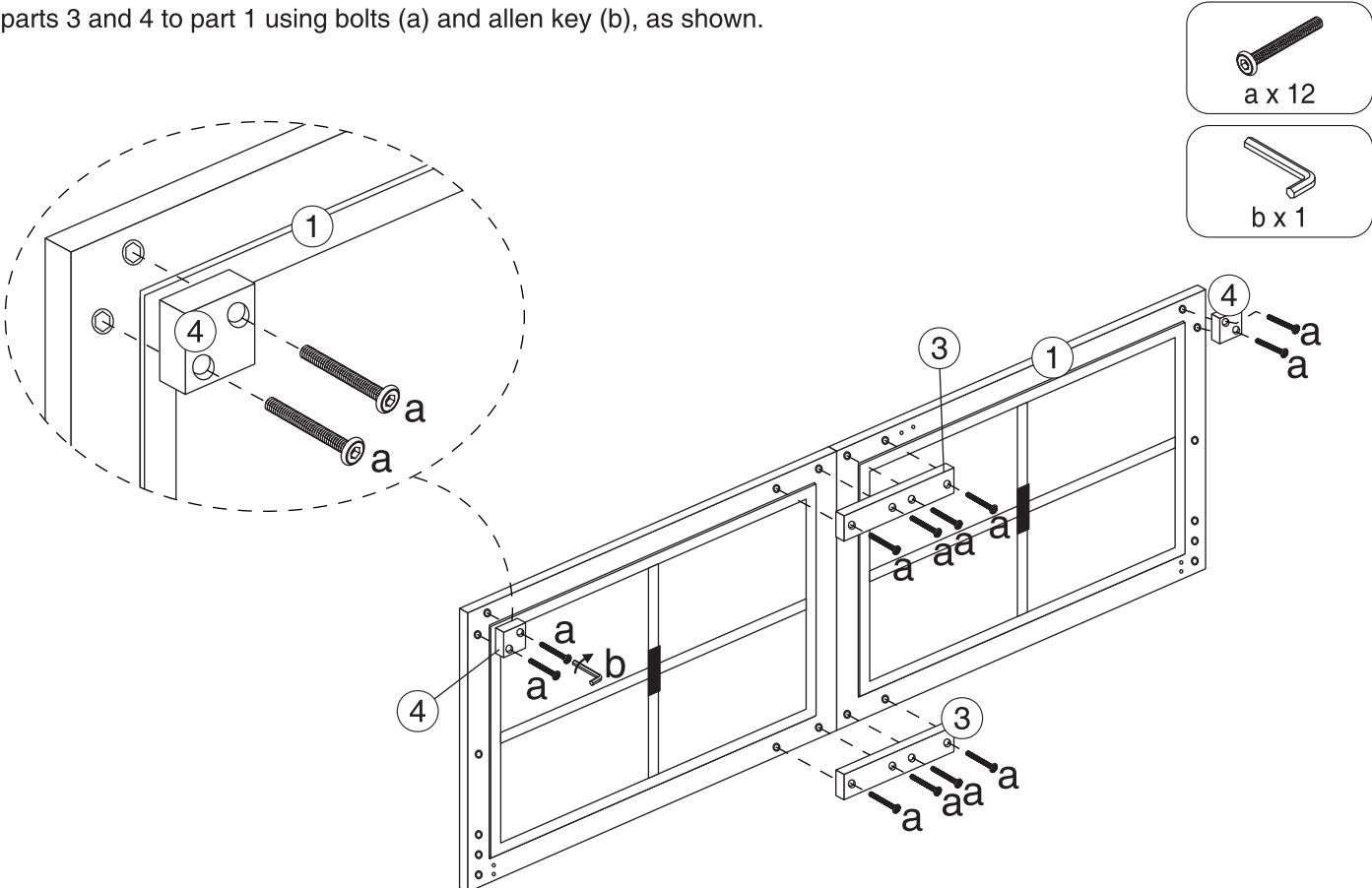
STEP 1.

Unfold part 1, as shown.



STEP 2.

Fix parts 3 and 4 to part 1 using bolts (a) and allen key (b), as shown.

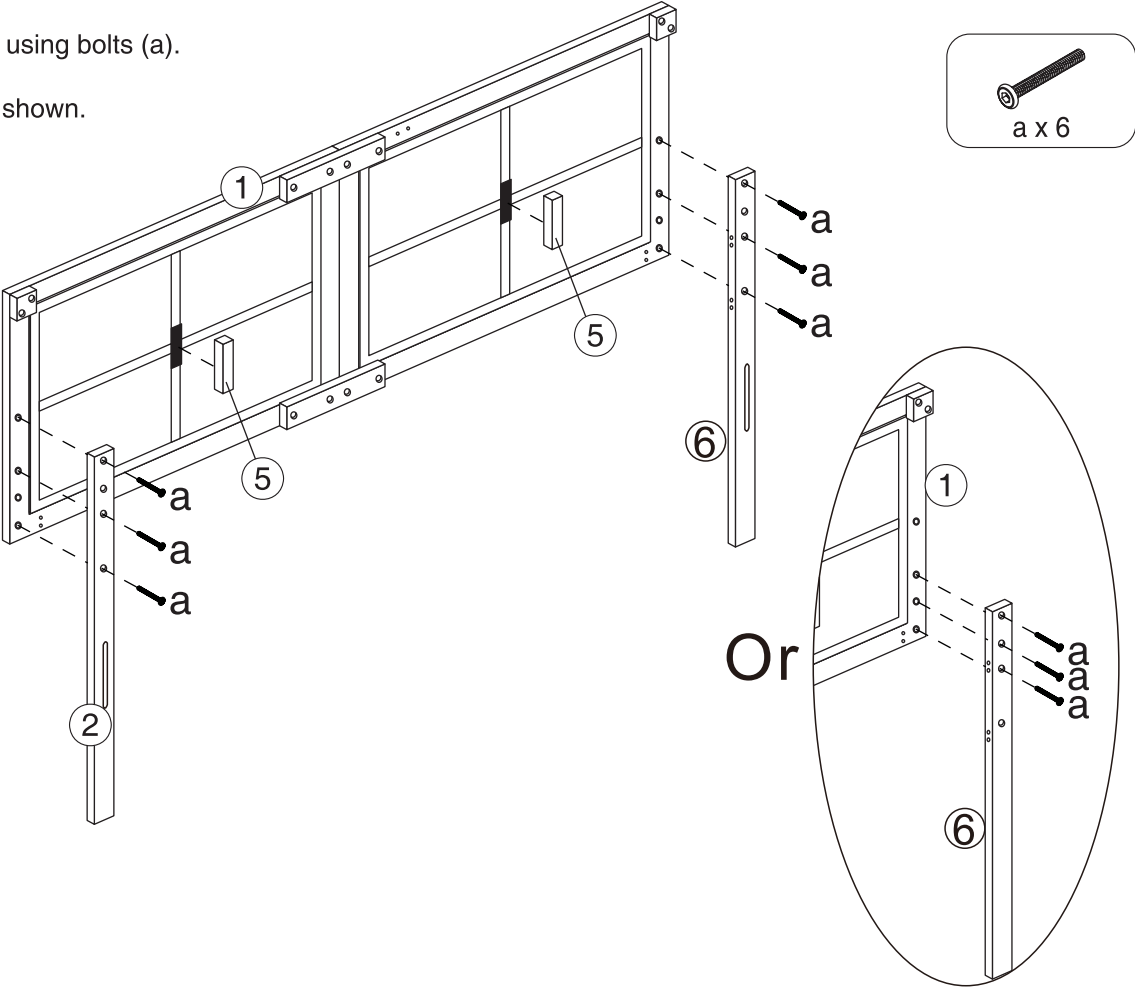


ASSEMBLY STEPS

STEP 3.

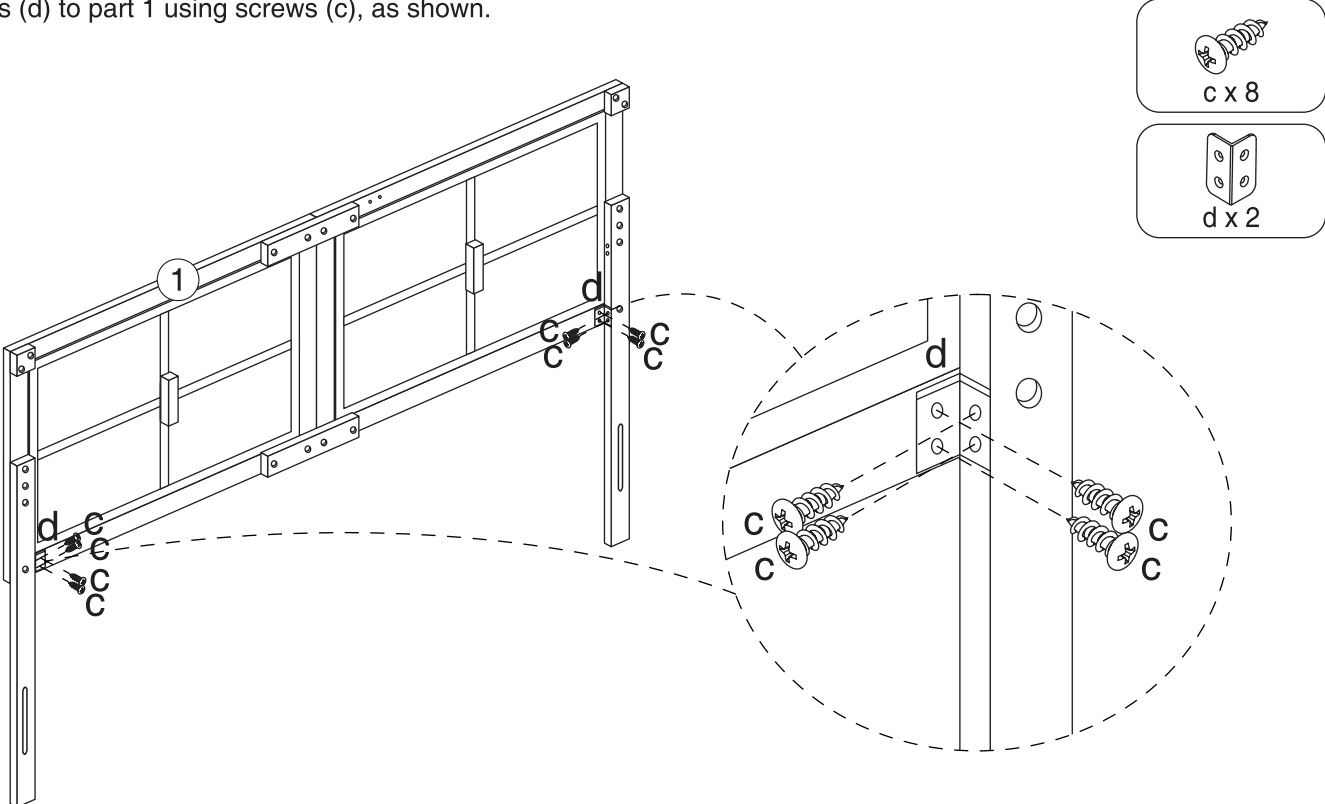
Fix parts 2 and 6 to part 1 using bolts (a).

Stick parts 5 to part 1, as shown.



STEP 4.

Fix hinges (d) to part 1 using screws (c), as shown.

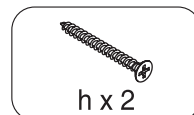
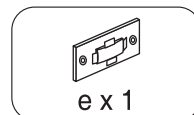
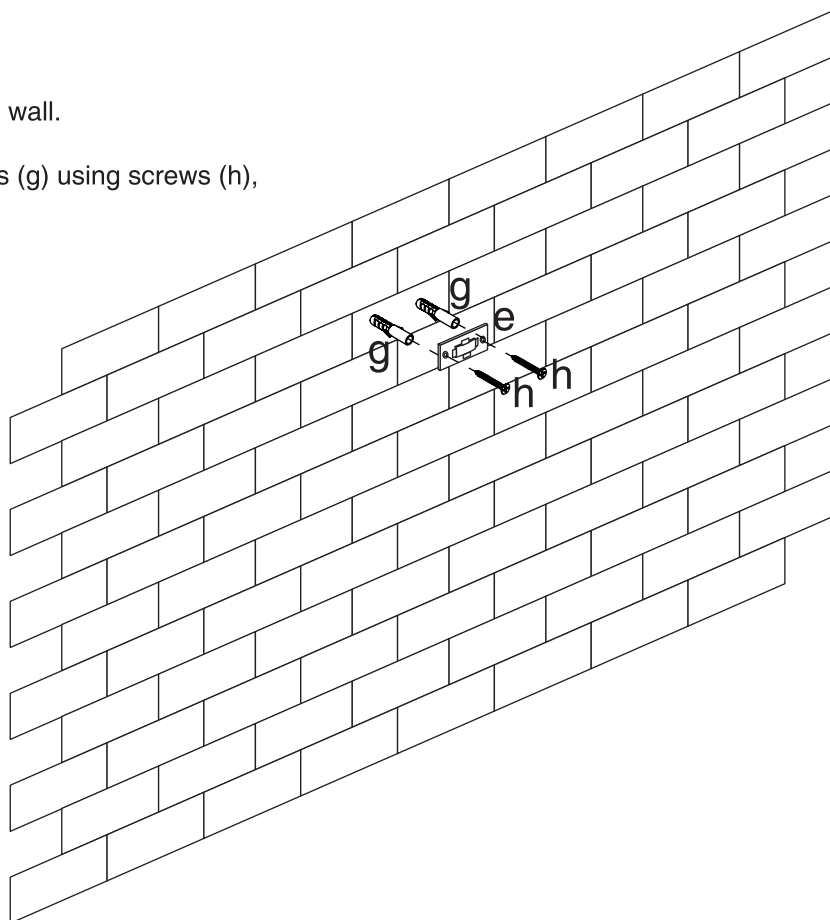


ASSEMBLY STEPS

STEP 5.

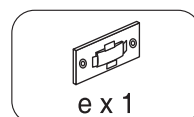
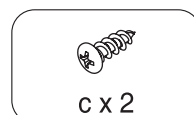
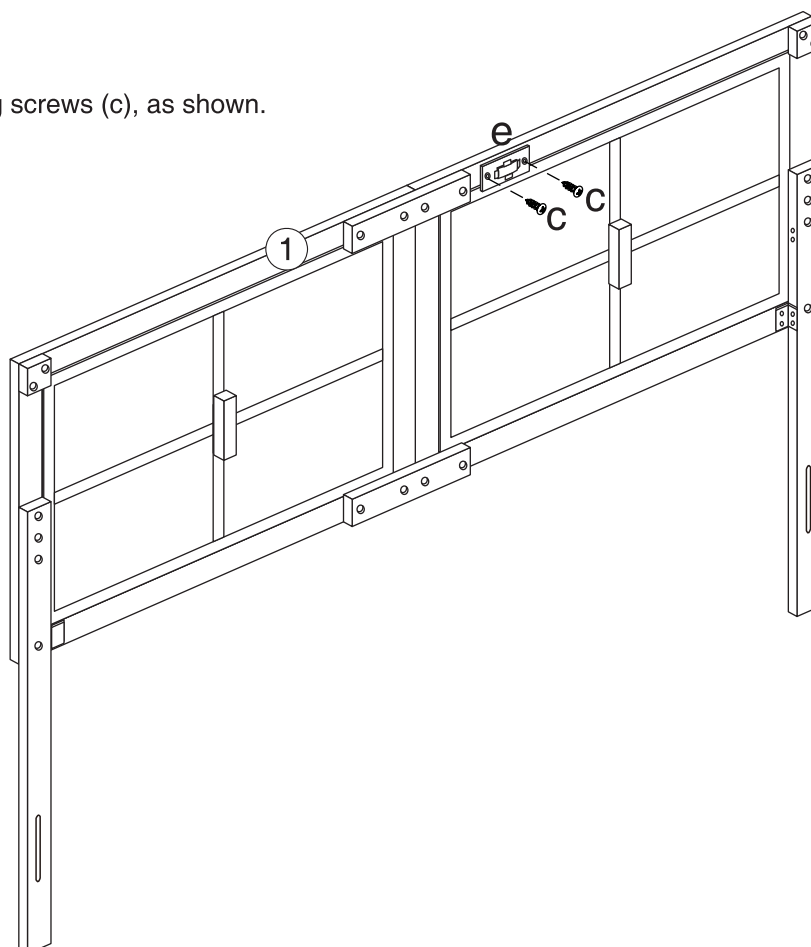
Fix wall plugs (g) into the wall.

Fix part (e) into wall plugs (g) using screws (h), as shown.



STEP 6.

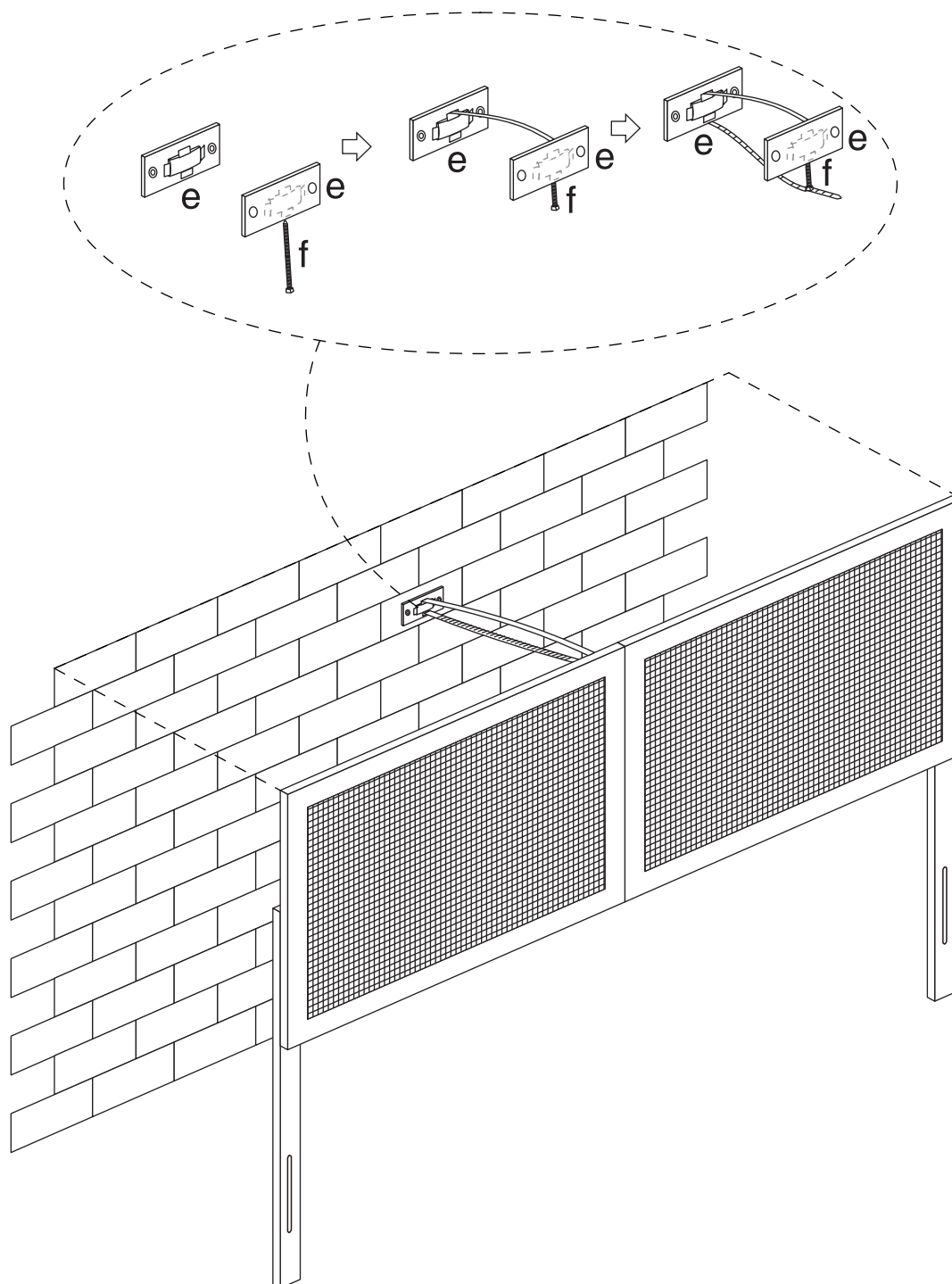
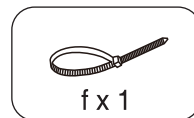
Fix part (e) to part 1 using screws (c), as shown.



ASSEMBLY STEPS

STEP 7.

Insert bolt (f) to part (e), as shown.



Your board is ready for use